



US00D781351S

(12) **United States Design Patent**
Upham

(10) **Patent No.:** **US D781,351 S**
(45) **Date of Patent:** **** Mar. 14, 2017**

- (54) **MOWER BLADE**
- (71) Applicant: **Blount, Inc.**, Portland, OR (US)
- (72) Inventor: **Matthew Upham**, Lee's Summit, MO (US)
- (73) Assignee: **Blount, Inc.**, Portland, OR (US)
- (**) Term: **15 Years**
- (21) Appl. No.: **29/536,529**
- (22) Filed: **Aug. 17, 2015**

- D482,700 S * 11/2003 Lancaster D15/17
- 7,299,612 B2 * 11/2007 Schuyler A01D 34/73
56/255
- D598,475 S * 8/2009 Roth D15/17
- D649,981 S * 12/2011 Roth D15/17
- D694,781 S * 12/2013 Roth D15/17
- D694,782 S * 12/2013 Roth D15/17
- 8,615,977 B2 * 12/2013 Campione A01D 34/005
56/295
- D710,396 S * 8/2014 Nie D15/17
- 8,935,909 B2 * 1/2015 Eavenson, Sr. A01D 34/73
56/255
- D758,456 S * 6/2016 Poole D15/17

* cited by examiner

Related U.S. Application Data

- (63) Continuation of application No. 13/366,017, filed on Feb. 3, 2012, now abandoned.
- (51) **LOC (10) Cl.** **15-03**
- (52) **U.S. Cl.**
USPC **D15/17**
- (58) **Field of Classification Search**
USPC D15/14-18, 28, 32; D8/4-12, 16, 20
CPC A01D 34/005; A01D 34/73; A01D 34/13;
A01D 34/40; A01D 34/10; A01D
34/73352; A01D 34/42; A01D 34/00;
A01D 34/826
See application file for complete search history.

Primary Examiner — Ian Simmons

Assistant Examiner — Khawaja Anwar

(74) *Attorney, Agent, or Firm* — Schwabe Williamson & Wyatt, P.C.

(57) **CLAIM**

I claim the ornamental design for a mower blade, as shown and described.

DESCRIPTION

FIG. 1 is a perspective view of a mower blade, showing my new design;
 FIG. 2 is a front view thereof;
 FIG. 3 is a back view thereof;
 FIG. 4 is a left side view thereof;
 FIG. 5 is a right side view thereof;
 FIG. 6 is a top view thereof; and,
 FIG. 7 is a bottom view thereof.

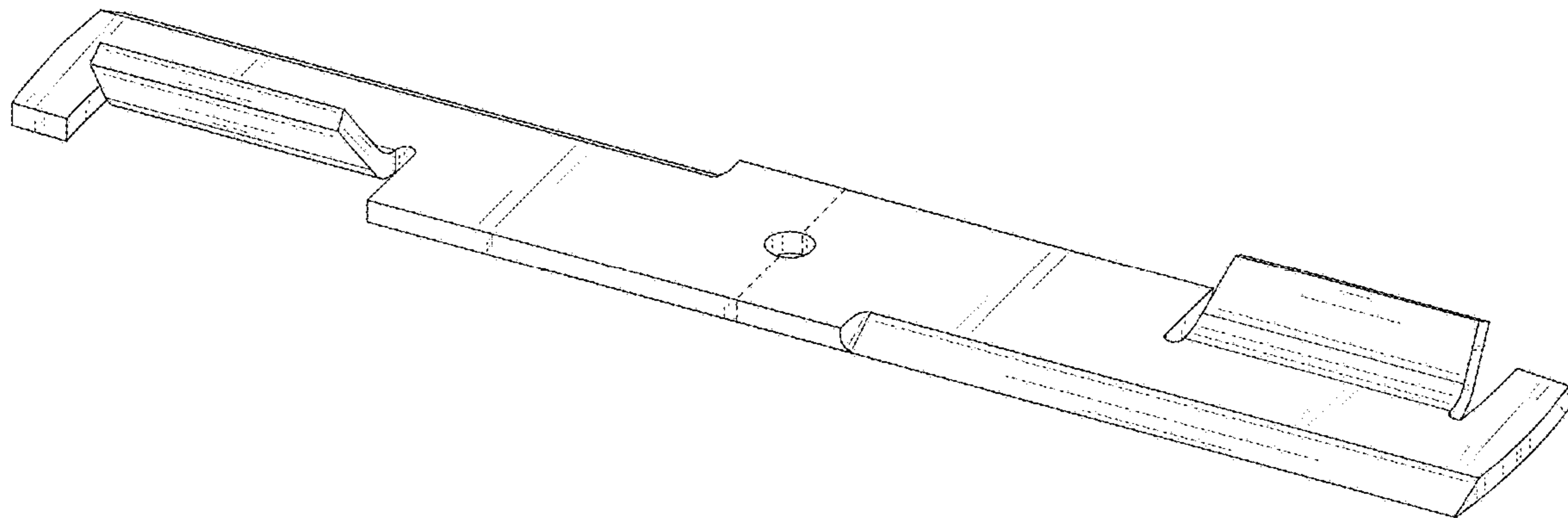
The dashed lines are included for illustrating environmental structure and form no part of the claimed design.

(56) **References Cited**

U.S. PATENT DOCUMENTS

- 4,686,819 A * 8/1987 Bryant A01D 34/005
56/295
- 6,415,591 B1 * 7/2002 Tylka, Sr. A01D 34/73
56/255

1 Claim, 4 Drawing Sheets



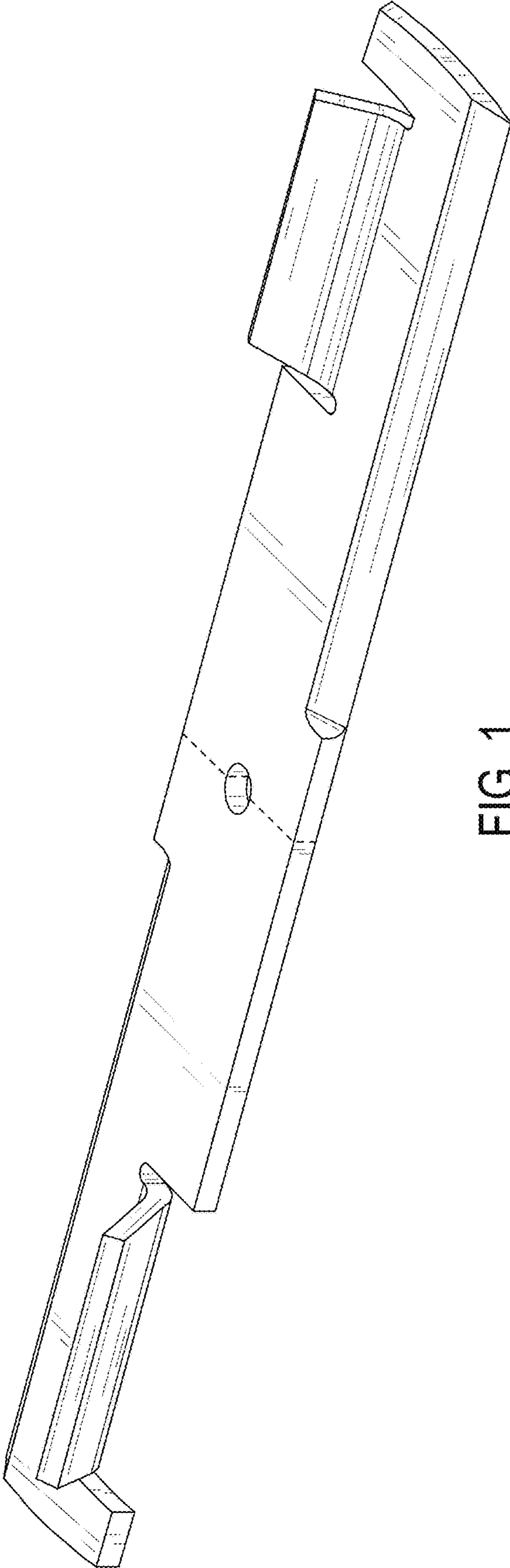


FIG. 1



FIG. 2



FIG. 3

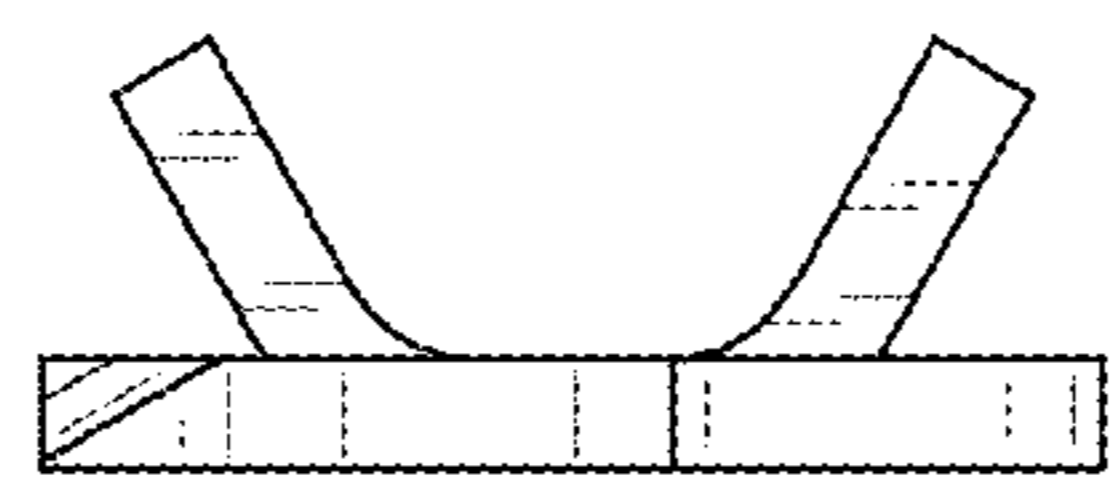


FIG. 4

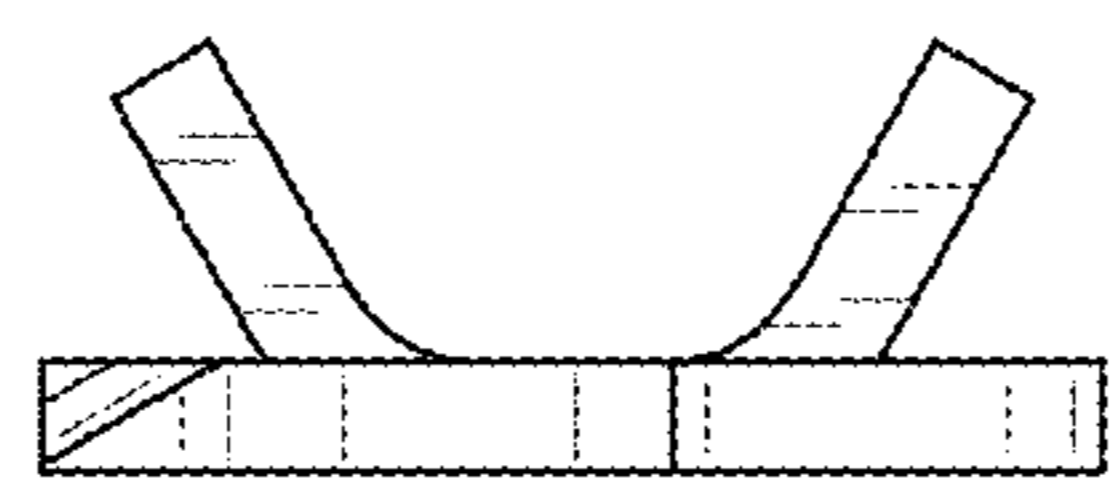


FIG. 5

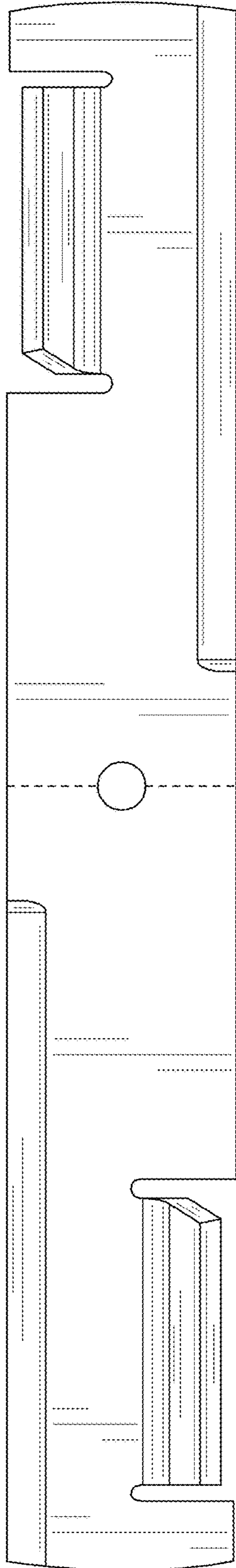


FIG. 6

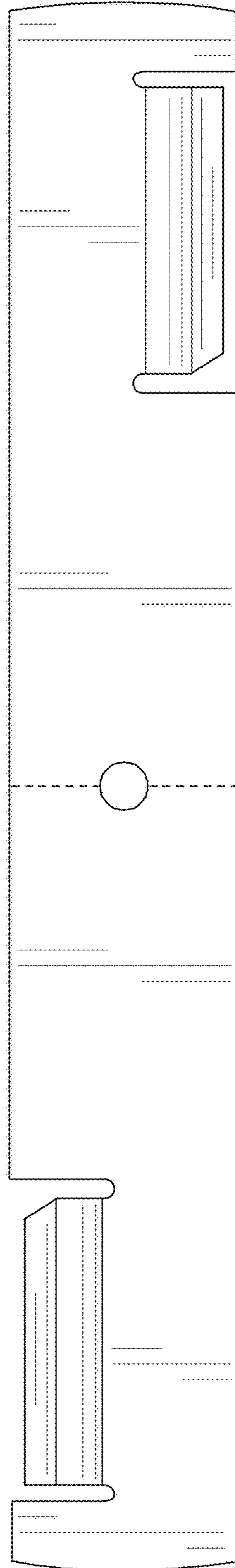


FIG. 7