



US00D781350S

(12) **United States Design Patent** (10) **Patent No.:** **US D781,350 S**
Alm, Sr. et al. (45) **Date of Patent:** **** Mar. 14, 2017**

(54) **MOWING APPARATUS**
(71) Applicant: **O-Sage Power Equipment LLC**,
Winnetka, IL (US)
(72) Inventors: **Keith L. Alm, Sr.**, Kansas City, MO
(US); **Keith L. Alm, Jr.**, Mooresville,
NC (US); **Jacob M. Latinsky**, Berkley,
MI (US); **Craig D. Witty**, Winnetka, IL
(US)
(73) Assignee: **O-SAGE POWER EQUIPMENT
LLC**, Winnetka, IL (US)
(**) Term: **15 Years**

(21) Appl. No.: **29/557,393**
(22) Filed: **Mar. 8, 2016**
(51) **LOC (10) Cl.** **15-03**
(52) **U.S. Cl.**
USPC **D15/16; D15/14; D15/17**
(58) **Field of Classification Search**
USPC ... D15/10, 14-18; 56/12.8, 12.7, 13.4, 16.7,
56/17.5, 202, 254, 255, 294, 11.4, 320.1,
56/320.2, 249, 252, 11.9, 17.1, 17.4, 295;
280/43.17
CPC A01D 2101/00; A01D 34/52; A01D 34/43;
A01D 34/00; A01D 34/49; A01D 34/62;
A01D 34/47; A01D 57/01
See application file for complete search history.

(56) **References Cited**
U.S. PATENT DOCUMENTS
D137,930 S * 5/1944 Schofield 56/249
D178,596 S * 8/1956 Cole et al. D15/16

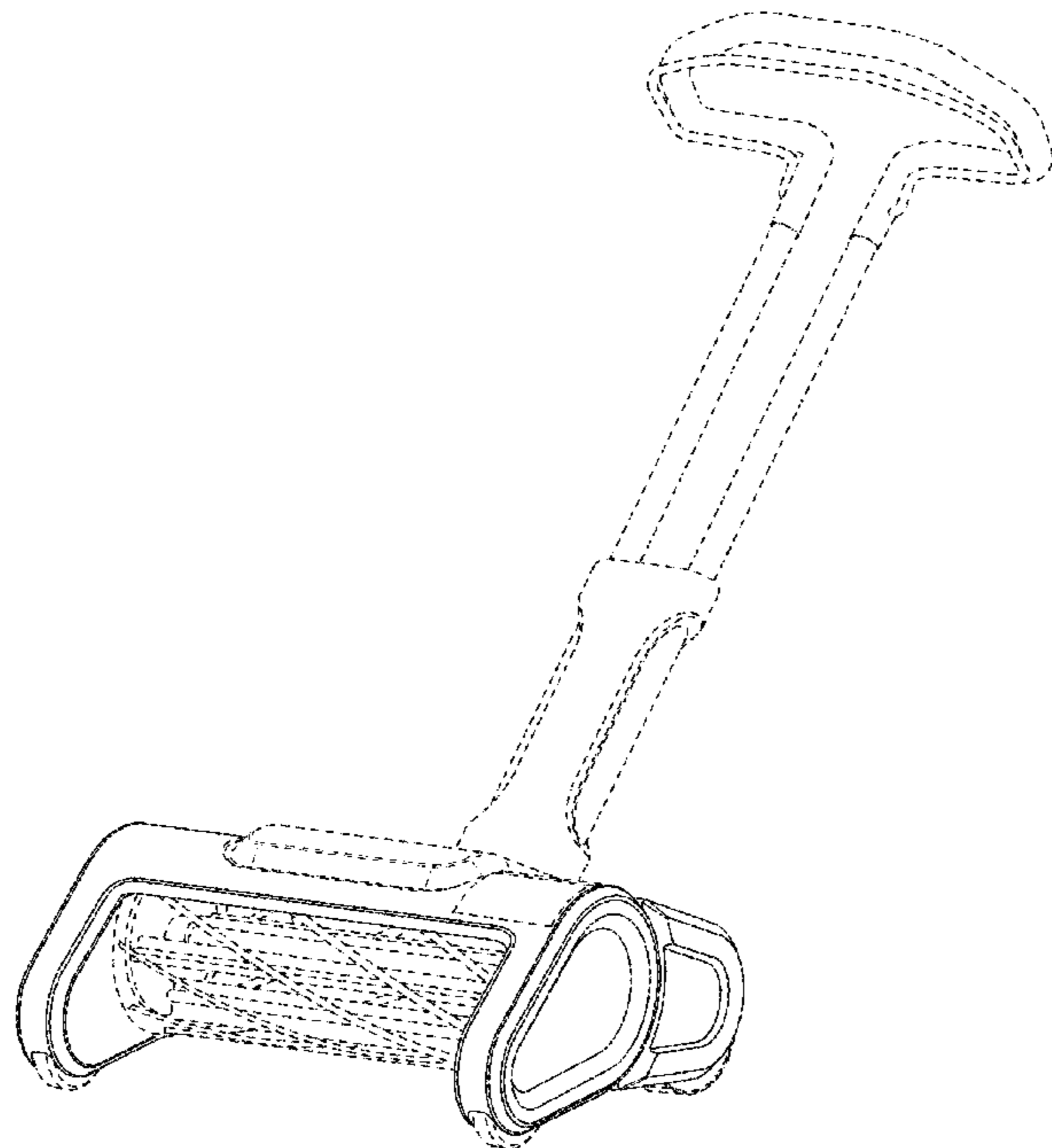
D284,766 S * 7/1986 Chai D15/14
D309,310 S * 7/1990 Fushiya D15/14
D382,884 S * 8/1997 Redman D15/14
D509,513 S * 9/2005 Henssler D15/14
D511,348 S * 11/2005 Elsworthy D15/14
D514,129 S * 1/2006 Henssler D15/14
D514,130 S * 1/2006 Henssler D15/14
D517,093 S * 3/2006 Henssler D15/14
D651,217 S * 12/2011 Stokes D15/17
D651,218 S * 12/2011 Stokes D15/17

* cited by examiner
Primary Examiner — Mark Goodwin
(74) *Attorney, Agent, or Firm* — Greer Burns & Crain,
Ltd.

(57) **CLAIM**
The ornamental design for the mowing apparatus, as shown
and described.

DESCRIPTION
FIG. 1 is a front, right-side perspective view of the present
mowing apparatus;
FIG. 2 is a top view of same;
FIG. 3 is a right-side view of the mowing apparatus of FIG.
1;
FIG. 4 is a left-side view of the mowing apparatus of FIG.
1;
FIG. 5 is a front view of same; and,
FIG. 6 is a rear view of same.
The broken lines in FIGS. 1-6 represent portions of the
mowing apparatus that form no part of the claimed design.

1 Claim, 6 Drawing Sheets



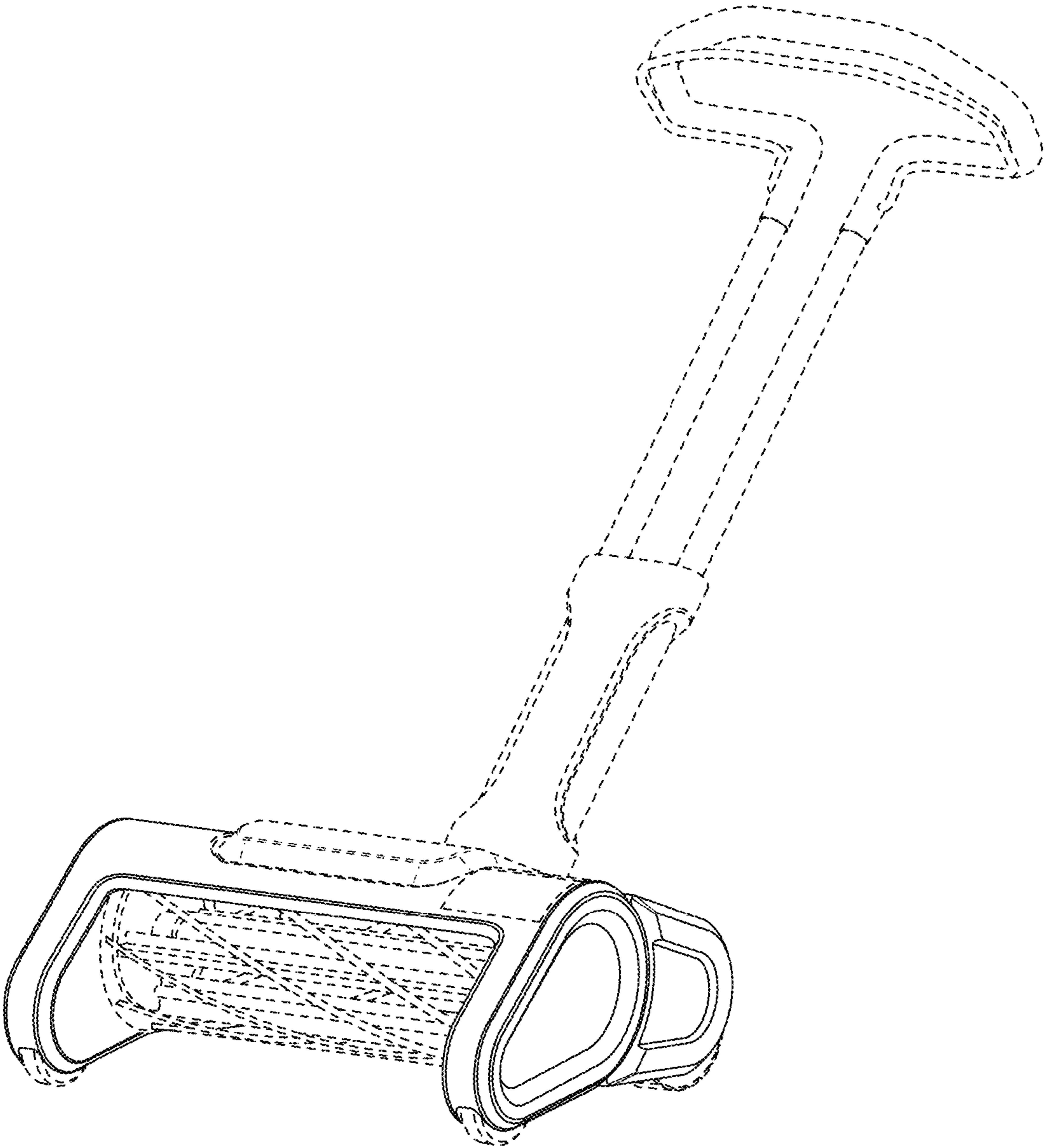


FIG. 1

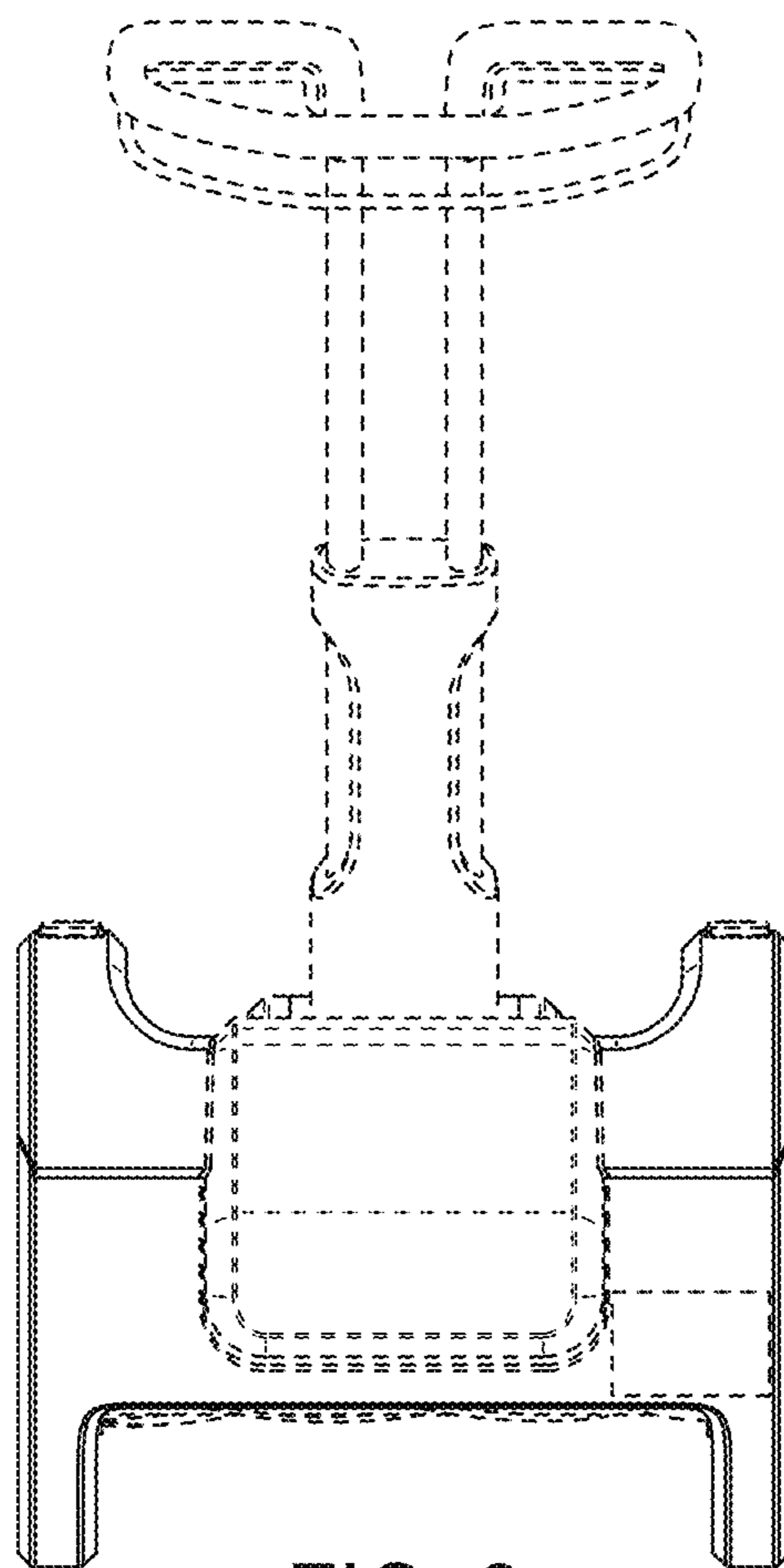


FIG. 2

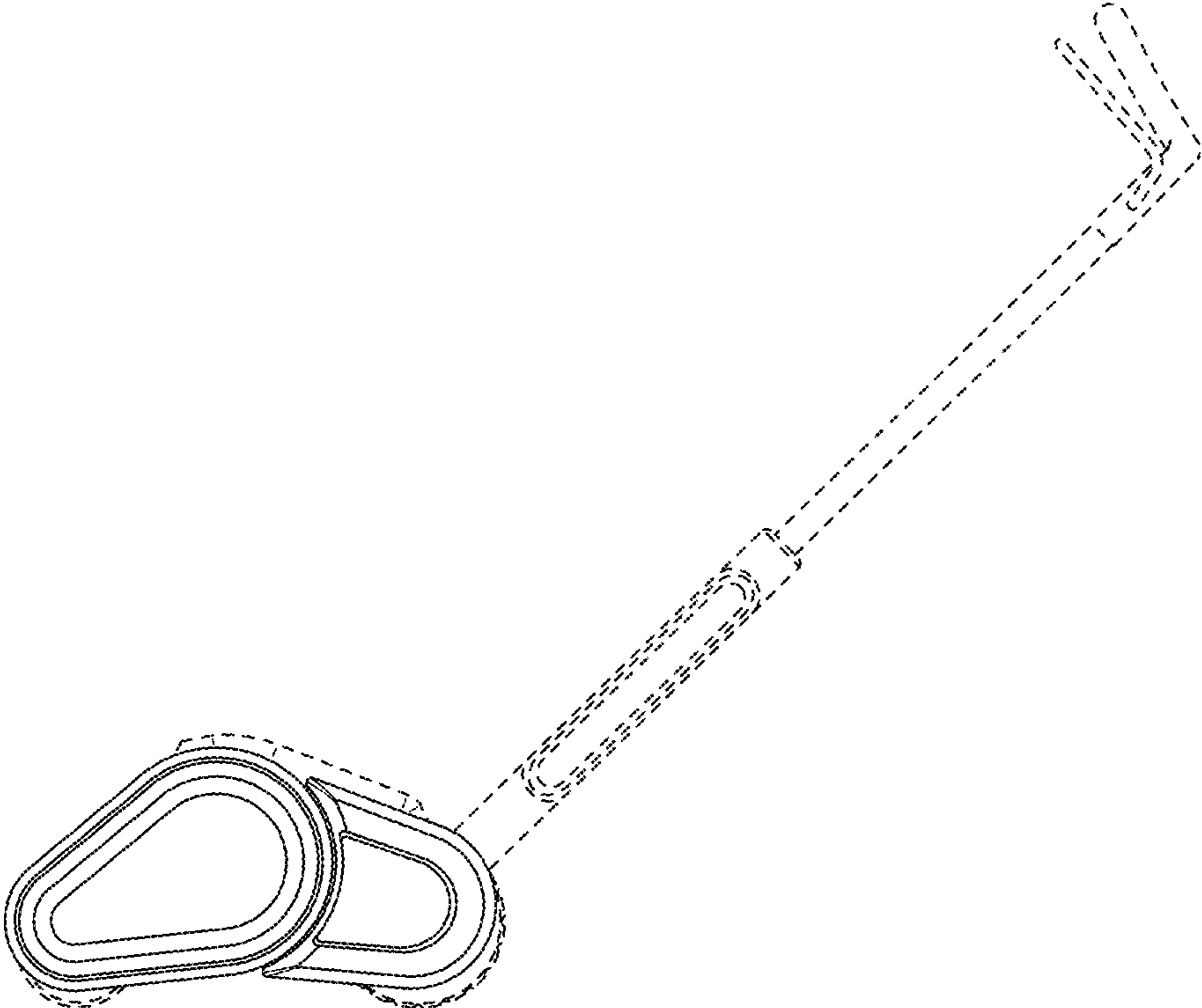


FIG. 3

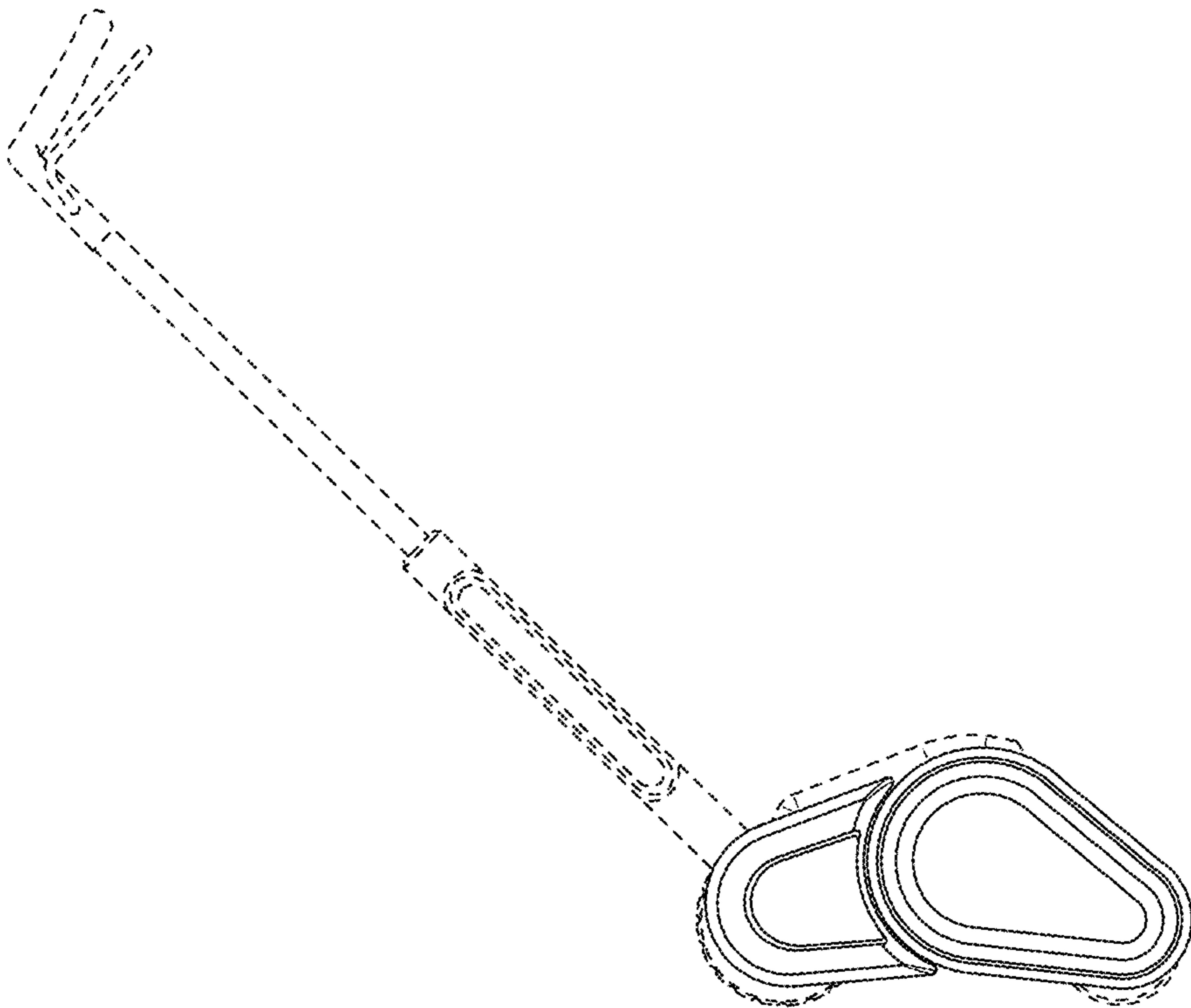


FIG. 4

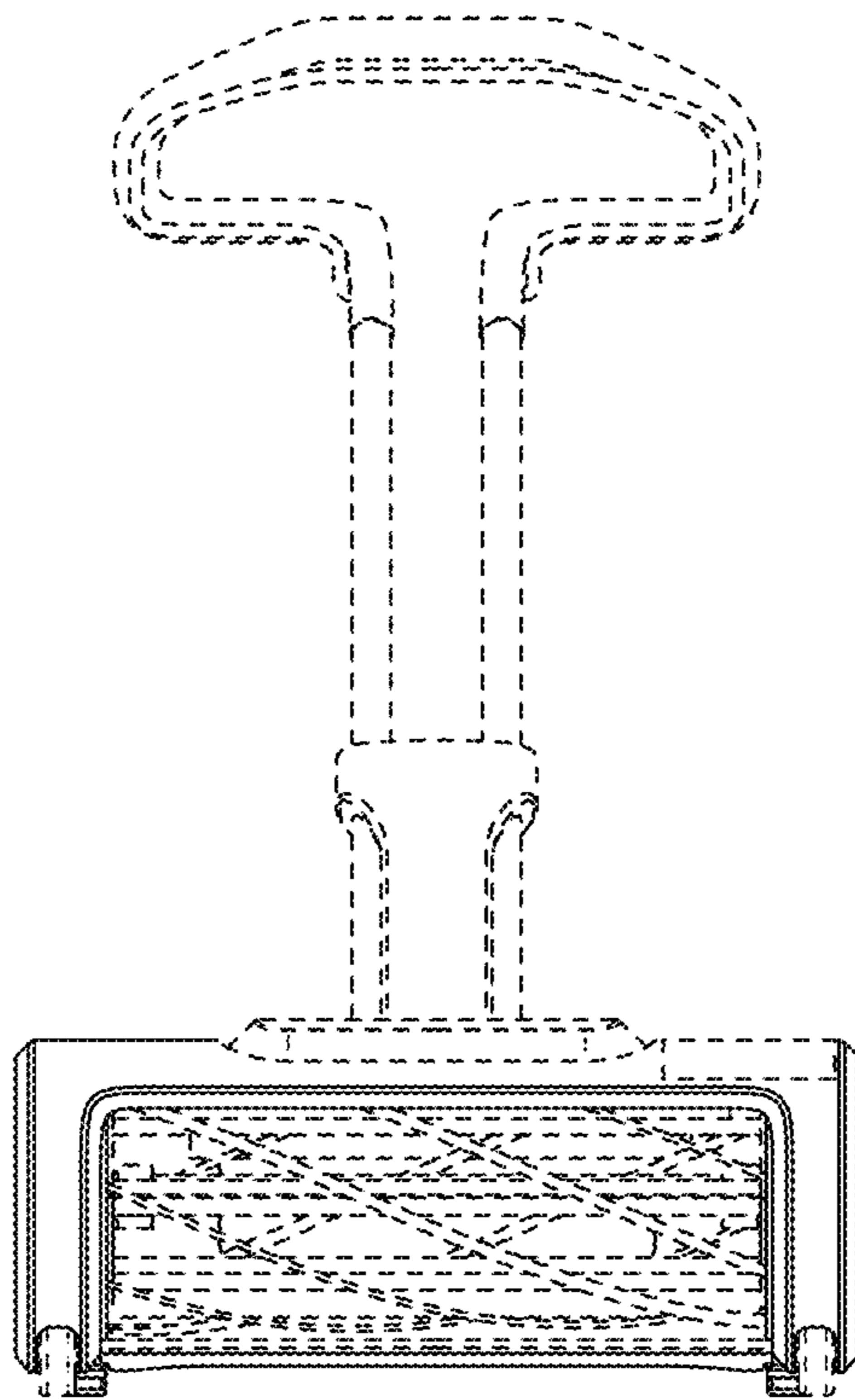


FIG. 5

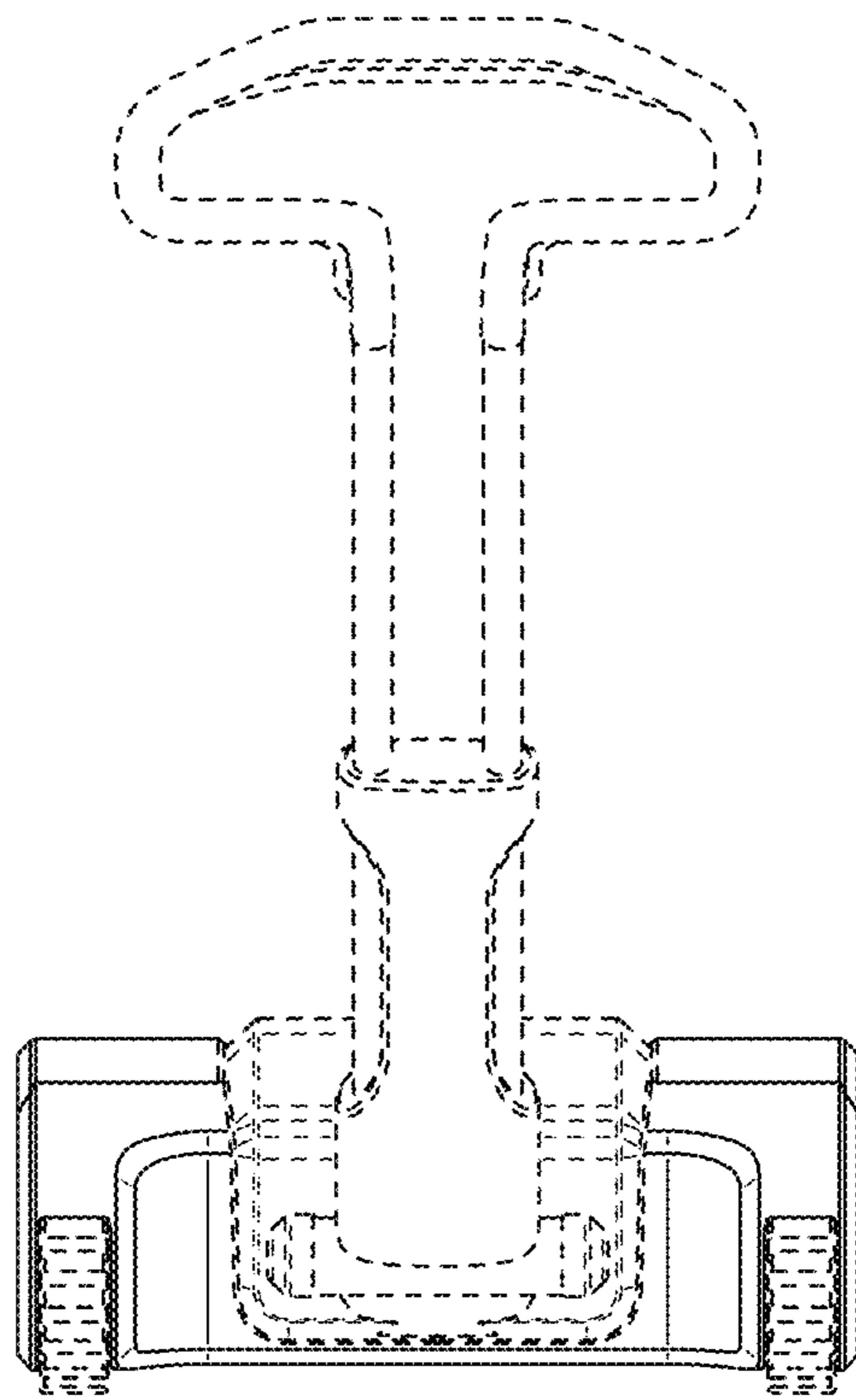


FIG. 6