



US00D781349S

(12) **United States Design Patent**
Cmich

(10) **Patent No.:** **US D781,349 S**
(45) **Date of Patent:** **** Mar. 14, 2017**

- (54) **ROBOTIC MOWER HOUSING**
- (71) Applicant: **MTD Products Inc**, Valley City, OH (US)
- (72) Inventor: **Ryan Cmich**, Sharon Township, OH (US)
- (73) Assignee: **MTD Products Inc**, Valley City, OH (US)

6,321,515	B1	11/2001	Colens	
D451,931	S *	12/2001	Abramson	D15/14
6,327,741	B1	12/2001	Reed	
6,339,735	B1	1/2002	Peless et al.	
6,493,613	B2	12/2002	Peless et al.	
D504,901	S *	5/2005	Wickstrom	D15/14
7,079,923	B2	7/2006	Abramson et al.	
D559,867	S *	1/2008	Abramson	D15/14
7,444,206	B2	10/2008	Abramson et al.	
7,613,543	B2	11/2009	Petersson et al.	
7,668,631	B2	2/2010	Bernini	

(Continued)

(**) Term: **15 Years**

FOREIGN PATENT DOCUMENTS

- (21) Appl. No.: **29/554,828**
- (22) Filed: **Feb. 16, 2016**
- (51) **LOC (10) Cl.** **15-03**
- (52) **U.S. Cl.**
USPC **D15/14; D15/17**
- (58) **Field of Classification Search**
USPC ... D15/14, 17, 18; 56/11.9, 17.5, 13.4, 12.8, 56/16.7, 202, 255, 294, 295, 320.1, 320.2; 180/900, 89.1, 89.12
CPC A01D 34/008; A01D 34/81; A01D 34/416; A01D 34/4166; A01D 34/4167; A01D 34/87; A01D 34/90; B60L 1/003; B60L 3/0061; B60L 11/1803; B60L 11/1805; B60L 11/1877; B60L 15/20; B60L 2260/28; B60L 2200/40; B60L 2220/16; B60L 2220/46; B60L 2240/36; B60L 2240/421; A01G 3/04; A01G 3/0435
See application file for complete search history.

EP	2648307	A1	10/2013
EP	2656718	A1	10/2013
EP	2852029	A1	3/2015

Primary Examiner — Mark Goodwin
(74) *Attorney, Agent, or Firm* — Wegman, Hessler & Vanderburg

(57) **CLAIM**

We claim the ornamental design for a robotic mower housing, as shown and described.

DESCRIPTION

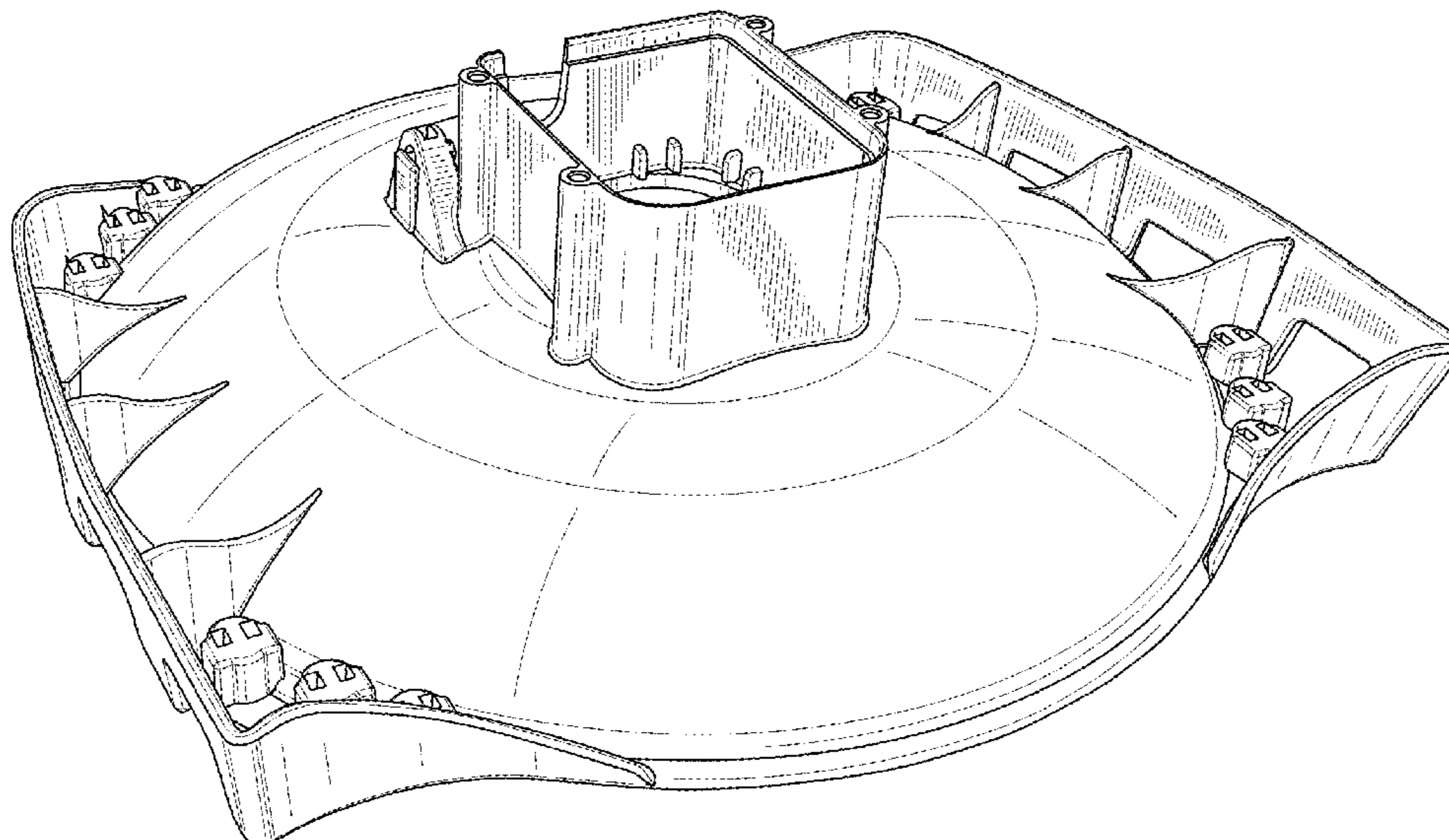
FIG. 1 is a top perspective view of a robotic mower housing showing my new design;
 FIG. 2 is a bottom perspective view thereof;
 FIG. 3 is a right side view thereof;
 FIG. 4 is a left side view thereof;
 FIG. 5 is a rear view thereof;
 FIG. 6 is a front view thereof;
 FIG. 7 is a top view; and,
 FIG. 8 is a bottom view.

The ornamental design which is claimed is shown in solid lines in the drawings. Any broken lines in the drawings are for illustrative purposes only and form no part of the claimed design.

(56) **References Cited**
U.S. PATENT DOCUMENTS

D245,502	S *	8/1977	Oscarsson	D15/17
D250,337	S *	11/1978	Williams	D15/17
4,313,297	A	2/1982	Maier	
5,204,814	A	4/1993	Noonan et al.	
D420,365	S *	2/2000	Gunnar	D15/14

1 Claim, 8 Drawing Sheets



(56)

References Cited

U.S. PATENT DOCUMENTS

7,703,268 B2 4/2010 Yanke
7,729,801 B2 6/2010 Abramson
7,769,490 B2 8/2010 Abramson et al.
8,046,103 B2 10/2011 Abramson et al.
D652,431 S * 1/2012 Naslund D15/14
D656,163 S * 3/2012 Johansson D15/14
8,136,333 B1 3/2012 Levin et al.
8,239,992 B2 8/2012 Schnittman et al.
D678,352 S * 3/2013 Maeda D15/14
D679,294 S * 4/2013 Tajik D15/14
D679,295 S * 4/2013 Tajik D15/14
D681,065 S * 4/2013 Maeda D15/14
8,428,776 B2 4/2013 Letsky
8,452,450 B2 5/2013 Dooley et al.
D688,276 S * 8/2013 Naslund D15/14
8,532,822 B2 9/2013 Abramson et al.
8,600,582 B2 12/2013 Bernini
8,676,378 B2 3/2014 Tian et al.
8,818,602 B2 8/2014 Yamamura et al.
8,868,237 B2 10/2014 Sandin et al.
D718,339 S * 11/2014 Damshak D15/14
8,983,693 B2 3/2015 Yamamura et al.
D729,280 S * 5/2015 Naslund D15/14
2006/0150361 A1 7/2006 Aldred et al.
2011/0234153 A1 9/2011 Abramson
2013/0211646 A1 8/2013 Yamamura et al.
2013/0211647 A1 8/2013 Yamamura et al.
2013/0317680 A1 11/2013 Yamamura et al.
2014/0031979 A1 1/2014 Borinato et al.
2014/0058611 A1 2/2014 Borinato
2014/0324269 A1 10/2014 Abramson et al.
2016/0081269 A1 3/2016 Gottinger et al.

* cited by examiner

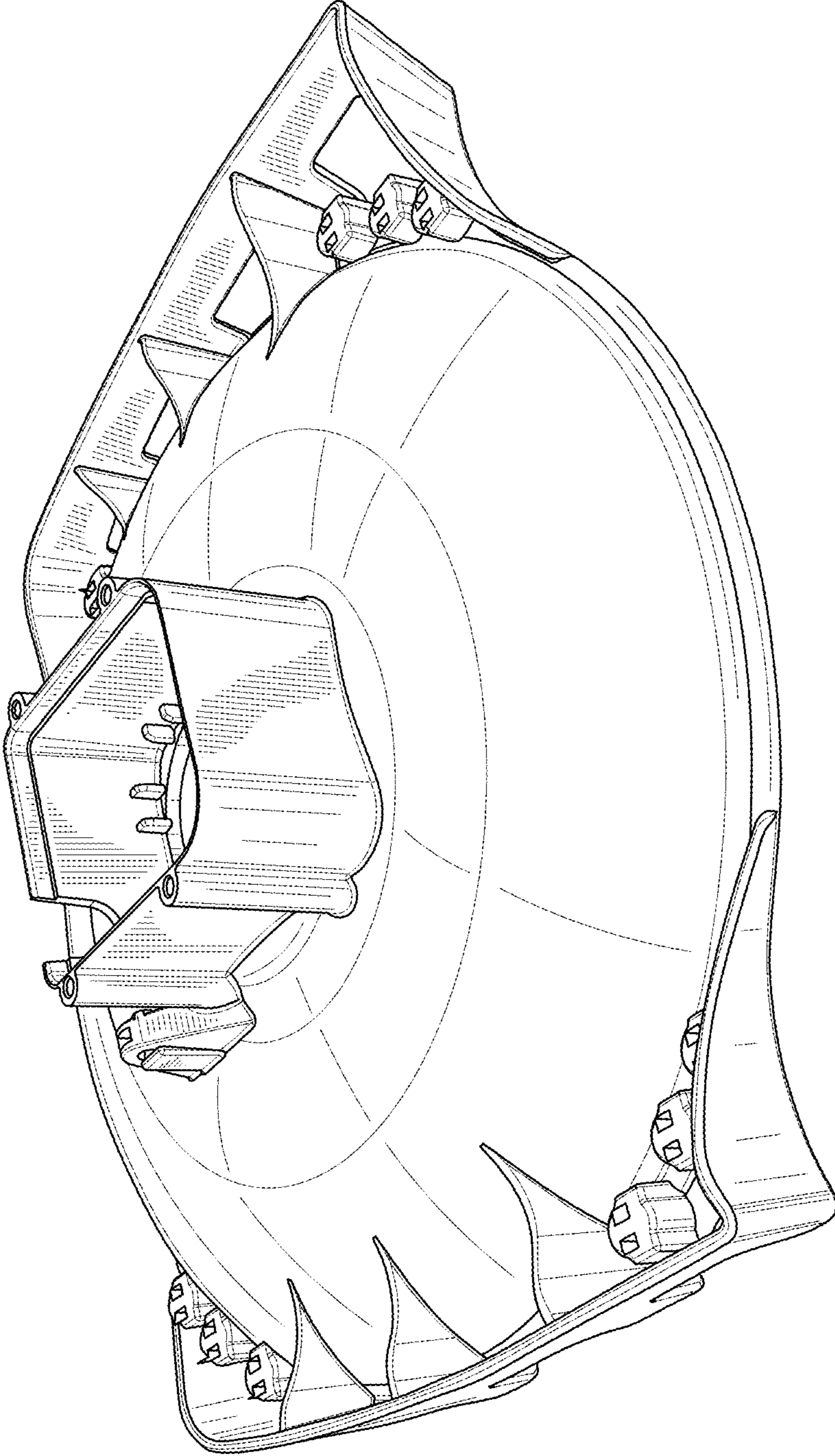


FIG. 1

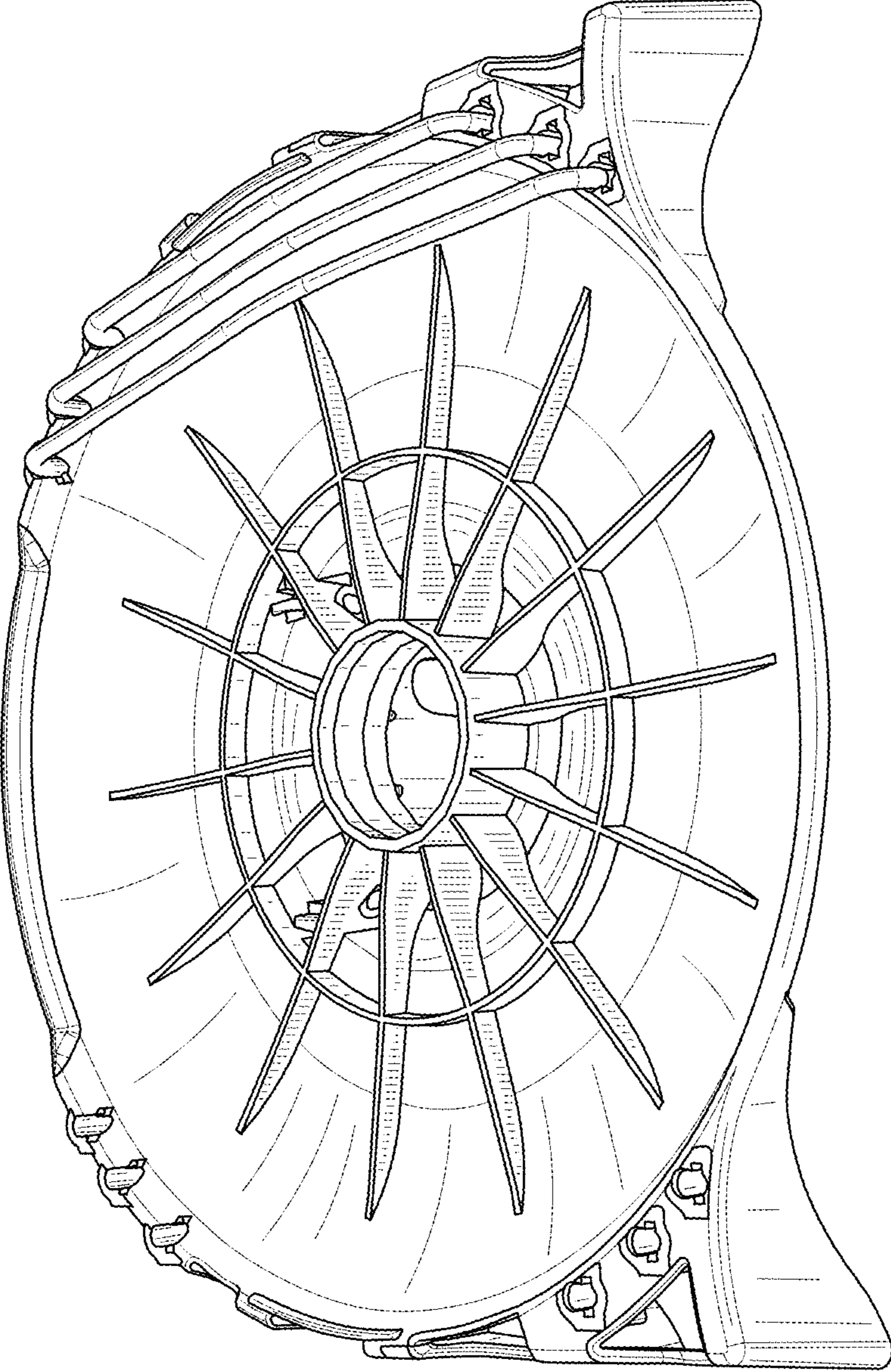


FIG. 2

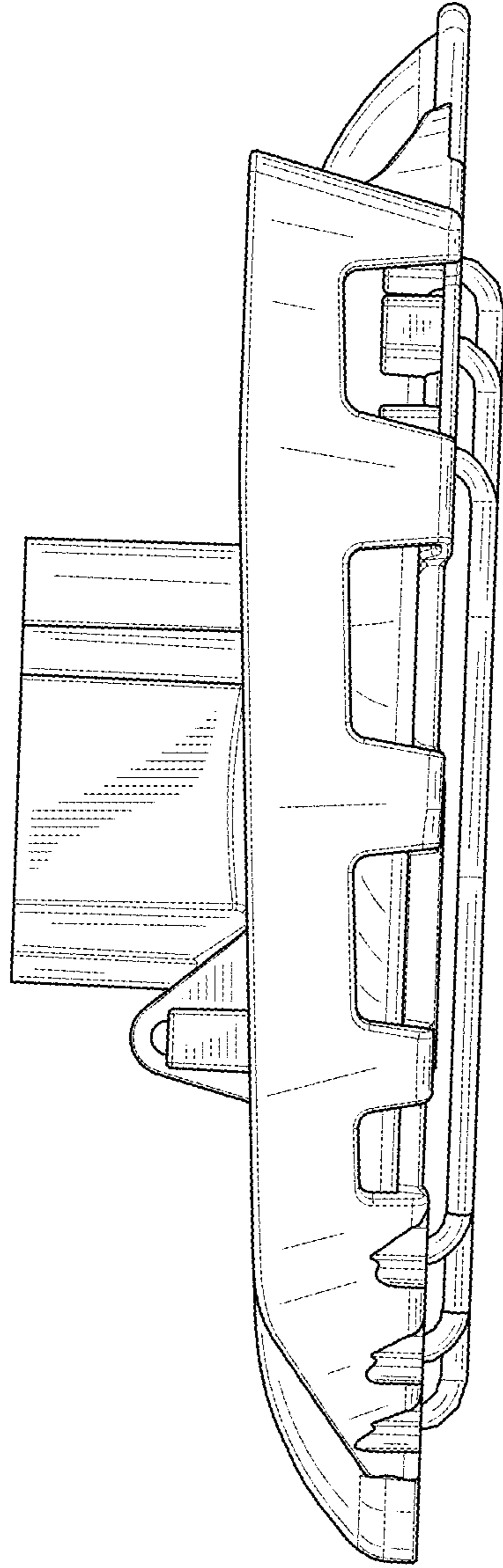


FIG. 3

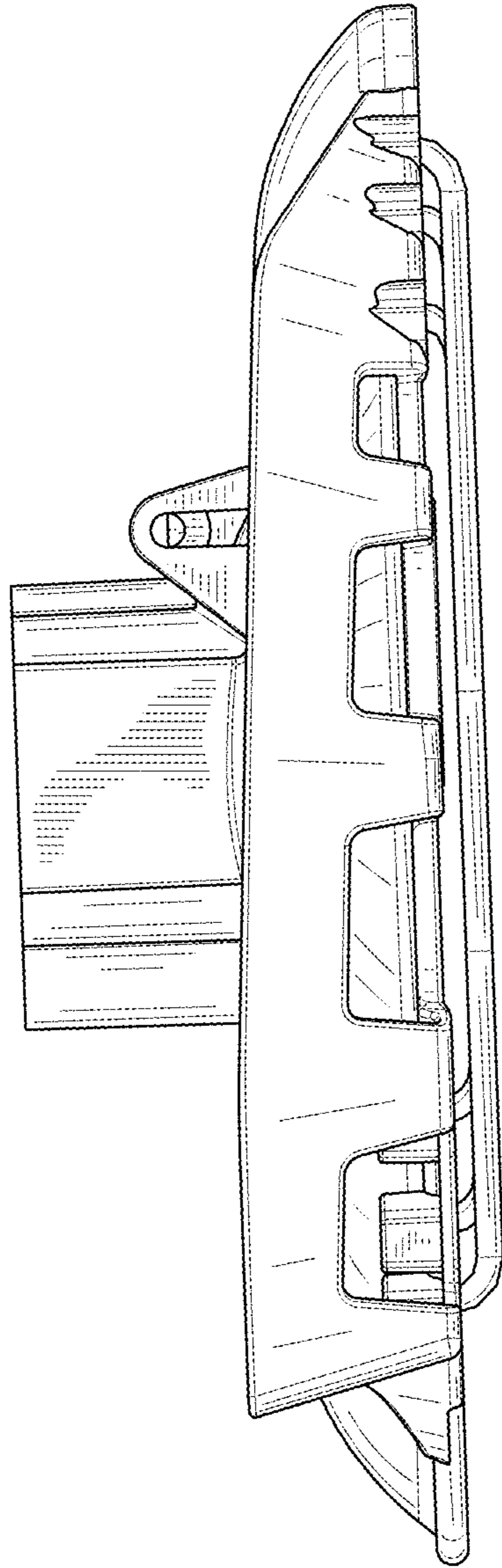


FIG. 4

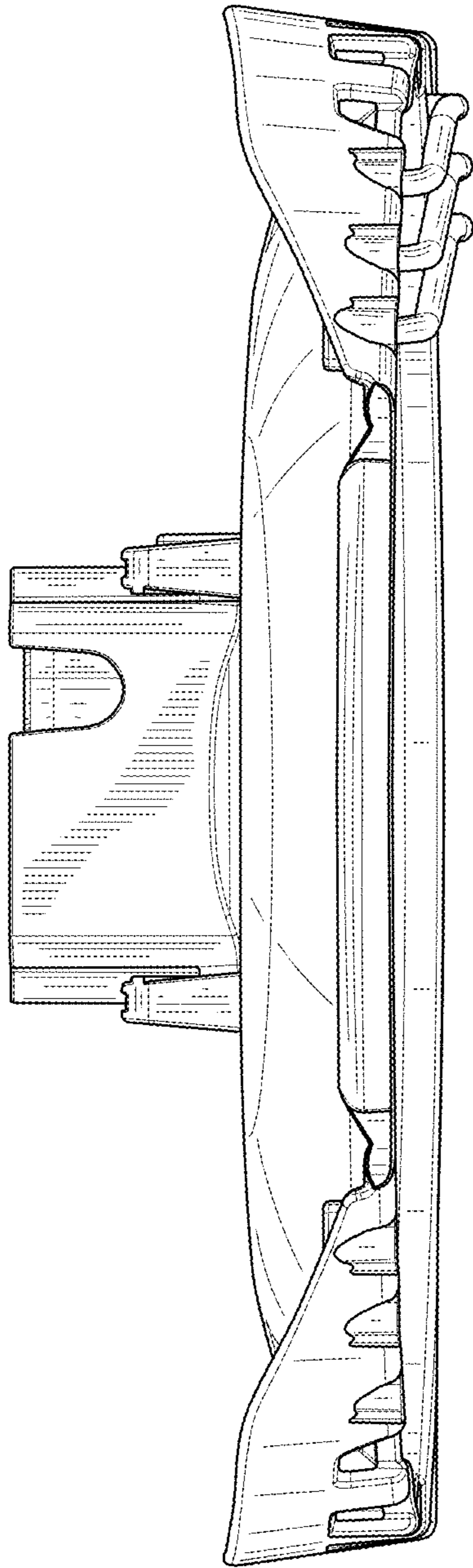


FIG. 5

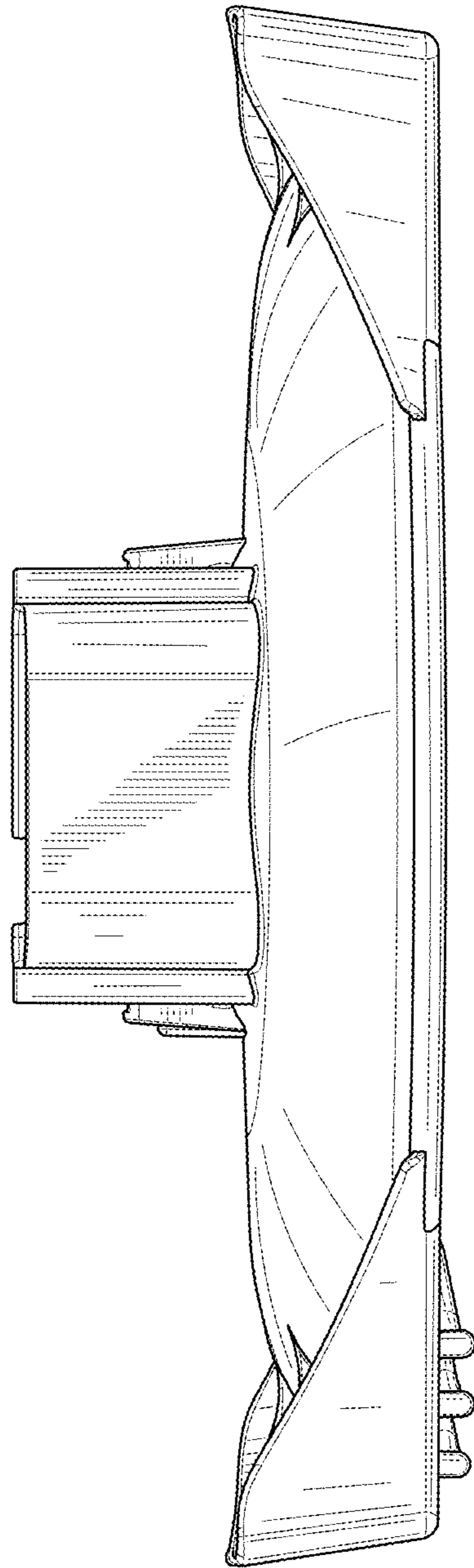


FIG. 6

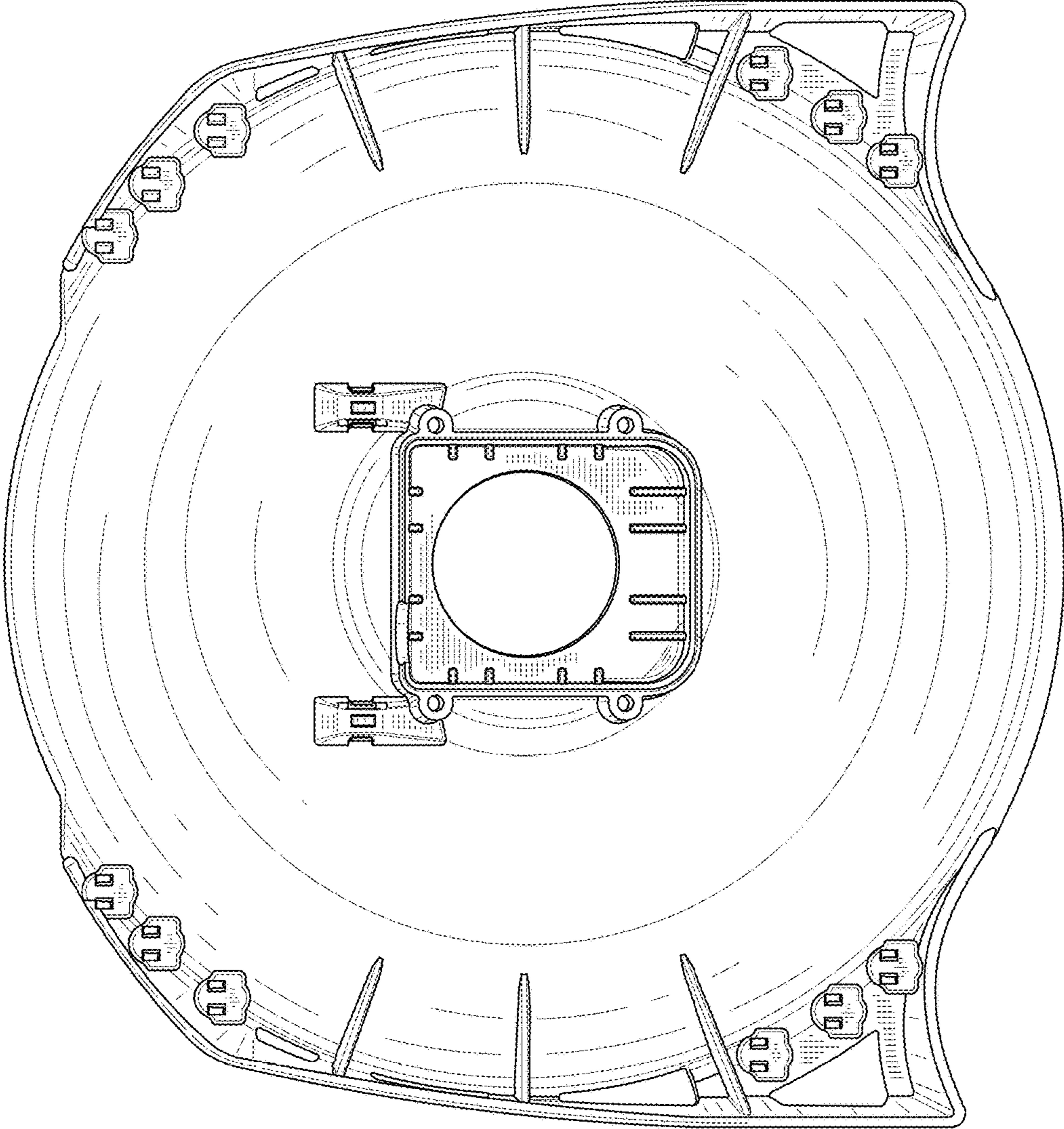


FIG. 7

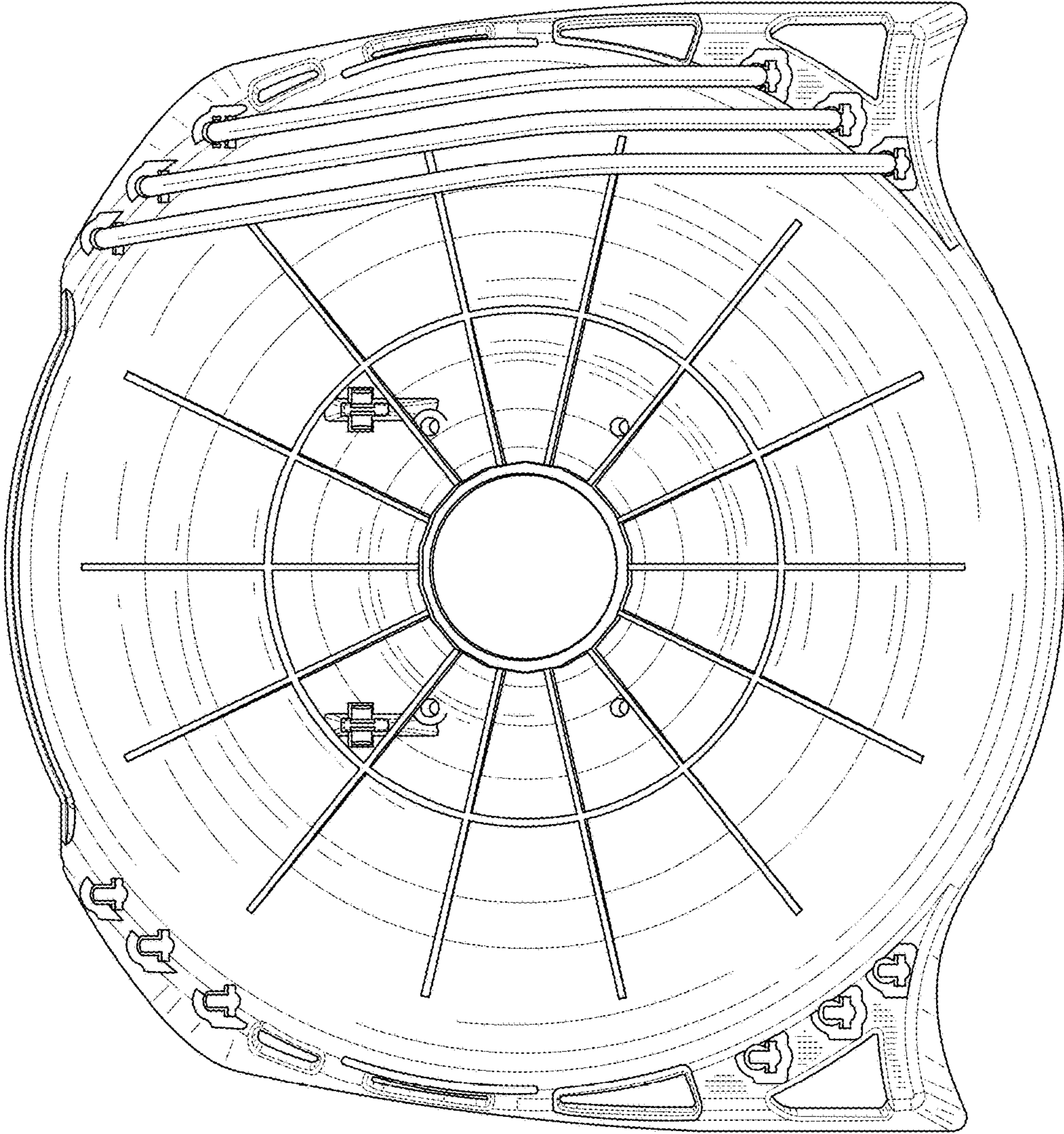


FIG. 8