



US00D781348S

(12) **United States Design Patent**
Pellenc

(10) **Patent No.:** **US D781,348 S**

(45) **Date of Patent:** **** Mar. 14, 2017**

(54) **LAWN MOWER**

(71) Applicant: **PELLENC**, Pertuis (FR)

(72) Inventor: **Roger Pellenc**, Pertuis (FR)

(73) Assignee: **PELLENC**, Pertuis (FR)

(**) Term: **15 Years**

(21) Appl. No.: **29/549,678**

(22) Filed: **Dec. 28, 2015**

(51) **LOC (10) Cl.** **15-03**

(52) **U.S. Cl.**
USPC **D15/14**

(58) **Field of Classification Search**
USPC ... D15/10, 14-18; 56/12.8, 12.7, 13.4, 16.7,
56/17.5, 202, 254, 255, 294, 11.4, 320.1,
56/320.2, 249, 252, 11.9, 17.1, 17.4, 295;
280/43.17

CPC A01D 42/04; A01D 42/00; A01D 2101/00;
A01D 34/63; A01D 43/063

See application file for complete search history.

(56) **References Cited**

U.S. PATENT DOCUMENTS

4,149,363	A *	4/1979	Woelffer	A01D 43/063
					56/16.6
4,399,647	A *	8/1983	Soldavini	A01D 43/063
					56/202
D424,070	S *	5/2000	Danthois	D15/14
D426,836	S *	6/2000	Sirois	D15/14
D497,918	S *	11/2004	Osborne	D15/14
D500,054	S *	12/2004	Jager	D15/14
D508,923	S *	8/2005	Henssler	D15/14
D508,924	S *	8/2005	Henssler	D15/14

D544,501	S *	6/2007	Chung Lee	D15/14
D620,029	S *	7/2010	Baetica	D15/14
D620,030	S *	7/2010	Baetica	D15/14
D628,598	S *	12/2010	Neeley	D15/14
D646,698	S *	10/2011	Park	D15/14
D648,354	S *	11/2011	Hattori	D15/14
D652,846	S *	1/2012	Stratford	D15/14
D653,265	S *	1/2012	Stratford	D15/14
D665,823	S *	8/2012	Hannig	D15/14
D723,068	S *	2/2015	Qiu	D15/14
D725,155	S *	3/2015	McKay	D15/14
D726,227	S *	4/2015	Aglassinger	D15/14

* cited by examiner

Primary Examiner — Mark Goodwin

(74) *Attorney, Agent, or Firm* — Egbert Law Offices, PLLC

(57) **CLAIM**

The ornamental design for a lawn mower, as shown and described.

DESCRIPTION

FIG. 1 is a front perspective view of a lawn mower showing my new design.

FIG. 2 is a side view thereof;

FIG. 3 is an opposite side view thereof;

FIG. 4 is a front view thereof;

FIG. 5 is a rear view thereof;

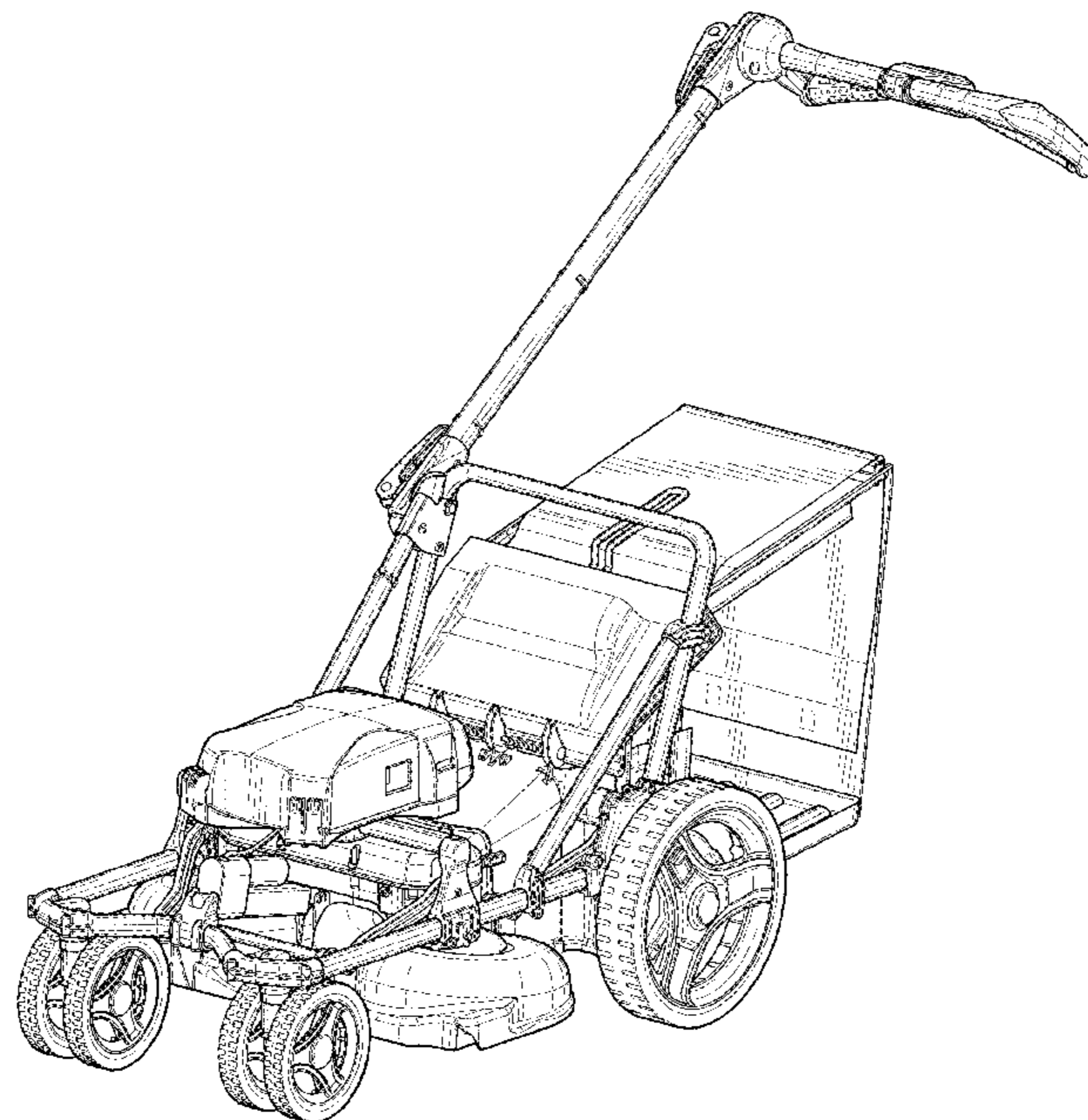
FIG. 6 is a top view thereof;

FIG. 7 is a bottom view thereof; and,

FIG. 8 is a rear perspective view thereof.

The features presented in broken lines represent unclaimed portions of the lawn mower and form no part of the claimed design.

1 Claim, 7 Drawing Sheets



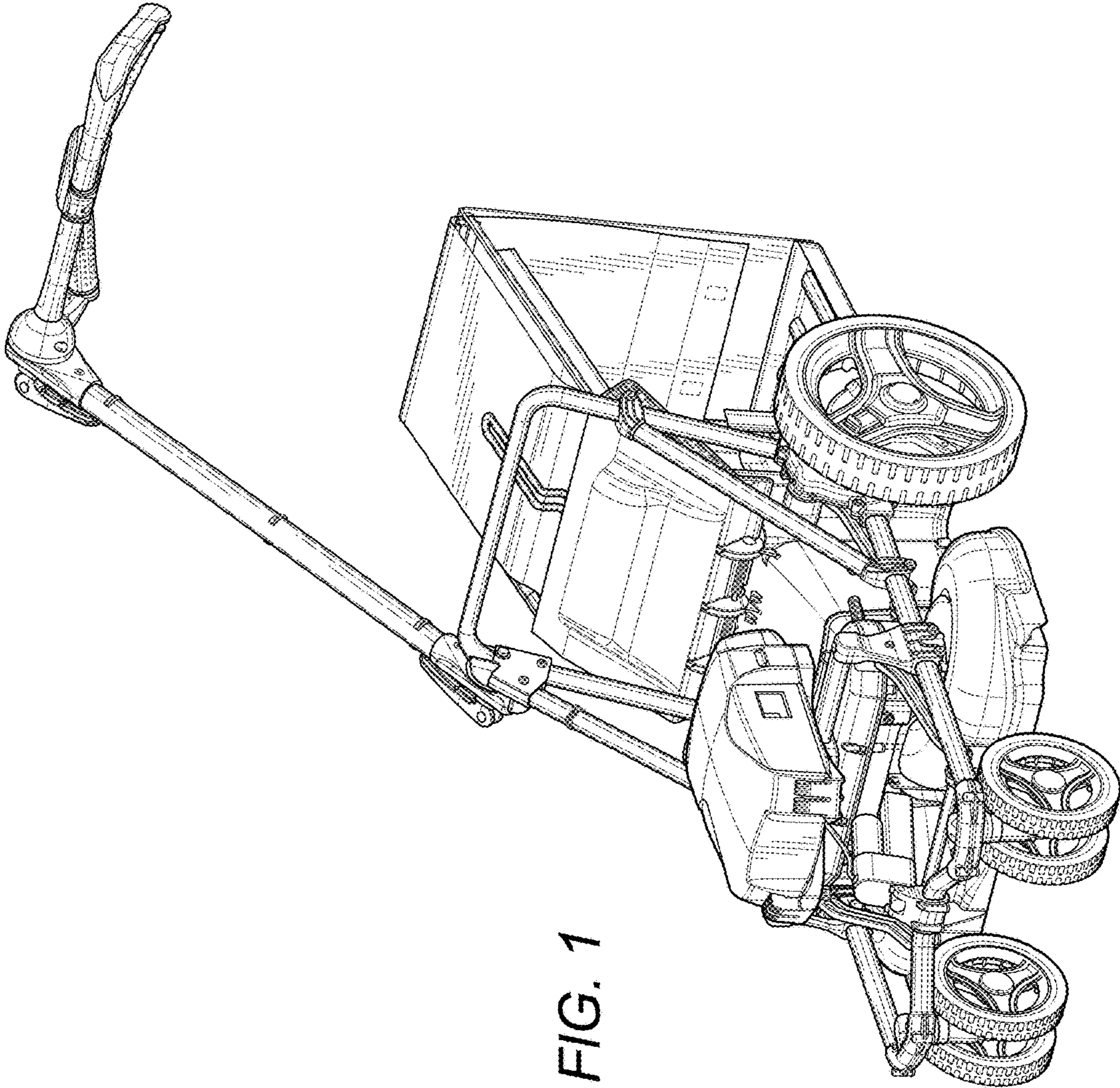


FIG. 1

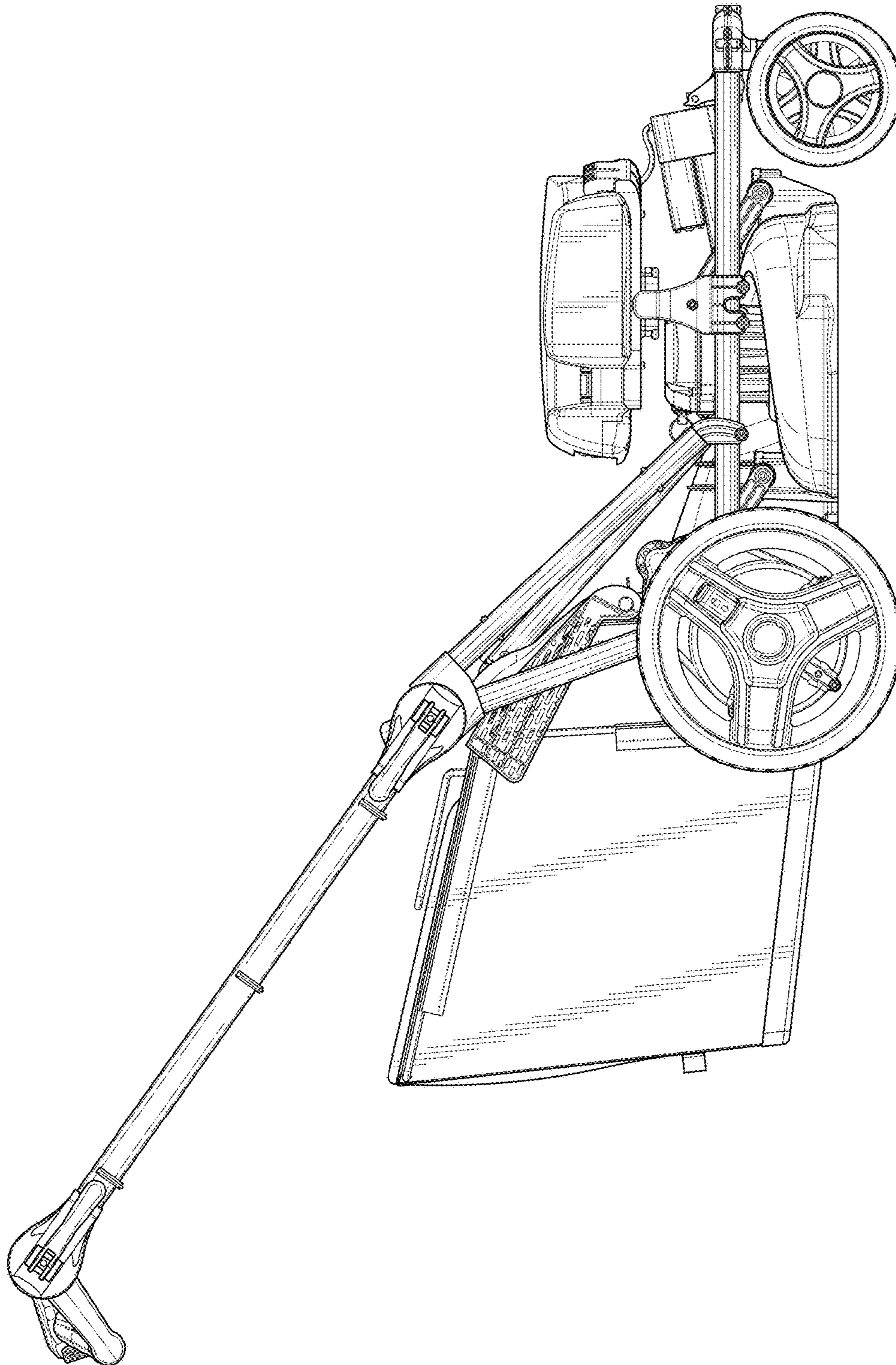


FIG. 2

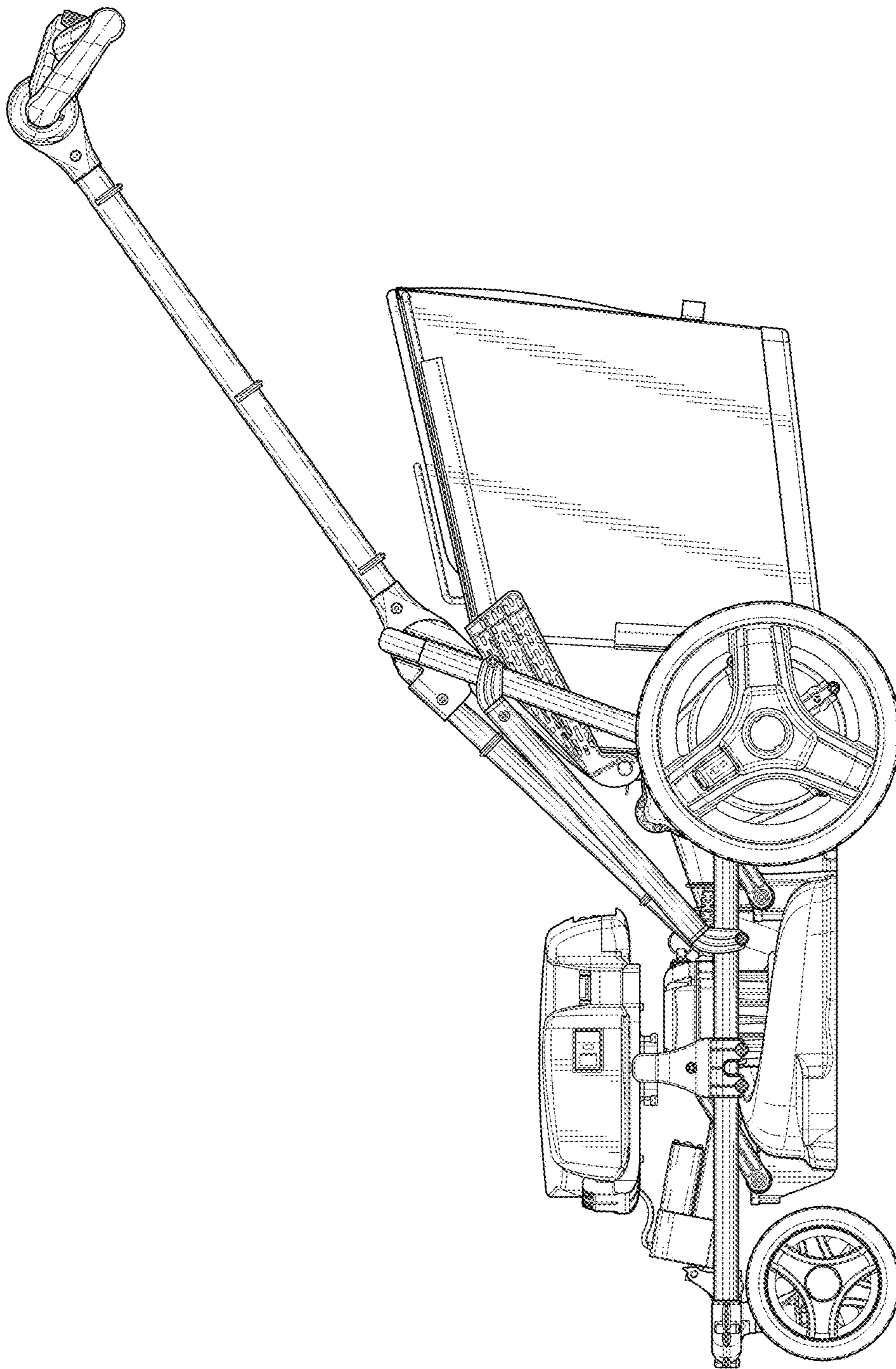


FIG. 3

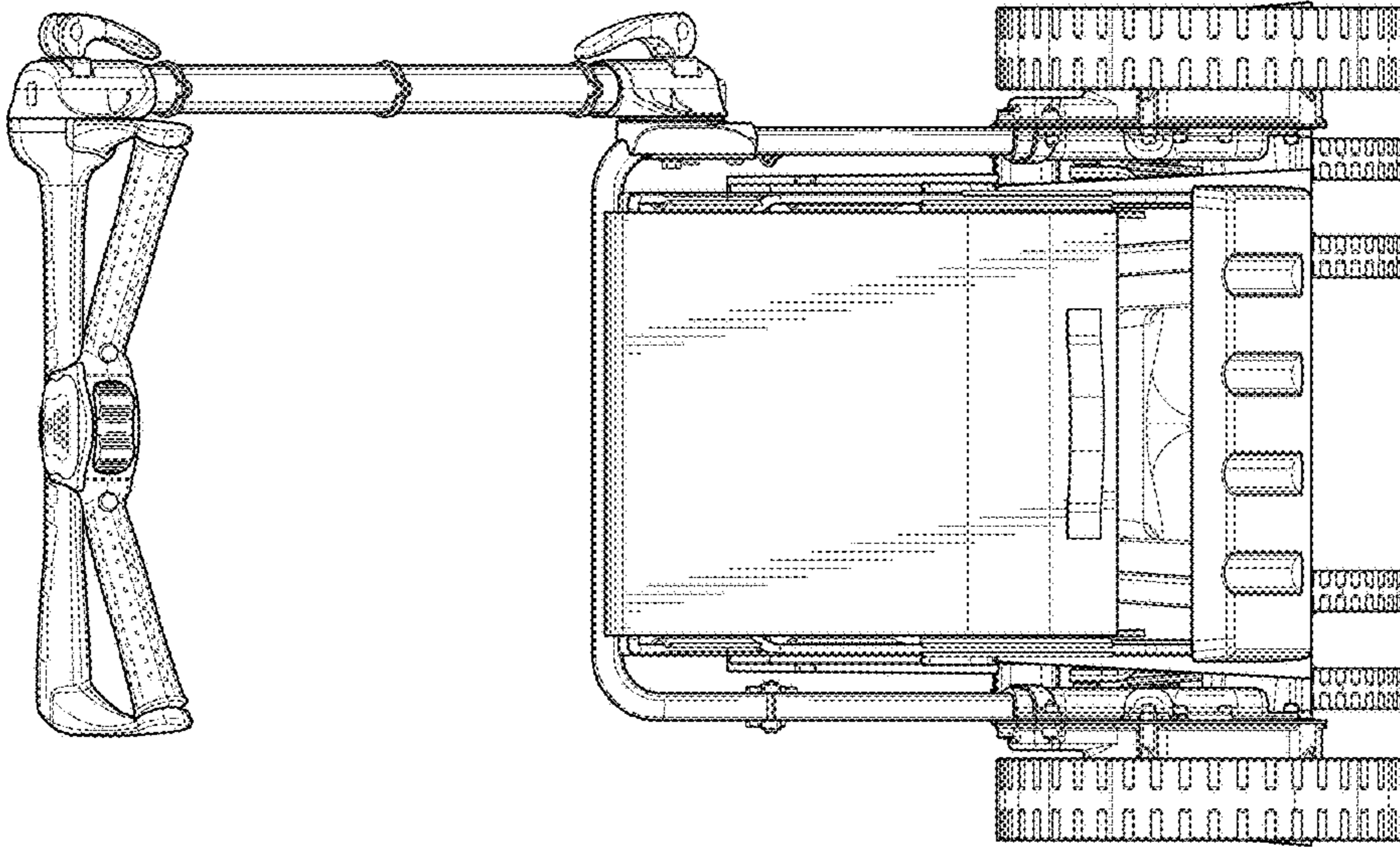


FIG. 5

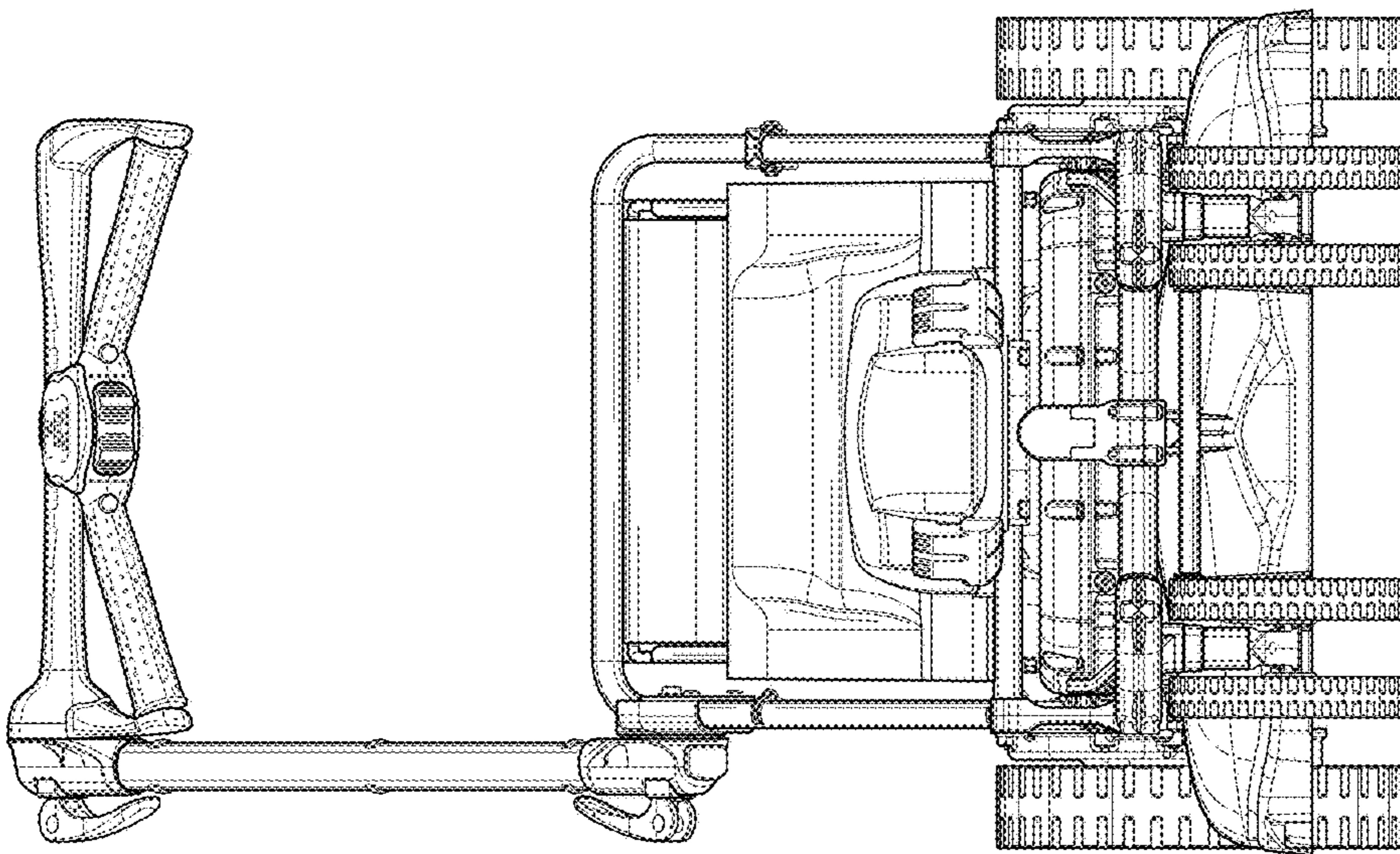


FIG. 4

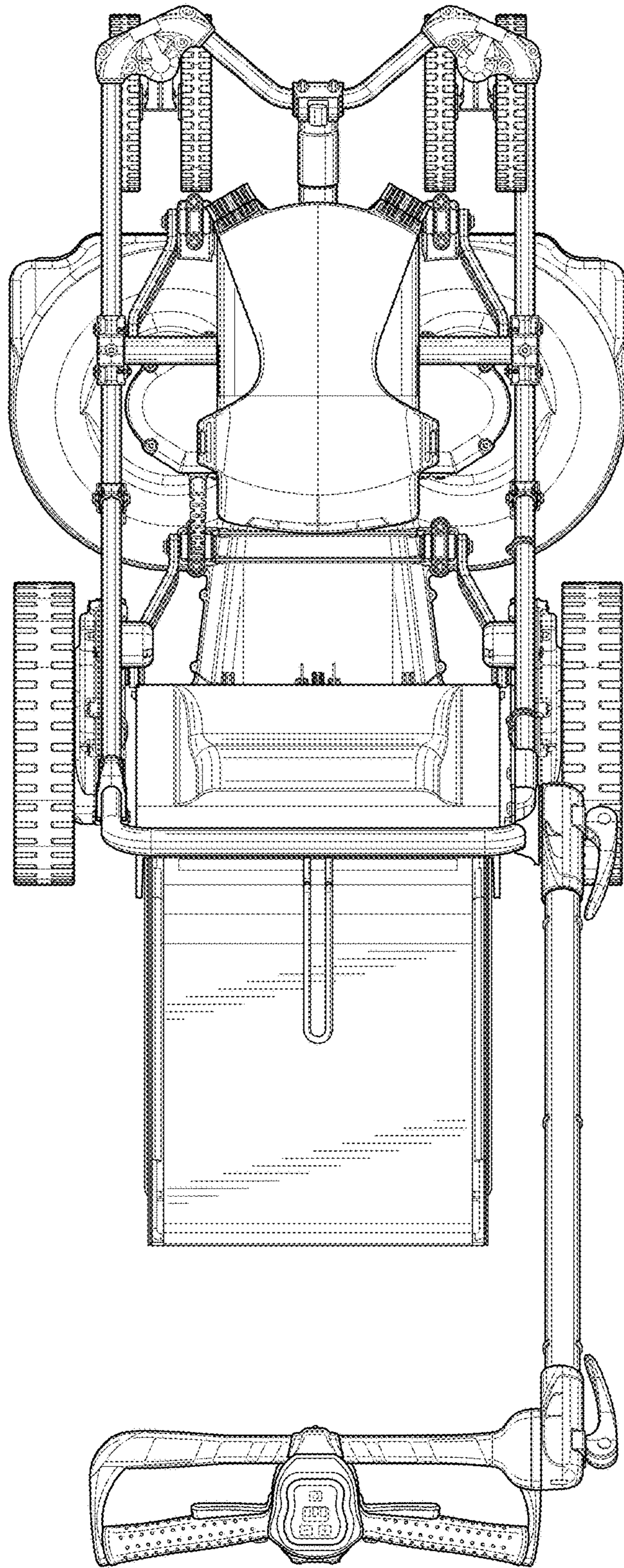


FIG. 6

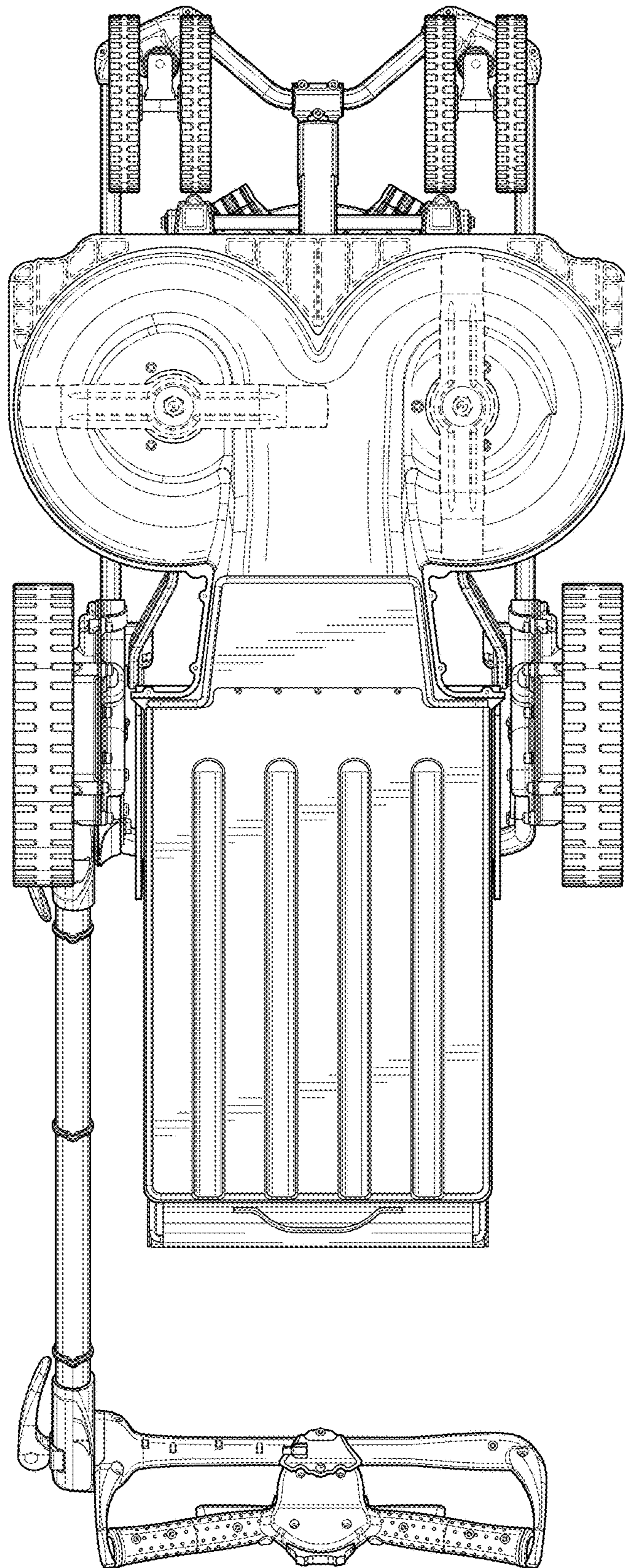


FIG. 7

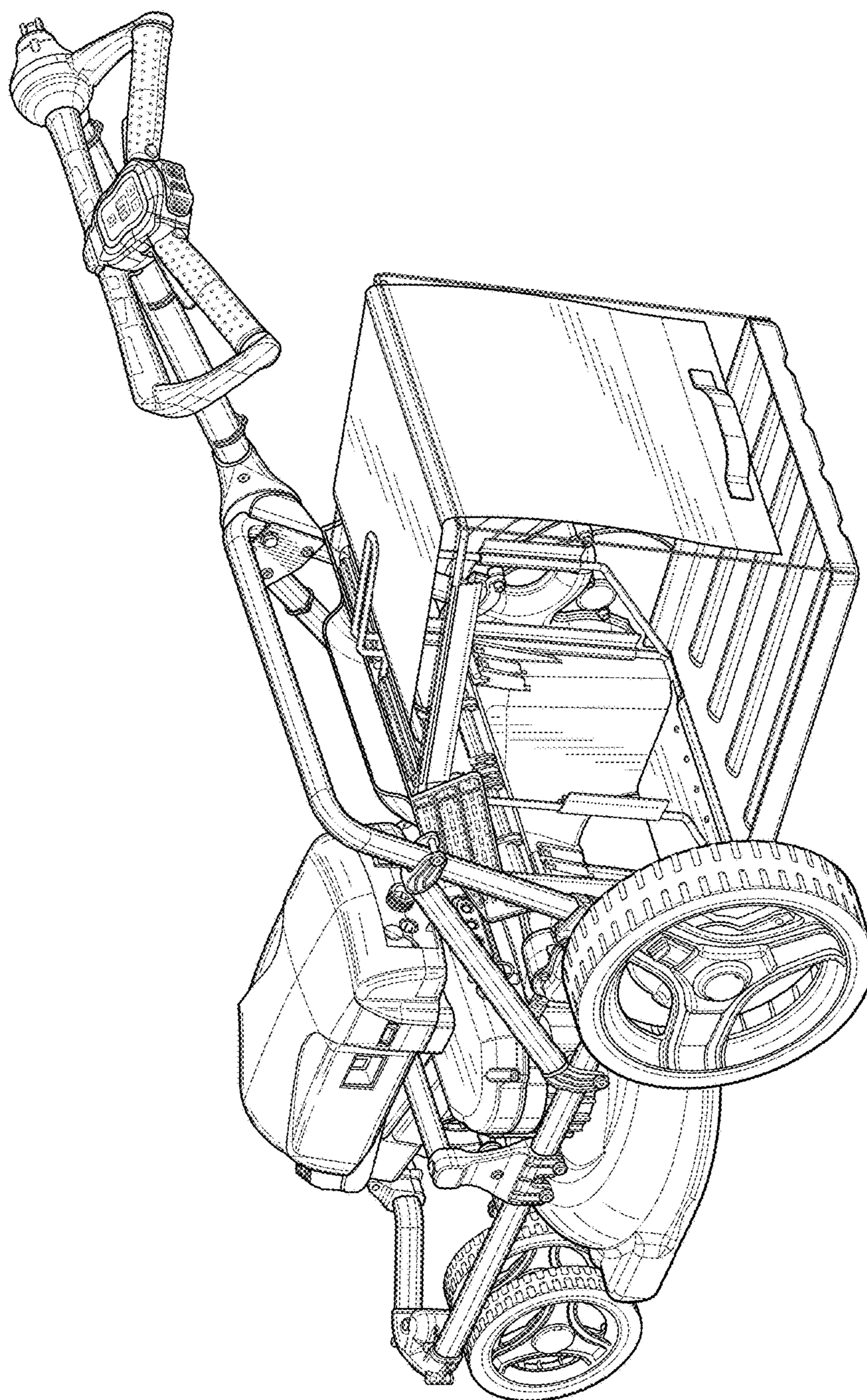


FIG. 8