



US00D781347S

(12) **United States Design Patent**
Klein

(10) **Patent No.:** **US D781,347 S**
(45) **Date of Patent:** **** Mar. 14, 2017**

(54) **FULLY ADJUSTABLE AIR DEFLECTOR SYSTEM FOR V-BLADE SNOW PLOW**

DESCRIPTION

- (71) Applicant: **David Earl Klein**, Lewellen, NE (US)
- (72) Inventor: **David Earl Klein**, Lewellen, NE (US)
- (**) Term: **15 Years**
- (21) Appl. No.: **29/557,552**
- (22) Filed: **Mar. 9, 2016**
- (51) **LOC (10) Cl.** **15-03**
- (52) **U.S. Cl.**
USPC **D15/11**
- (58) **Field of Classification Search**
USPC D15/11, 17, 28; 37/266, 241; 296/180.1
CPC ... E01H 5/066; E01H 5/04; E01H 5/06; Y10S
37/903
See application file for complete search history.

(56) **References Cited**

U.S. PATENT DOCUMENTS

- 2,085,996 A * 7/1937 Phillips E01H 5/066
37/260
- 3,432,947 A 3/1969 Peitl
- 4,587,750 A 5/1986 Larson
- 4,896,915 A 1/1990 Morandi et al.

(Continued)

Primary Examiner — Mark Goodwin

(74) *Attorney, Agent, or Firm* — Shifrin Patent Law; Dan Shifrin

(57) **CLAIM**

The ornamental design for an fully adjustable air deflector system for V-blade snow plow, as substantially shown and described.

The present application is related to commonly-owned and co-pending U.S. application Ser. No. 29/557,550, entitled Fully Adjustable Air Deflector System for Snow Plow Blades, filed on the filing date hereof, and to commonly-owned U.S. application Ser. No. 12/288,973, now abandoned, entitled Air Deflector for V-Blade Snow Plow, filed on Oct. 24, 2008, which applications are incorporated herein by reference in their entireties.

FIG. 1 is a front perspective view of the fully adjustable air deflector system for V-blade snow plow of the present invention;

FIG. 2 is a rear perspective view of the fully adjustable air deflector system for V-blade snow plow of the present invention;

FIG. 3 is a rear elevation view of the fully adjustable air deflector system for V-blade snow plow of the present invention;

FIG. 4 is a top view of the fully adjustable air deflector system for V-blade snow plow of the present invention;

FIG. 5 is a bottom view of the fully adjustable air deflector system for V-blade snow plow of the present invention;

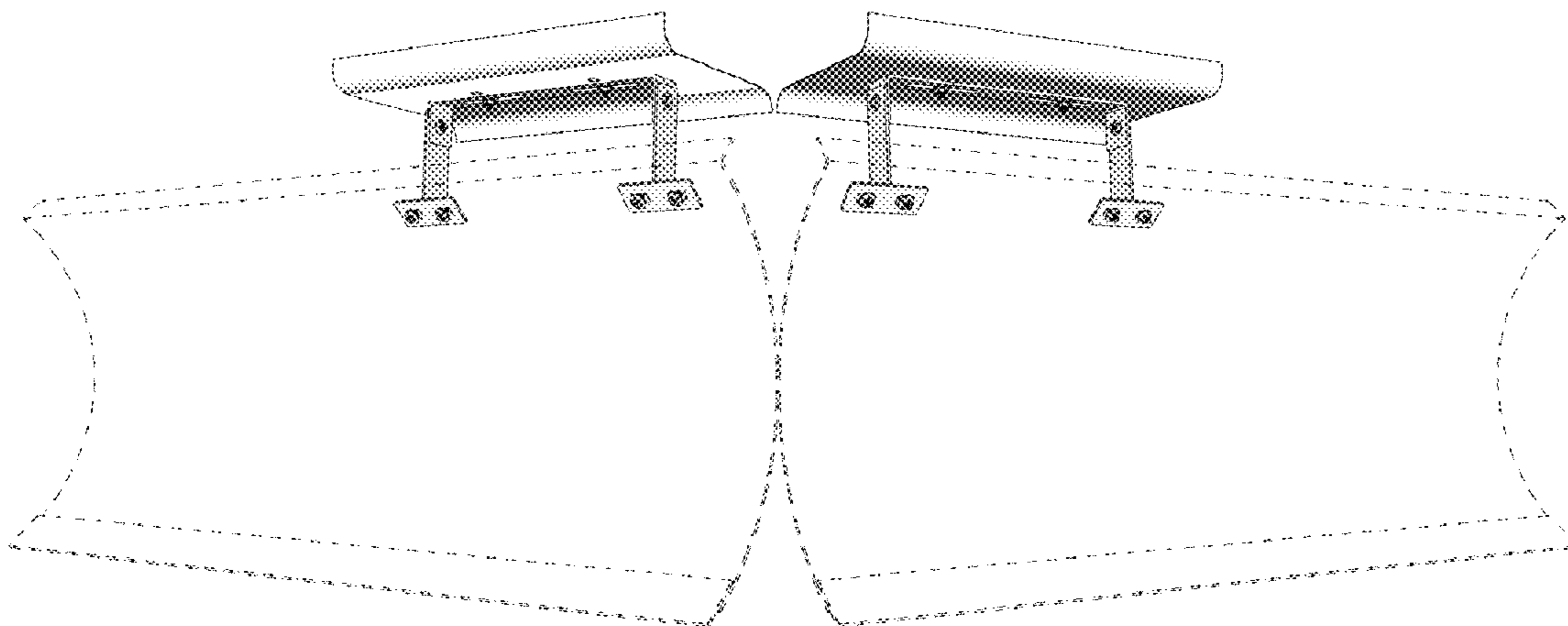
FIG. 6 is a left side view of the fully adjustable air deflector system for V-blade snow plow of the present invention, the right side view being a mirror image thereof;

FIG. 7 is a rear elevation view of the fully adjustable air deflector system for V-blade snow plow of the present invention; and,

FIG. 8 is a right elevation view of the fully adjustable air deflector system for V-blade snow plow of the present invention, the left side view being a mirror image thereof.

Broken lines in the Figures are for the purpose of illustrating portions of the fully adjustable air deflector system for V-blade snow plow and form no part of the claimed design.

1 Claim, 8 Drawing Sheets



(56)

References Cited

U.S. PATENT DOCUMENTS

5,155,929	A *	10/1992	Vachon	E01H 5/066 37/231
5,309,653	A	5/1994	Pease et al.	
5,544,434	A	8/1996	Calvachio, Jr.	
5,688,020	A *	11/1997	Burg	B62D 35/007 296/180.1
5,881,479	A	3/1999	Pavey	
5,966,845	A	10/1999	DiGiacomo	
6,035,560	A	3/2000	Pender	
D594,882	S *	6/2009	Schultz	D15/11
9,267,305	B1 *	2/2016	Reynolds	E04H 5/06
2006/0185199	A1 *	8/2006	Watros	E01H 5/066 37/231

* cited by examiner

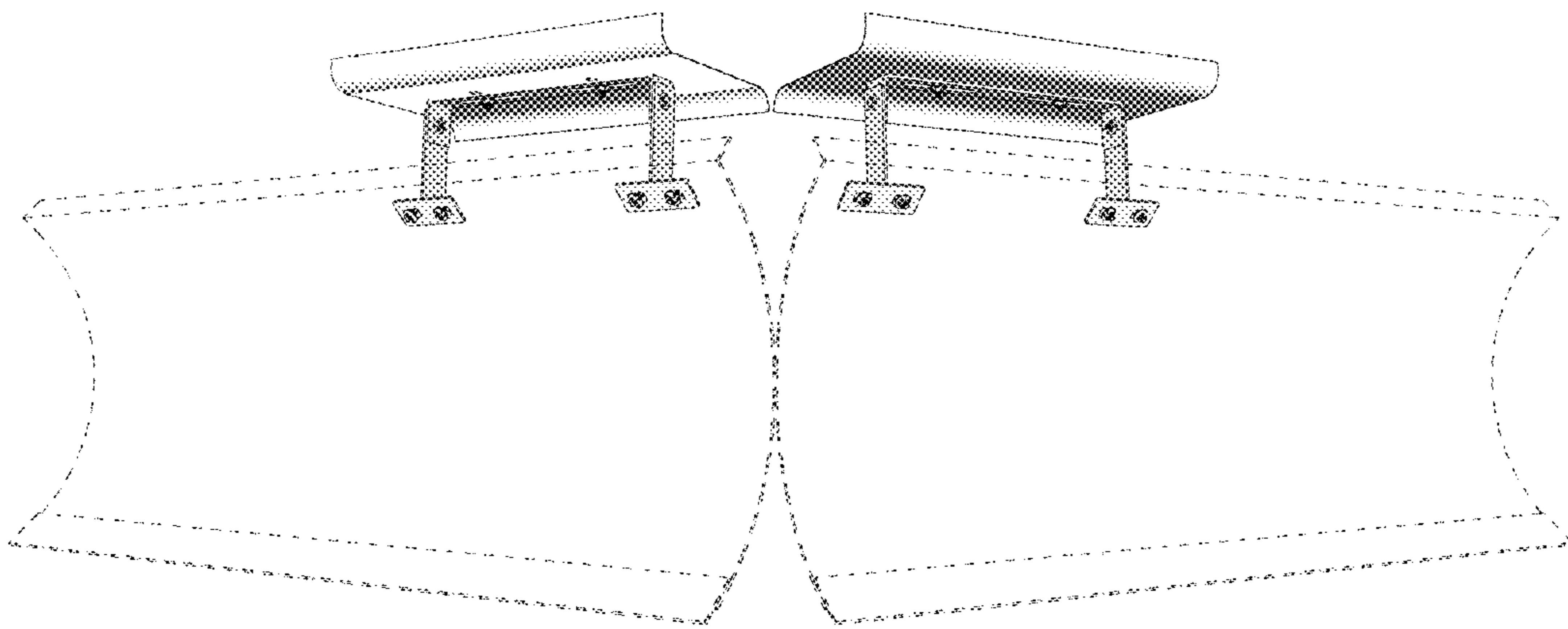


FIG. 1

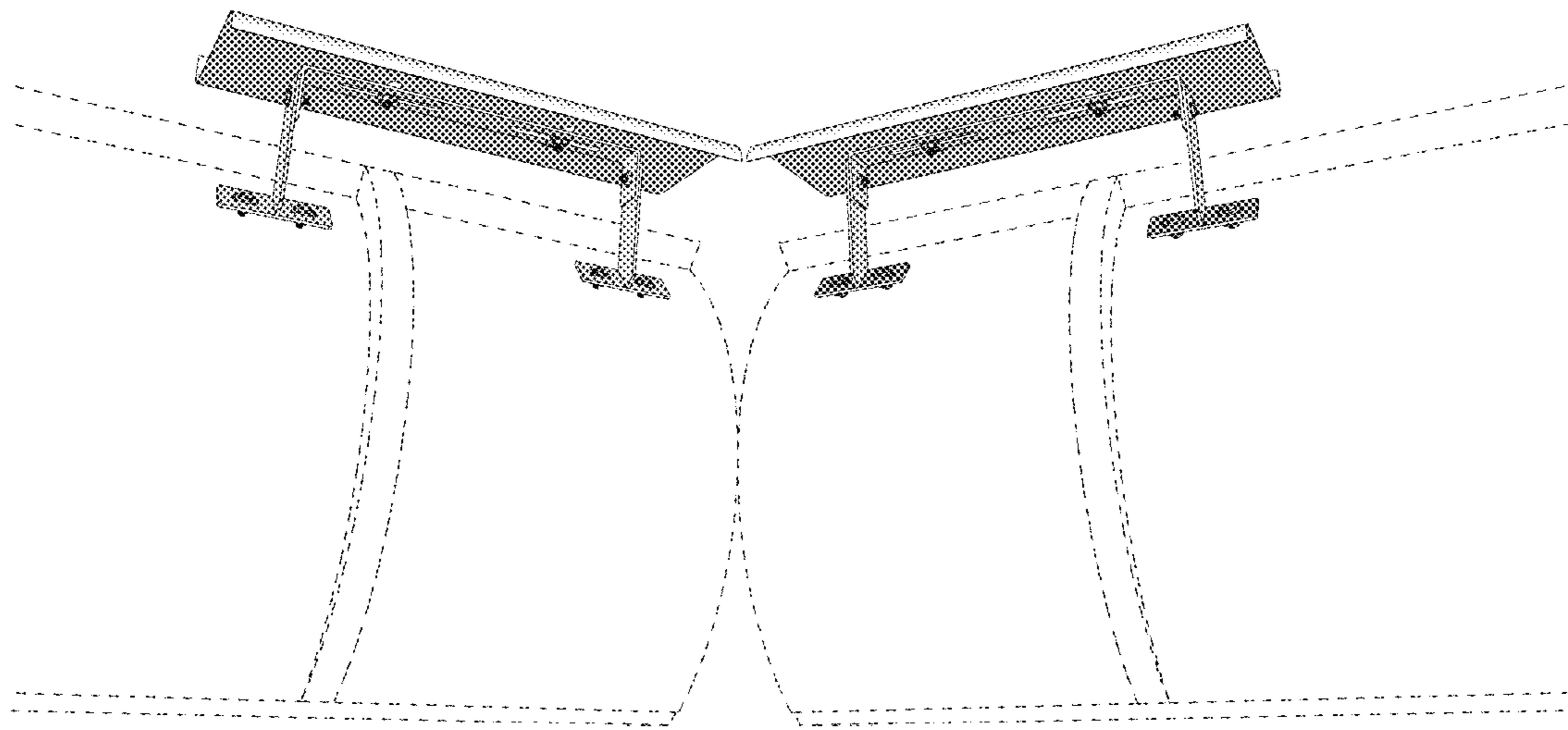


FIG. 2

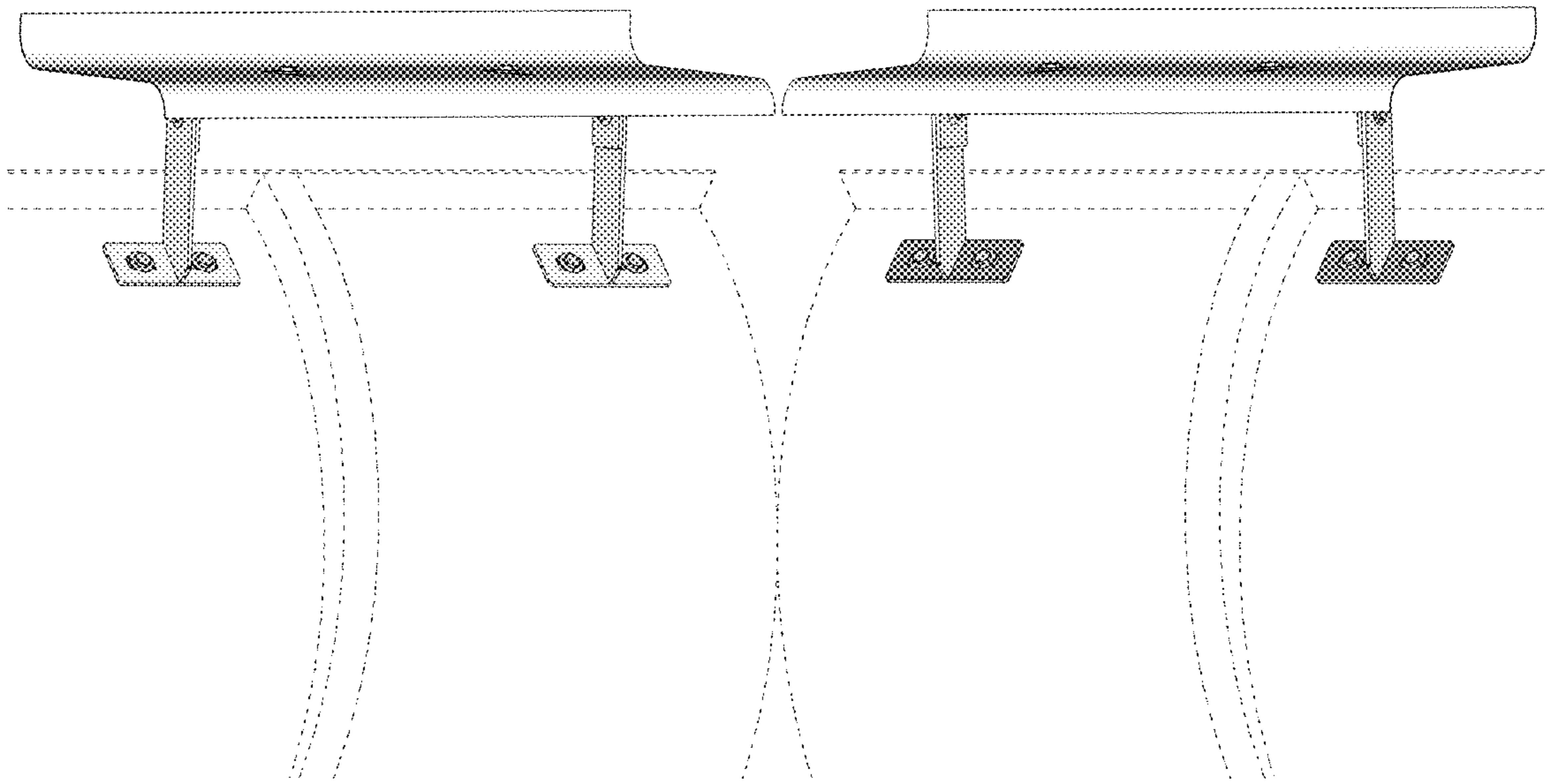


FIG. 3

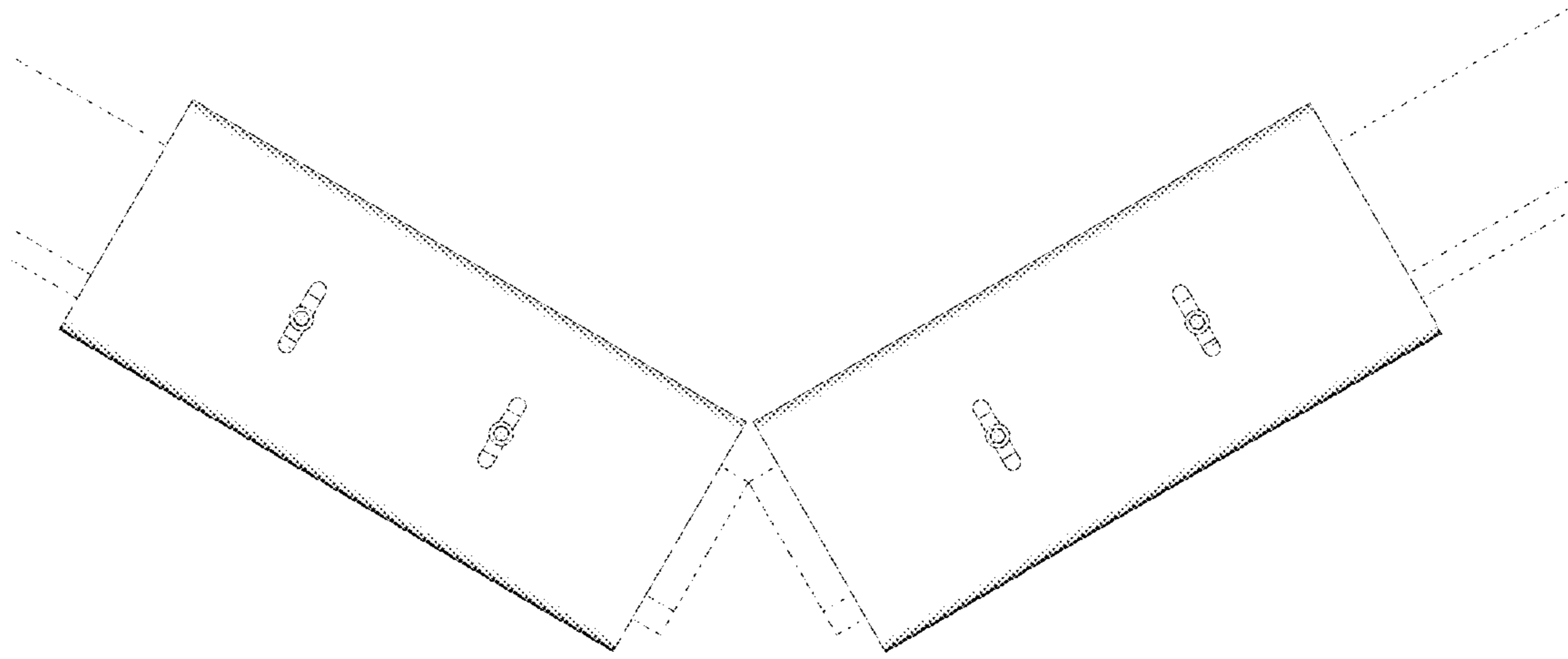


FIG. 4

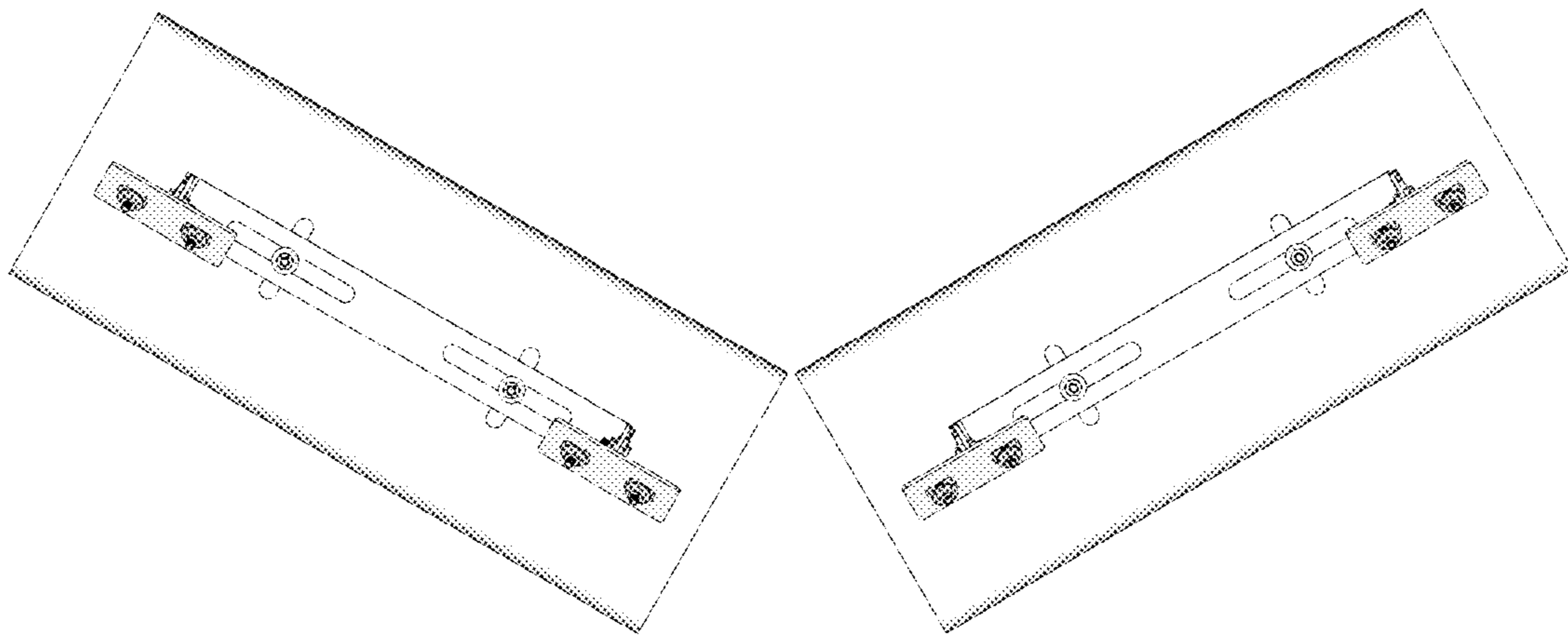


FIG. 5

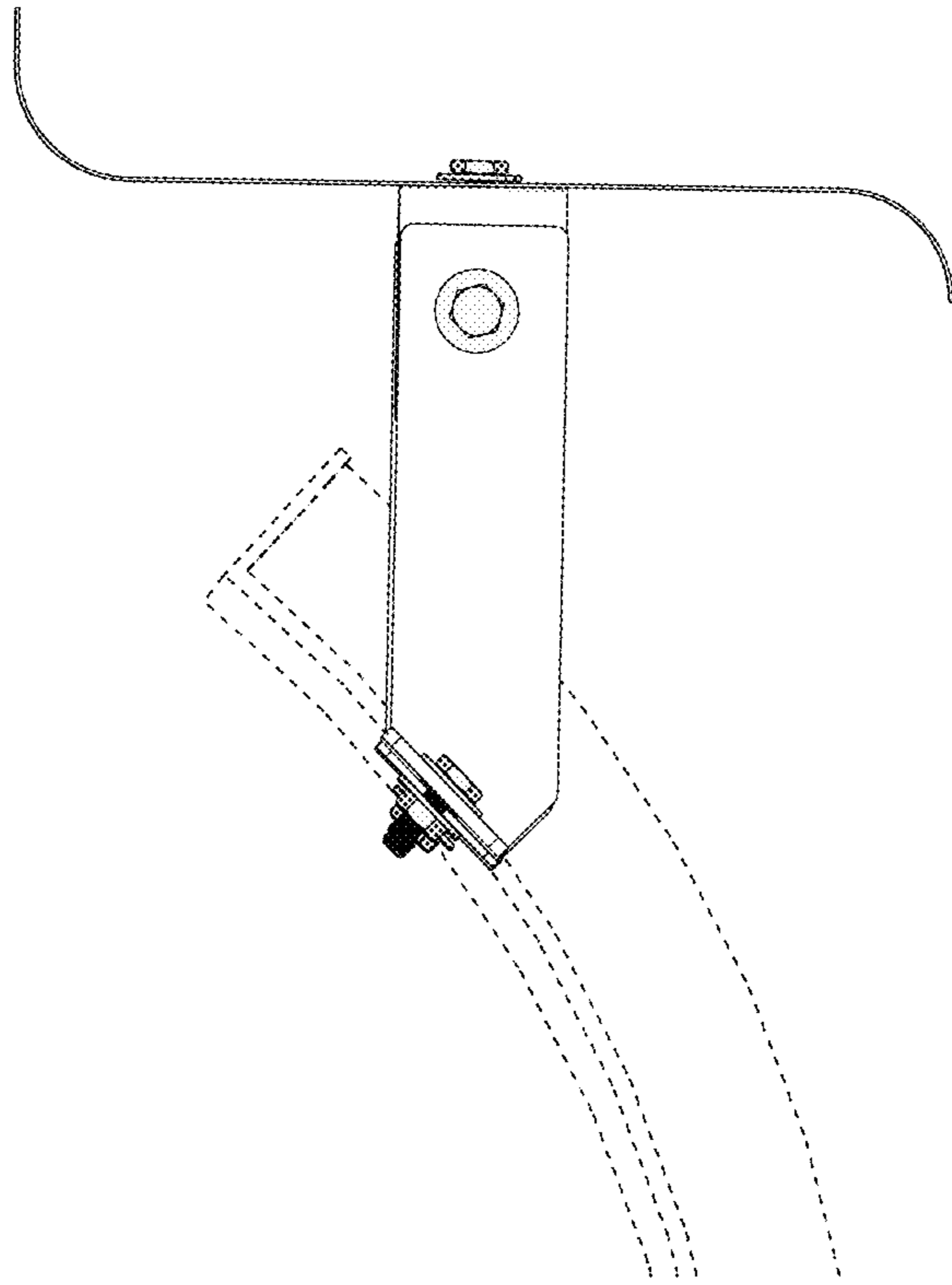


FIG. 6

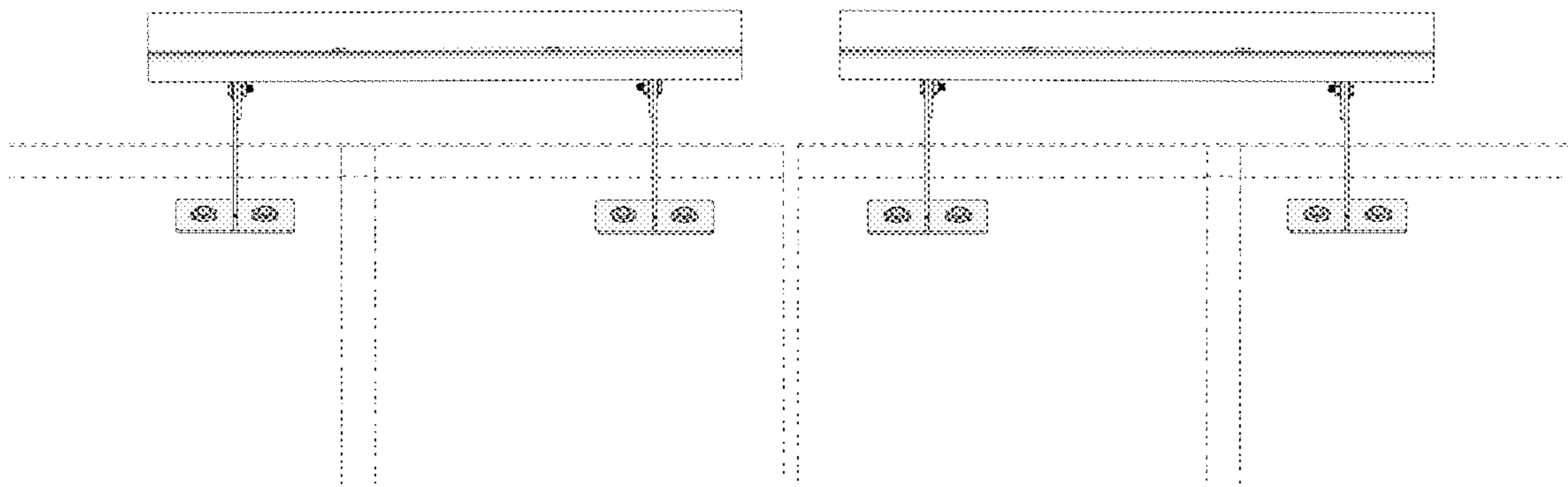


FIG. 7

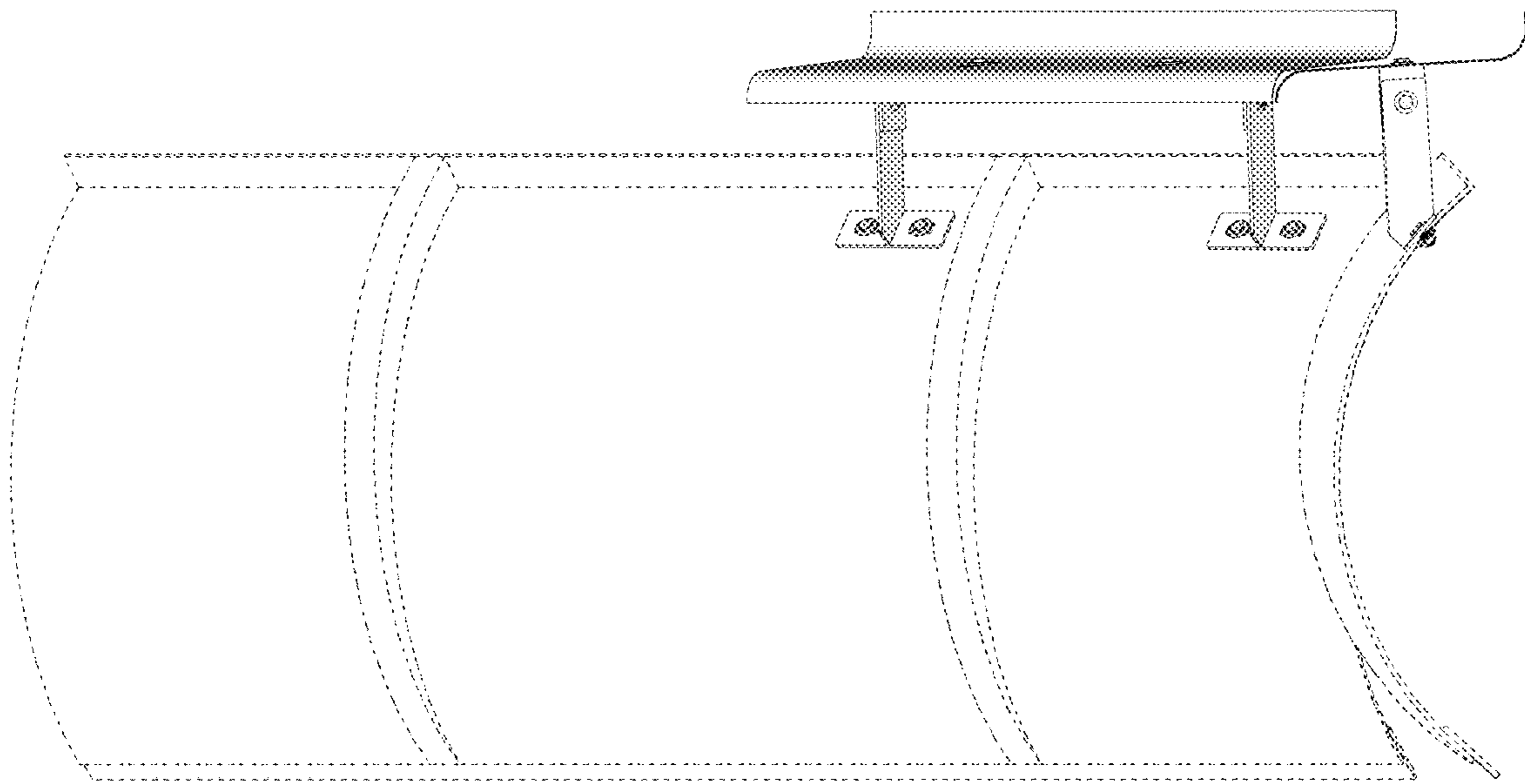


FIG. 8