



US00D781345S

(12) **United States Design Patent** (10) **Patent No.:** **US D781,345 S**  
**Pratley** (45) **Date of Patent:** **\*\* Mar. 14, 2017**

- (54) **ELASTOMERIC COUPLING FOR SUPERCHARGER**
- (71) Applicant: **Eaton Corporation**, Cleveland, OH (US)
- (72) Inventor: **Mark H. Pratley**, Marshall, MI (US)
- (73) Assignee: **Eaton Corporation**, Cleveland, OH (US)
- (\*\*) Term: **14 Years**
- (21) Appl. No.: **29/523,156**
- (22) Filed: **Apr. 7, 2015**

4,924,839	A	5/1990	Mueller	
4,944,279	A	7/1990	Woodard	
6,253,747	B1	7/2001	Sell	
7,681,559	B2	3/2010	Pratley	
8,042,526	B2	10/2011	Suhocki	
8,042,674	B2	10/2011	Hegerath	
9,027,528	B2*	5/2015	Bittencourt	..... F01C 1/3442
				123/241
2008/0149452	A1*	6/2008	Pratley	..... F02B 33/38
				192/30 V

(Continued)

*Primary Examiner* — T. Chase Nelson  
*Assistant Examiner* — Ania Aman  
 (74) *Attorney, Agent, or Firm* — Remarck Law Group PLC

**Related U.S. Application Data**

- (63) Continuation-in-part of application No. 29/520,884, filed on Mar. 18, 2015, which is a continuation-in-part of application No. PCT/US2015/020947, filed on Mar. 17, 2015.
- (51) **LOC (10) Cl.** ..... **15-01**
- (52) **U.S. Cl.**  
USPC ..... **D15/5**
- (58) **Field of Classification Search**  
USPC ..... D15/1-5; 123/559.1; 29/888.02; 418/178, 179, 1, 206.5; 415/9, 173.4, 415/174.4; 464/127, 72, 74, 75  
CPC ..... F16D 2500/1068; F16D 3/70; F16D 3/64; F16D 3/68; F16D 3/78; F16D 3/12; F16D 41/20; F16D 3/00; F02B 39/12; F02B 39/04; F02B 37/04; F02B 33/38; F02B 33/00; F04C 29/122; F04C 27/005; F04C 18/126; F16C 1/00  
See application file for complete search history.

(57) **CLAIM**

The ornamental design for an elastomeric coupling for supercharger, as shown and described.

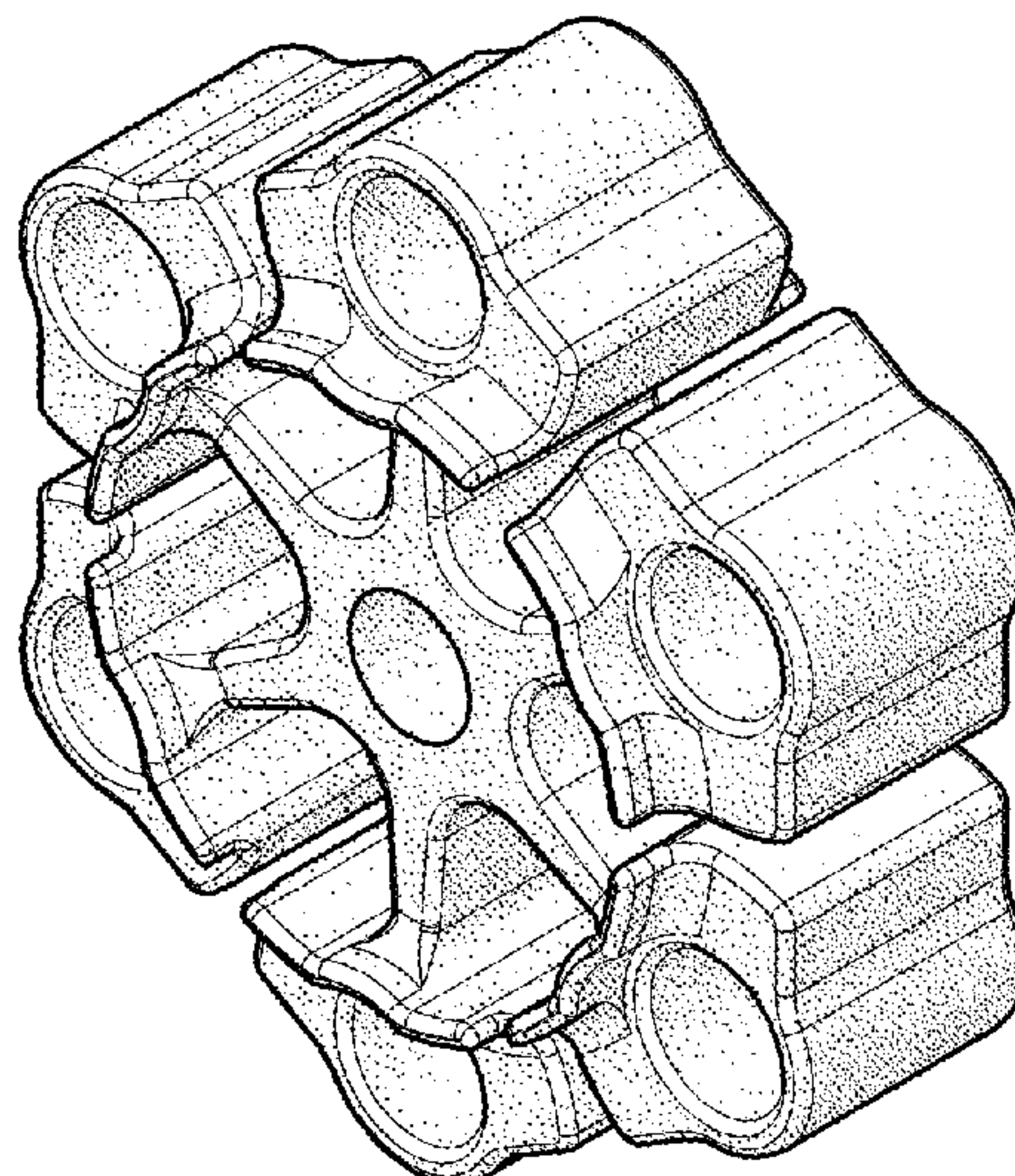
**DESCRIPTION**

FIG. 1 is a front perspective view of an elastomeric coupling for supercharger showing the new design.  
 FIG. 2 is a rear perspective view of the elastomeric coupling for supercharger of FIG. 1.  
 FIG. 3 is a front view of the elastomeric coupling for supercharger of FIG. 1.  
 FIG. 4 is a rear view of the elastomeric coupling for supercharger of FIG. 1.  
 FIG. 5 is a top plan view of the elastomeric coupling for supercharger of FIG. 1.  
 FIG. 6 is a bottom plan view of the elastomeric coupling for supercharger of FIG. 1.  
 FIG. 7 is a first side view of the elastomeric coupling for supercharger of FIG. 1; and,  
 FIG. 8 is a second side view of the elastomeric coupling for supercharger of FIG. 1.

- (56) **References Cited**  
U.S. PATENT DOCUMENTS

3,195,324	A	7/1965	Sellwood
3,427,827	A	2/1969	Airheart

**1 Claim, 4 Drawing Sheets**



(56)

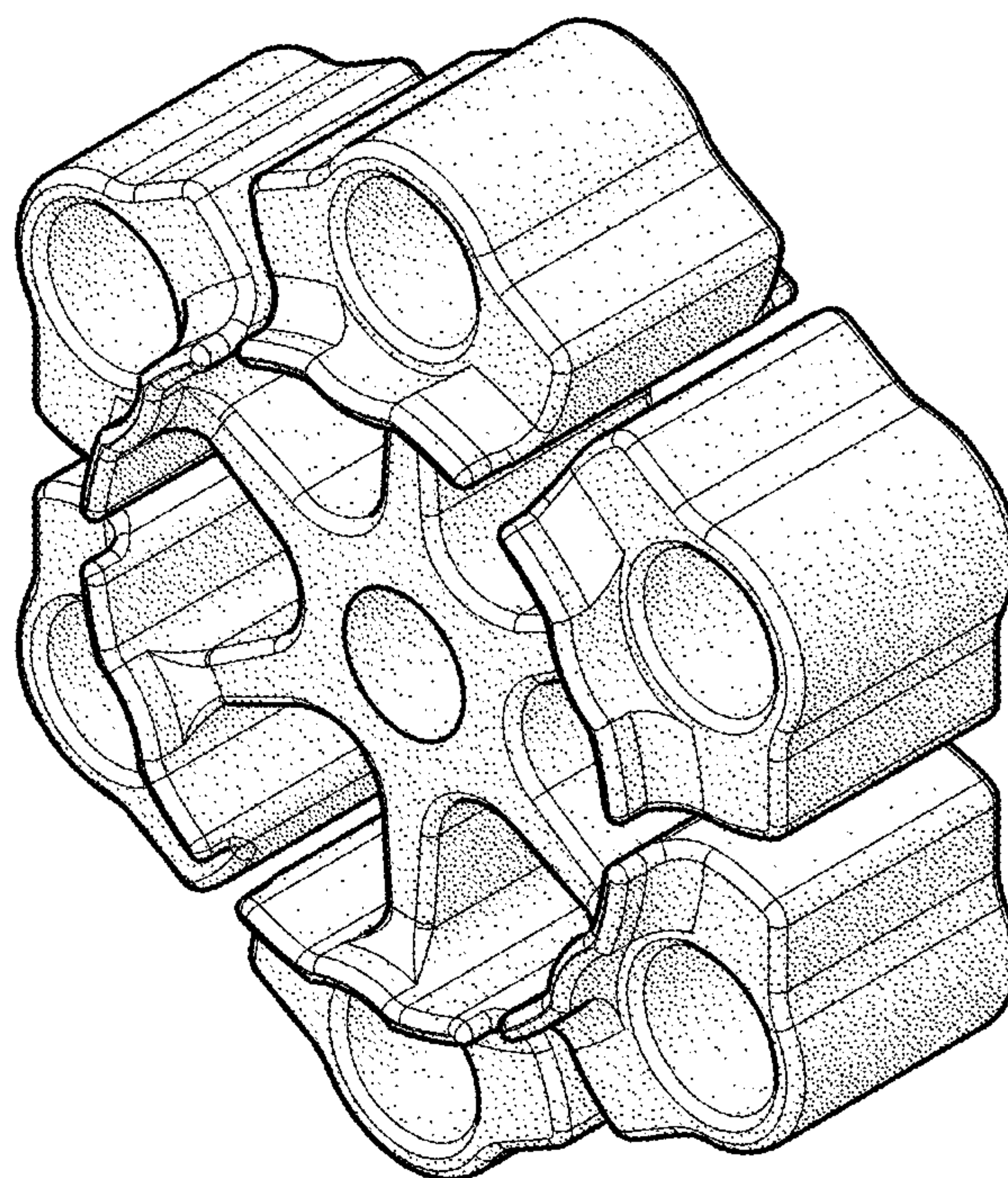
**References Cited**

U.S. PATENT DOCUMENTS

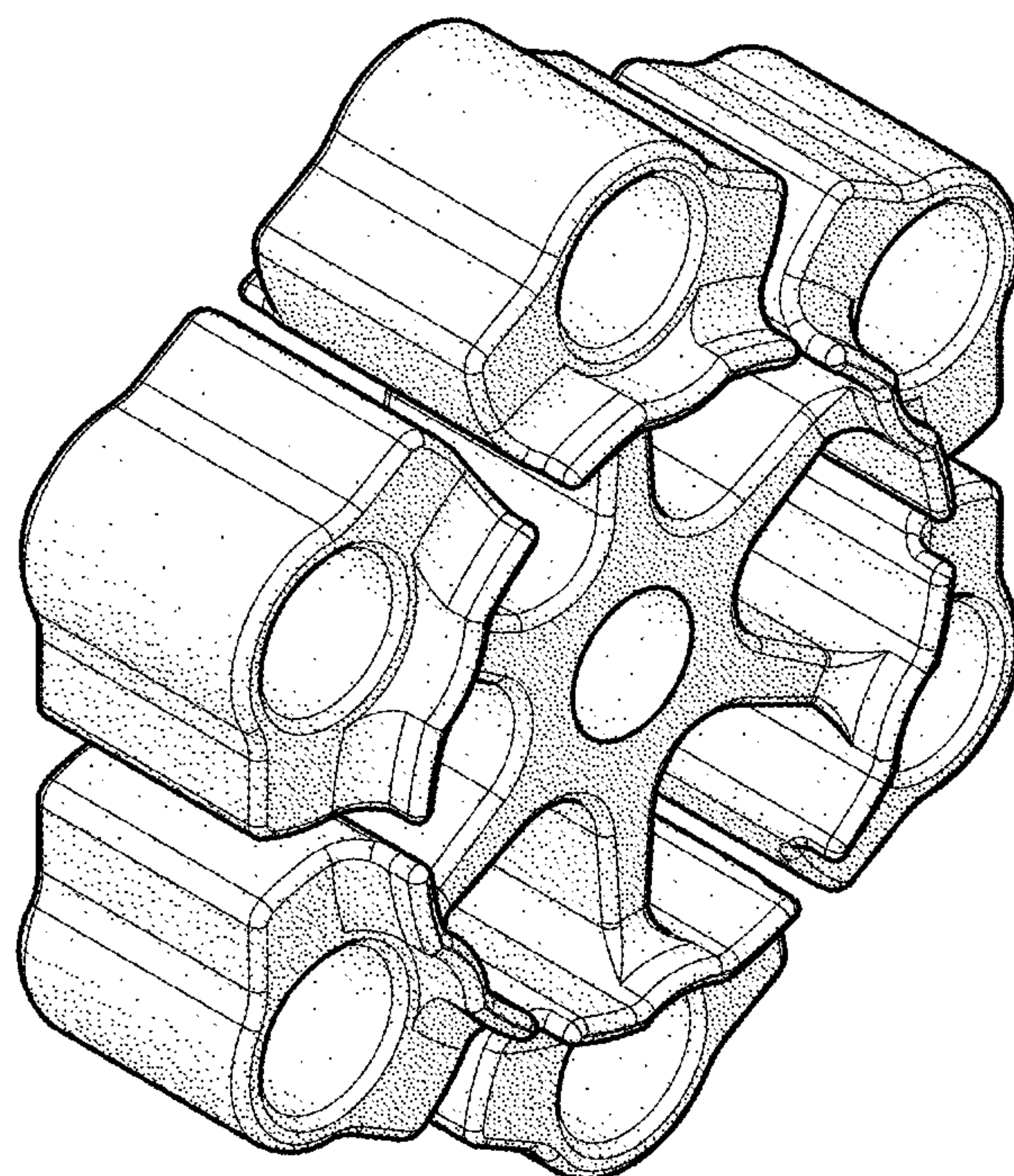
2016/0032985 A1\* 2/2016 Witherspoon ..... F02B 39/04  
464/72

\* cited by examiner

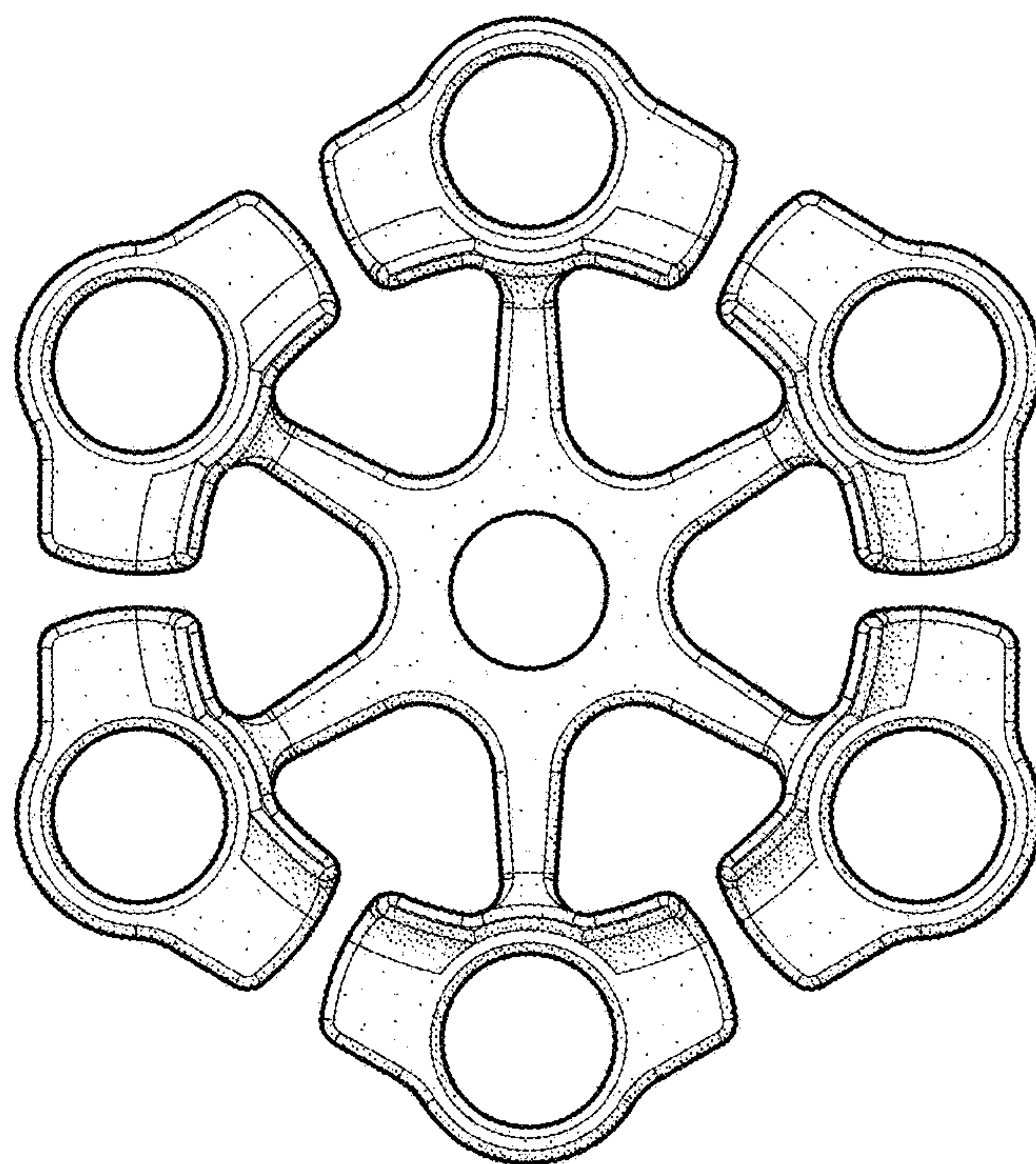




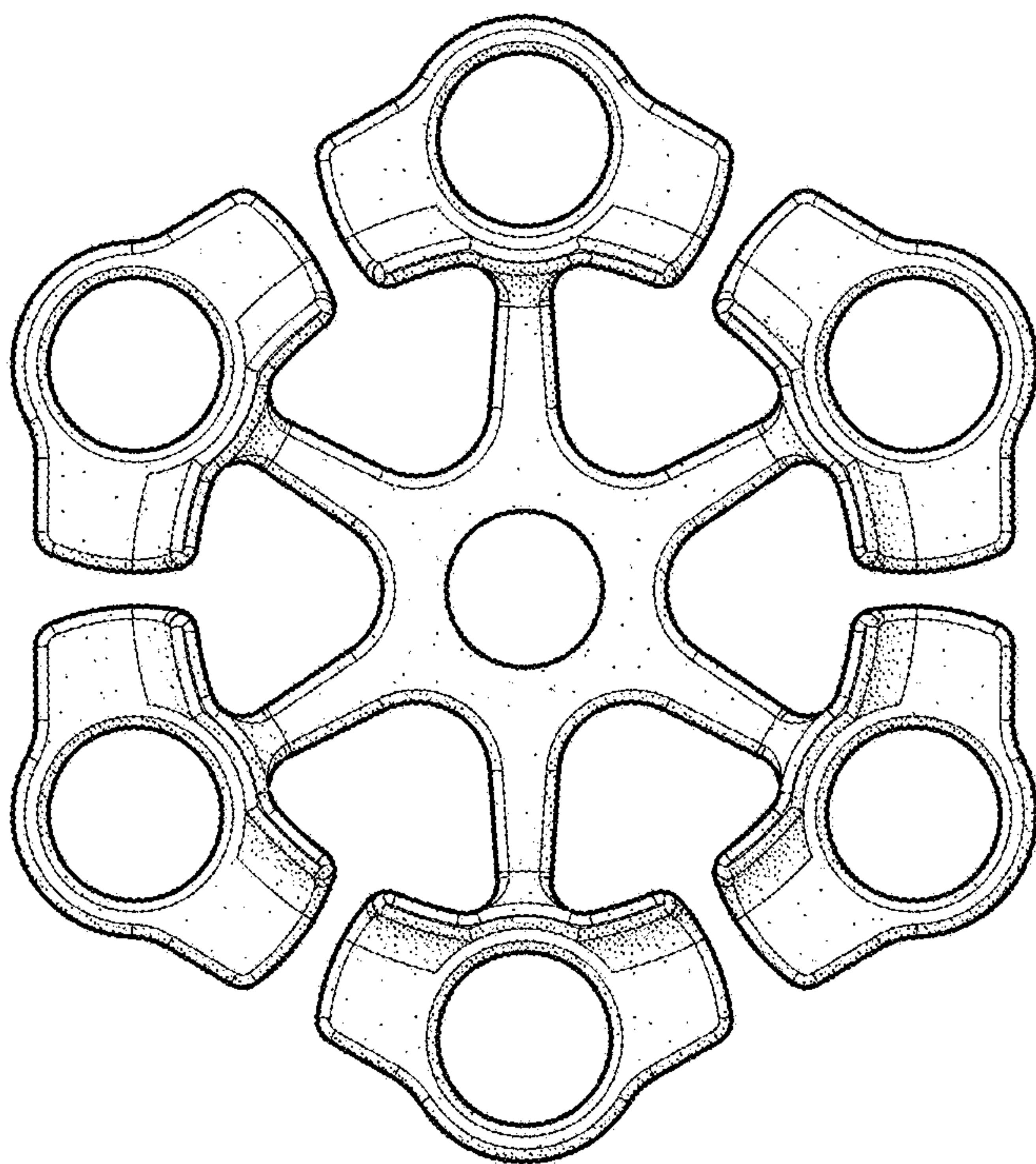
***FIG. 1***



***FIG. 2***

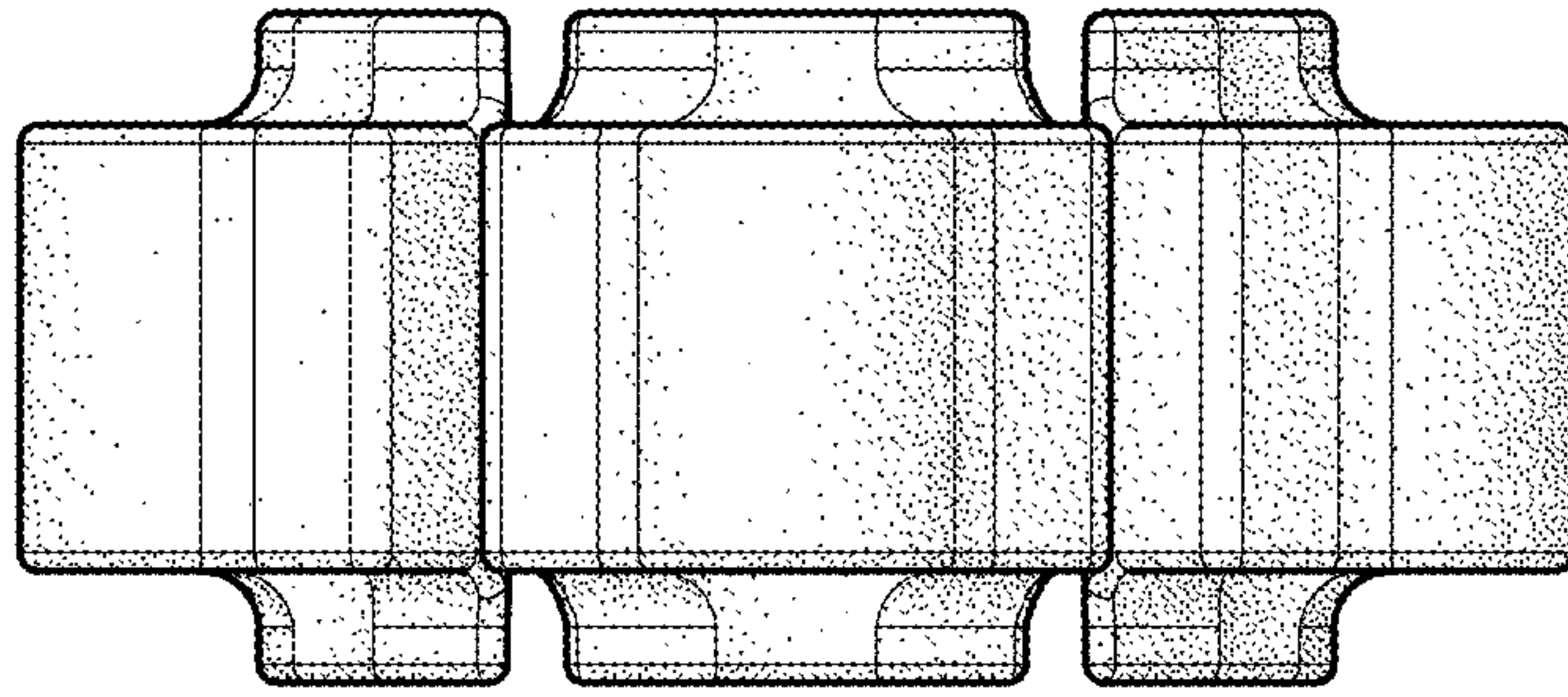


***FIG. 3***

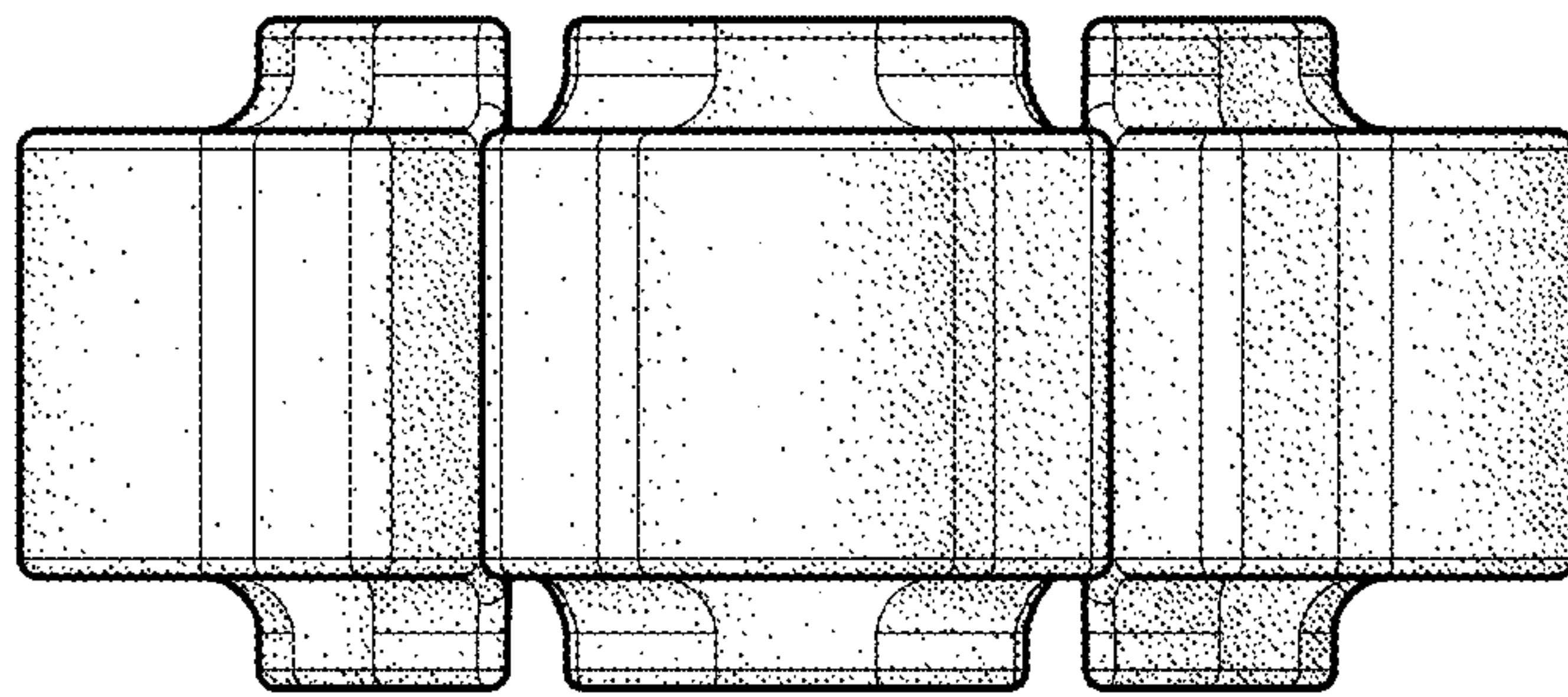


***FIG. 4***

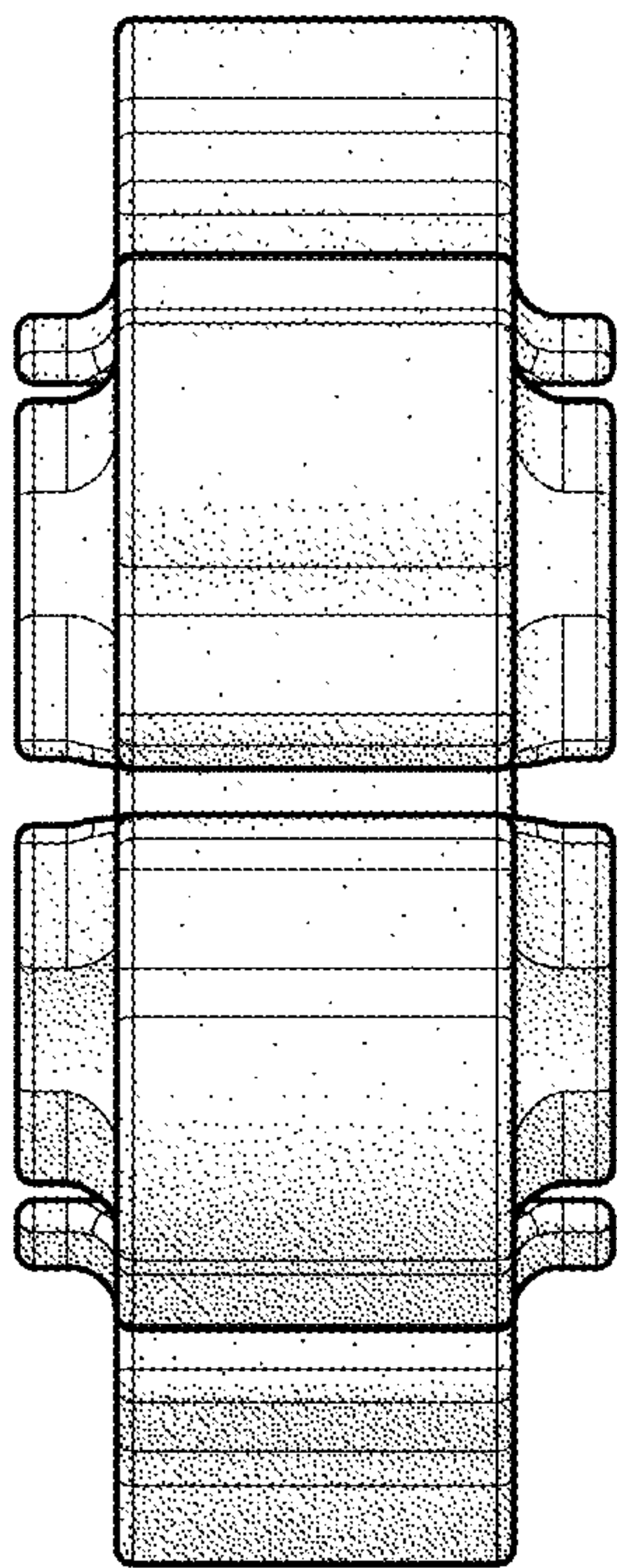




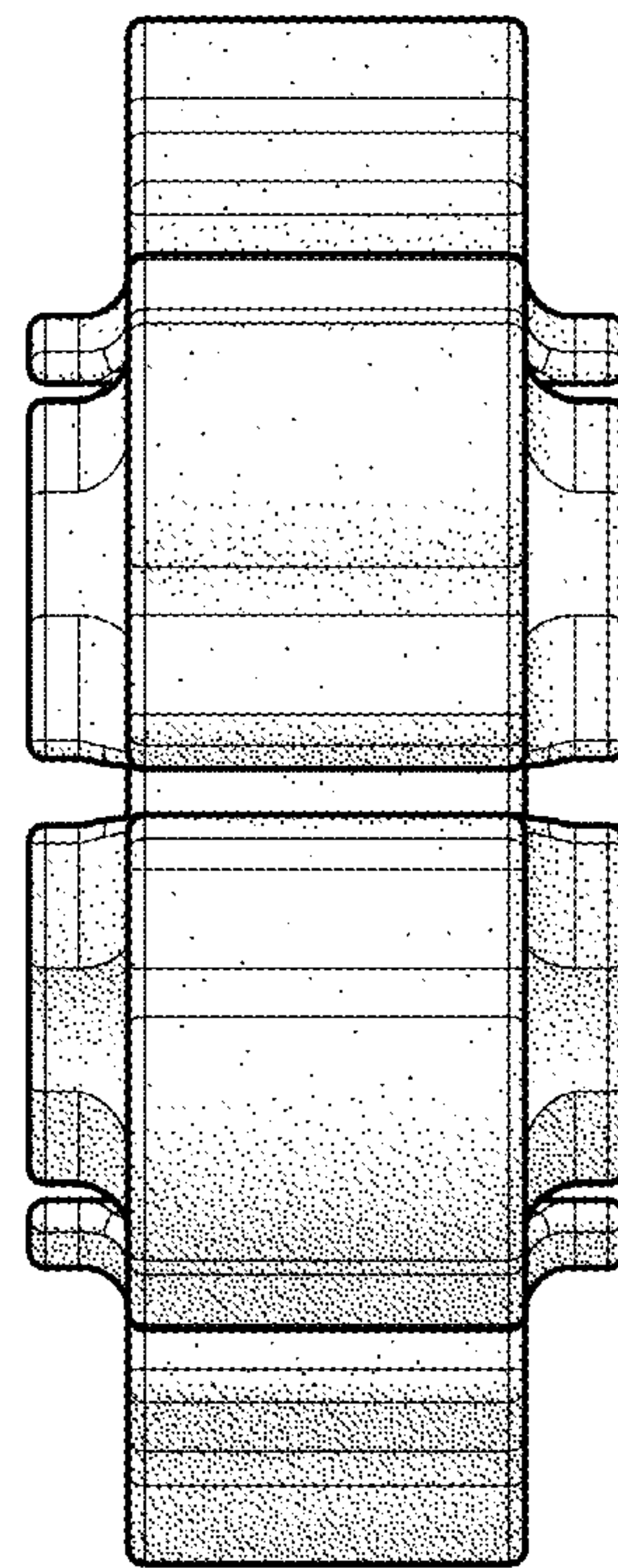
***FIG. 5***



***FIG. 6***



***FIG. 7***



***FIG. 8***