



US00D781328S

(12) **United States Design Patent**
Fong et al.

(10) **Patent No.:** **US D781,328 S**
(45) **Date of Patent:** **** Mar. 14, 2017**

(54) **DISPLAY SCREEN WITH ANIMATED GRAPHICAL USER INTERFACE**

(71) Applicant: **Google Inc.**, Mountain View, CA (US)

(72) Inventors: **Alena Rose Fong**, Fremont, CA (US);
Oisin Lavery, San Francisco, CA (US);
Kristina Tiffany Eng, Fremont, CA (US);
Alex Cook, San Francisco, CA (US)

(73) Assignee: **Google Inc.**, Mountain View, CA (US)

(**) Term: **15 Years**

(21) Appl. No.: **29/534,978**

(22) Filed: **Aug. 3, 2015**

(51) **LOC (10) Cl.** **14-64**

(52) **U.S. Cl.**
USPC **D14/486**

(58) **Field of Classification Search**
USPC D14/485-495
CPC .. G06F 3/04817; G06F 3/0482; G06F 3/0481;
G06F 3/048; G06F 3/04855; G06F
3/0485; G06F 2203/04807; H04M
1/2477; H04L 12/581; H04L 12/1813;
H04N 1/00408-1/00437
See application file for complete search history.

(56) **References Cited**

U.S. PATENT DOCUMENTS

7,707,514	B2 *	4/2010	Forstall	G06F 3/0486	715/741
D660,860	S *	5/2012	Louch	D14/485	
D687,840	S *	8/2013	Arnold	D14/485	
D688,676	S *	8/2013	Okumura	D14/486	
D688,690	S *	8/2013	Garn	D14/488	
D695,776	S *	12/2013	Edwards	D14/488	

D695,780	S *	12/2013	Edwards	D14/488
D704,729	S *	5/2014	Khanna	D14/488
D710,879	S *	8/2014	Elston	D14/488
D715,832	S *	10/2014	Lee	D14/488
D719,966	S *	12/2014	Ebtekar	D14/486

(Continued)

OTHER PUBLICATIONS

U.S. Appl. No. 29/534,973; Display Screen With Animated User Interface; Alena Fong et al; filed Aug. 3, 2015.

Primary Examiner — Barbara Fox

Assistant Examiner — Dana K Weiland

(74) *Attorney, Agent, or Firm* — Finnegan, Henderson, Farabow, Garrett and Dunner LLP

(57) **CLAIM**

The ornamental design for a display screen with animated graphical user interface, as shown and described.

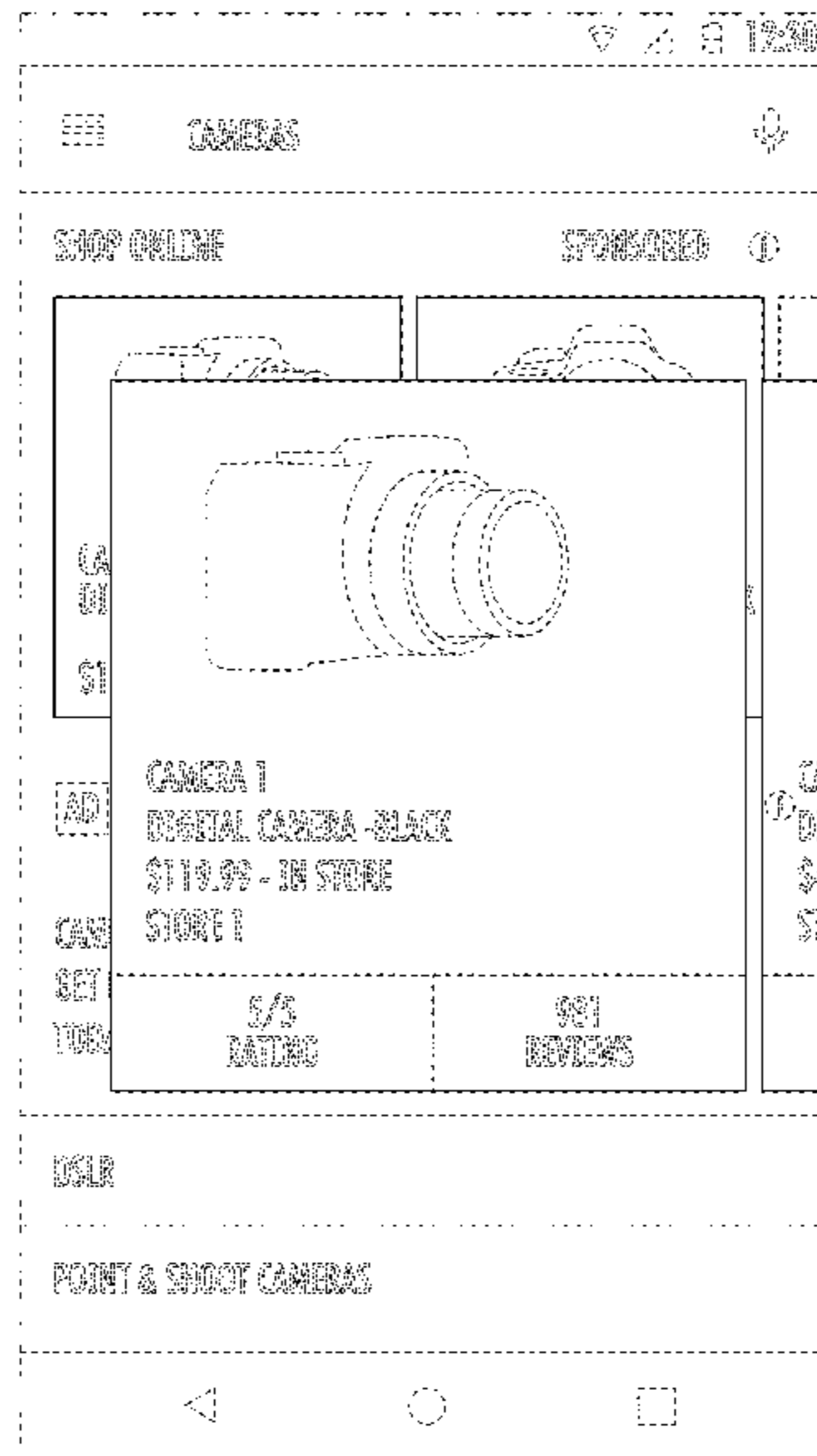
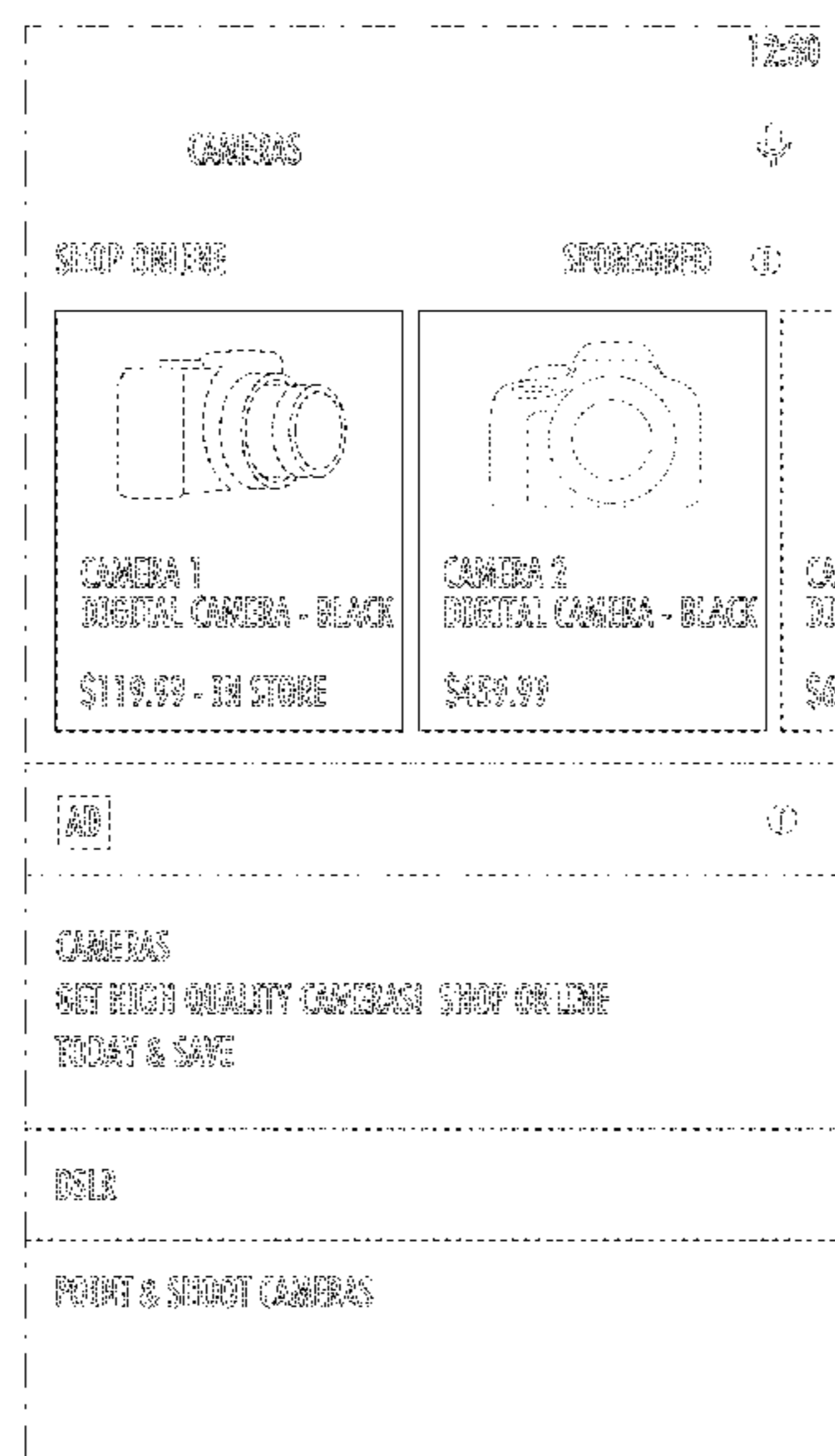
DESCRIPTION

FIG. 1 is a front view of a first image of a display screen with animated graphical user interface showing the new design; FIG. 2 is a front view of a second image of FIG. 1; FIG. 3 is a front view of a third image of FIG. 1; and, FIG. 4 is a front view of a fourth image of FIG. 1.

The appearance of the transitional image sequentially transitions between the images shown in FIGS. 1-4. The process or period in which an image transitions to another image forms no part of the claimed design.

The broken lines of uneven length show the display screen. The broken lines of even length shown in the drawings illustrate portions of the display screen with animated graphical user interface that form no part of the claimed design.

1 Claim, 4 Drawing Sheets



(56)

References Cited

U.S. PATENT DOCUMENTS

D726,760	S *	4/2015	Yokota	D14/488
D732,562	S *	6/2015	Yan	D14/486
D732,570	S *	6/2015	Choi	D14/488
D734,766	S *	7/2015	Hyo-Sang	D14/485
D735,744	S *	8/2015	Hwang	D14/486
D738,394	S *	9/2015	Chaudhri	D14/486
D739,424	S *	9/2015	Ku	D14/486
D746,866	S *	1/2016	Memoria	D14/492
D753,158	S *	4/2016	Mezzanotte	D14/486
D754,703	S *	4/2016	Moon	D14/486
9,310,925	B2 *	4/2016	Fujii	G06F 3/0416
D757,058	S *	5/2016	Kai	D14/486
D760,243	S *	6/2016	Ostrowski	D14/485
9,389,723	B2 *	7/2016	Kim	G06F 3/04883
D763,906	S *	8/2016	Seo	D14/486
D764,533	S *	8/2016	Seo	D14/488
D764,534	S *	8/2016	Seo	D14/488
2001/0011365	A1 *	8/2001	Helfman	G06F 17/30873
					717/100
2007/0192739	A1 *	8/2007	Hunleth	G06F 3/0481
					715/823
2009/0271723	A1 *	10/2009	Matsushima	G06F 3/0482
					715/769
2010/0302249	A1 *	12/2010	Fowler	G06T 3/00
					345/440
2011/0061006	A1 *	3/2011	Song	H04M 1/27455
					715/760
2013/0145295	A1 *	6/2013	Bocking	G06F 3/017
					715/764
2014/0359517	A1 *	12/2014	Elings	G06F 3/0483
					715/776
2015/0169166	A1 *	6/2015	Kim	G06F 3/0488
					715/838
2016/0239854	A1 *	8/2016	Neal	H04L 67/22

* cited by examiner

12:30

CAMERAS

SHOP ONLINE SPONSORED

 <p>CAMERA 1 DIGITAL CAMERA - BLACK \$119.99 - IN STORE</p>	 <p>CAMERA 2 DIGITAL CAMERA - BLACK \$459.99</p>	CA DI \$6
---	--	-----------------

AD

CAMERAS
GET HIGH QUALITY CAMERAS! SHOP ONLINE
TODAY & SAVE

DSLR

POINT & SHOOT CAMERAS

FIG. 1

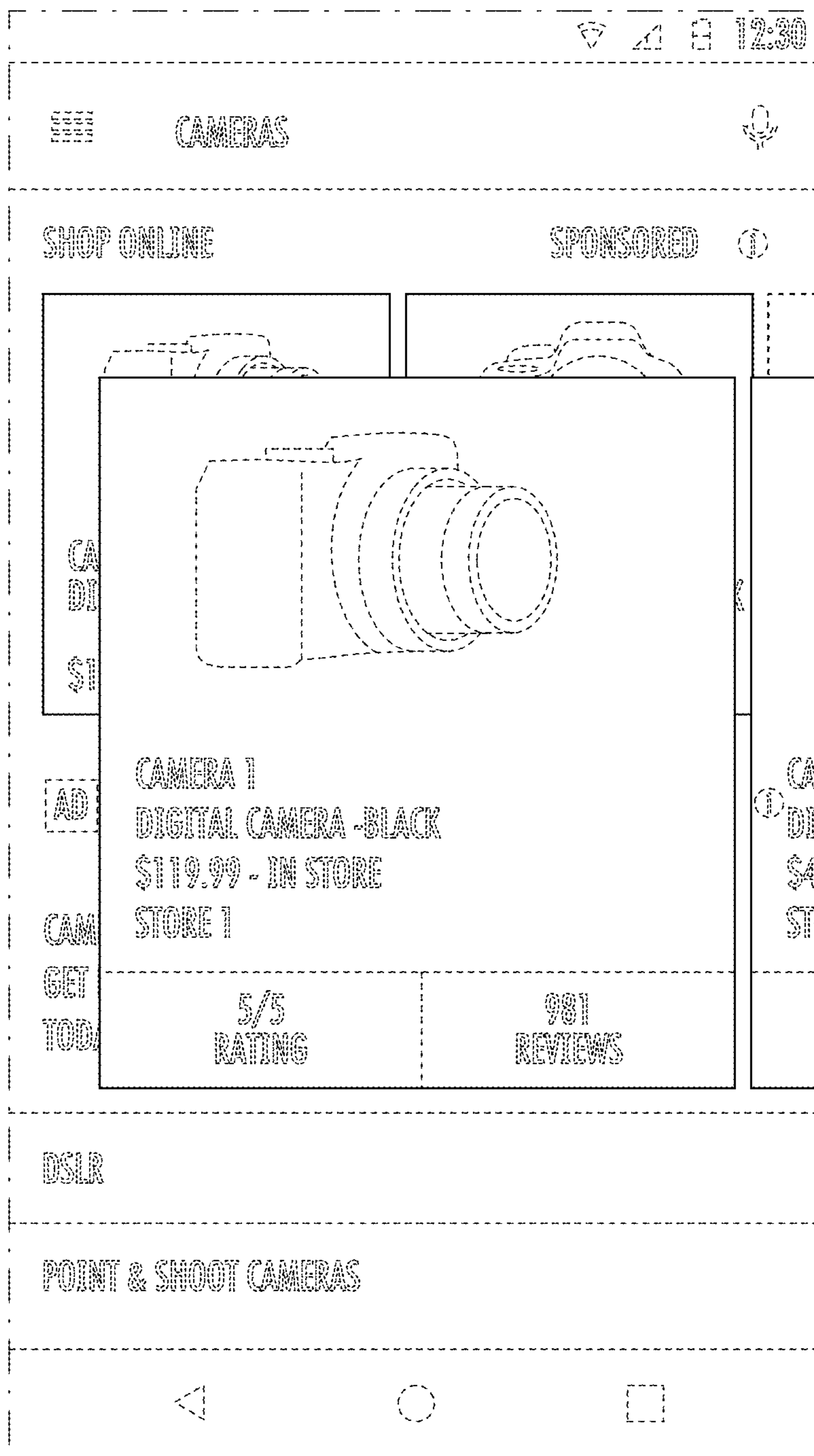


FIG. 2

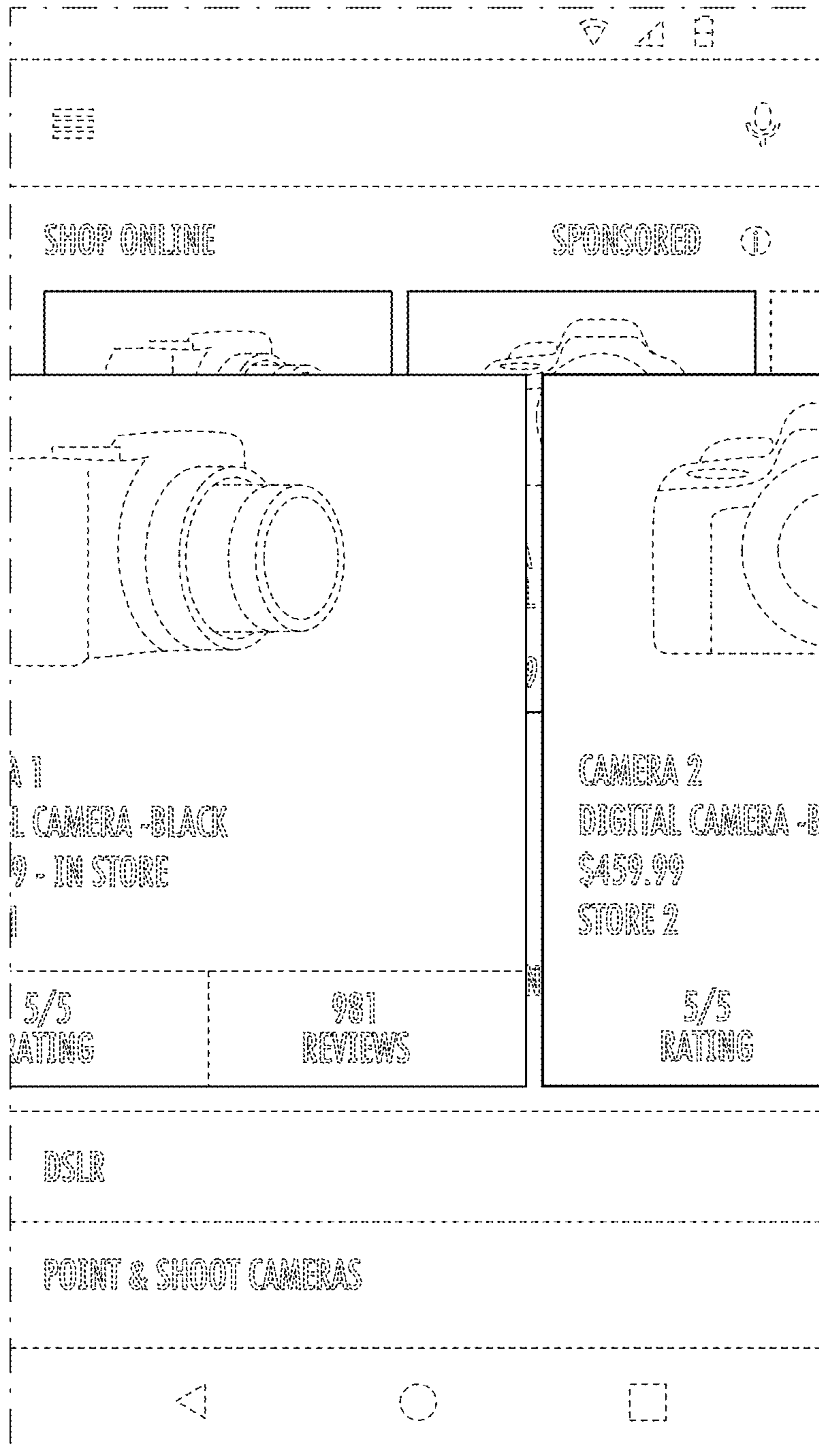


FIG. 3

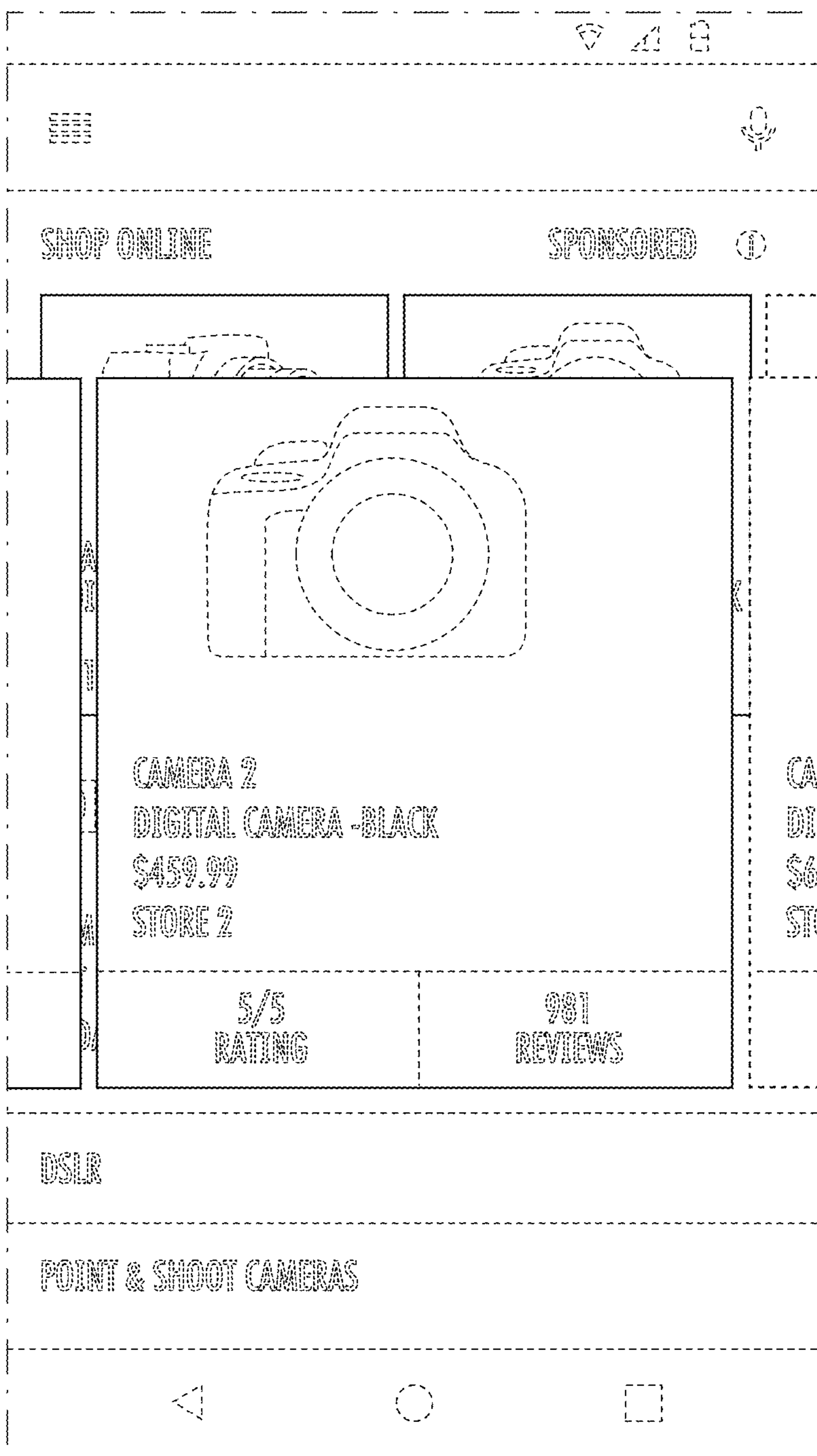


FIG. 4