



US00D781314S

(12) **United States Design Patent**
Aström et al.

(10) **Patent No.:** **US D781,314 S**
(45) **Date of Patent:** **** Mar. 14, 2017**

(54) **DISPLAY SCREEN OR PORTION THEREOF WITH A GRAPHICAL USER INTERFACE**

(71) Applicant: **Sapiens Steering Brain Stimulation B.V.**, Eindhoven (NL)

(72) Inventors: **Mattias Aström**, Veldhoven (NL); **Johan Gerard Kleibeuker**, Helvoirt (NL); **Hubert Cécile Francois Martens**, Eindhoven (NL)

(73) Assignee: **MEDTRONIC BAKKEN RESEARCH CENTER B.V.**, Maastricht (NL)

(**) Term: **14 Years**

(21) Appl. No.: **29/468,959**

(22) Filed: **Oct. 4, 2013**

(30) **Foreign Application Priority Data**

Apr. 5, 2013	(EM)	002215129-0001
Apr. 5, 2013	(EM)	002215129-0002
Apr. 5, 2013	(EM)	002215129-0003
Apr. 5, 2013	(EM)	002215129-0004
Apr. 5, 2013	(EM)	002215129-0005
Apr. 5, 2013	(EM)	002215129-0006

(51) **LOC (10) Cl.** **14-04**

(52) **U.S. Cl.**
USPC **D14/486**

(58) **Field of Classification Search**
USPC D14/485-495; D18/26, 31, 32, 33; D20/11, 12, 23, 24, 25, 29, 30, 31, 32, D20/36, 37, 38; 715/702, 764, 838
CPC G06F 3/048; G06F 3/0481; G06F 3/0482; G06F 3/04817; G06F 3/04812

See application file for complete search history.

(56) **References Cited**

U.S. PATENT DOCUMENTS

D553,142	S	*	10/2007	Blencowe	D14/486
D553,143	S	*	10/2007	Blencowe	D14/486
D684,587	S	*	6/2013	Plesnicher	D14/486
D711,904	S	*	8/2014	Sundy	D14/486

(Continued)

Primary Examiner — Darlington Ly

(74) *Attorney, Agent, or Firm* — Shumaker & Sieffert, P.A.

(57) **CLAIM**

The ornamental design for a display screen or portion thereof with a graphical user interface, as shown and described.

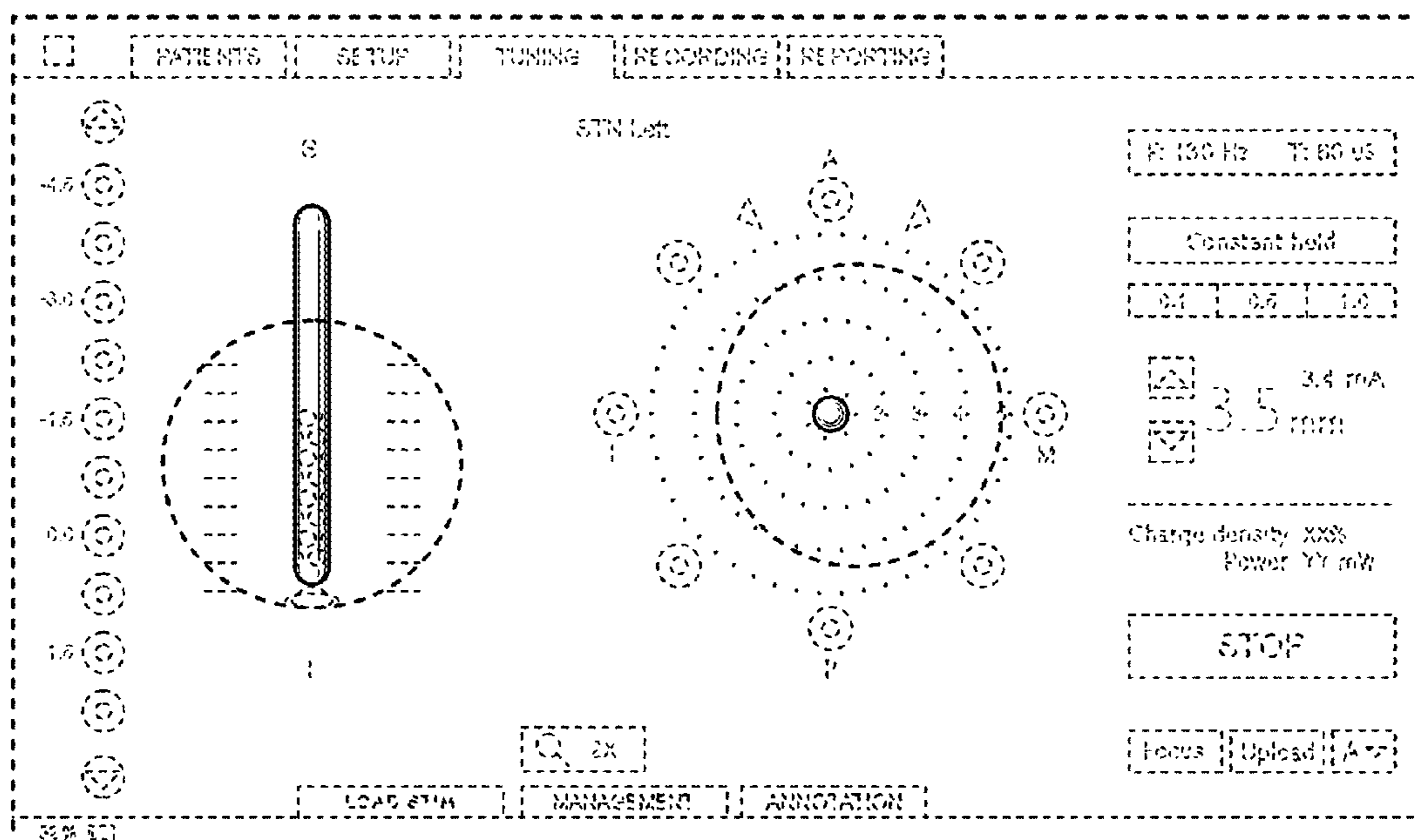
DESCRIPTION

FIG. 1 is a front view of the display screen or portion thereof with a graphical user interface in accordance with a first embodiment of our new design; and,

FIG. 2 is a front view of the display screen or portion thereof with a graphical user interface in accordance with a second embodiment of our new design.

The broken lines shown in the drawings represent portions of the display screen or portion thereof with a graphical user interface that form no part of the claimed design. Specifically, none of the broken lines, in any style, form part of the claimed design. Although multiple different styles of broken lines are shown, none of these broken lines in any of the various styles shown form part of the claimed design. In particular, dotted lines, dashed lines, and any other broken lines of any variety of line weights form no part of the claimed design. Likewise, the dotted pattern within the tubular bar, the dotted concentric circling, and the heavier dotted circle do not form part of the claimed design. Only the solid lines shown form the claimed design.

1 Claim, 2 Drawing Sheets



(56)

References Cited

U.S. PATENT DOCUMENTS

D711,905	S *	8/2014	Morrison	D14/486
D715,313	S *	10/2014	Hontz, Jr.	D14/485
D716,325	S *	10/2014	Brudnicki	D14/486
D735,733	S *	8/2015	Hontz, Jr.	D14/485
D735,740	S *	8/2015	Yoneda	D14/486
D737,286	S *	8/2015	Folken	D14/485
2012/0303088	A1 *	11/2012	Van Kaam	A61B 5/062 607/45
2014/0172045	A1 *	6/2014	Yip	A61N 1/37247 607/59
2015/0246231	A1 *	9/2015	Martens	A61N 1/3605 705/2

* cited by examiner

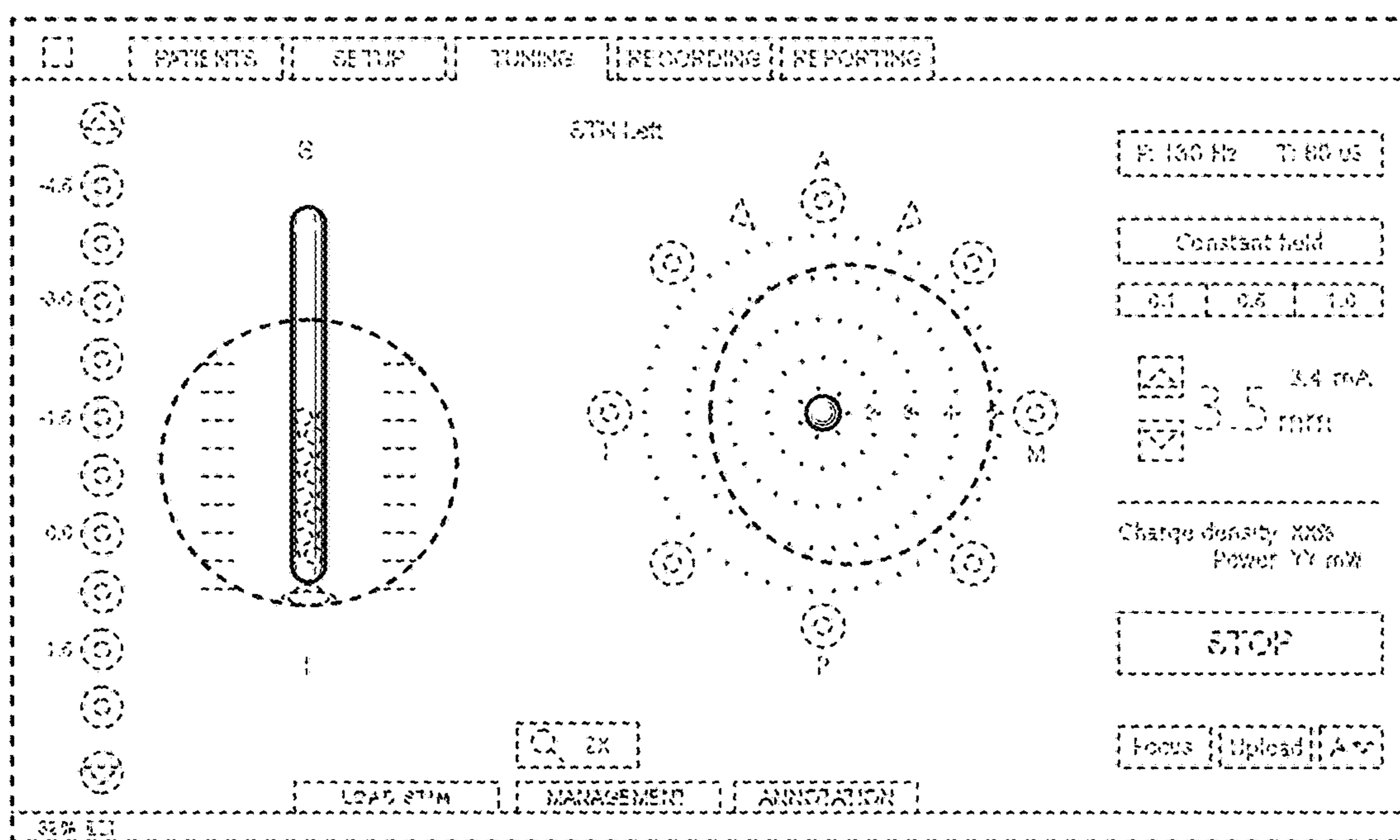


FIG. 1

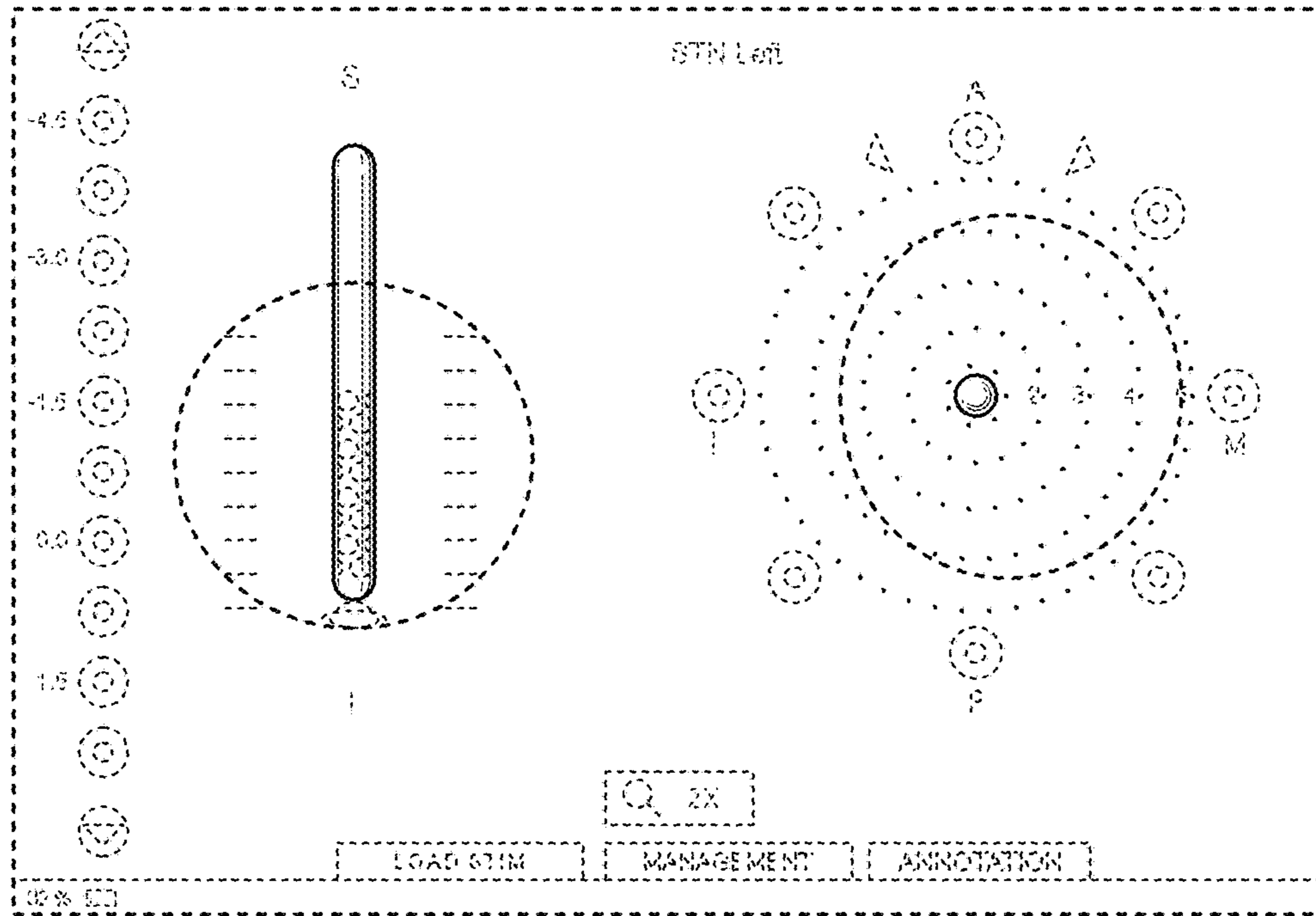


FIG. 2