



US00D781297S

(12) **United States Design Patent** (10) **Patent No.:** **US D781,297 S**
Liao (45) **Date of Patent:** **** Mar. 14, 2017**

(54) **UNIVERSAL VENT CLIP CAR MOUNT**

(71) Applicant: **Superior Communications, Inc.**,
Irwindale, CA (US)

(72) Inventor: **Anzhang Liao**, Dongguan (CN)

(73) Assignee: **Superior Communications, Inc.**,
Irwindale, CA (US)

(**) Term: **15 Years**

(21) Appl. No.: **29/560,872**

(22) Filed: **Apr. 11, 2016**

(51) **LOC (10) Cl.** **08-07**

(52) **U.S. Cl.**
USPC **D14/447**

(58) **Field of Classification Search**
USPC D14/447, 432, 434, 439, 440, 451, 452,
D14/457, 239; D8/363, 373, 380;
D6/406.3, 406.4, 406.5, 406.6; D12/415
CPC A47B 21/04; A47B 2097/006; A47B
2097/005; A47B 2023/049; A45C
2011/002; A45C 2011/003; F16M
2200/00; F16M 13/00
See application file for complete search history.

(56) **References Cited**

U.S. PATENT DOCUMENTS

D690,707 S * 10/2013 Minn D14/447
D692,897 S * 11/2013 Luijben D14/447
D696,673 S * 12/2013 Vogel D14/447

D696,674 S * 12/2013 Vogel D14/447
D723,573 S * 3/2015 Padro D14/447
D733,115 S * 6/2015 Aspinall D14/253
D748,935 S * 2/2016 Jiang D14/235
D749,080 S * 2/2016 Su D14/447
D750,612 S * 3/2016 Chen D14/253
D750,633 S * 3/2016 Minn D14/447
D765,651 S * 9/2016 Liu D14/253
D769,860 S * 10/2016 Xiao D14/253
2014/0138419 A1 * 5/2014 Minn B60R 11/0241
224/567

* cited by examiner

Primary Examiner — Angela J Lee

(74) *Attorney, Agent, or Firm* — Snell & Wilmer LLP

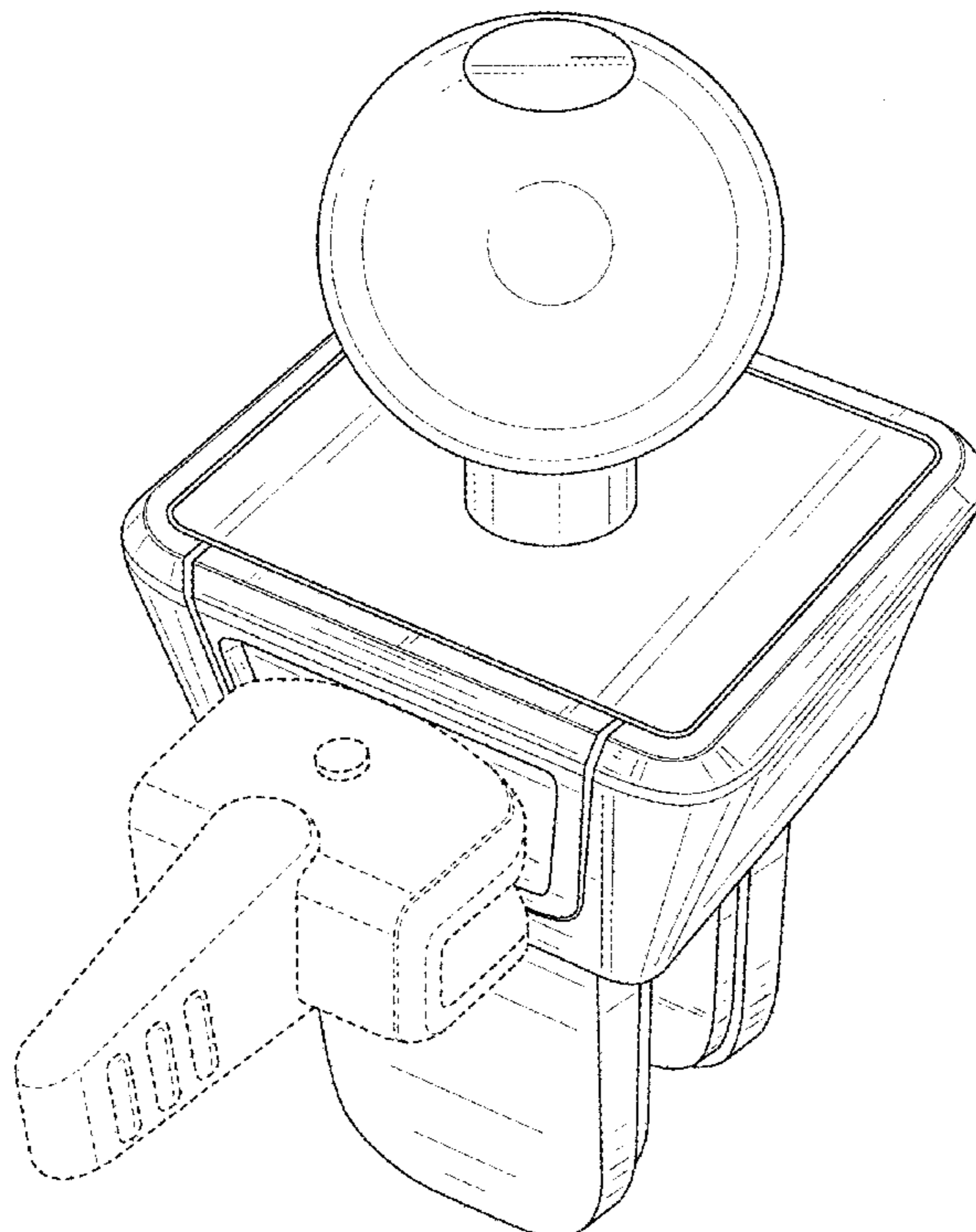
(57) **CLAIM**

The ornamental design for a universal vent clip car mount,
as shown and described.

DESCRIPTION

FIG. 1 is a front perspective view of a universal vent clip car
mount showing my new design;
FIG. 2 is a front view thereof;
FIG. 3 is a rear view thereof;
FIG. 4 is a left view thereof;
FIG. 5 is a right view thereof;
FIG. 6 is a top view thereof; and,
FIG. 7 is a bottom view thereof.
The broken lines shown in FIGS. 1 through 7 illustrate
portions of the universal vent clip car mount which form no
part of the claimed design.

1 Claim, 7 Drawing Sheets



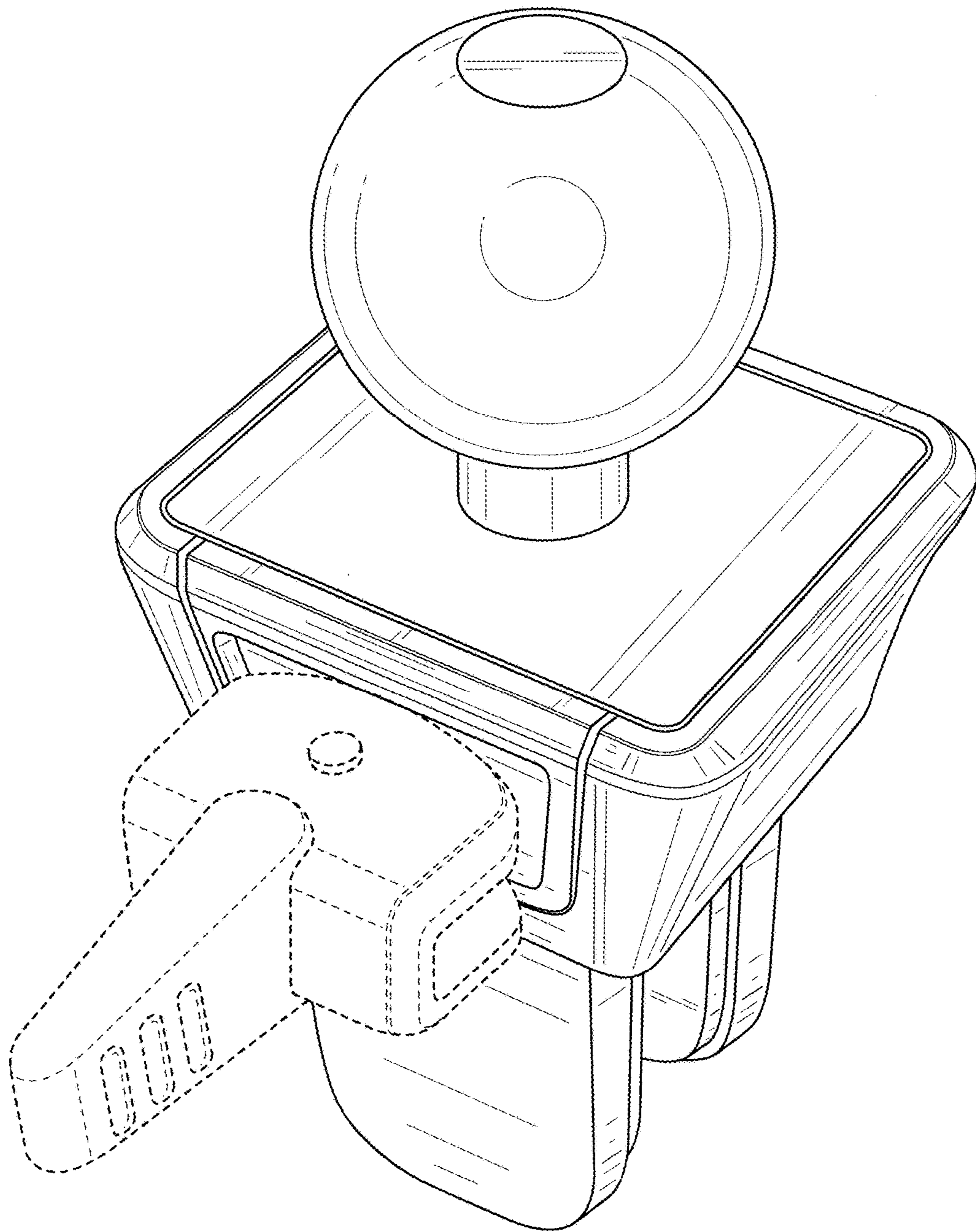


FIG. 1

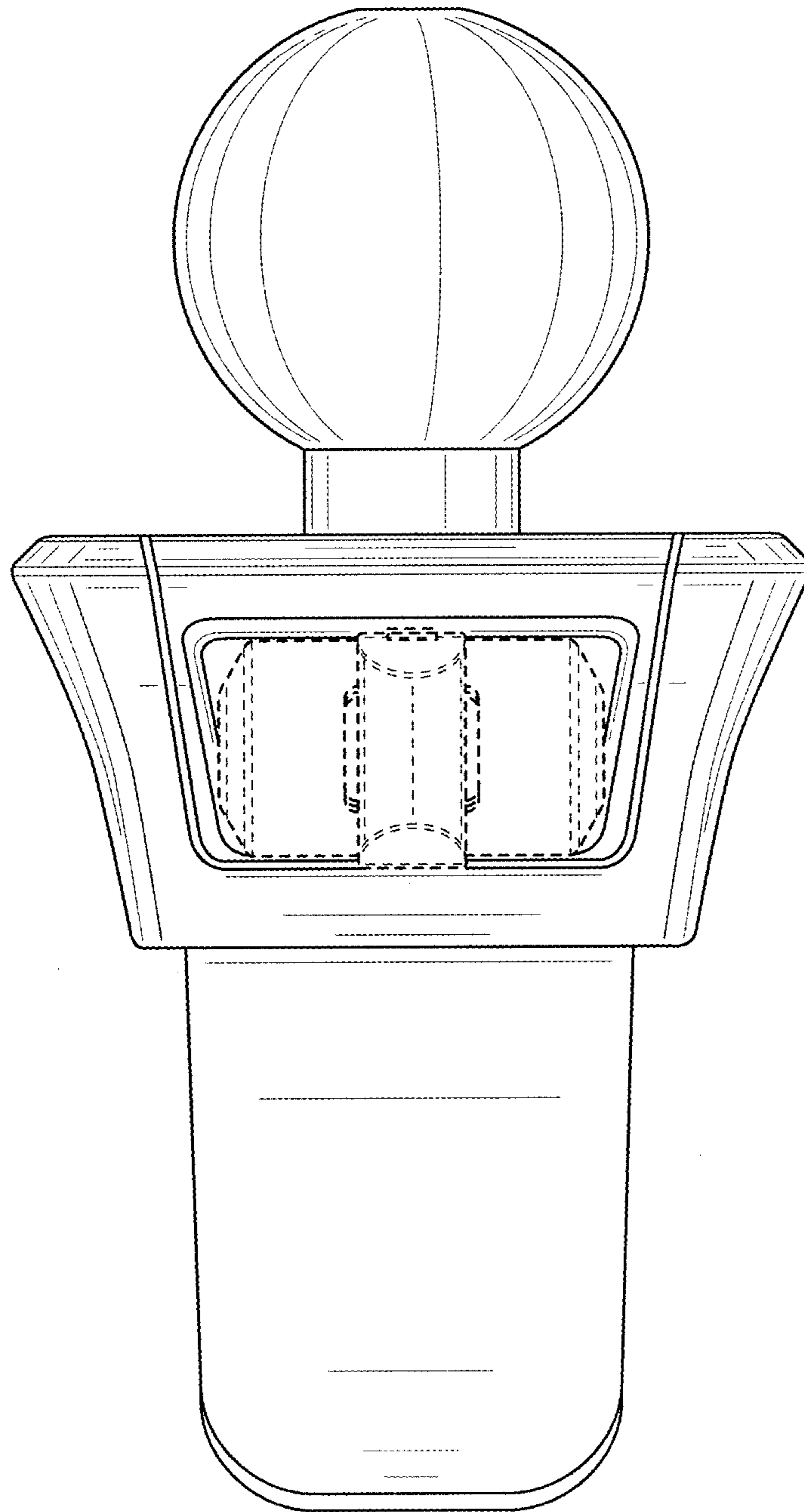


FIG. 2

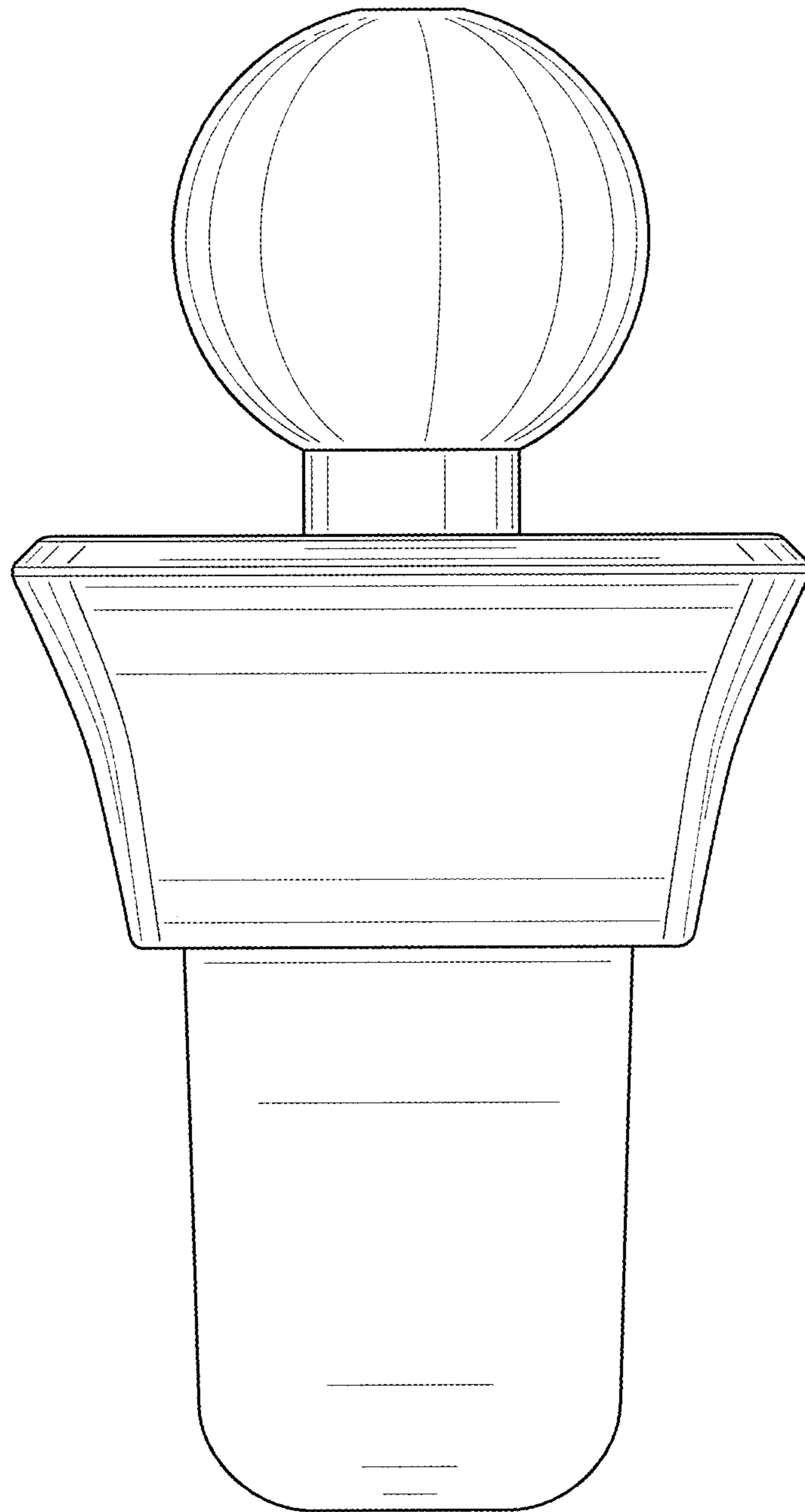


FIG. 3

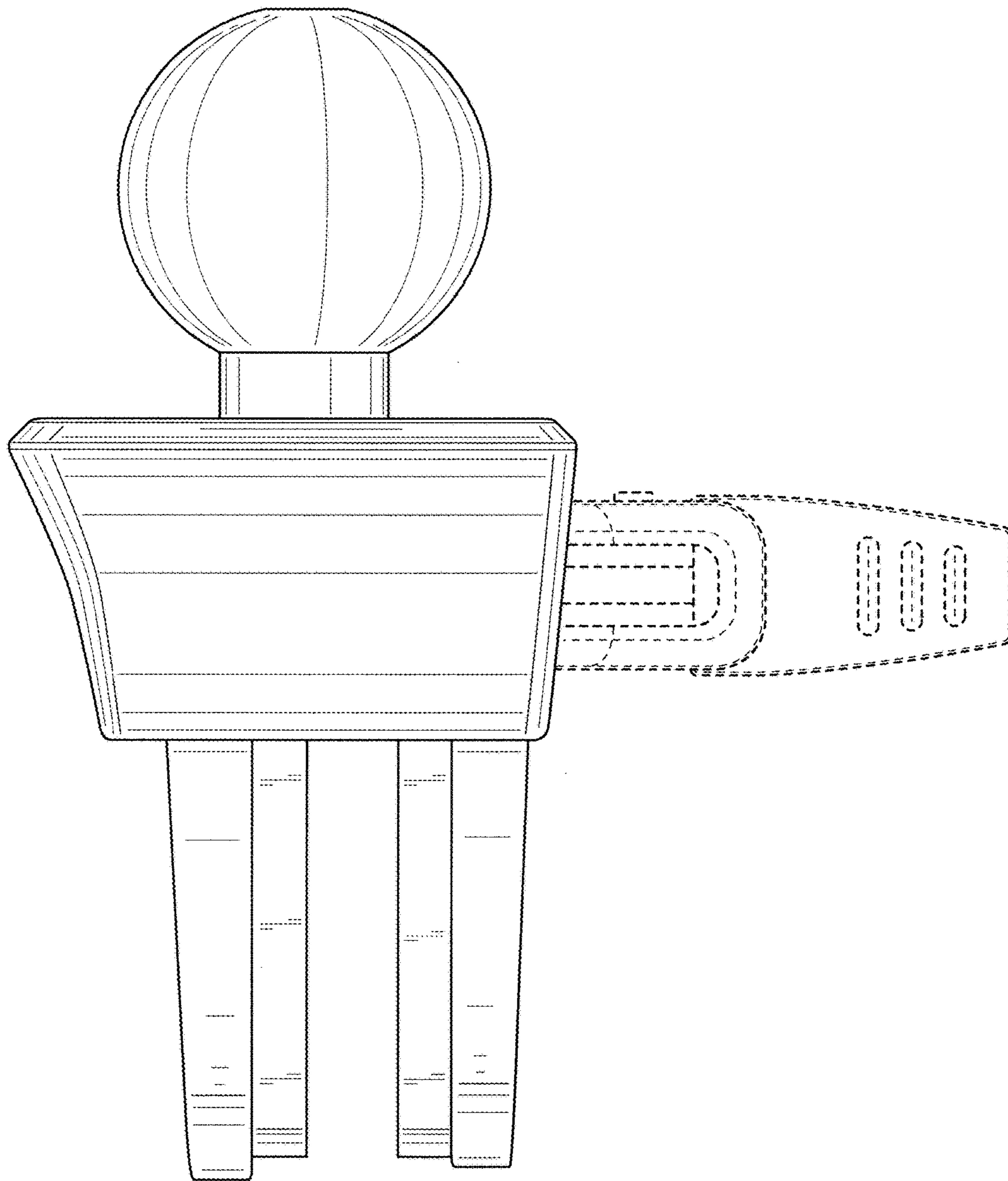


FIG. 4

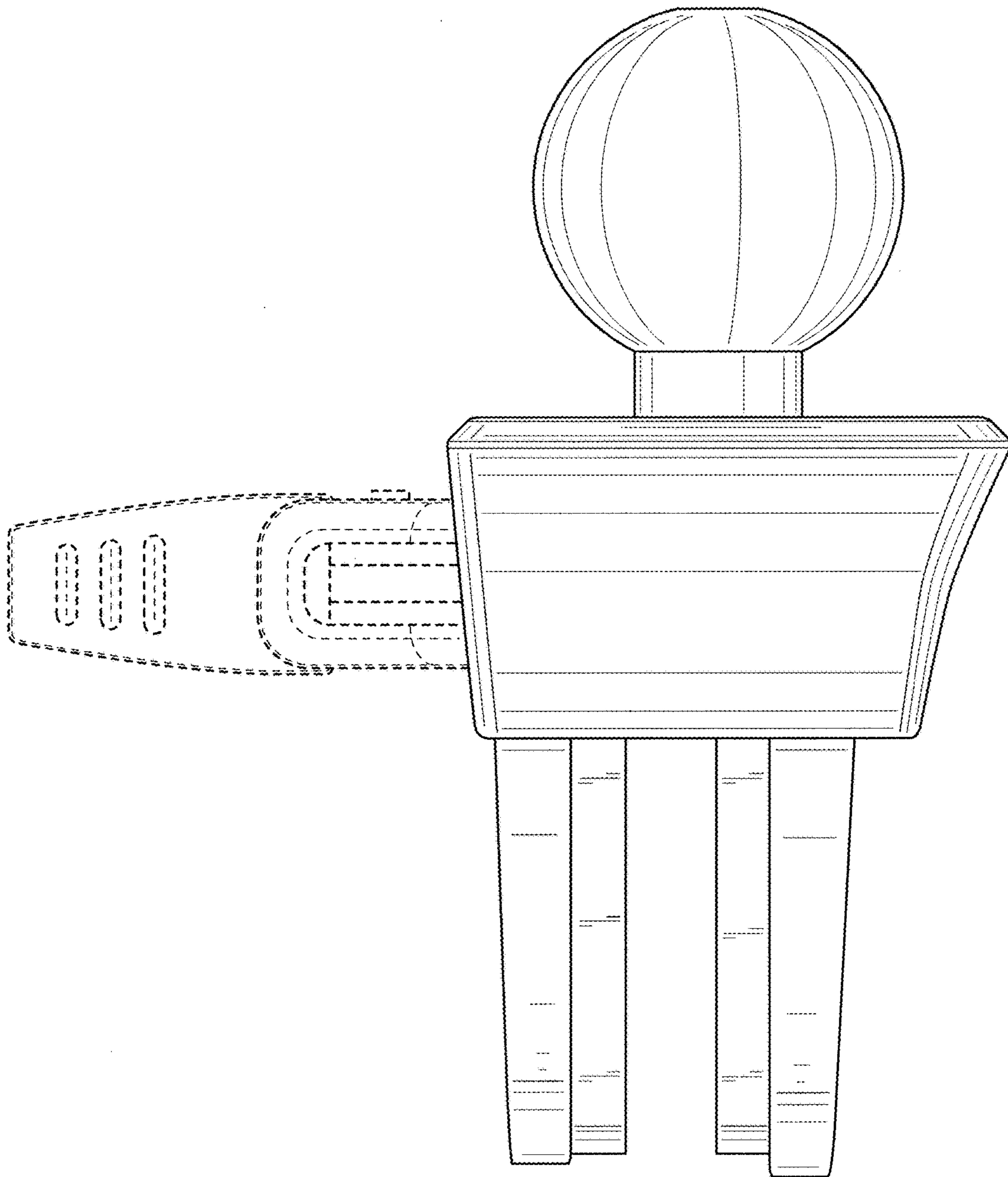


FIG. 5

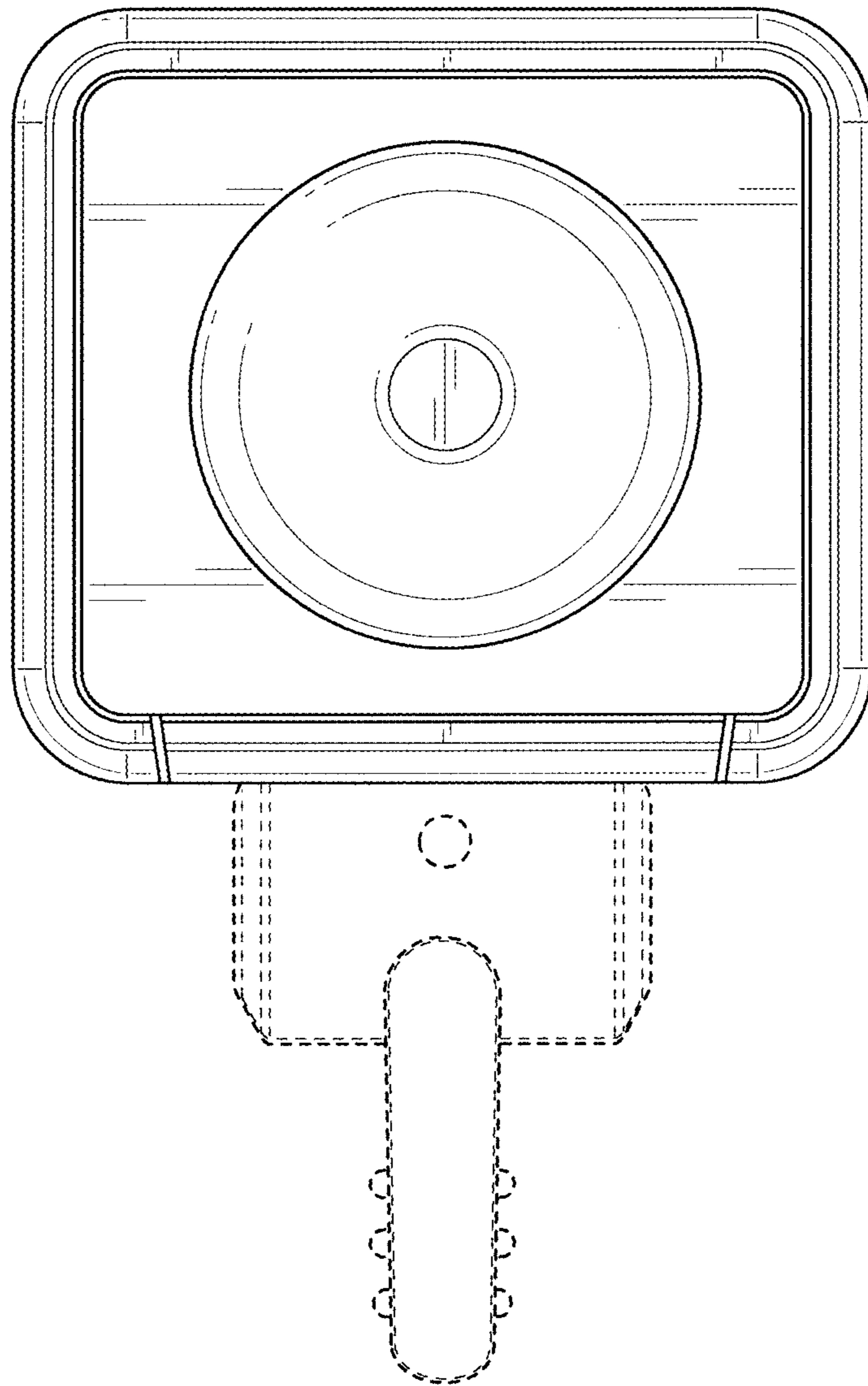


FIG. 6

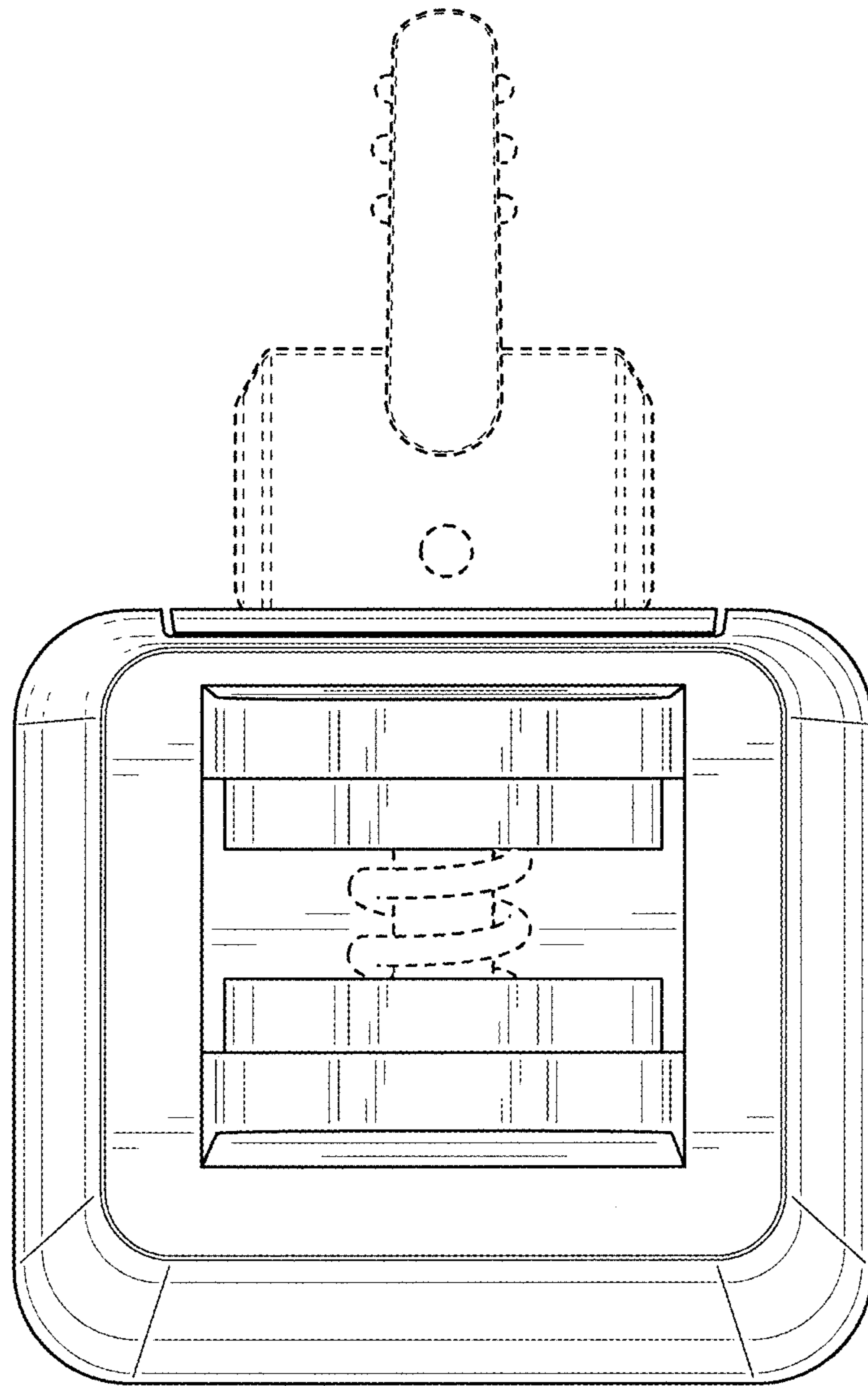


FIG. 7