



US00D781294S

(12) **United States Design Patent**
Schwalbach et al.

(10) **Patent No.:** **US D781,294 S**
(45) **Date of Patent:** **** Mar. 14, 2017**

(54) **CONNECTOR**

(71) Applicant: **Apple Inc.**, Cupertino, CA (US)

(72) Inventors: **Charles A. Schwalbach**, Menlo Park, CA (US); **Liane Fang**, Redwood City, CA (US)

(73) Assignee: **Apple Inc.**, Cupertino, CA (US)

(**) Term: **15 Years**

(21) Appl. No.: **29/567,516**

(22) Filed: **Jun. 9, 2016**

Related U.S. Application Data

(63) Continuation of application No. 29/523,464, filed on Apr. 9, 2015, now Pat. No. Des. 759,017.

(51) **LOC (10) Cl.** **14-02**

(52) **U.S. Cl.**
USPC **D14/433**

(58) **Field of Classification Search**
USPC D14/356, 432-434, 453, 454, 511, 203.8, D14/209.1, 238.1, 240, 125; 439/638, 439/928, 105, 502; 710/303, 304; 361/679.41, 679.55, 679.56; D13/110, D13/133, 146
CPC H01R 24/64; H01R 24/62; H01R 12/714; H01R 13/506; H01R 13/6658
See application file for complete search history.

(56) **References Cited**

U.S. PATENT DOCUMENTS

D600,652 S	*	9/2009	Hong	D13/154
D604,725 S		11/2009	Chen		
D628,537 S	*	12/2010	Nagata	D13/147
D636,337 S	*	4/2011	Smith	D13/147
D683,703 S	*	6/2013	Akana	D13/147

D684,976 S		6/2013	Akana et al.
D691,095 S		10/2013	Izen et al.
8,696,383 B2		4/2014	Do
8,734,169 B2		5/2014	Werner et al.
D707,680 S		6/2014	Akana et al.
9,011,176 B2		4/2015	Tziviskos et al.
D729,806 S		5/2015	Park et al.

(Continued)

Primary Examiner — Austin Murphy

(74) *Attorney, Agent, or Firm* — Sterne, Kessler, Goldstein & Fox P.L.L.C.

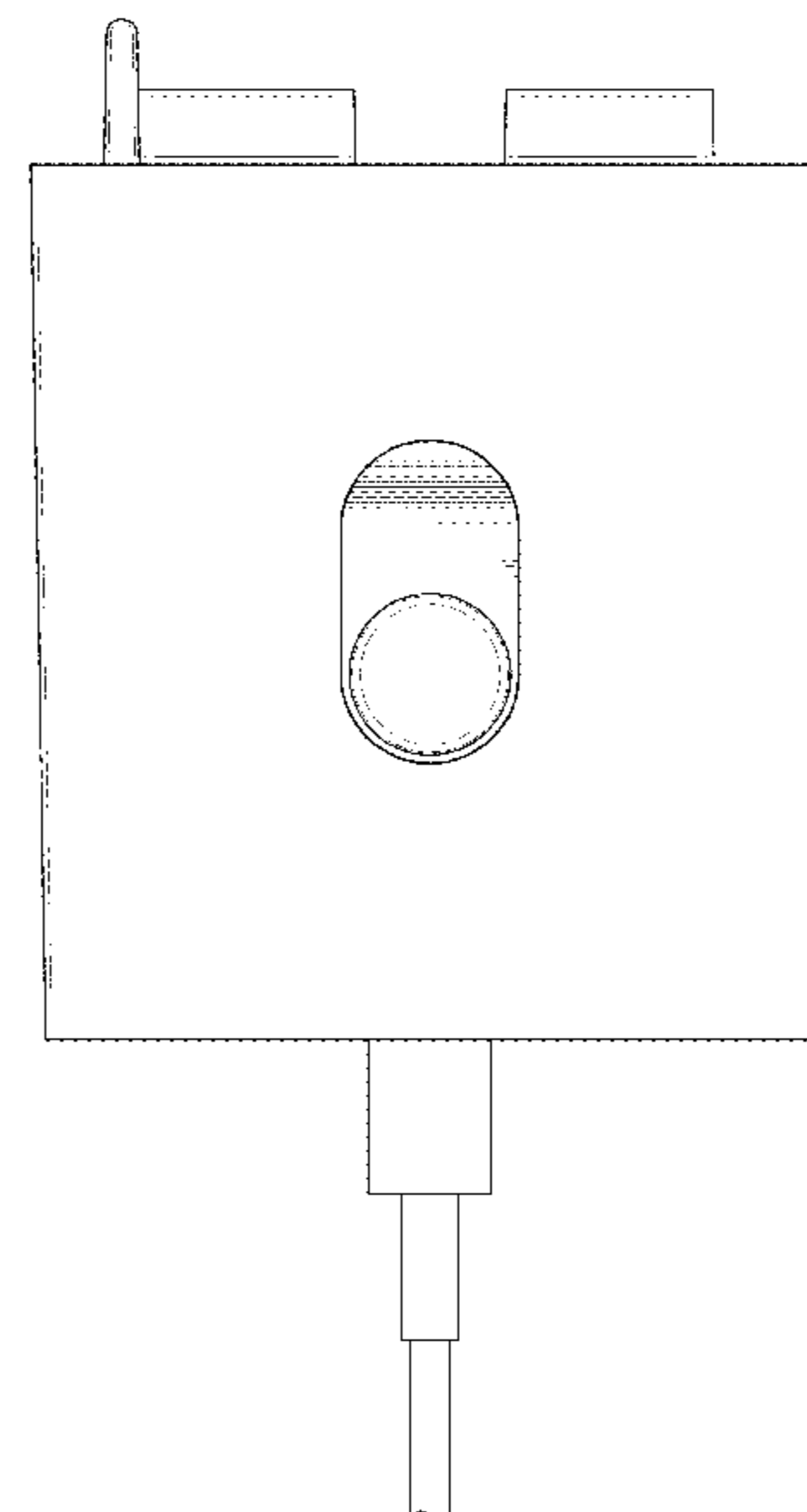
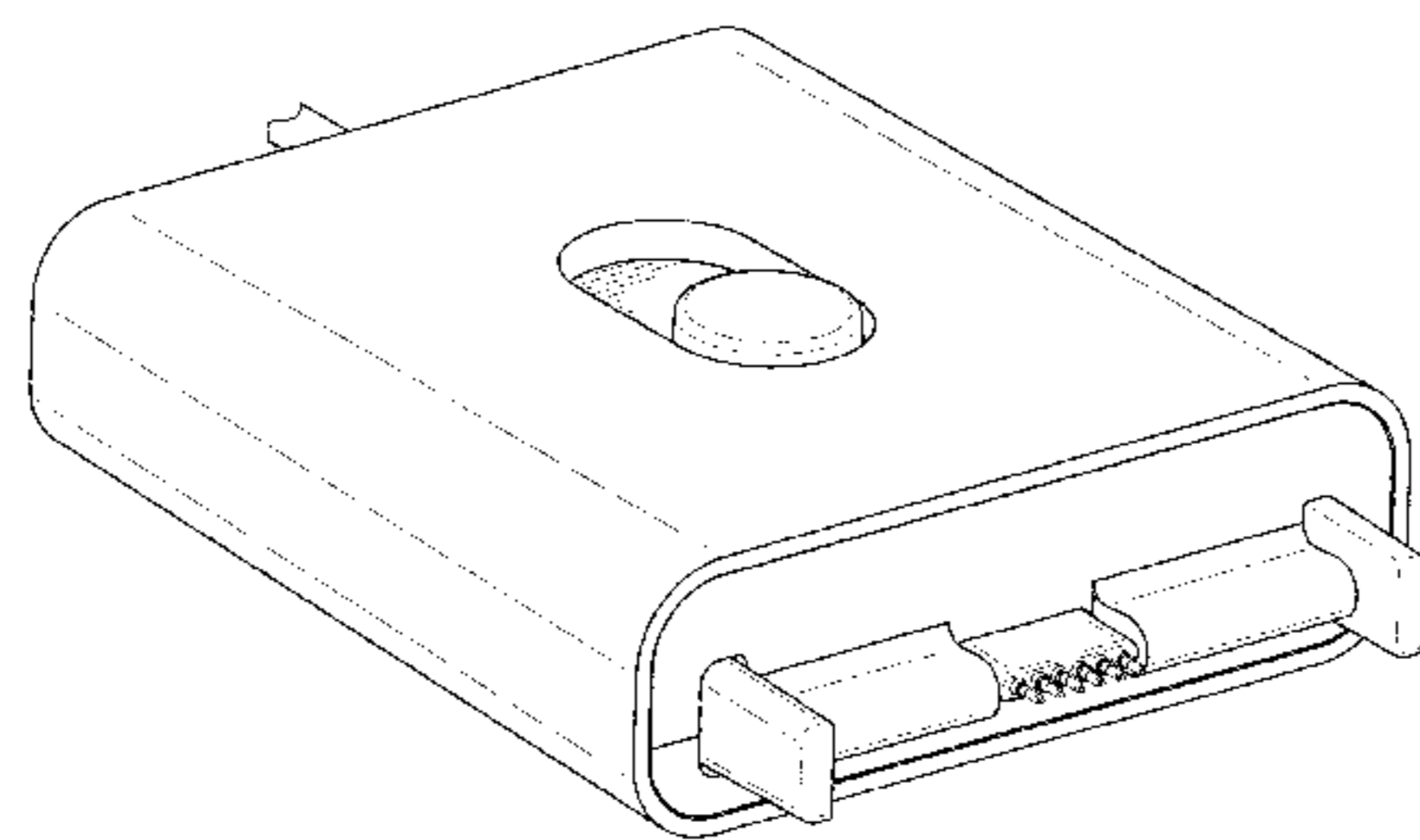
(57) **CLAIM**

The ornamental design for a connector, as shown and described.

DESCRIPTION

FIG. 1 is a top front perspective view of a connector showing the claimed design;
 FIG. 2 is a front view thereof;
 FIG. 3 is a rear view thereof;
 FIG. 4 is a right side view thereof;
 FIG. 5 is a left side view thereof;
 FIG. 6 is a top view thereof;
 FIG. 7 is a bottom view thereof;
 FIG. 8 is a top front perspective view thereof in a retracted configuration;
 FIG. 9 is a front view thereof in the retracted configuration;
 FIG. 10 is a rear view thereof in the retracted configuration;
 FIG. 11 is a right side view thereof in the retracted configuration;
 FIG. 12 is a left side view thereof in the retracted configuration;
 FIG. 13 is a top view thereof in the retracted configuration;
 and,
 FIG. 14 is a bottom view thereof in the retracted configuration.

1 Claim, 12 Drawing Sheets



(56)

References Cited

U.S. PATENT DOCUMENTS

D730,903 S * 6/2015 Langhammer D14/433
D731,488 S 6/2015 Lee
D731,489 S * 6/2015 Langhammer D14/433
D732,035 S 6/2015 Akana et al.
D732,536 S 6/2015 Kang et al.
D738,503 S * 9/2015 Md Kassim D24/150
D759,017 S * 6/2016 Schwalbach D14/433
9,490,595 B2 * 11/2016 Little H01R 13/6594
2007/0229025 A1 * 10/2007 Tsai H01R 13/2442
320/111
2007/0293079 A1 * 12/2007 Chao H01R 13/6275
439/352
2010/0151734 A1 * 6/2010 Wu H01R 13/648
439/607.57
2011/0199729 A1 * 8/2011 Hsieh H01R 13/193
361/679.33

* cited by examiner

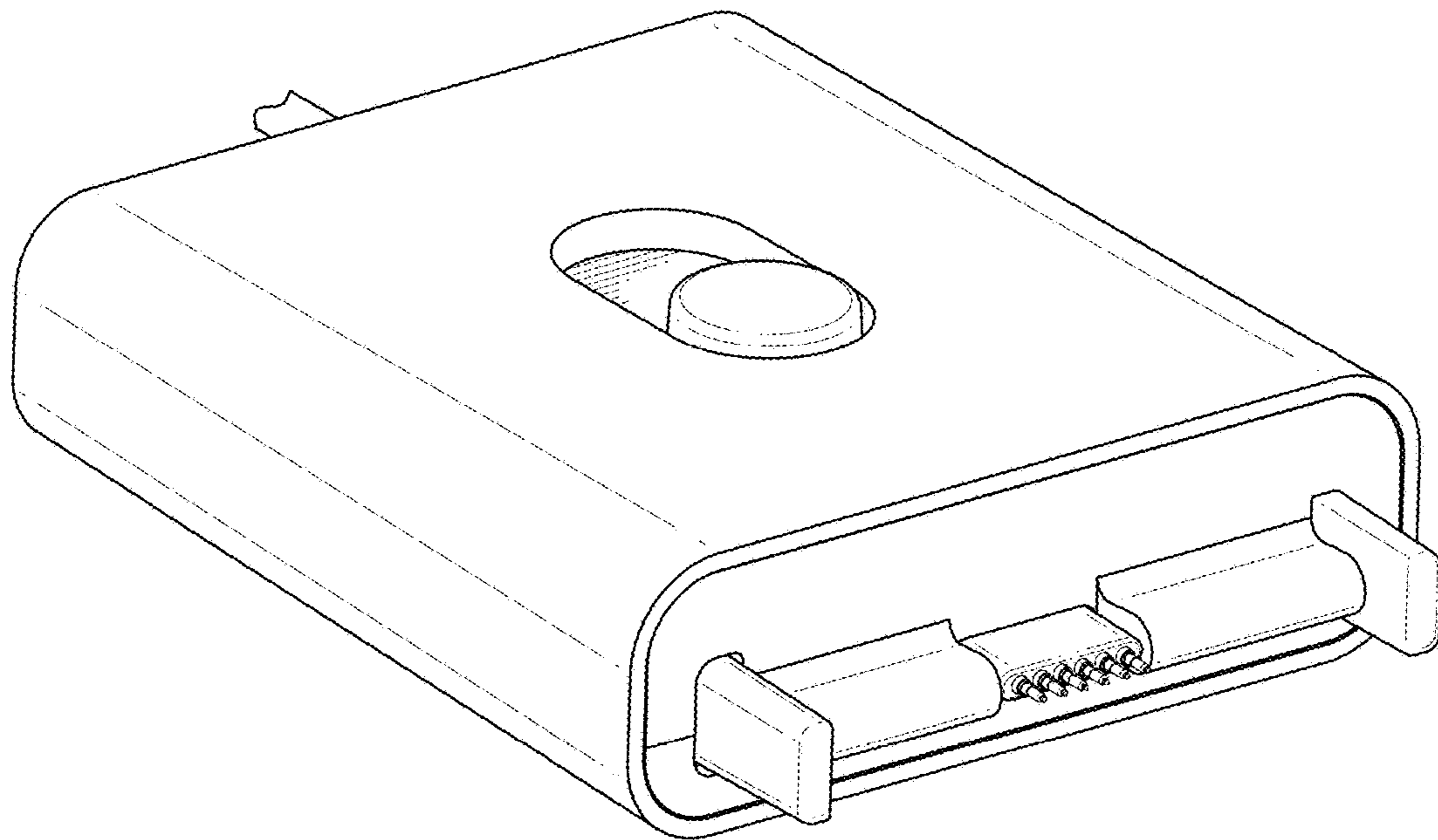


FIG. 1

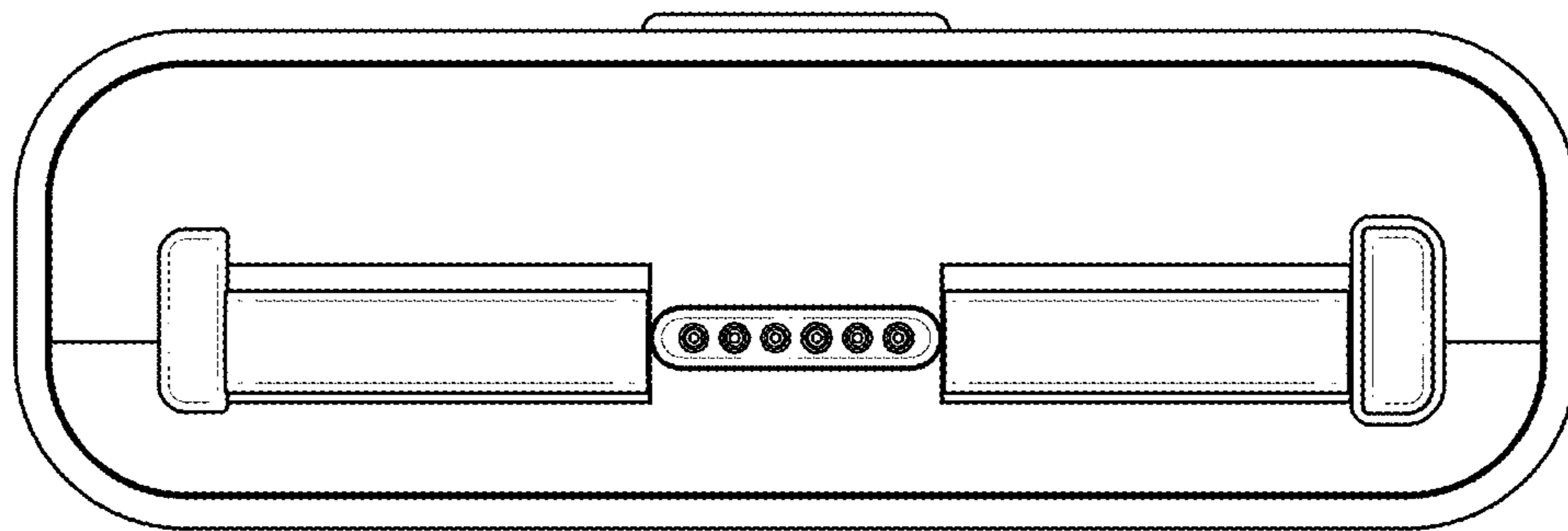


FIG. 2

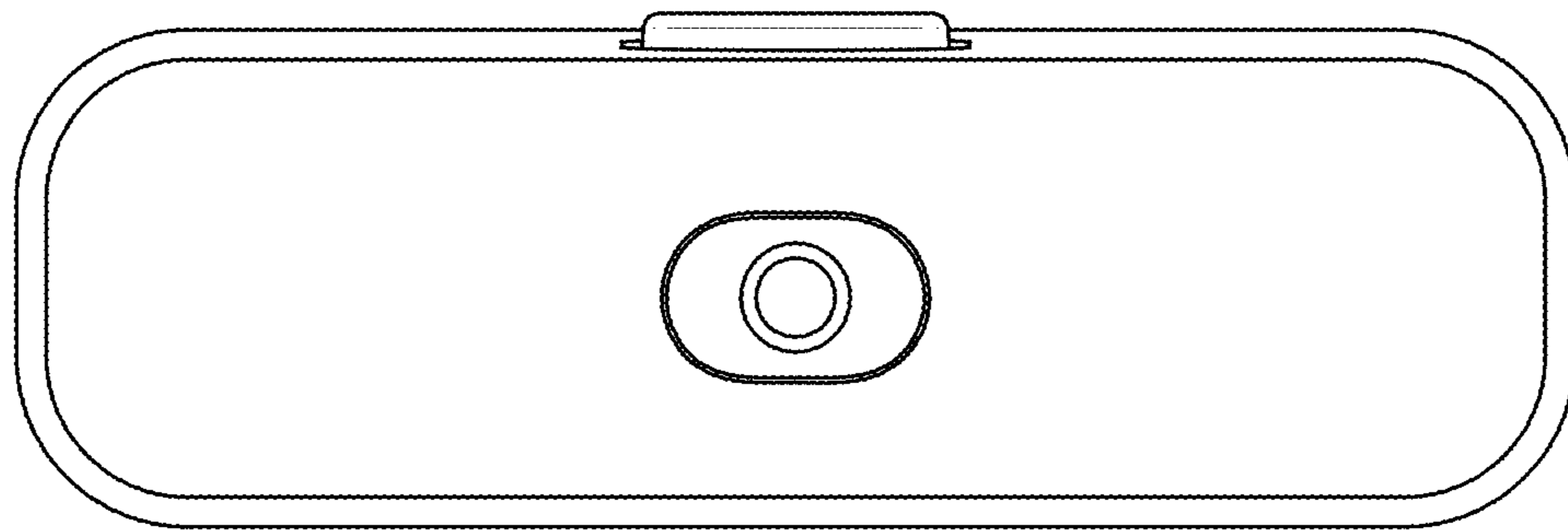


FIG. 3

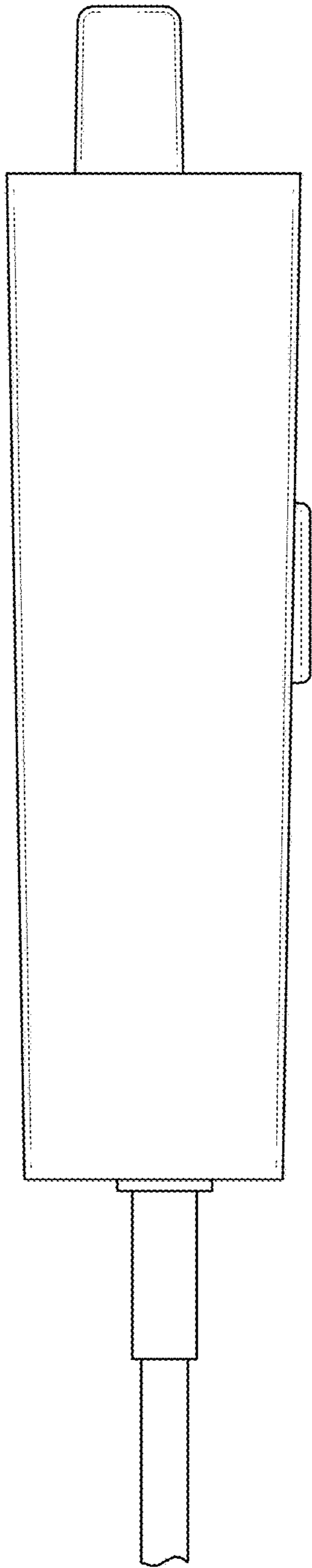


FIG. 4

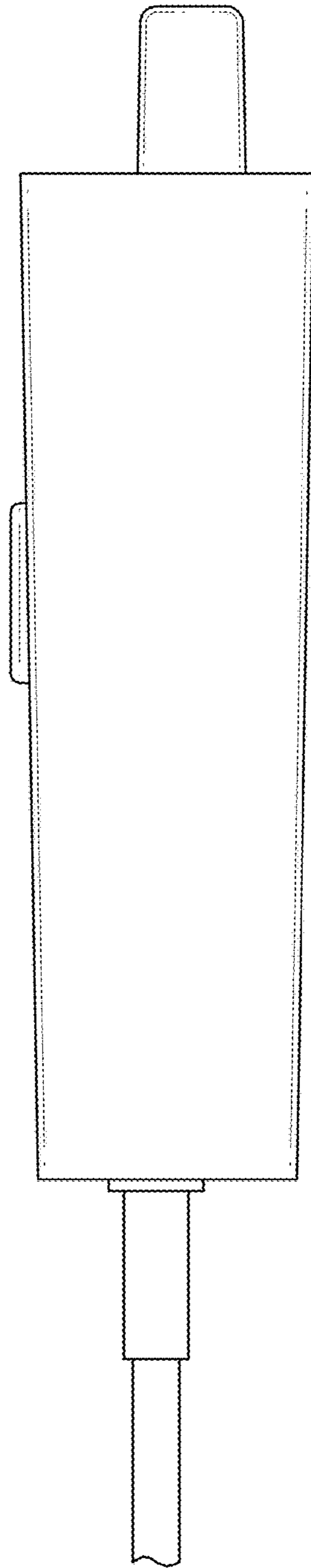


FIG. 5

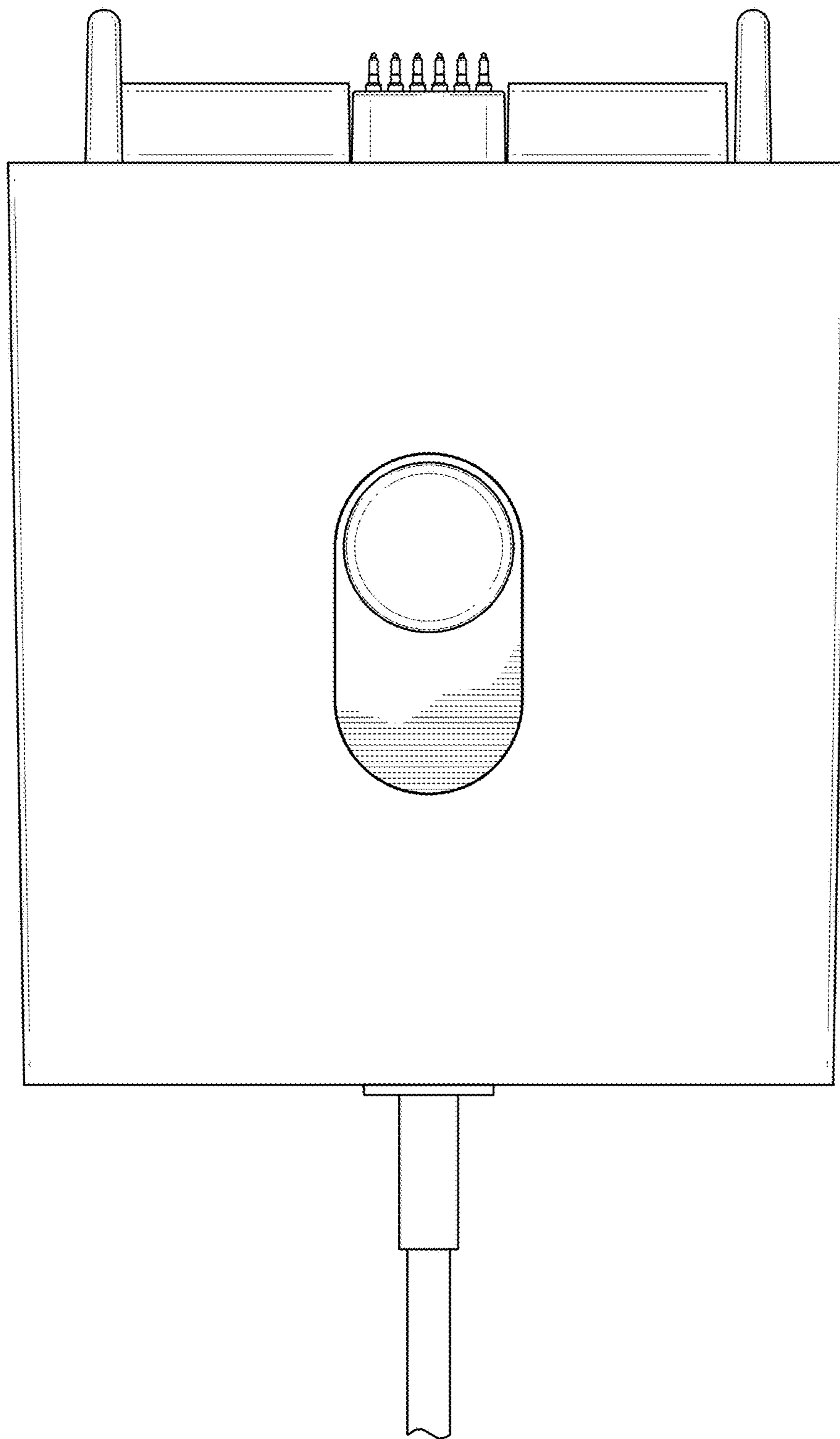


FIG. 6

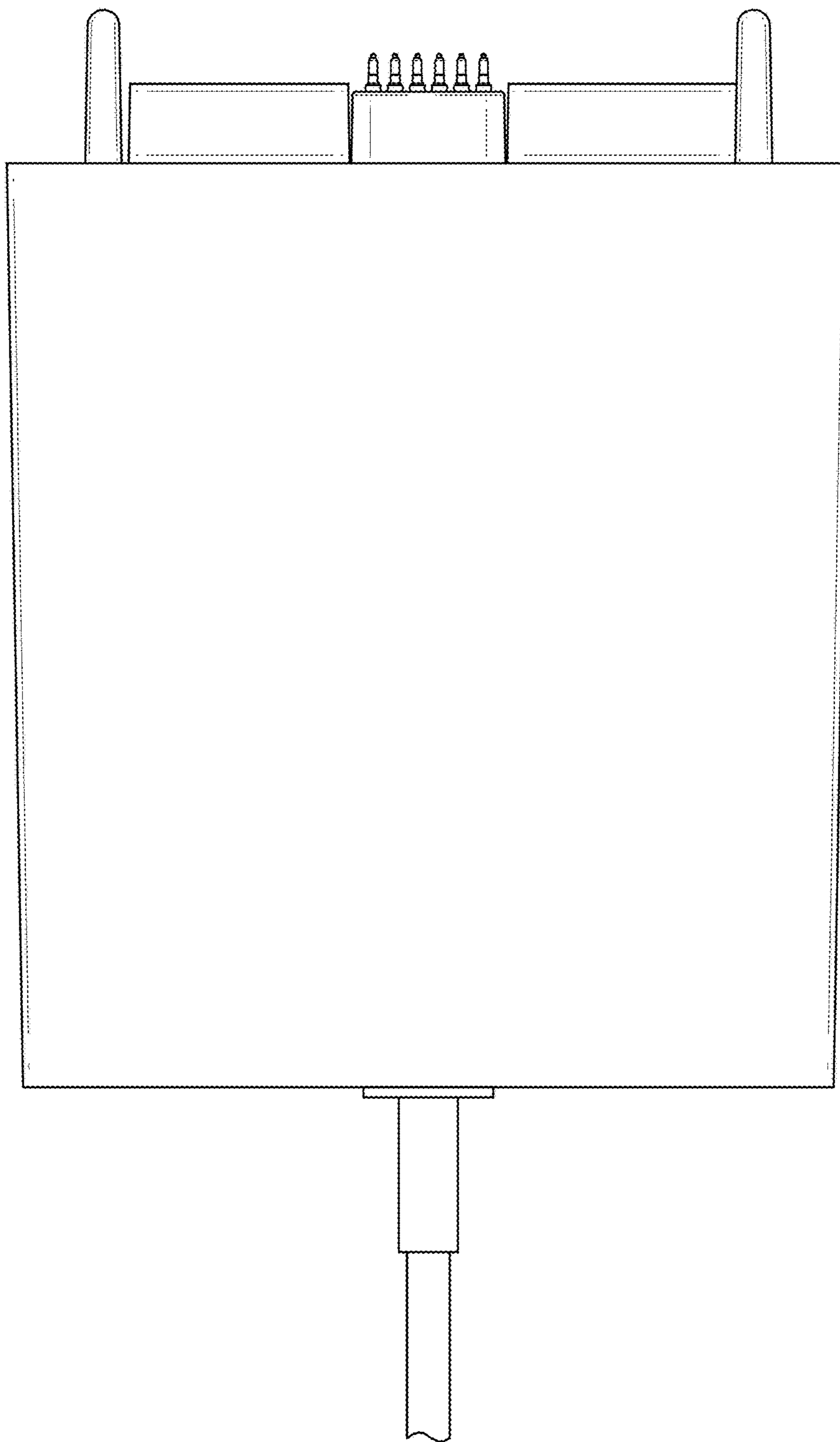


FIG. 7

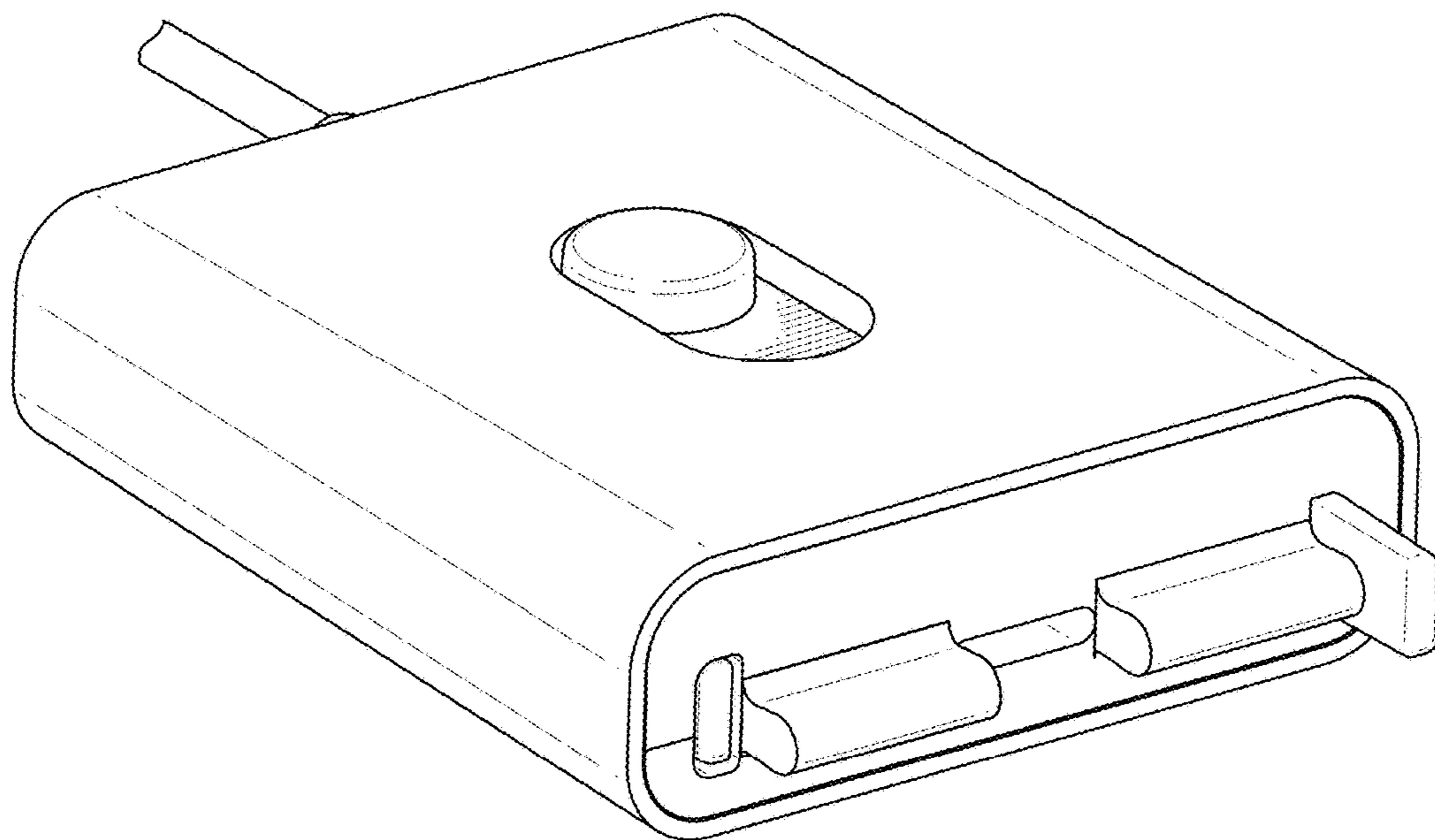


FIG. 8

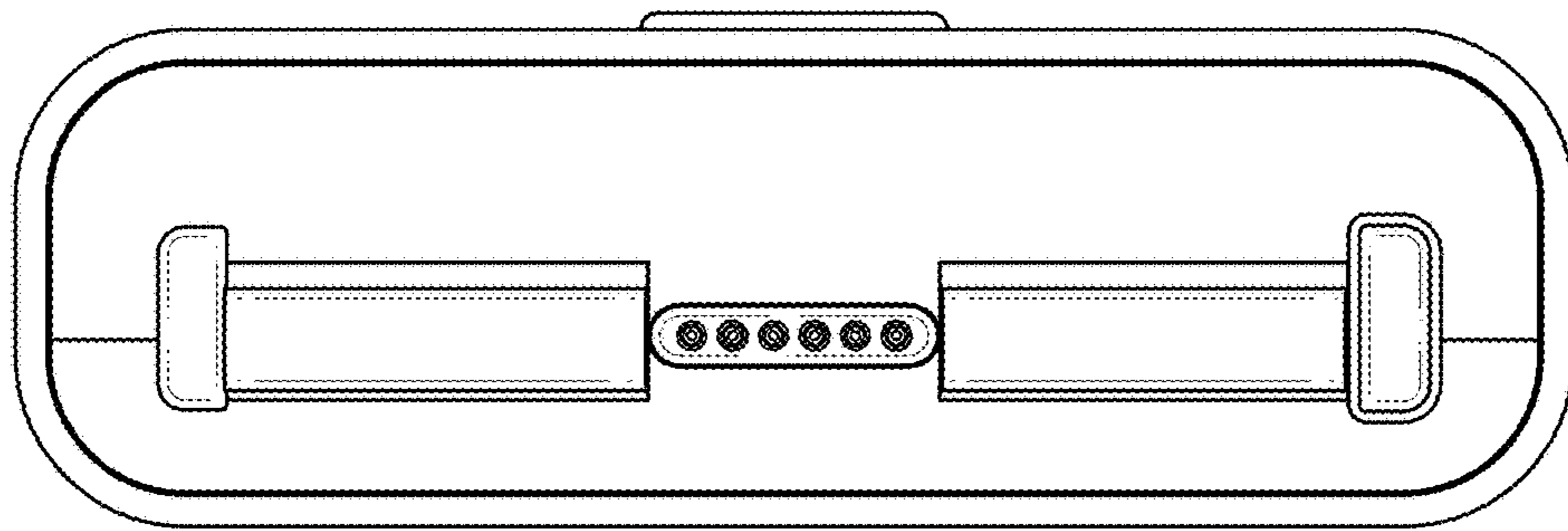


FIG. 9

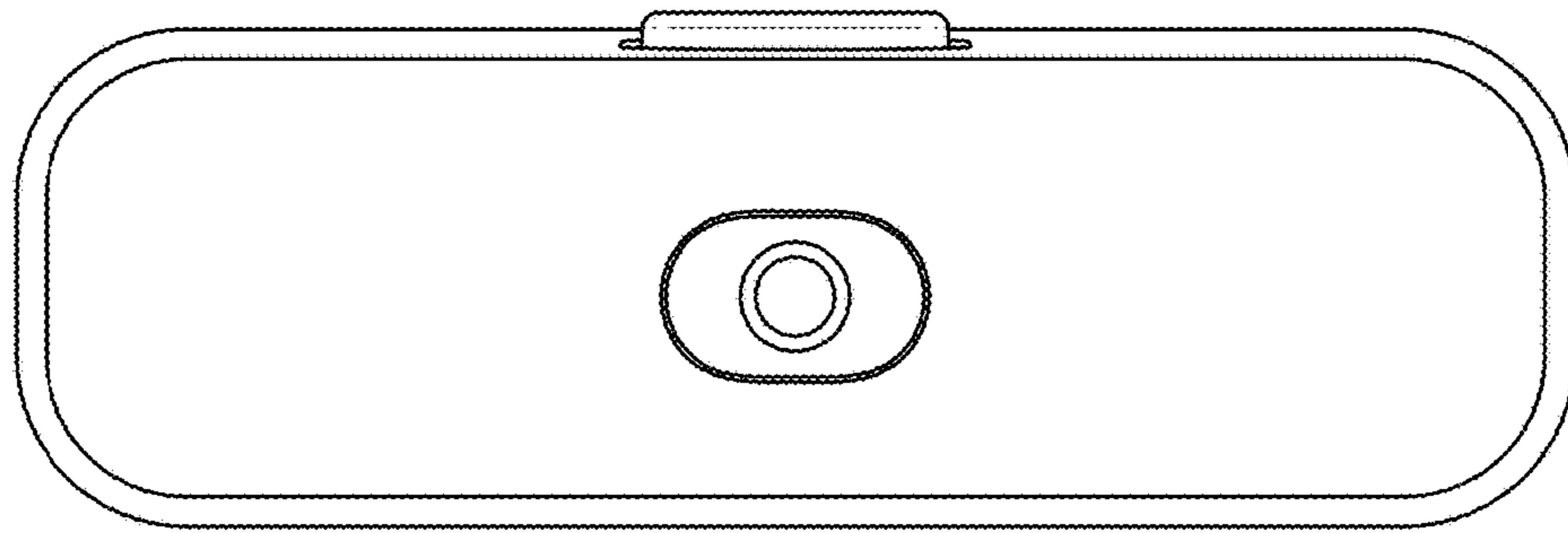


FIG. 10

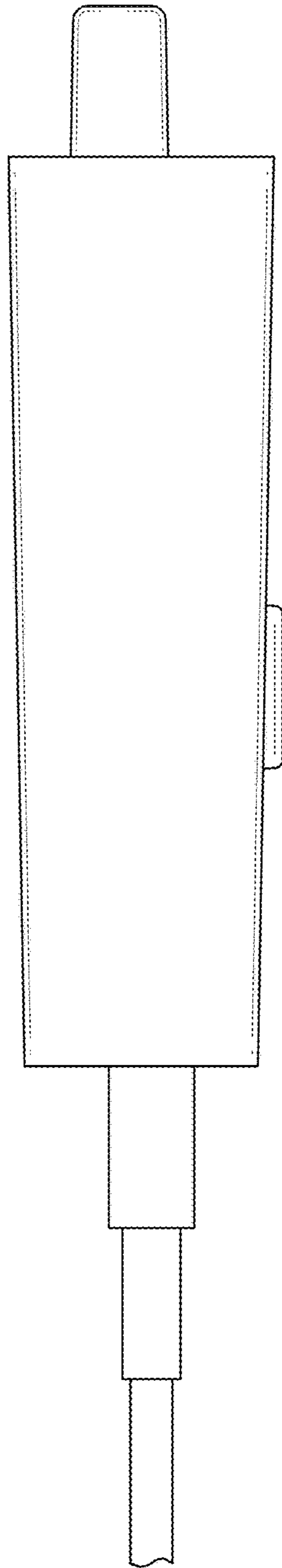


FIG. 11

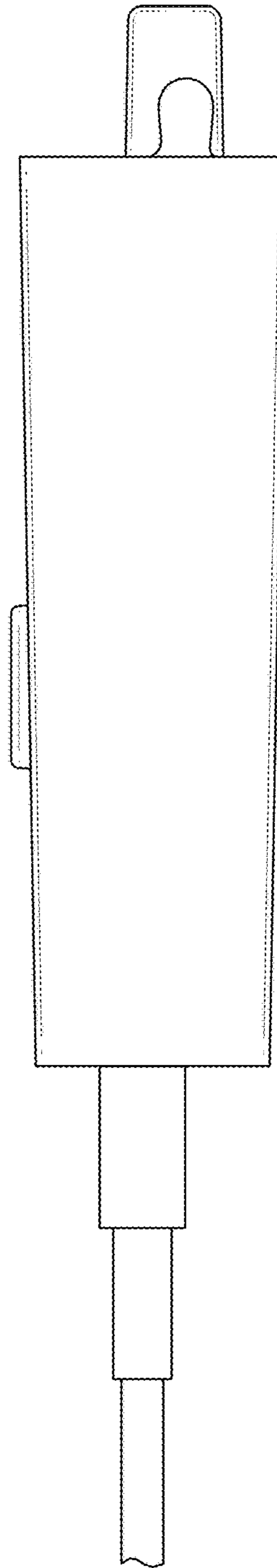


FIG. 12

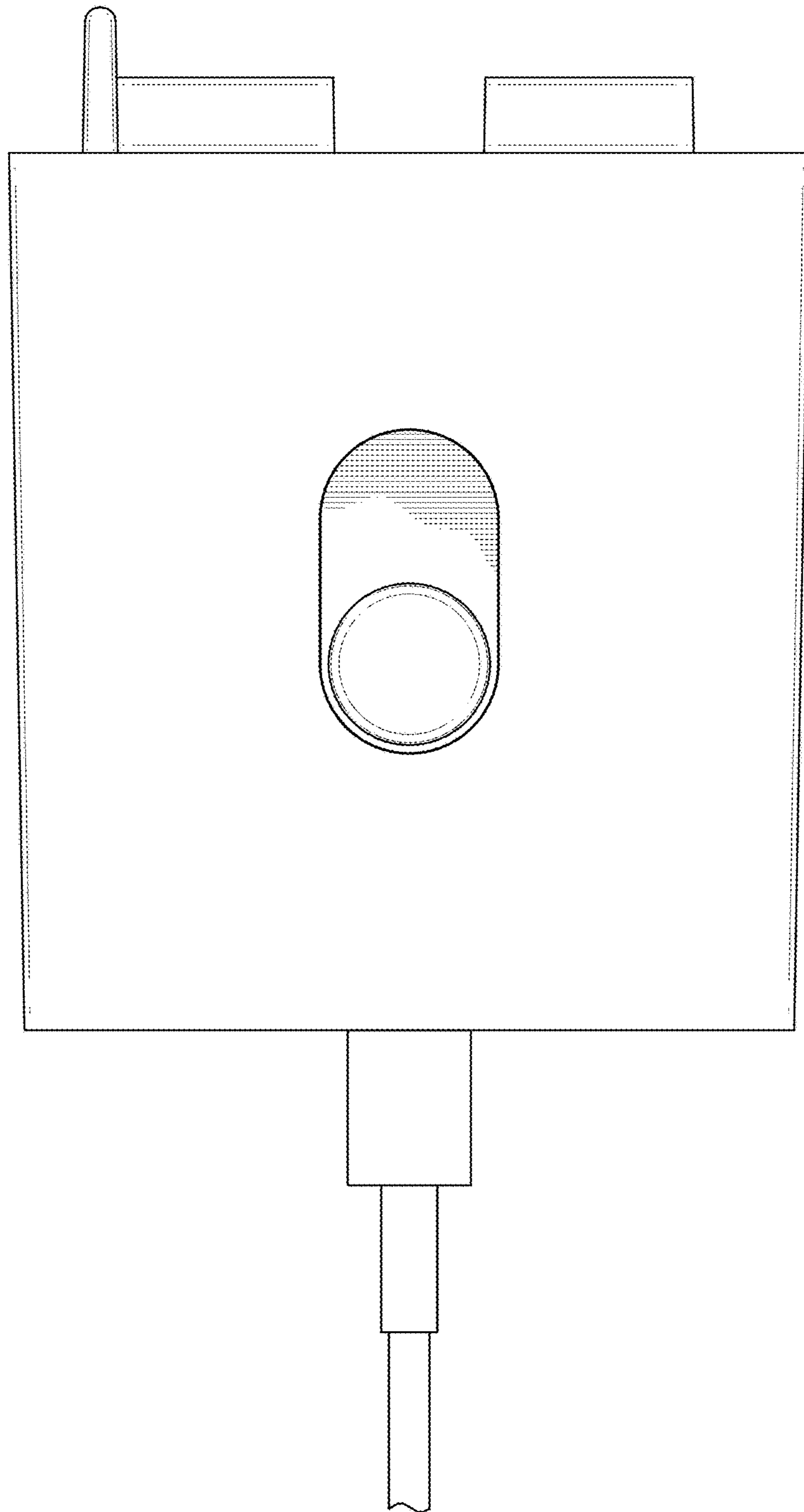


FIG. 13

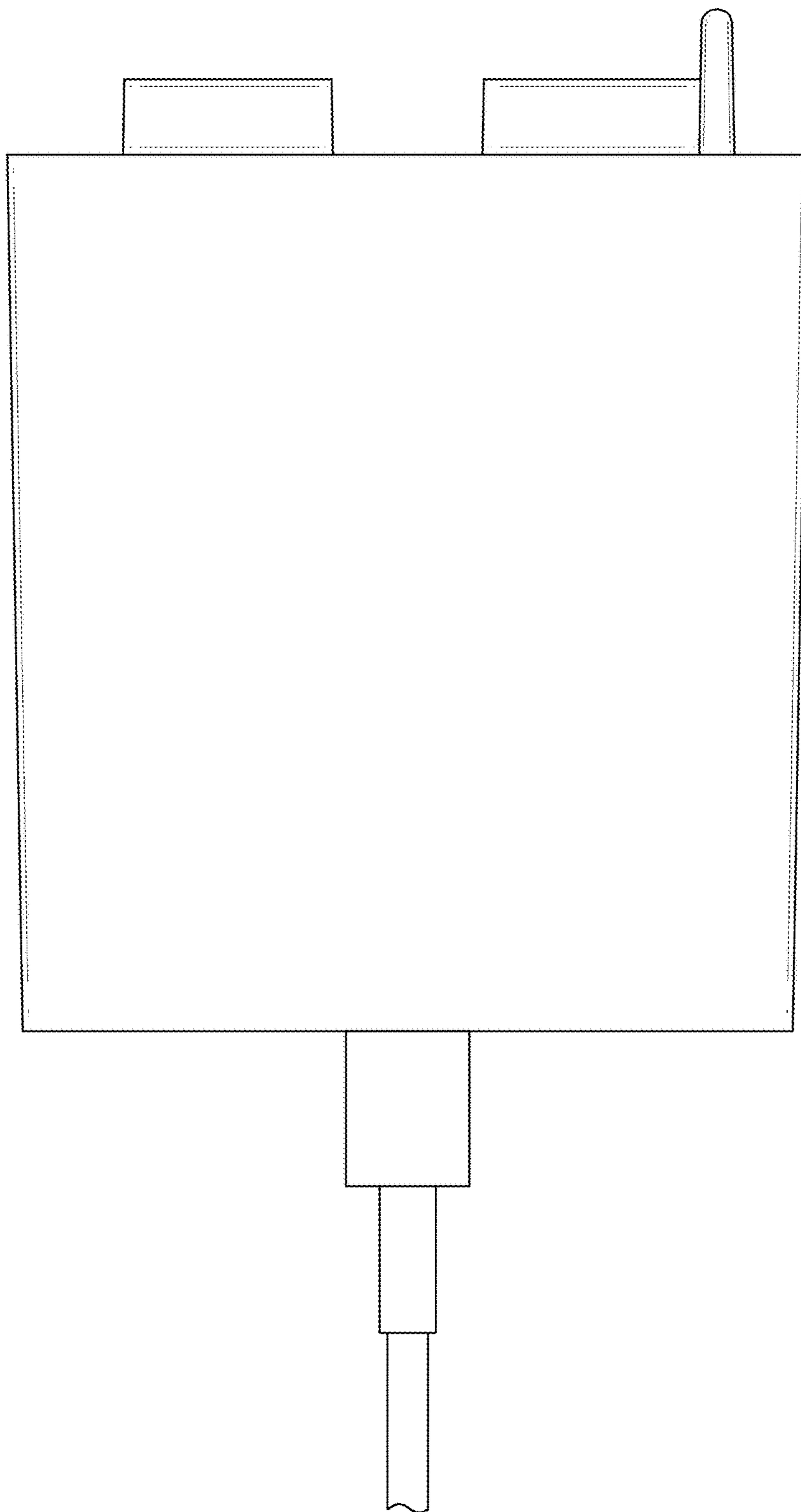


FIG. 14