



US00D781293S

(12) **United States Design Patent**  
**Mitchell**

(10) **Patent No.:** **US D781,293 S**  
(45) **Date of Patent:** **\*\* Mar. 14, 2017**

(54) **COORDINATE INPUT INSTRUMENT**

D747,720 S \* 1/2016 Lee ..... D14/411  
D770,454 S \* 11/2016 Lee ..... D14/411  
D772,230 S \* 11/2016 Lee ..... D14/411

(71) Applicant: **Wacom Co., Ltd.**, Kazo-shi, Saitama (JP)

(72) Inventor: **Giles Thomas Mitchell**, Tokyo (JP)

(73) Assignee: **Wacom Co., Ltd.**, Kazo-shi (JP)

(\*\*) Term: **15 Years**

(21) Appl. No.: **29/558,871**

(22) Filed: **Mar. 22, 2016**

(30) **Foreign Application Priority Data**

Oct. 7, 2015 (JP) ..... 2015-022064

(51) **LOC (10) Cl.** ..... **14-02**

(52) **U.S. Cl.**  
USPC ..... **D14/411**

(58) **Field of Classification Search**  
USPC ..... D14/372, 496, 432, 371, 125, 126, 129,  
D14/299, 411; D16/300-342; 351/158,  
351/153, 144; 345/7-9, 905; 455/344;  
348/115, 53, 121, 739  
CPC ..... G02B 27/017; G06F 3/016; G06F 3/033;  
G06F 3/0317; G06F 3/03545; G06F  
3/041; G06K 9/222

See application file for complete search history.

(56) **References Cited**

**U.S. PATENT DOCUMENTS**

D697,915 S \* 1/2014 Lien ..... D14/411  
D711,381 S \* 8/2014 Lee ..... D14/411  
D715,298 S \* 10/2014 Hong ..... D14/411  
D717,798 S \* 11/2014 Groene ..... D14/411  
D724,086 S \* 3/2015 Schoenert ..... D14/411

**FOREIGN PATENT DOCUMENTS**

JP D1475767 S 7/2013  
JP D1475768 S 7/2013  
JP D1484973 S 11/2013  
JP D1487672 S 1/2014

\* cited by examiner

*Primary Examiner* — Austin Murphy

(74) *Attorney, Agent, or Firm* — Christensen O'Connor Johnson Kindness PLLC

(57) **CLAIM**

The ornamental design for a coordinate input instrument, as shown and described.

**DESCRIPTION**

FIG. 1 is a front perspective view of a coordinate input instrument according to a representative embodiment of my new design;

FIG. 2 is a rear perspective view of the coordinate input instrument shown in FIG. 1;

FIG. 3 is a side view of the coordinate input instrument shown in FIG. 1, the side opposite of the side shown in FIG. 1, FIG. 3 being a mirror image thereof and therefore not shown;

FIG. 4 is a front view of the coordinate input instrument shown in FIG. 1;

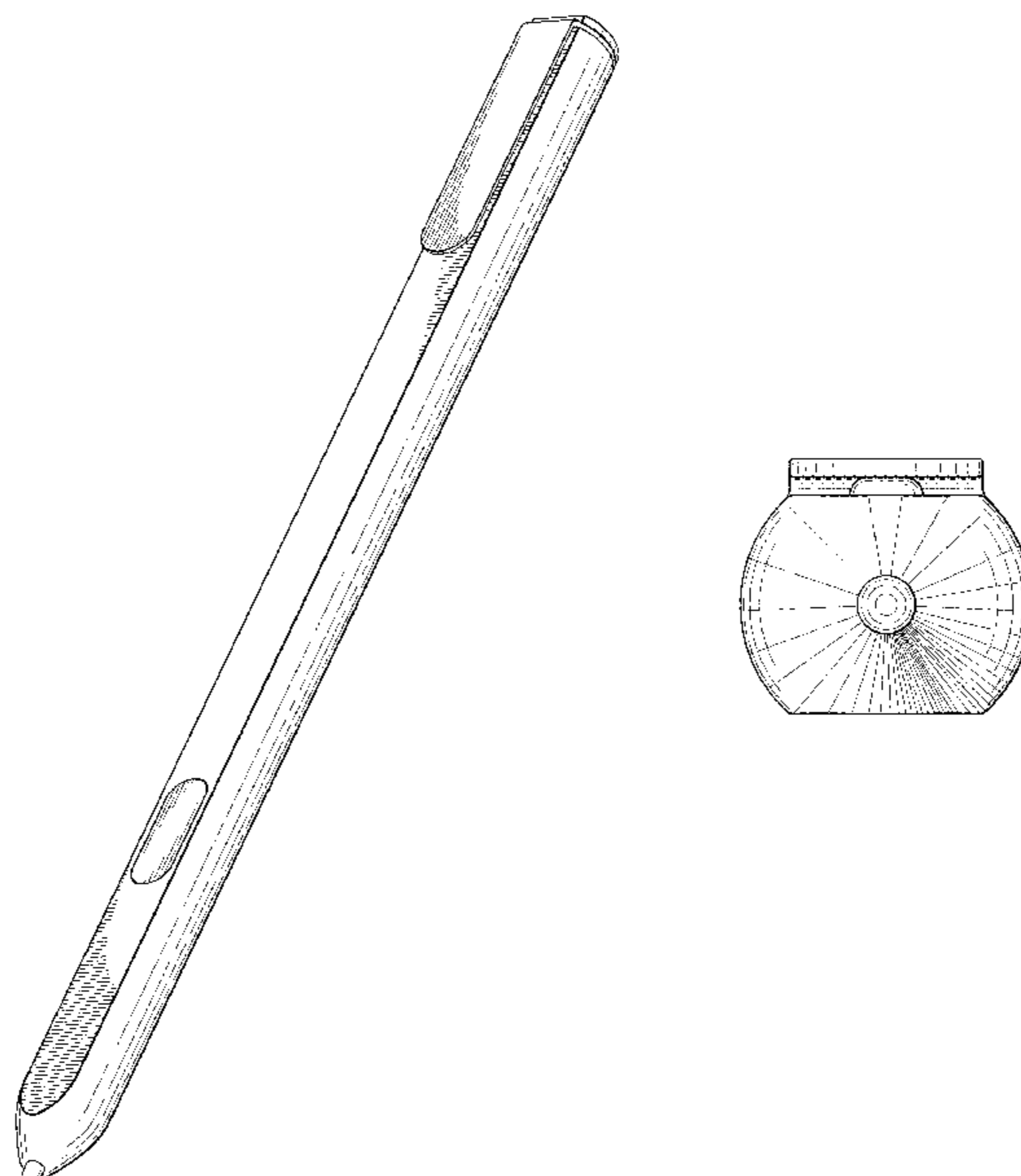
FIG. 5 is a rear view of the coordinate input instrument shown in FIG. 1;

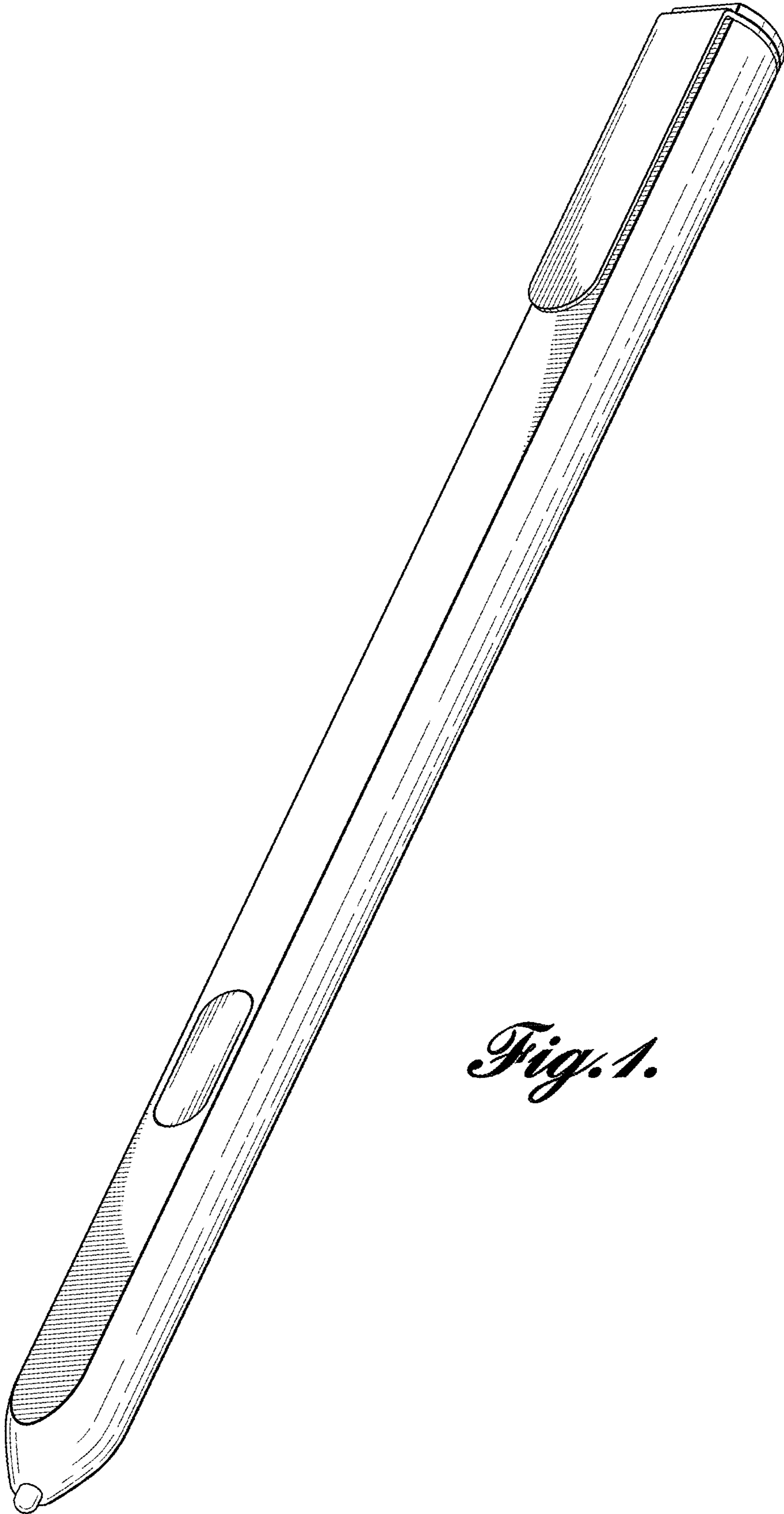
FIG. 6 is a top view of the coordinate input instrument shown in FIG. 1; and,

FIG. 7 is a bottom view of the coordinate input instrument shown in FIG. 1.

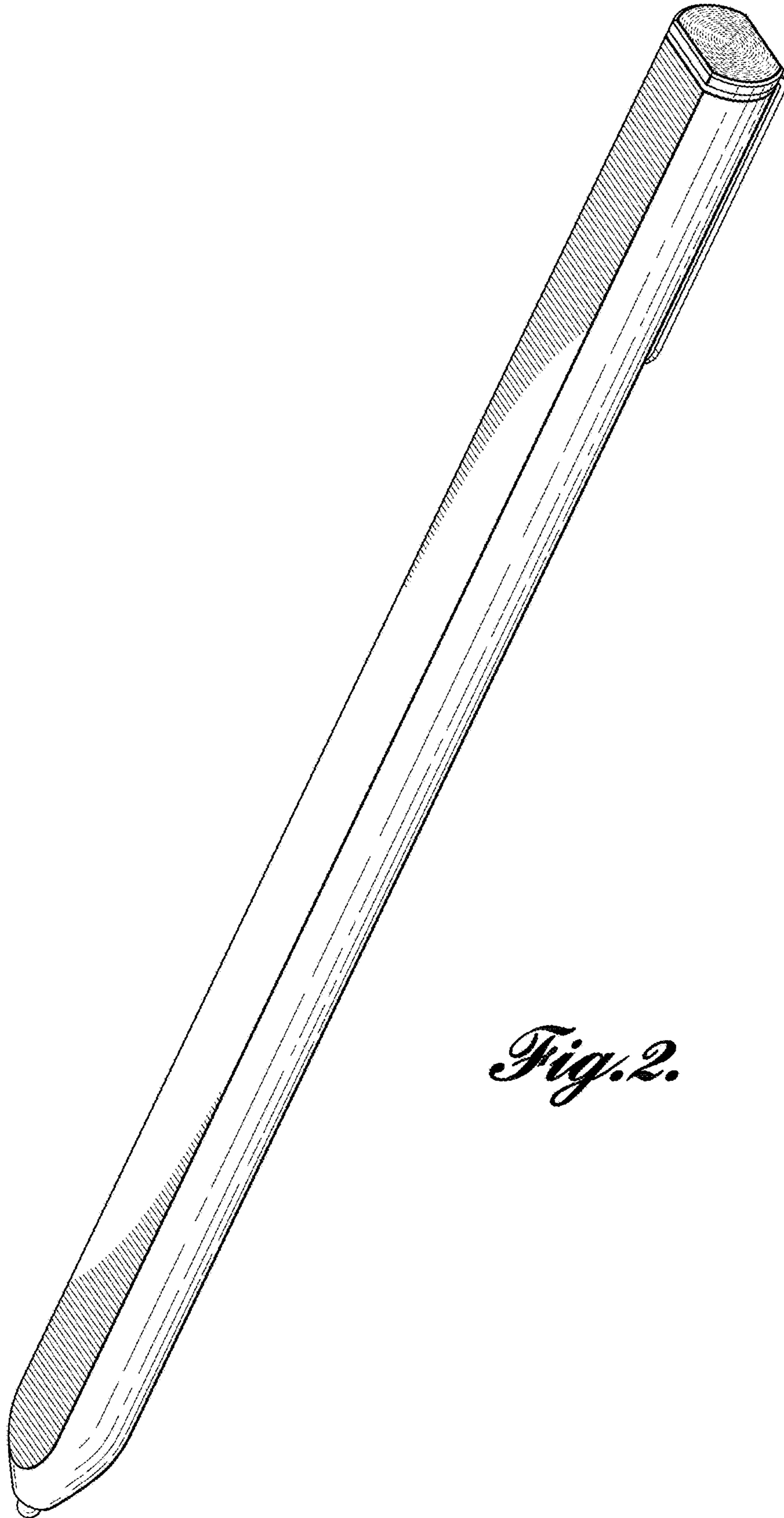
The broken lines show portions of the coordinate input instrument which form no part of the claimed design.

**1 Claim, 4 Drawing Sheets**

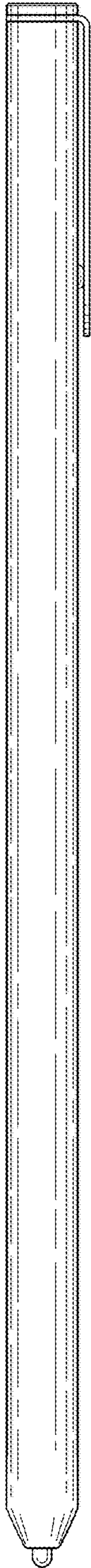




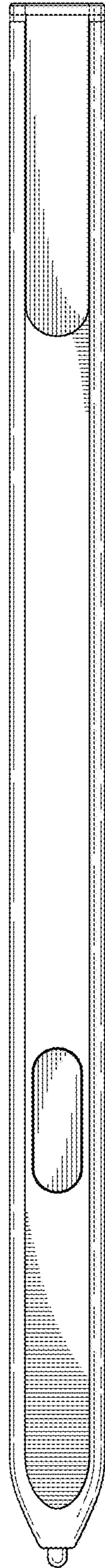
*Fig. 1.*



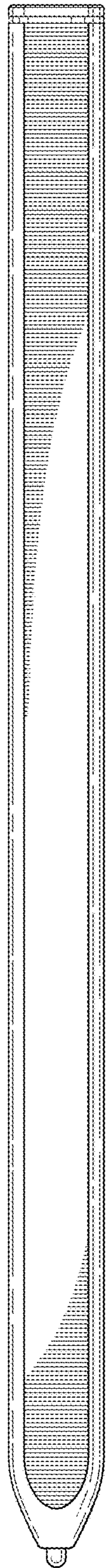
*Fig. 2.*



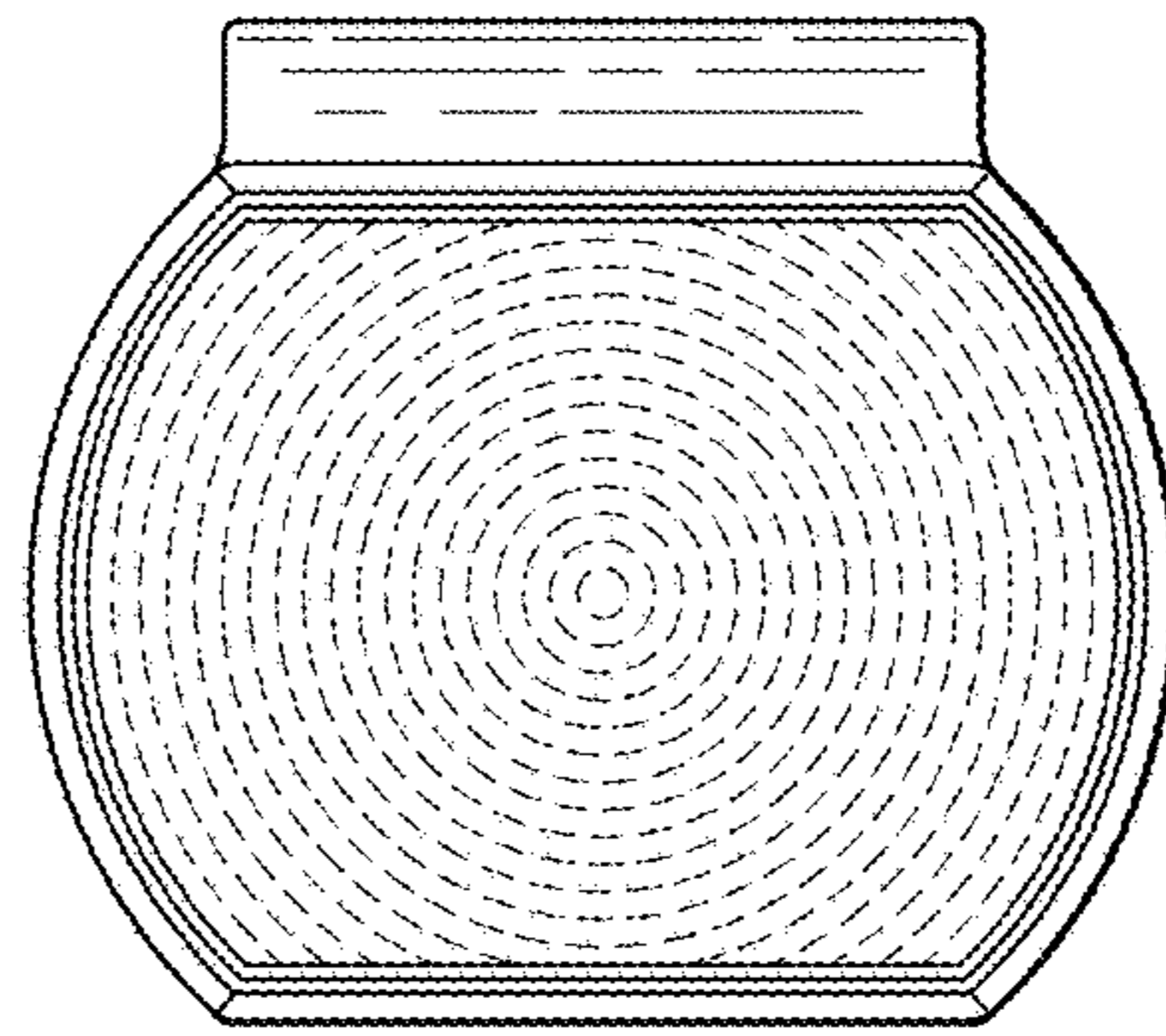
*Fig. 3.*



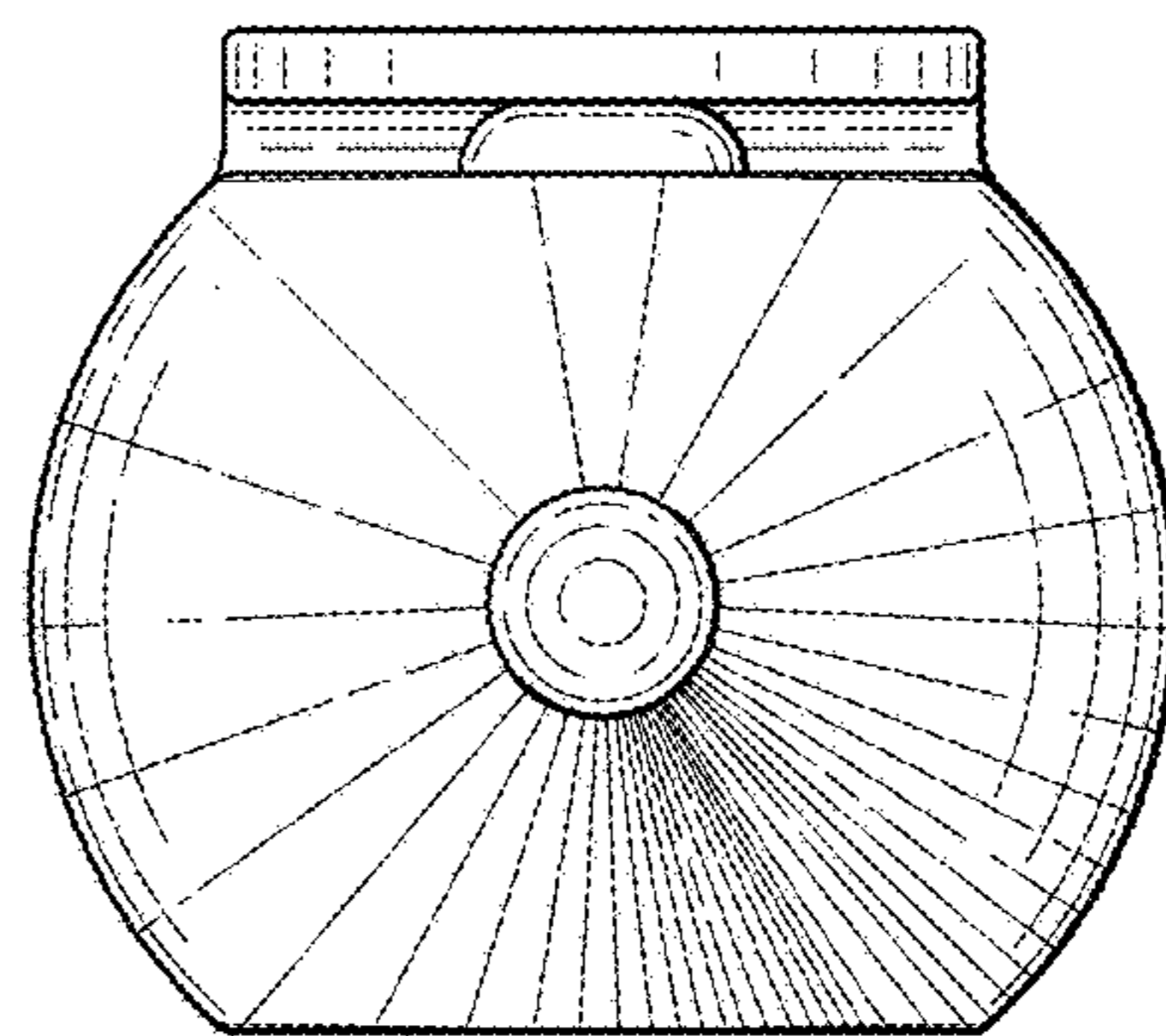
*Fig. 4.*



*Fig. 5.*



*Fig. 6.*



*Fig. 7.*