



US00D781290S

(12) **United States Design Patent**
Kim et al.

(10) **Patent No.:** **US D781,290 S**
(45) **Date of Patent:** **** Mar. 14, 2017**

(54) **HEAD-MOUNTED DISPLAY DEVICE**

FOREIGN PATENT DOCUMENTS

(71) Applicant: **Samsung Electronics Co., Ltd.**,
Suwon-si (KR)

KR 30-0719750 12/2013

(72) Inventors: **Minsoo Kim**, Seoul (KR); **Jinsoo Kim**,
Yongin-si (KR); **Yongseok Bang**,
Yongin-si (KR)

OTHER PUBLICATIONS

<http://19guem.com/594>, date accessed: Mar. 17, 2015.

(Continued)

(73) Assignee: **SAMSUNG ELECTRONICS CO., LTD.**,
Suwon-si (KR)

Primary Examiner — Austin Murphy

(74) *Attorney, Agent, or Firm* — McAndrews Held &
Malloy, Ltd.

(**) Term: **15 Years**

(21) Appl. No.: **29/567,948**

(57) **CLAIM**

(22) Filed: **Jun. 14, 2016**

The ornamental design for a head-mounted display device,
as shown and described.

Related U.S. Application Data

DESCRIPTION

(63) Continuation of application No. 29/536,748, filed on
Aug. 19, 2015, now Pat. No. Des. 764,466.

(30) **Foreign Application Priority Data**

Feb. 26, 2015 (KR) 30-2015-0009735

(51) **LOC (10) Cl.** **14-02**

(52) **U.S. Cl.**
USPC **D14/372**

(58) **Field of Classification Search**
USPC D14/372, 496, 432, 371, 125, 126, 129,
D14/299; D16/300-342; 351/158, 153,
(Continued)

FIG. 1 is a top right front perspective view of a head-mounted display device showing our new design;
FIG. 2 is a front elevation view thereof;
FIG. 3 is a rear elevation view thereof;
FIG. 4 is a left side elevation view thereof;
FIG. 5 is a right side elevation view thereof;
FIG. 6 is a top plan view thereof;
FIG. 7 is a bottom plan view thereof; and,
FIG. 8 is another top right front perspective view thereof, in which a head attachment means in dot-dash broken lines is provided to illustrate an example environment.
The short dash-dash broken lines in the drawings represent portions of the head-mounted display device that form no part of the claimed design. The dot-dash broken lines showing of a head attachment means in FIG. 8 is for the purpose of illustrating environmental structure and forms no part of the claimed design.

(56) **References Cited**

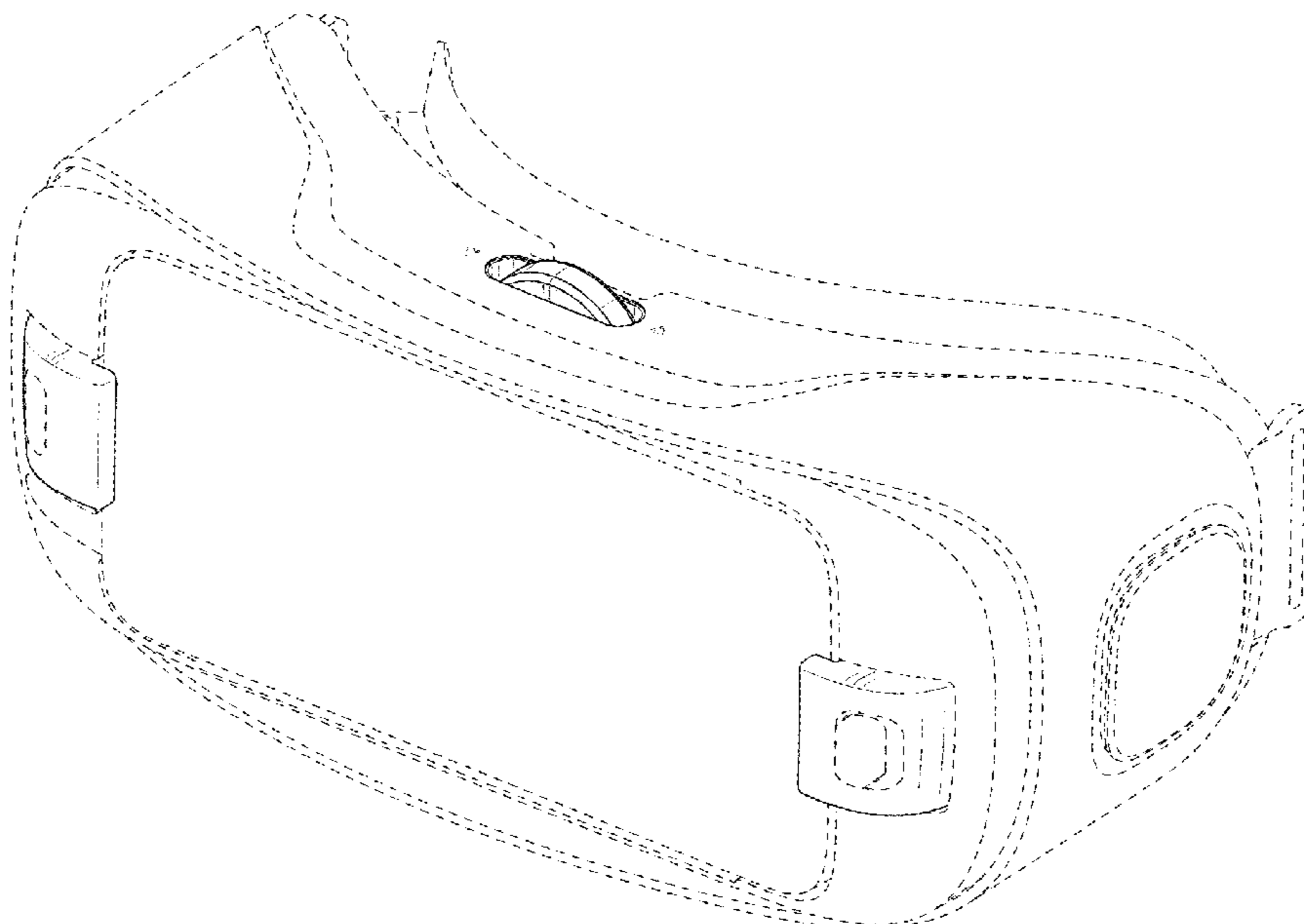
U.S. PATENT DOCUMENTS

D338,514 S 8/1993 Holmes

D351,622 S 10/1994 Holmes

(Continued)

1 Claim, 8 Drawing Sheets



US D781,290 S

Page 2

(58) **Field of Classification Search**

USPC 351/144; 345/7-9, 905; 455/344;
348/115, 53, 121, 739
CPC G02B 27/017; G02B 27/0158; G02B
27/0161; G02B 27/0181; G02B 27/0185;
G02B 27/0189

See application file for complete search history.

(56) **References Cited**

U.S. PATENT DOCUMENTS

D389,826 S 1/1998 Cousins
D440,967 S 4/2001 Jung
D521,493 S 5/2006 Wai
D571,366 S 6/2008 Lee
D578,120 S * 10/2008 Lowe D14/372
D579,014 S 10/2008 Travers
D645,862 S 9/2011 Paul
D704,706 S 5/2014 Serota
D709,880 S 7/2014 Kim
D714,786 S 10/2014 Pombo
D727,318 S 4/2015 Garcia Marin
D732,028 S * 6/2015 Kim D14/372
D738,374 S 9/2015 Luckey
D741,326 S * 10/2015 Bosveld D14/372

D741,327 S 10/2015 Reznik
D749,580 S * 2/2016 Kim D14/372
D749,583 S 2/2016 Luckey
D750,074 S * 2/2016 Coz D14/372
D751,072 S 3/2016 Lyons
D752,680 S * 3/2016 Kim D14/372
D753,111 S * 4/2016 Fei D14/372
D753,113 S * 4/2016 Fei D14/372
D759,654 S * 6/2016 Sullivan D14/372
D764,466 S * 8/2016 Kim D14/372
D765,074 S * 8/2016 Katopis D14/372
D765,658 S * 9/2016 Spio D14/372
D766,896 S * 9/2016 Li D14/372

OTHER PUBLICATIONS

Cooper, Daniel, LG builds its own mobile VR headset for the G3, Feb. 9, 2015, available at <http://www.engadget.com/2015102109/lg-google-cardboard-vr-headset-g3/>.
http://prod.danawa.com/info/?pcode=29047918,relationMenuType=koost#bookmark_product_information, date accessed: Mar. 17, 2015.
<http://shougo.tistory.com/91>, date accessed: Mar. 17, 2015.

* cited by examiner

FIG. 1

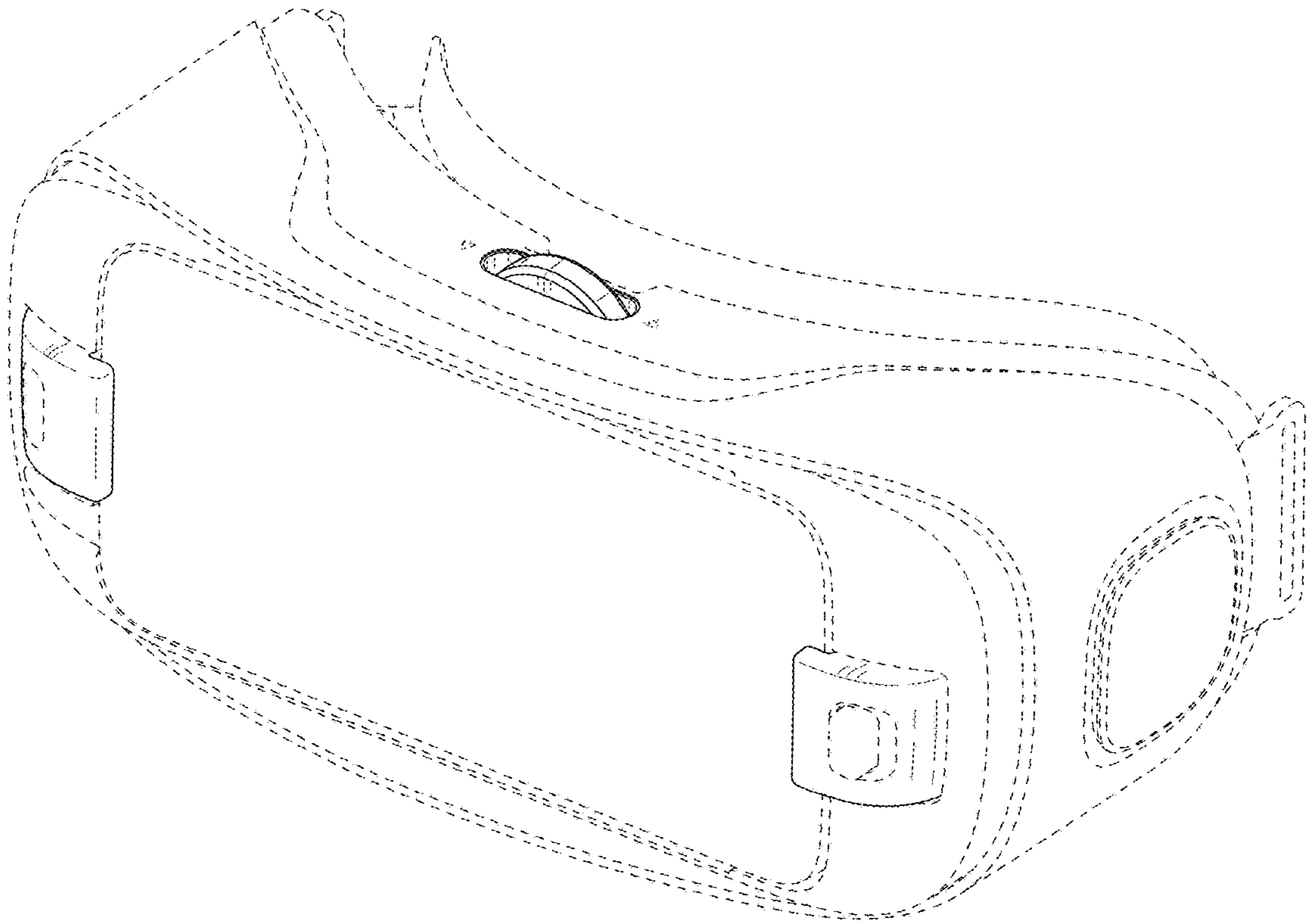


FIG. 2



FIG. 3

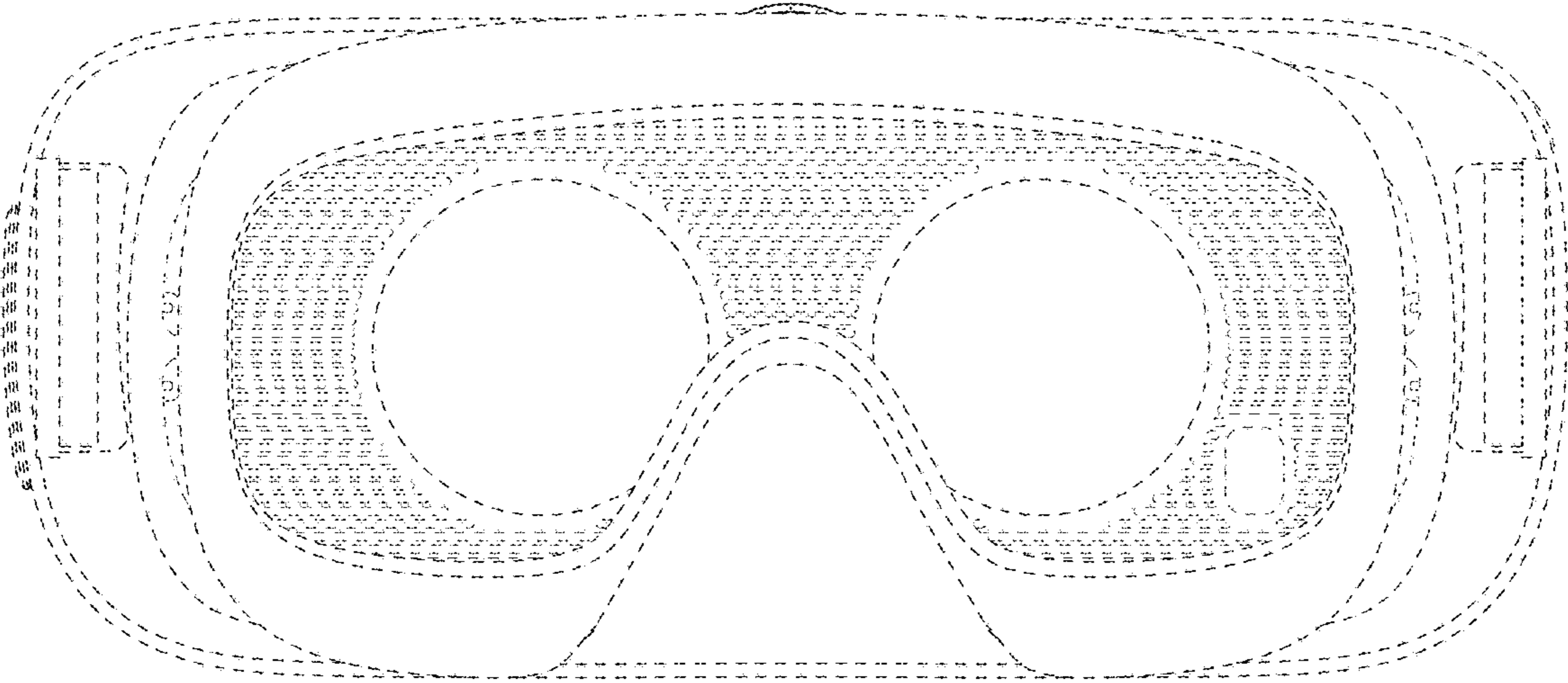


FIG. 4

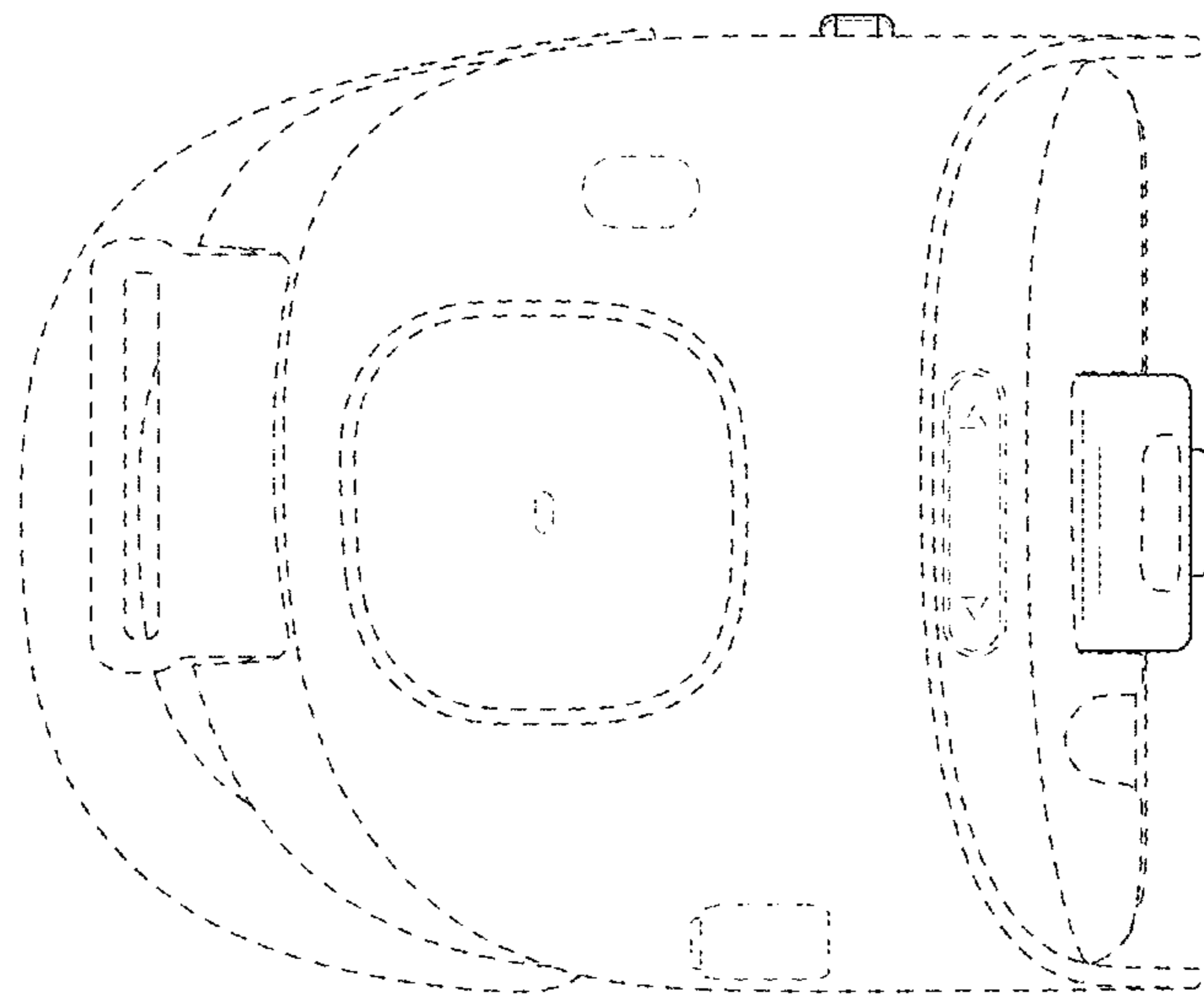


FIG. 5

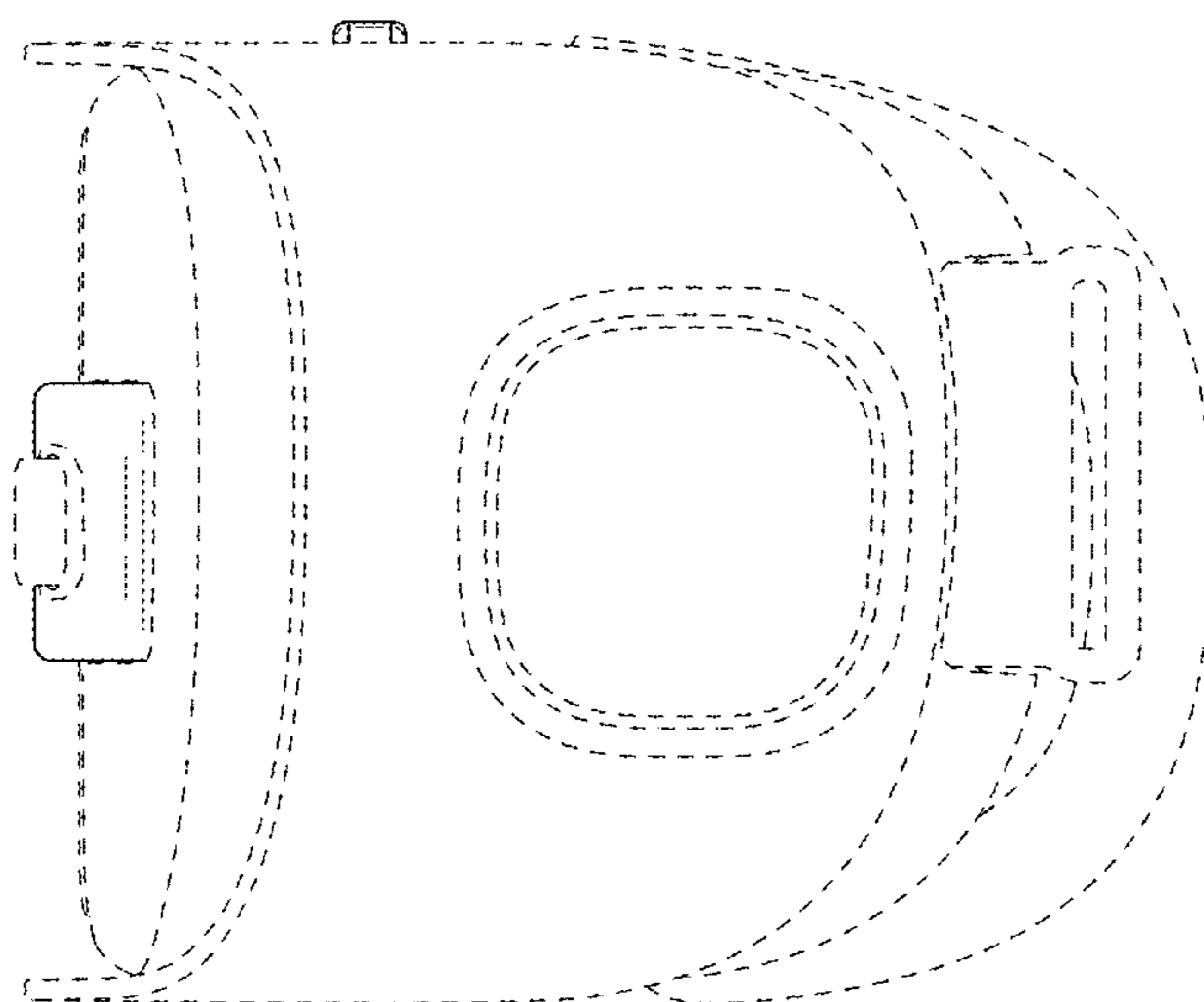


FIG. 6

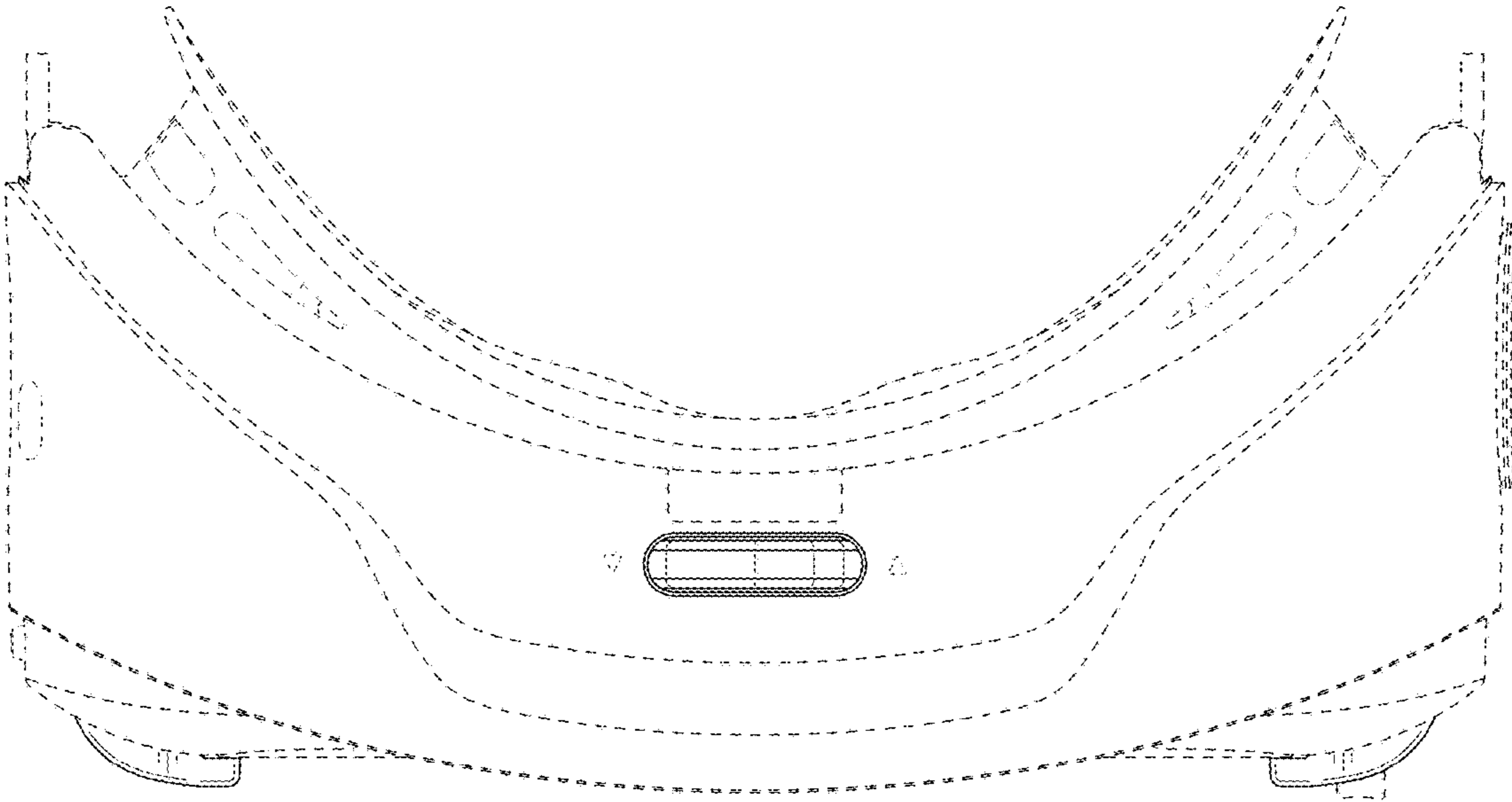


FIG. 7

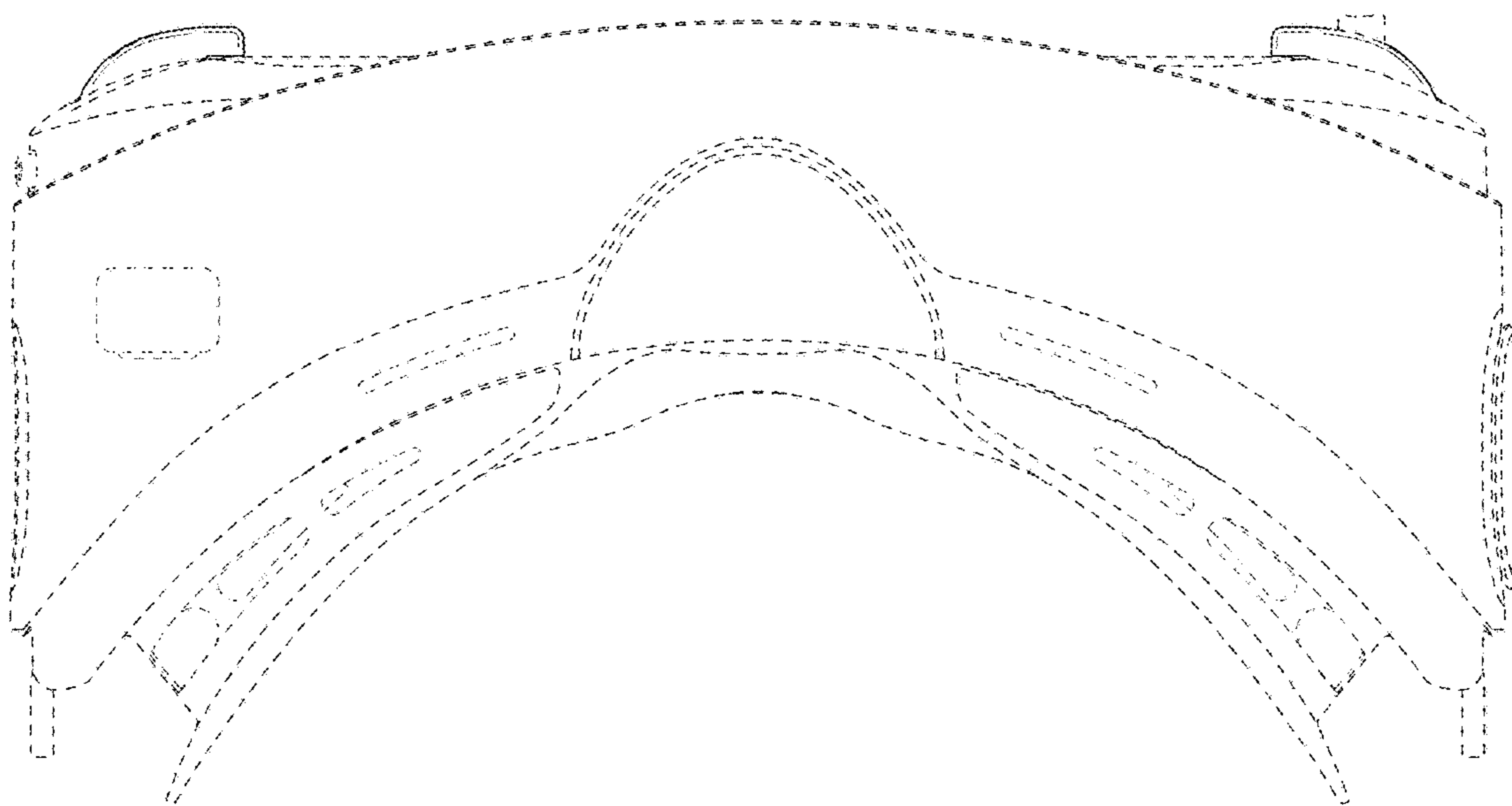


FIG. 8

