



US00D781289S

(12) **United States Design Patent**
Patel

(10) **Patent No.:** **US D781,289 S**

(45) **Date of Patent:** **** Mar. 14, 2017**

(54) **HEAD MOUNT UNIT FOR VIRTUAL REALITY SYSTEM**

(71) Applicant: **The Void, LLC**, Lindon, UT (US)

(72) Inventor: **Sajid Patel**, Arlington Heights, IL (US)

(73) Assignee: **Void, Inc.**, Lindon, UT (US)

(**) Term: **15 Years**

(21) Appl. No.: **29/559,804**

(22) Filed: **Mar. 31, 2016**

(51) **LOC (10) Cl.** **14-02**

(52) **U.S. Cl.**
USPC **D14/372**

(58) **Field of Classification Search**
USPC D14/372, 496, 432, 371, 125, 126, 129,
D14/299; D16/300-342; 351/158, 153,
351/144; 345/7-9, 905; 455/344;
348/115, 53, 121, 739
CPC G02B 27/017; G02B 27/0158; G02B
27/0161; G02B 27/0181; G02B 27/0185;
G02B 27/0189

See application file for complete search history.

(56) **References Cited**

U.S. PATENT DOCUMENTS

D415,146 S * 10/1999 Hori D14/372
D427,982 S * 7/2000 Ishii D14/372

D444,155 S * 6/2001 Morooka D14/496
D601,641 S * 10/2009 Yeung D16/306
D719,953 S * 12/2014 Nokuo D14/372
D727,318 S * 4/2015 Garcia Marin D14/372
D739,855 S * 9/2015 Bosveld D14/372
D741,324 S * 10/2015 Bosveld D14/372
D741,327 S * 10/2015 Reznik D14/372
D753,111 S * 4/2016 Fei D14/372
D758,367 S * 6/2016 Natsume D14/372
D761,257 S * 7/2016 Passmore D14/372
D764,467 S * 8/2016 Nokuo D14/372

* cited by examiner

Primary Examiner — Austin Murphy

(74) *Attorney, Agent, or Firm* — Bachmann Law Group

(57) **CLAIM**

I claim the ornamental design for the head mount unit for virtual reality system, as shown.

DESCRIPTION

FIG. 1 is a front perspective view of a head mount unit according to the present design.

FIG. 2 is a front view of the head mount unit cap of FIG. 1.

FIG. 3 is a rear view of the head mount unit according to FIG. 1.

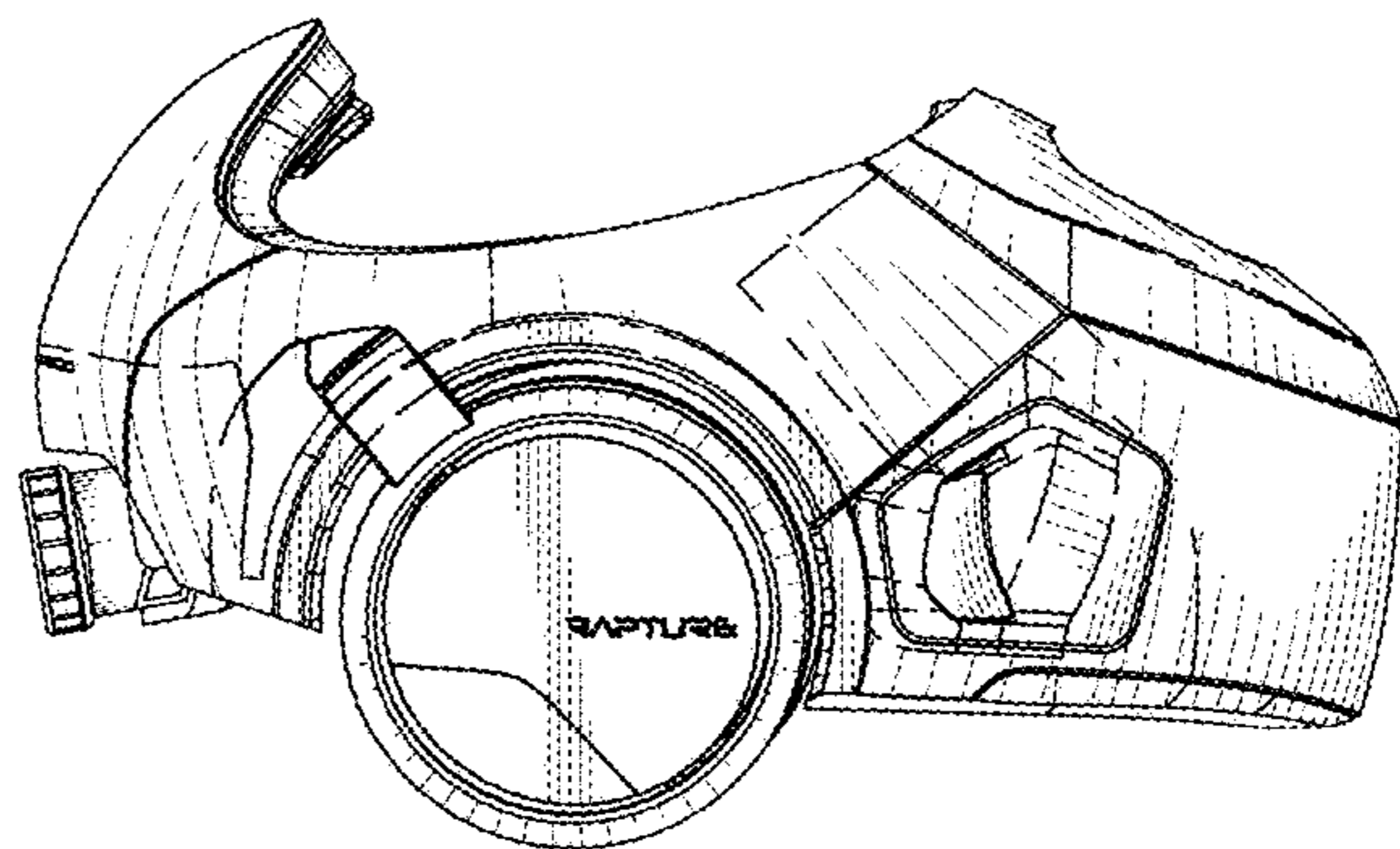
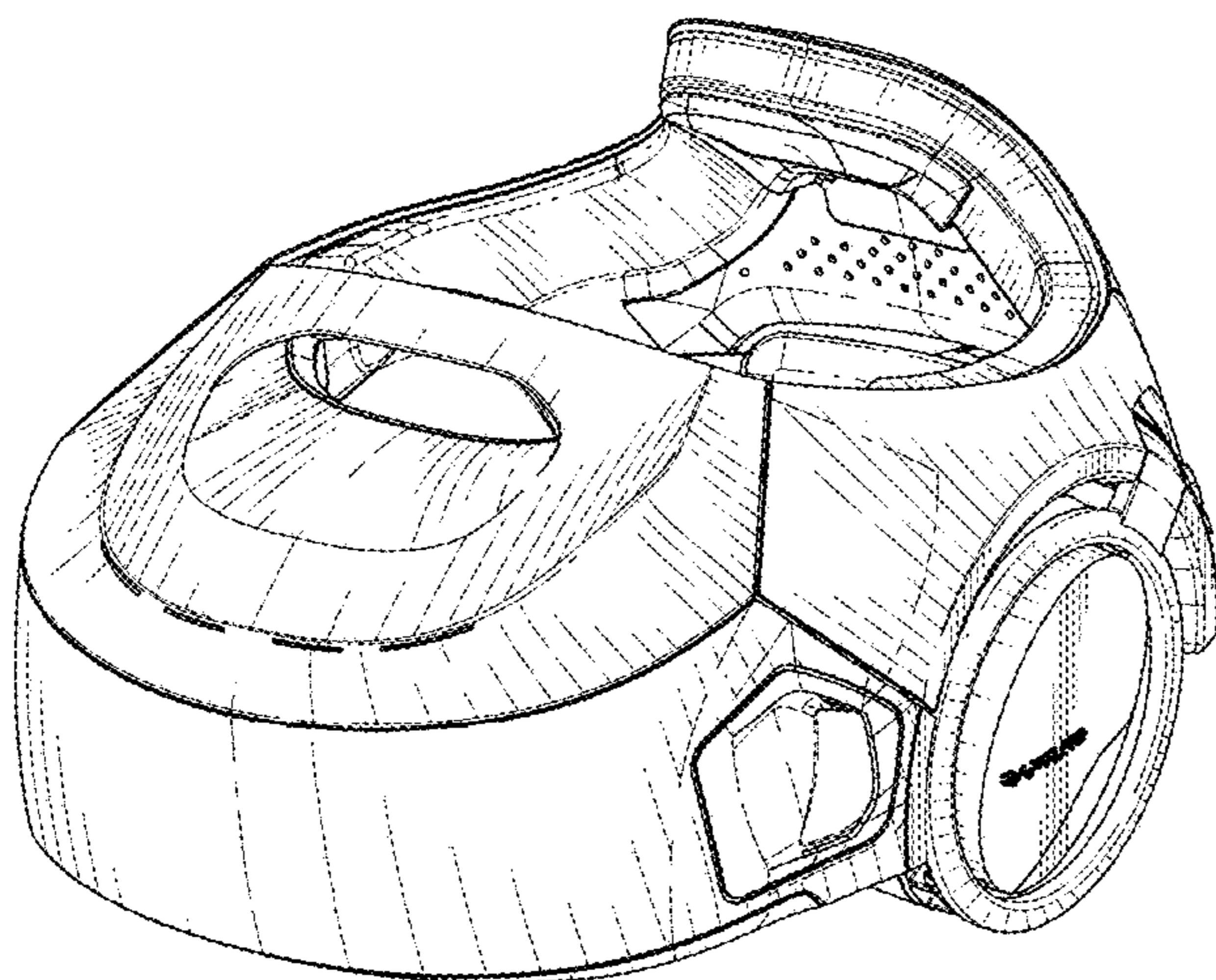
FIG. 4 is a left side view of the head mount unit of FIG. 1.

FIG. 5 is a right side view of the head mount unit of FIG. 1.

FIG. 6 is a top view of the head mount unit of FIG. 1; and,

FIG. 7 is a bottom view of the head mount unit of FIG. 1.

1 Claim, 5 Drawing Sheets



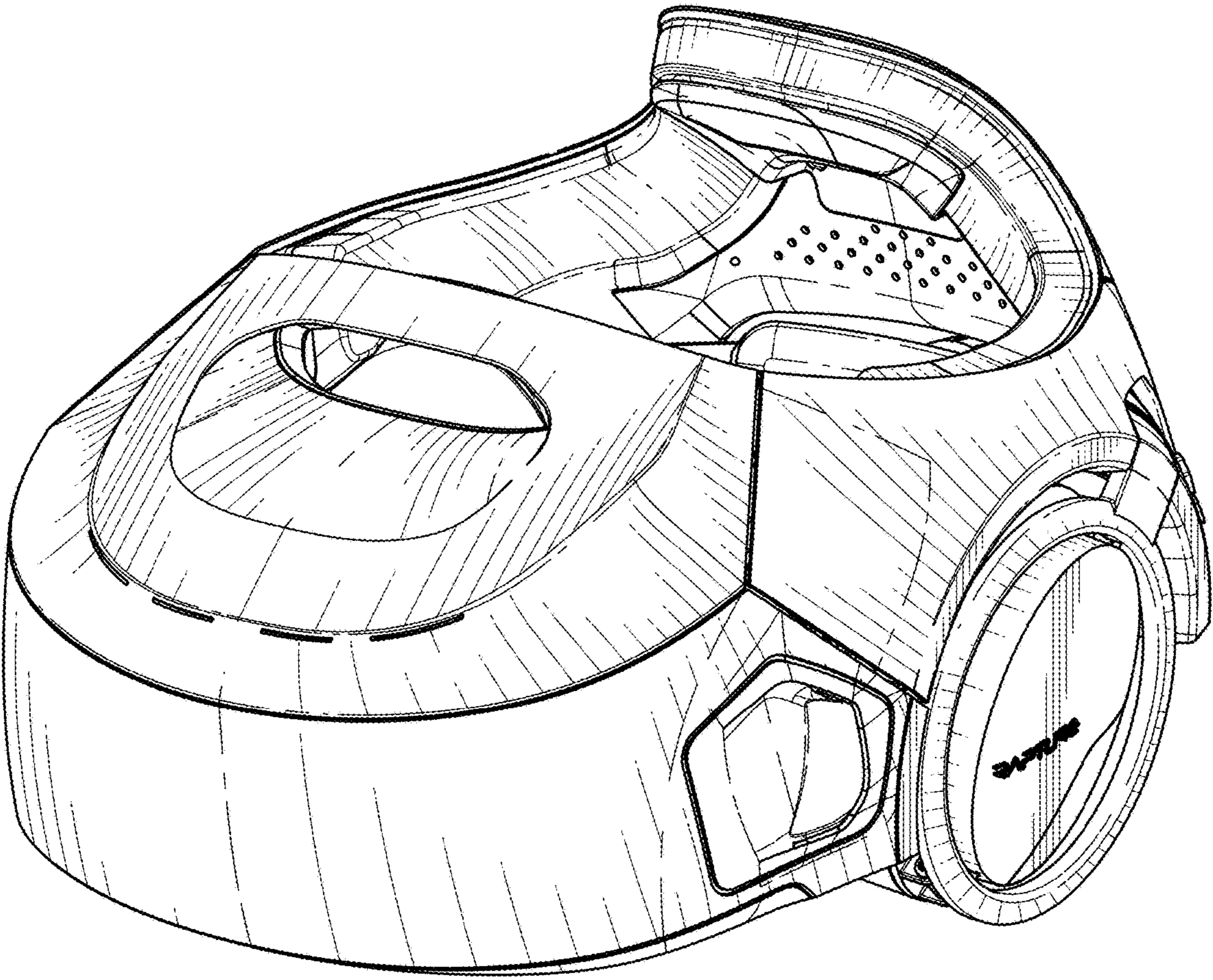


FIG. 1

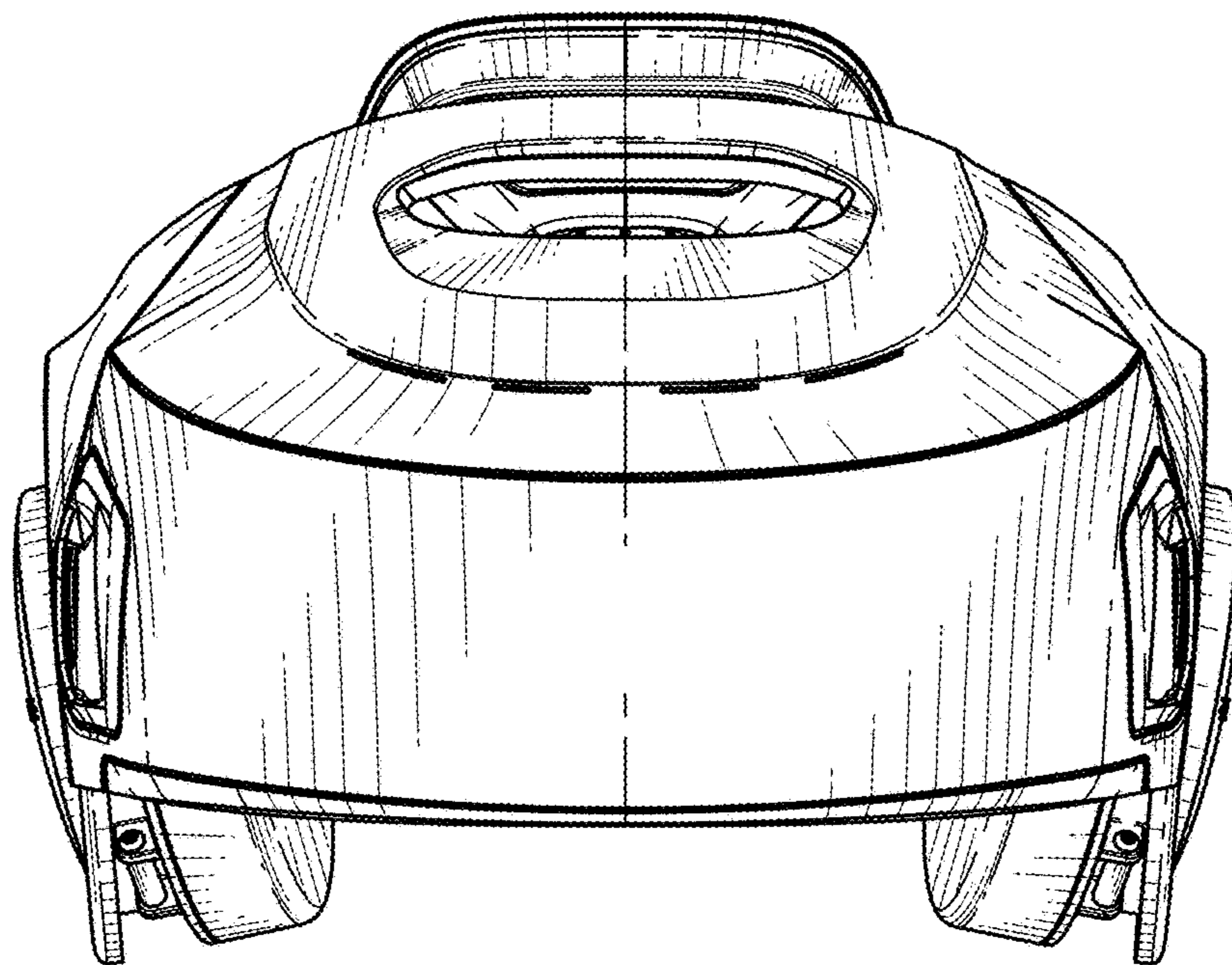


FIG. 2

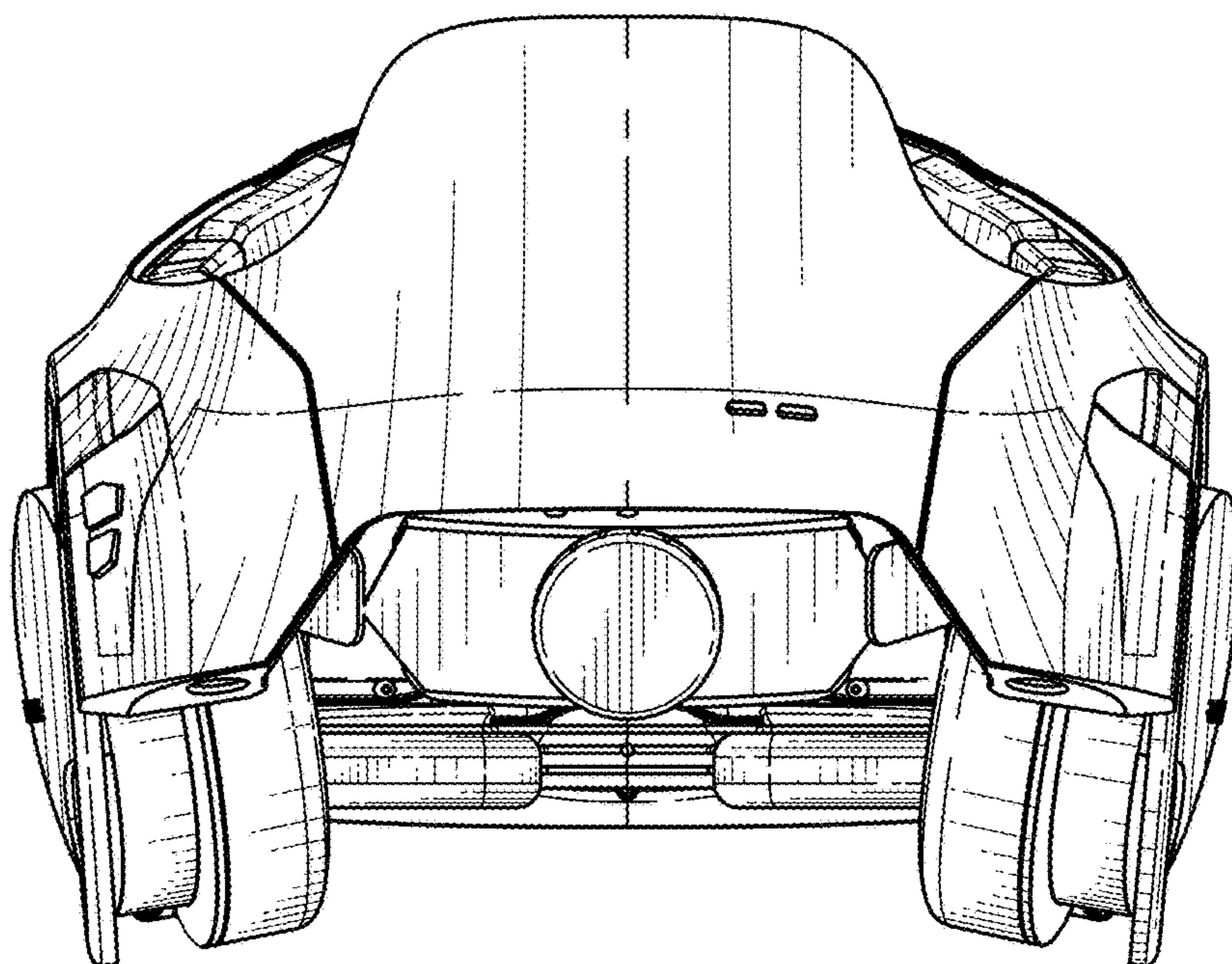


FIG. 3

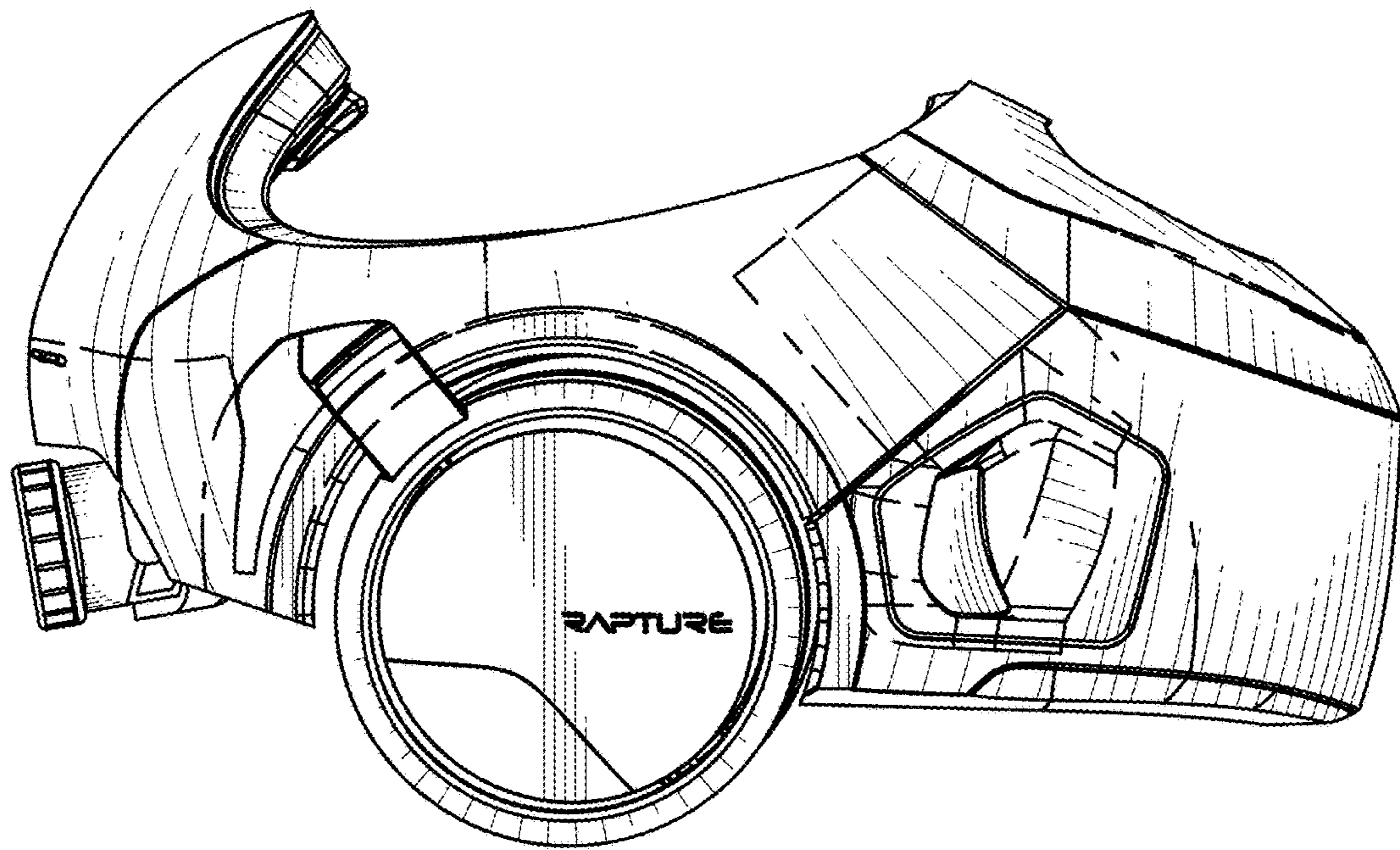


FIG. 4

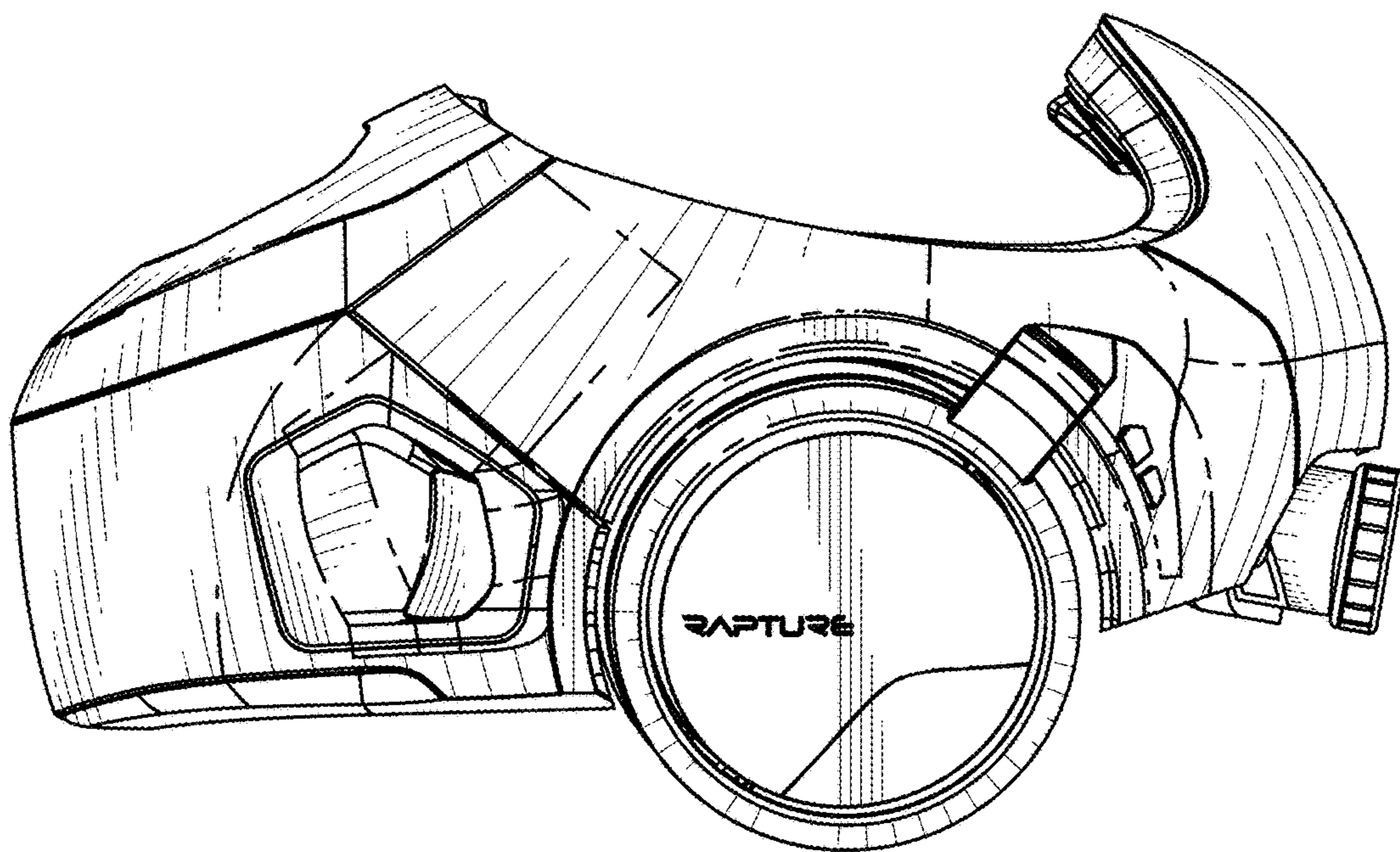


FIG. 5

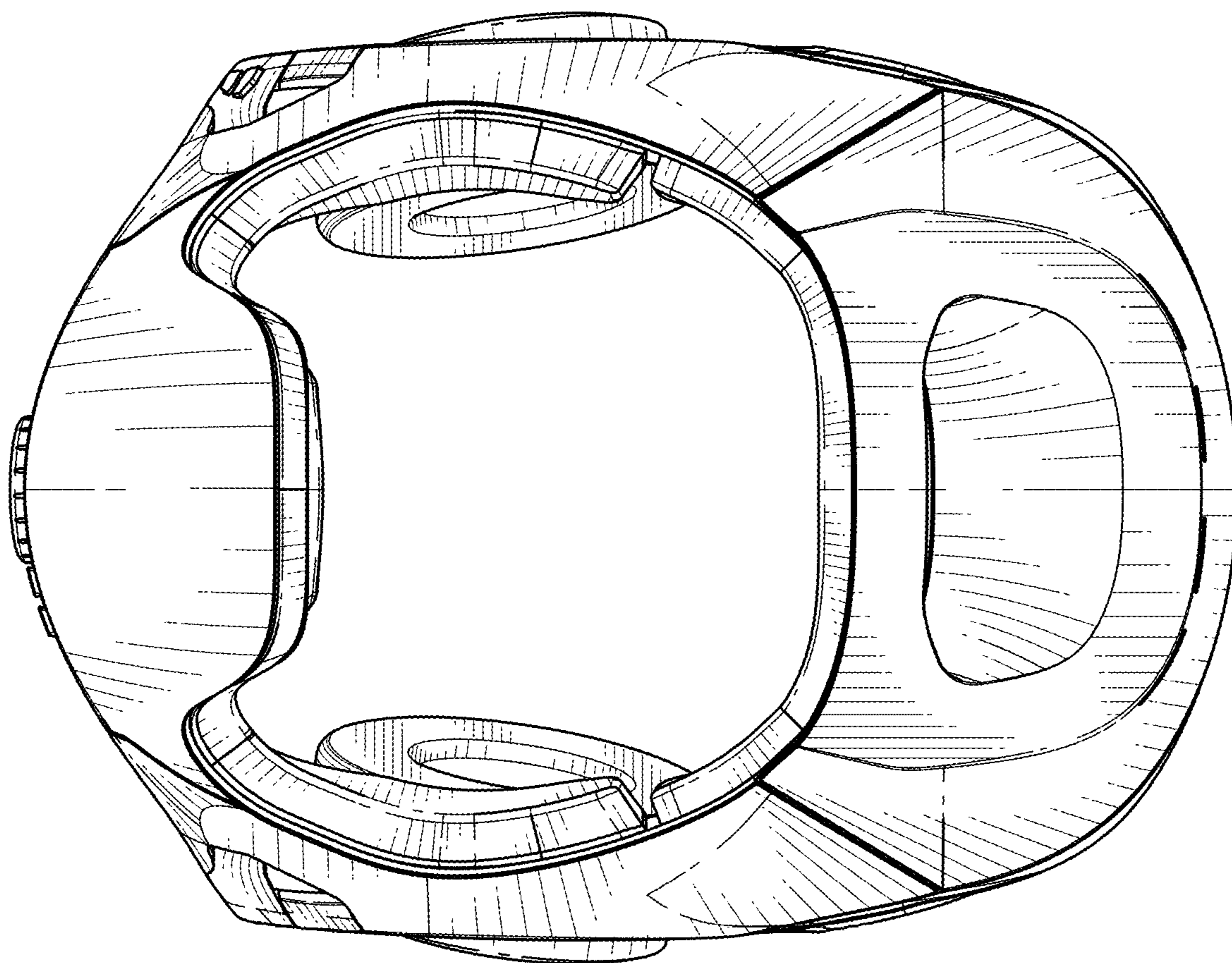


FIG. 6

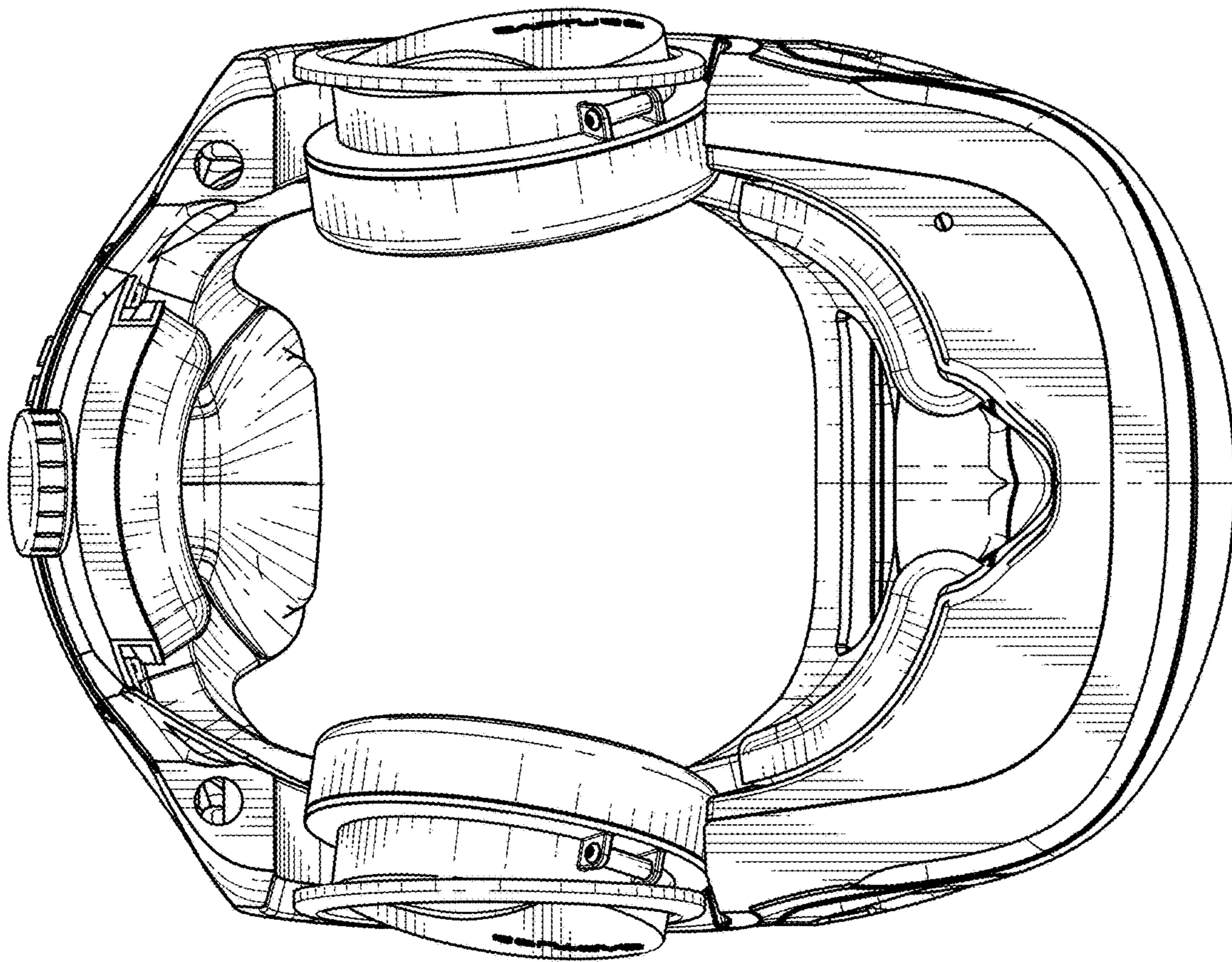


FIG. 7