



US00D781284S

(12) **United States Design Patent**
Suzuki et al.

(10) **Patent No.: US D781,284 S**
(45) **Date of Patent: ** *Mar. 14, 2017**

(54) **PORTABLE COMPUTER**

FOREIGN PATENT DOCUMENTS

(71) Applicant: **Panasonic Corporation**, Kadoma-shi,
Osaka (JP)

JP D1409097 3/2011
JP D1409406 3/2011

(72) Inventors: **So Suzuki**, Osaka (JP); **Kiyoshi Yoneya**, Osaka (JP)

OTHER PUBLICATIONS

(73) Assignee: **PANASONIC CORPORATION**,
Osaka (JP)

Toughpad FZ G1 MK1 Rugged Tablet PC, announced [online], [site visited Sep. 16, 2015]. Available from Internet, URL: <<http://www.tegatech.com.au/resellers/products/Toughpad-FZ-G1-MK1-Rugged-Tablet-PC.html>>.*

(*) Notice: This patent is subject to a terminal disclaimer.

(Continued)

(**) Term: **14 Years**

Primary Examiner — Barbara Fox
Assistant Examiner — Dana K Weiland

(21) Appl. No.: **29/481,961**

(74) *Attorney, Agent, or Firm* — Brinks Gilson & Lione

(22) Filed: **Feb. 12, 2014**

Related U.S. Application Data

(63) Continuation of application No. 29/436,416, filed on Nov. 6, 2012, now Pat. No. Des. 703,665.

(51) **LOC (10) Cl.** **14-02**

(52) **U.S. Cl.**

USPC **D14/341**

(58) **Field of Classification Search**

USPC D14/315–318, 341–347, 420, 426, 129,
D14/130, 496, 137, 138 R, 138 AA,
D14/138 C, 138 G, 147, 203.1, 203.3,
D14/204.4, 203.7, 218, 248, 388, 389;
D10/50, 65, 104.1; D21/329, 330;
D6/308, 310

CPC G06F 3/0485; G06F 3/0488; G06F 1/1613;
G06F 1/1624; G06F 1/1626; G06F 1/165;
H04M 1/0202; H04M 1/0264; H04M

(Continued)

(56) **References Cited**

U.S. PATENT DOCUMENTS

5,583,742 A * 12/1996 Noda G06F 1/1626
248/632

D519,394 S 4/2006 DiPasquale
(Continued)

(57) **CLAIM**

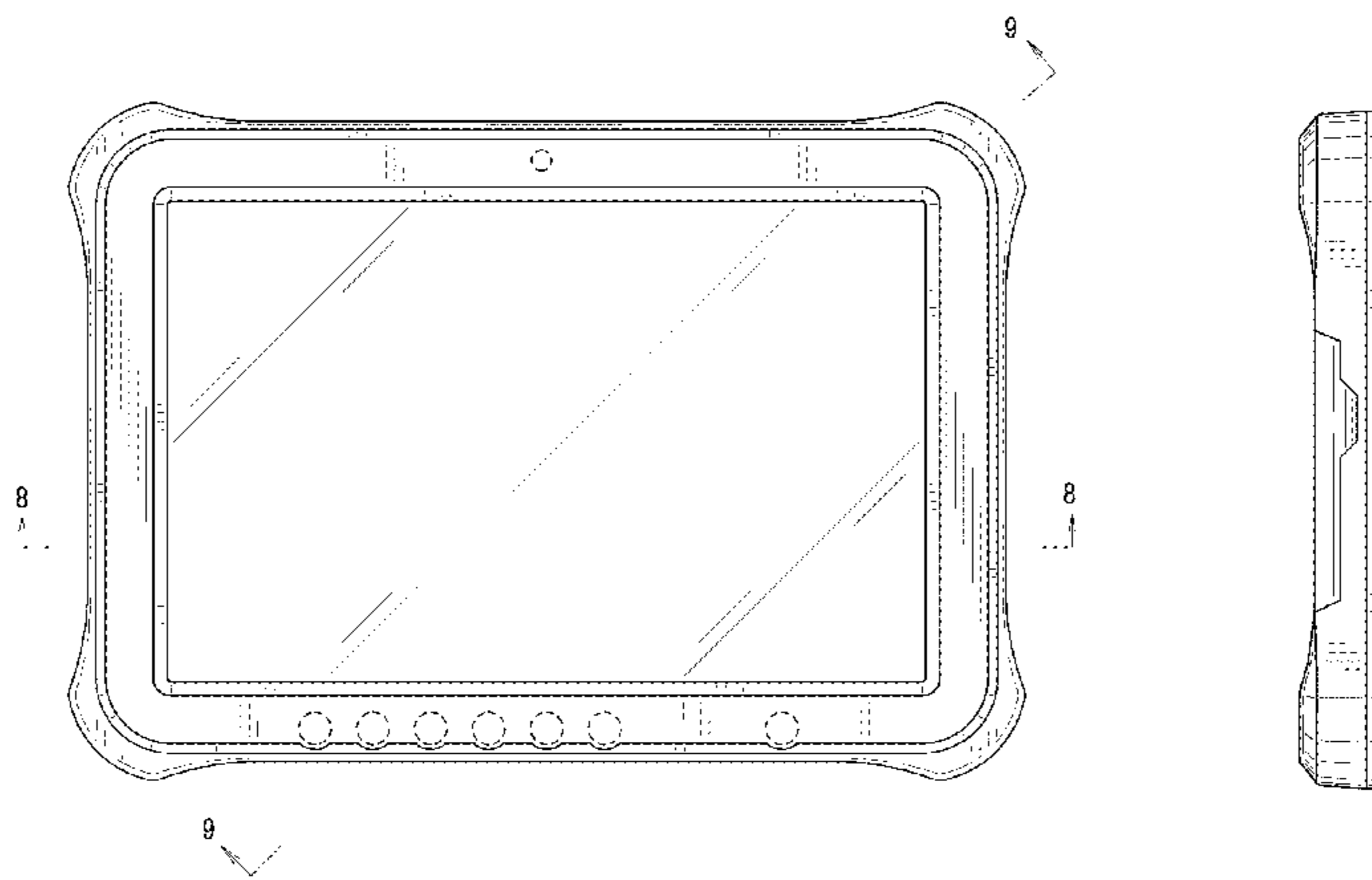
We claim the ornamental design for a portable computer, as shown and described.

DESCRIPTION

FIG. 1 is a front perspective view of a portable computer of the present invention;
FIG. 2 is a front view thereof;
FIG. 3 is a rear view thereof;
FIG. 4 is a first side view thereof;
FIG. 5 is a second side view thereof;
FIG. 6 is a top view thereof;
FIG. 7 is a bottom view thereof;
FIG. 8 is a cross-section view taken along the line 8-8 of FIG. 2; and,
FIG. 9 is a cross-section view taken along the line 9-9 of FIG. 2.

The broken lines shown represent portions of the portable computer that form no part of the claimed design.

1 Claim, 9 Drawing Sheets



(58) **Field of Classification Search**
 CPC 1/0214; H04M 1/0279; H04M 1/0281;
 H04M 1/0283; H04M 1/72544
 See application file for complete search history.

(56) **References Cited**

U.S. PATENT DOCUMENTS

D531,177 S *	10/2006	Okanoya	D14/346
D572,675 S *	7/2008	Qiu	D14/126
D615,973 S	5/2010	Sip et al.	
D624,542 S *	9/2010	Tang	D14/371
D627,780 S *	11/2010	Kuroda	D14/346
D635,971 S	4/2011	Sip et al.	
D638,395 S *	5/2011	Finnegan	D14/203.3
D645,040 S	9/2011	Morton et al.	
D649,964 S *	12/2011	Chikuma	D14/315
D654,499 S	2/2012	Wesolek	
D672,767 S *	12/2012	Yoneya	D14/341
D673,561 S *	1/2013	Hyun	D14/341
D674,386 S *	1/2013	Mak	D14/341
D676,043 S *	2/2013	Hirose	D14/341
D676,046 S	2/2013	Hatori et al.	
D698,354 S *	1/2014	Mak	D14/341
D701,203 S *	3/2014	Katori	D14/341

D703,665 S *	4/2014	Suzuki	D14/341
D718,315 S *	11/2014	Carpenter	D14/439
D719,151 S *	12/2014	Hirayama	D14/341
D719,565 S *	12/2014	Hirayama	D14/341
D723,027 S *	2/2015	Leonard	D14/315
D723,028 S *	2/2015	Leonard	D14/316
D723,551 S *	3/2015	Fu	D14/341
D734,333 S *	7/2015	Lee	D14/315
D743,392 S *	11/2015	Ju	D14/341
D746,278 S *	12/2015	Chen	D14/341
D753,223 S *	4/2016	Chin	D19/113
2013/0140837 A1 *	6/2013	Carroll	F16M 13/04 294/142
2014/0009873 A1 *	1/2014	Nashner	B41M 5/267 361/679.01
2014/0079231 A1 *	3/2014	Yu	H04M 1/0281 381/59

OTHER PUBLICATIONS

Panasonic Toughpad Rugged Tablet for Field Maintenance, announced Nov. 3, 2011 [online], [site visited Sep. 16, 2015]. Available from Internet, URL: <<https://www.youtube.com/watch?v=6meFAgyDlwl>>.*

* cited by examiner

FIG. 1

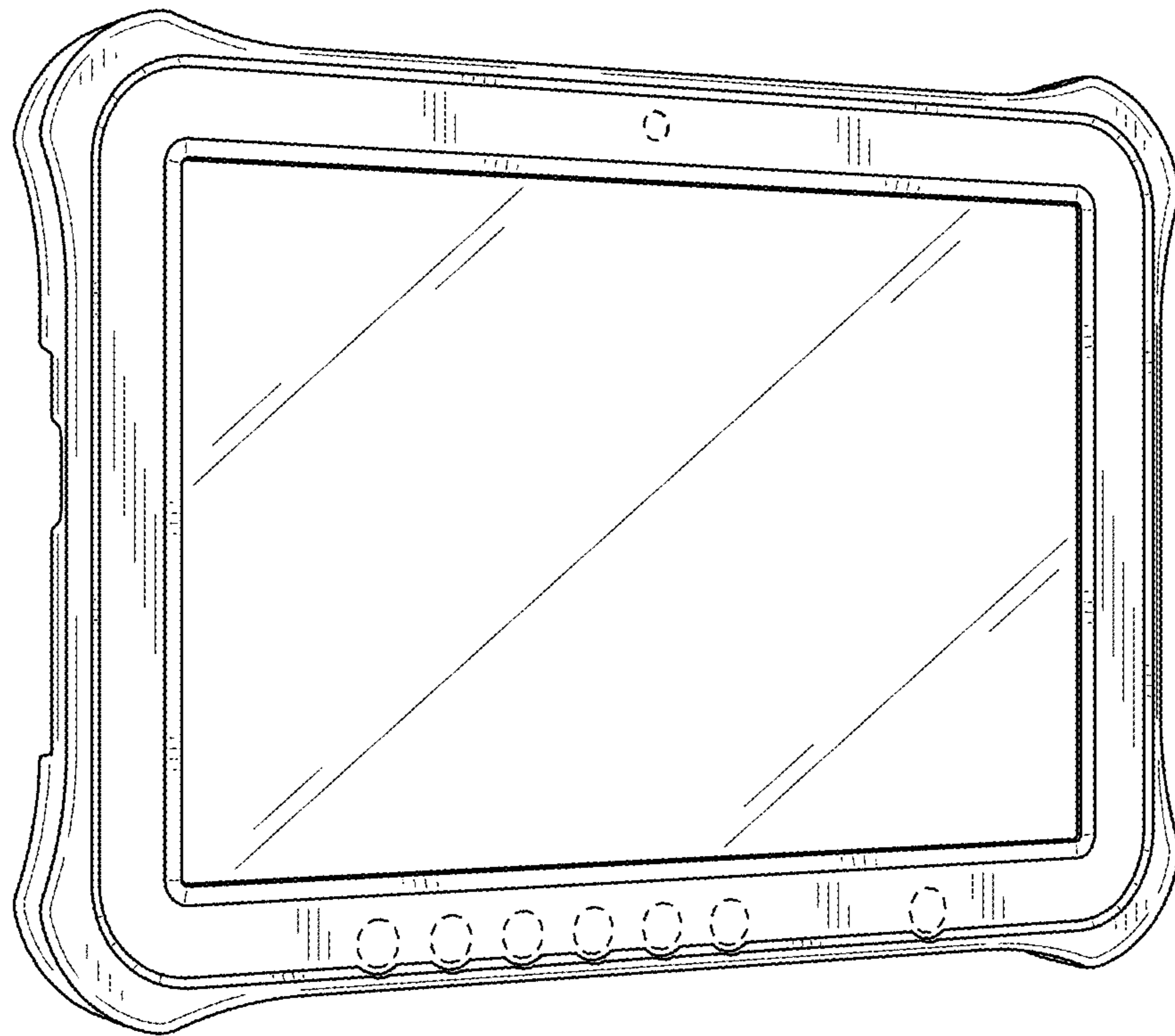


FIG. 2

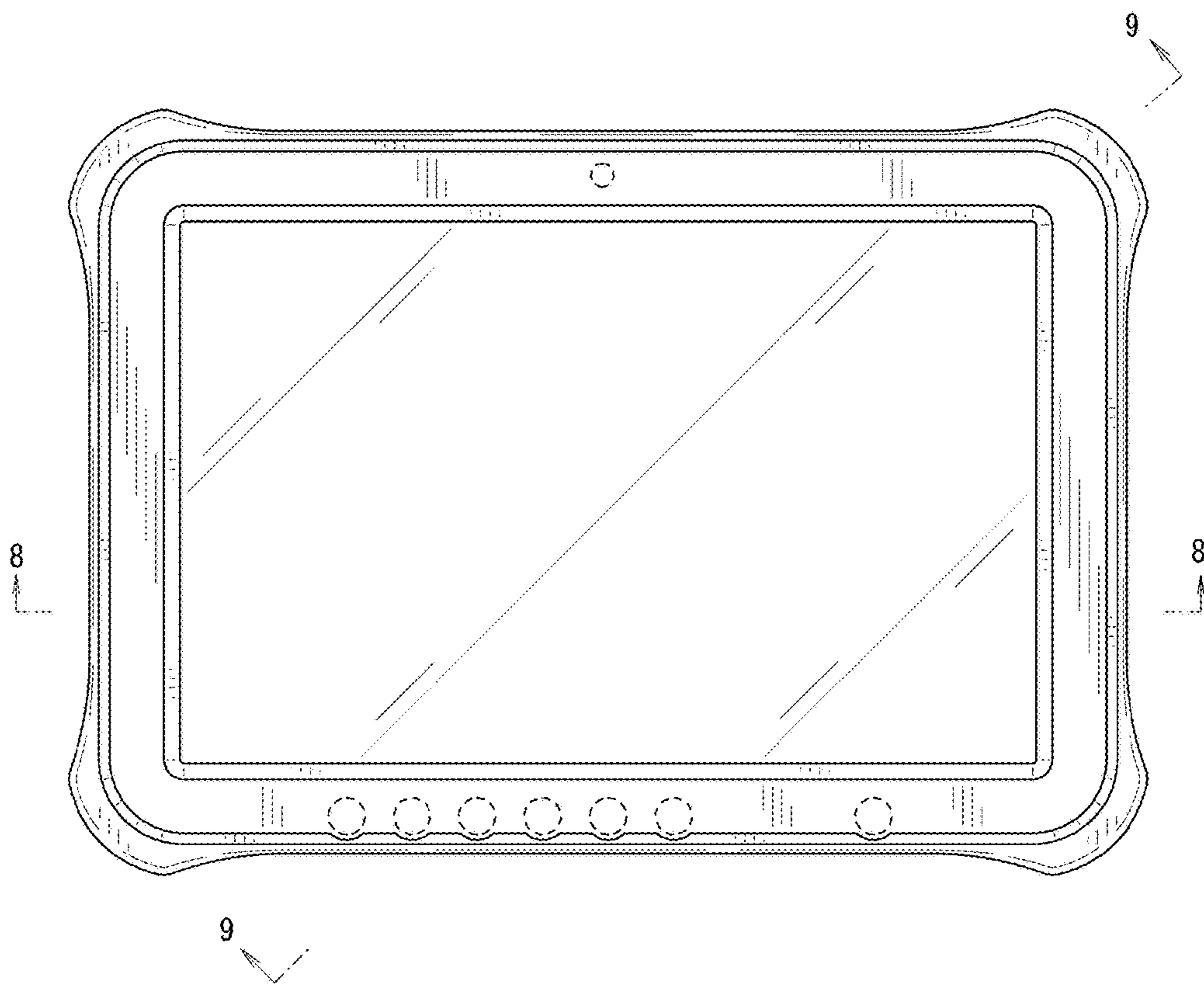


FIG. 3

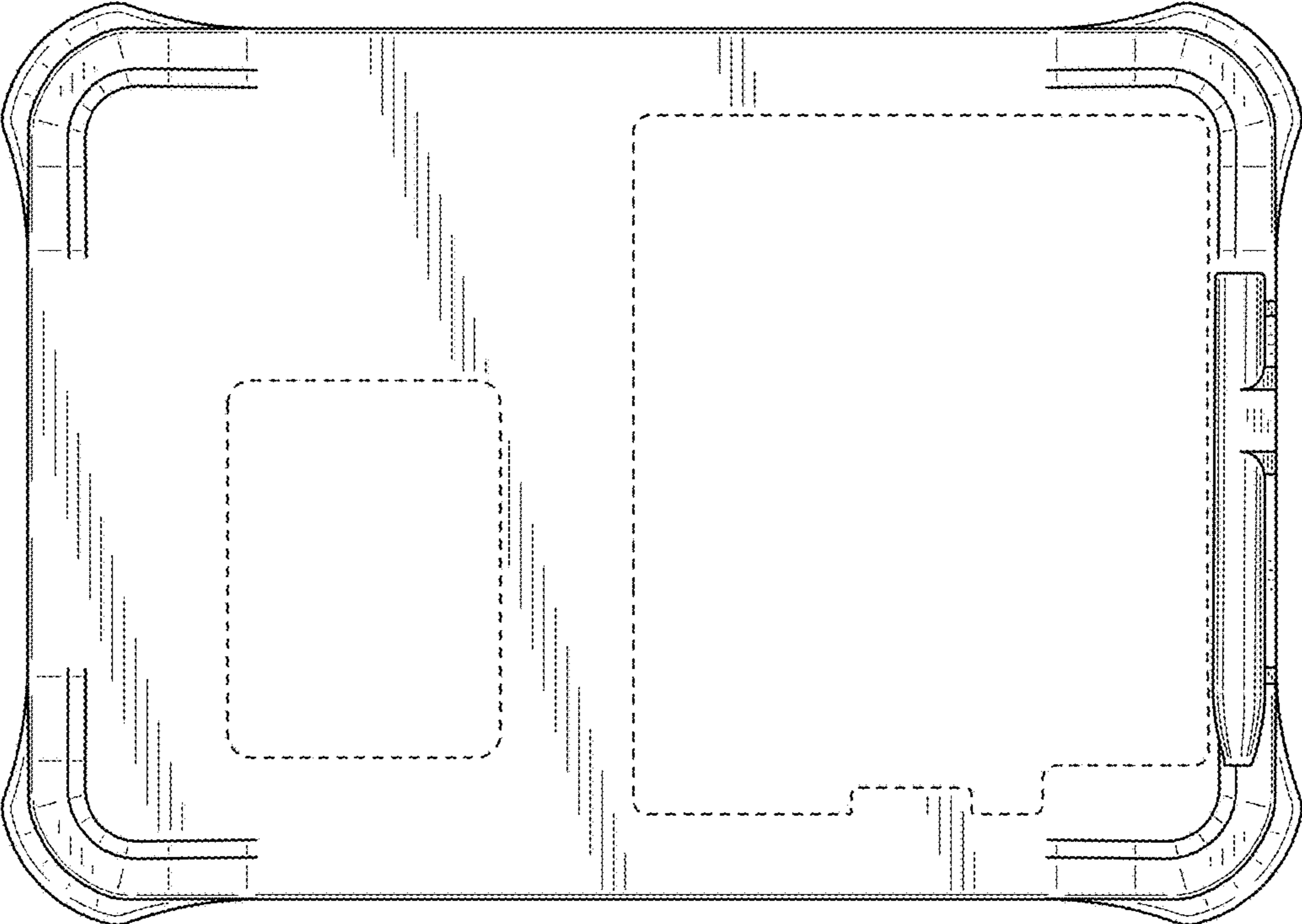


FIG. 4

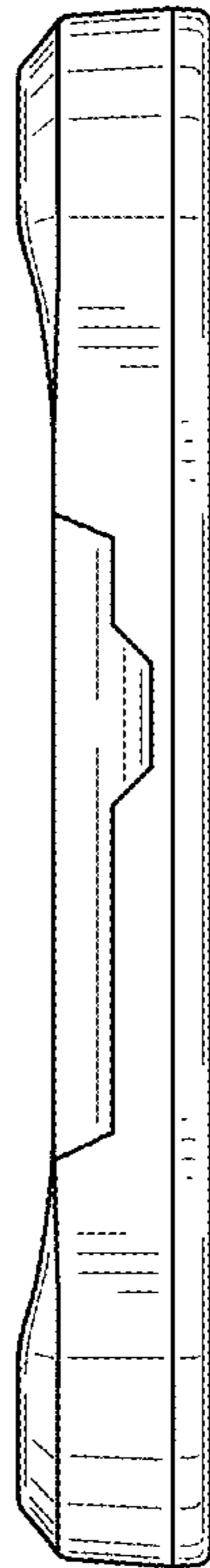


FIG. 5

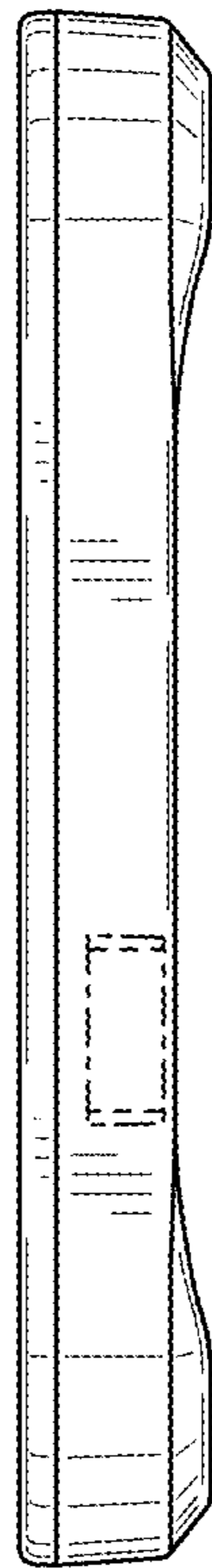


FIG. 6

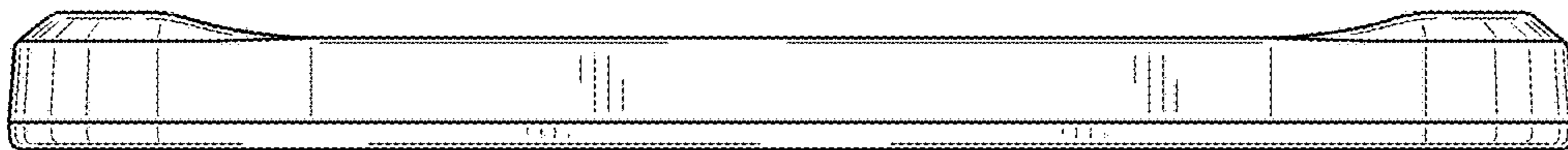


FIG. 7

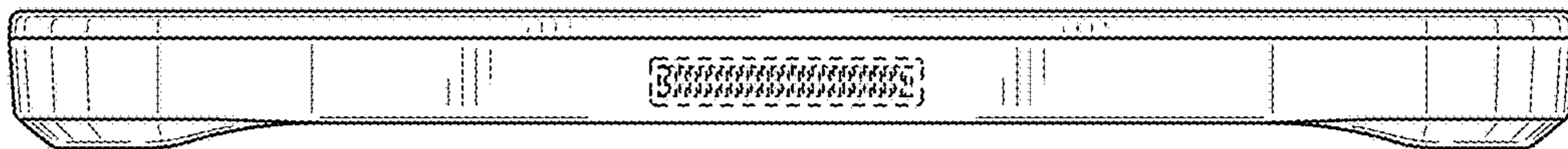


FIG. 8

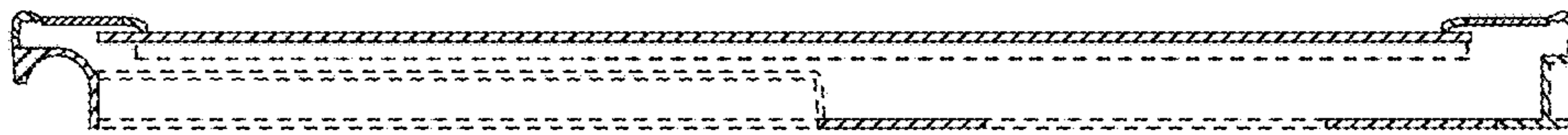


FIG. 9

