



US00D781283S

(12) **United States Design Patent**  
**Son et al.**

(10) **Patent No.:** **US D781,283 S**  
(45) **Date of Patent:** **\*\* Mar. 14, 2017**

(54) **ALL-IN-ONE PERSONAL COMPUTER**

(71) Applicant: **Samsung Electronics Co., Ltd.**,  
Suwon-si (KR)

(72) Inventors: **Hyunjoo Son**, Seoul (KR); **Hoyoung Seoc**, Seoul (KR)

(73) Assignee: **Samsung Electronics Co., Ltd.**,  
Suwon-si (KR)

(\*\*) Term: **14 Years**

(21) Appl. No.: **29/526,177**

(22) Filed: **May 7, 2015**

(30) **Foreign Application Priority Data**

Dec. 30, 2014 (KR) ..... 30-2014-0064232

(51) **LOC (10) Cl.** ..... **14-02**

(52) **U.S. Cl.**  
USPC ..... **D14/336**

(58) **Field of Classification Search**  
USPC ..... D14/371-375, 125-129, 336, 337, 341;  
341/12; 345/104, 156, 168, 173;  
348/180, 184, 325, 739; 349/1, 2, 11, 62;  
361/679.05-679.07, 679.21; D6/300,  
D6/308; D20/10  
CPC ..... G06F 1/16; G06F 1/1601; G06F 3/037;  
G06F 1/162; G06F 1/1613; F16M 11/02;  
F16M 11/10; F16M 11/00; G02F  
1/133308  
See application file for complete search history.

(56) **References Cited**

**U.S. PATENT DOCUMENTS**

D619,135 S \* 7/2010 Lin ..... D14/374  
D634,323 S \* 3/2011 Park ..... D14/374

D705,225 S \* 5/2014 Huh ..... D14/374  
D706,734 S \* 6/2014 Takami ..... D14/126  
D721,666 S \* 1/2015 Son ..... D14/126  
D722,068 S \* 2/2015 Jung ..... D14/447

**FOREIGN PATENT DOCUMENTS**

KR 30-2014-0023516 12/2014

**OTHER PUBLICATIONS**

Starplanet. "The first curved monitor, Ostendo 43" Curved Monitor Price \$6,500". Starplanet.com Nov. 1, 2013. <<http://starplanet.tistory.com/1357>>.

\* cited by examiner

*Primary Examiner* — Freda S Nunn

(74) *Attorney, Agent, or Firm* — NSIP Law

(57) **CLAIM**

We claim the ornamental design for an all-in-one personal computer, as shown and described.

**DESCRIPTION**

FIG. 1 is a front perspective view of an all-in-one personal computer showing our new design;  
FIG. 2 is a front view thereof;  
FIG. 3 is a rear view thereof;  
FIG. 4 is a left-side view thereof;  
FIG. 5 is a right-side view thereof;  
FIG. 6 is a top view thereof;  
FIG. 7 is a bottom view thereof; and,  
FIG. 8 is a rear perspective view thereof.  
The broken lines in the figures show portions of the all-in-one personal computer which form no part of the claimed design.

**1 Claim, 8 Drawing Sheets**

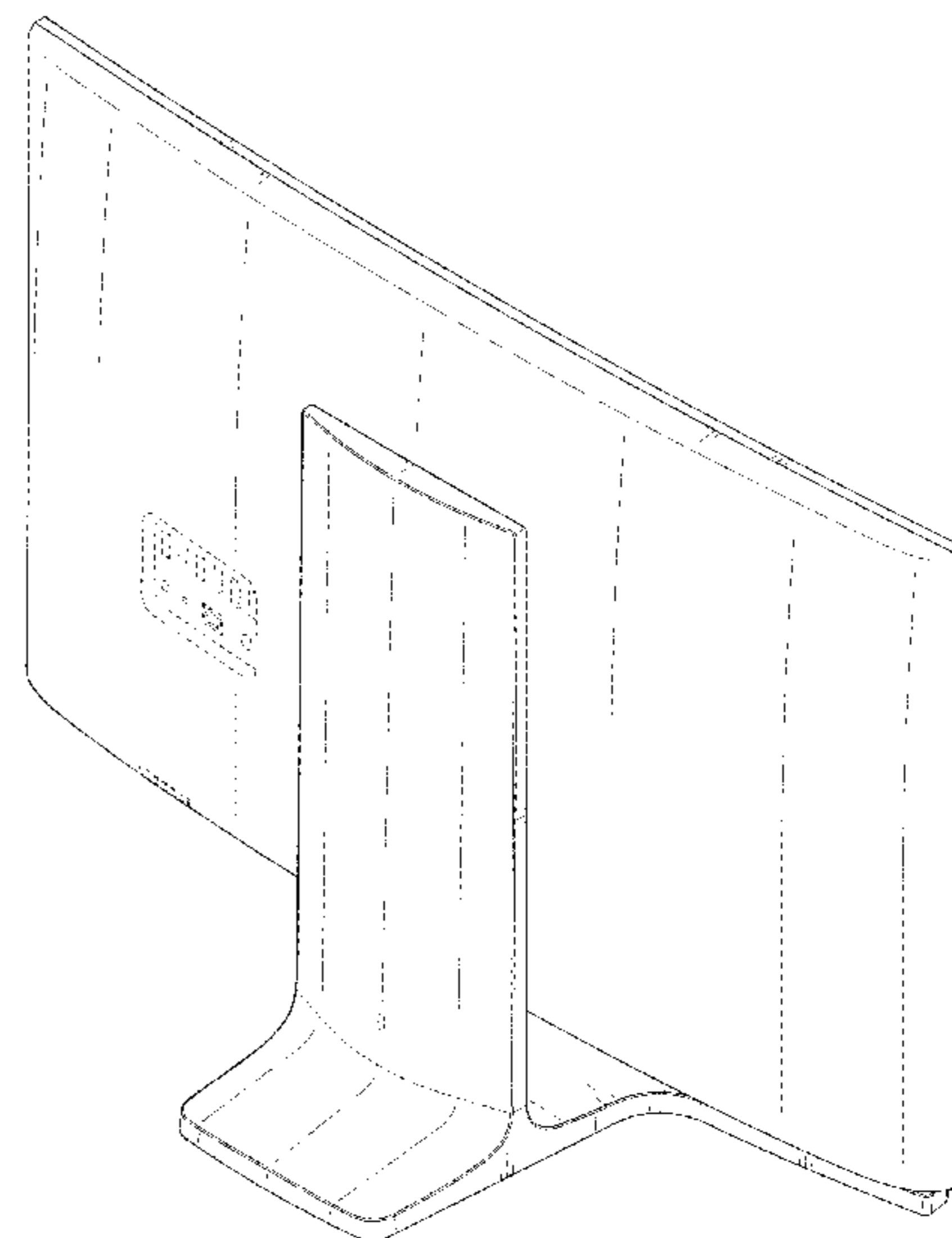
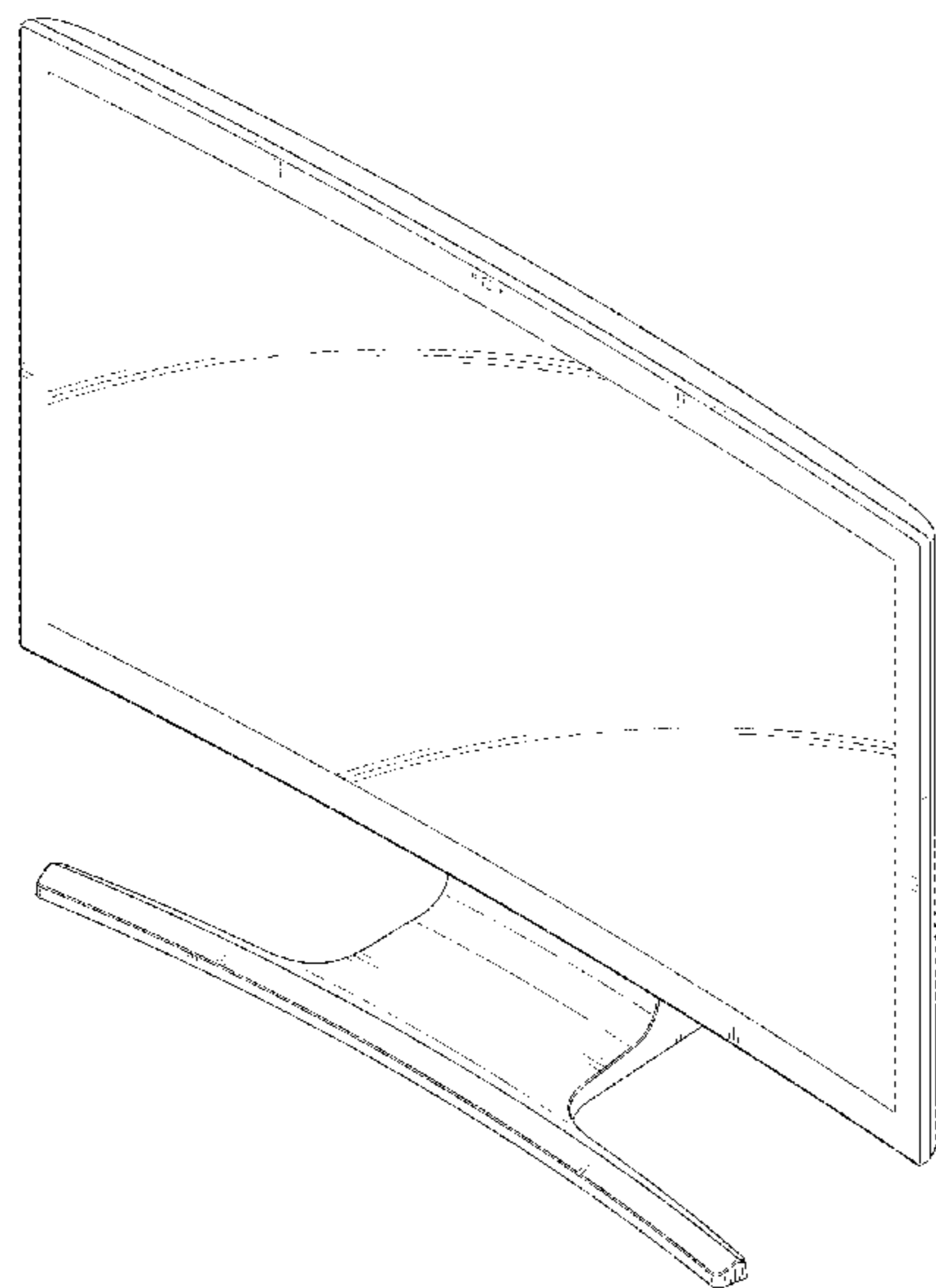


FIG. 1

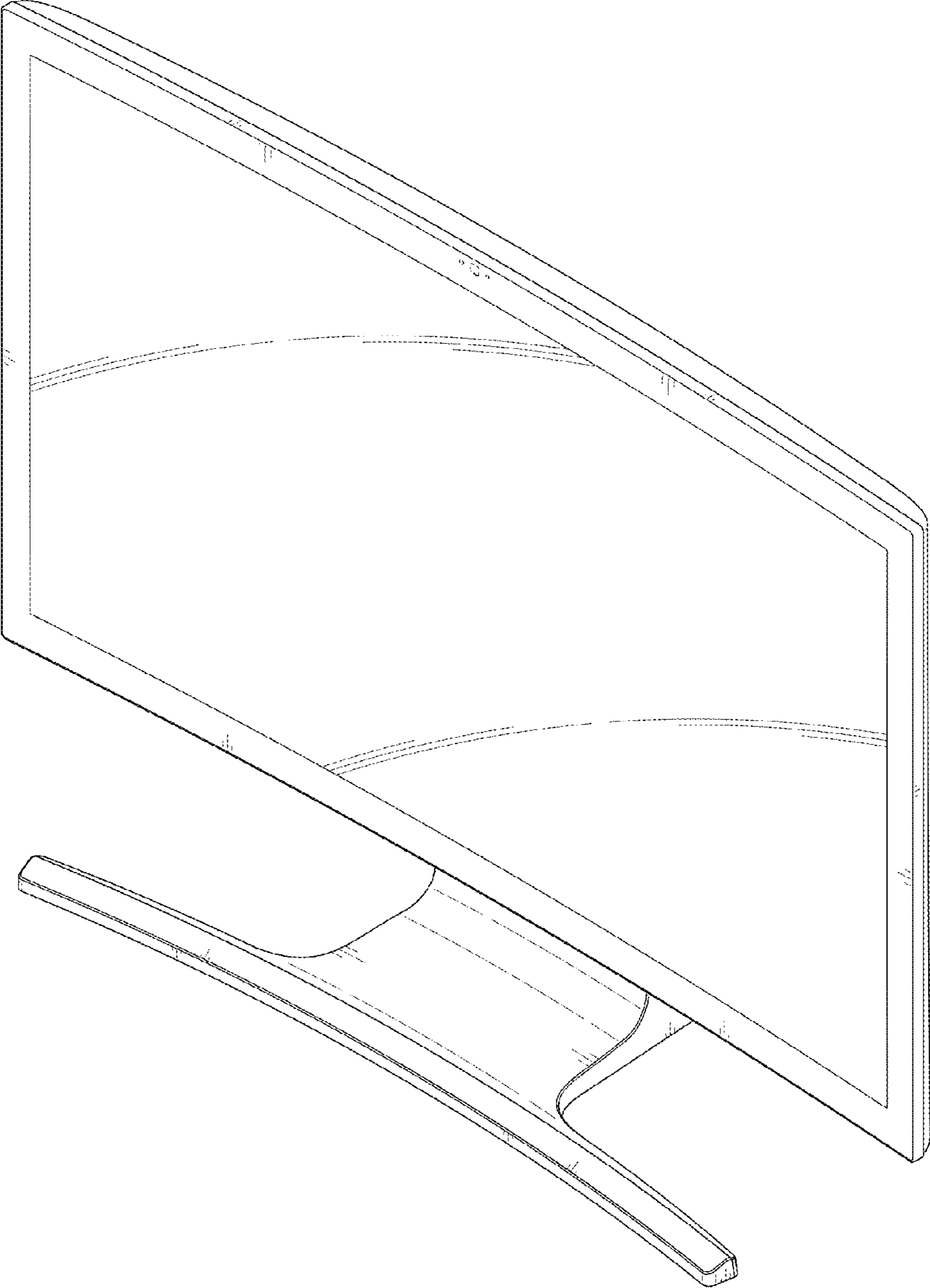


FIG. 2

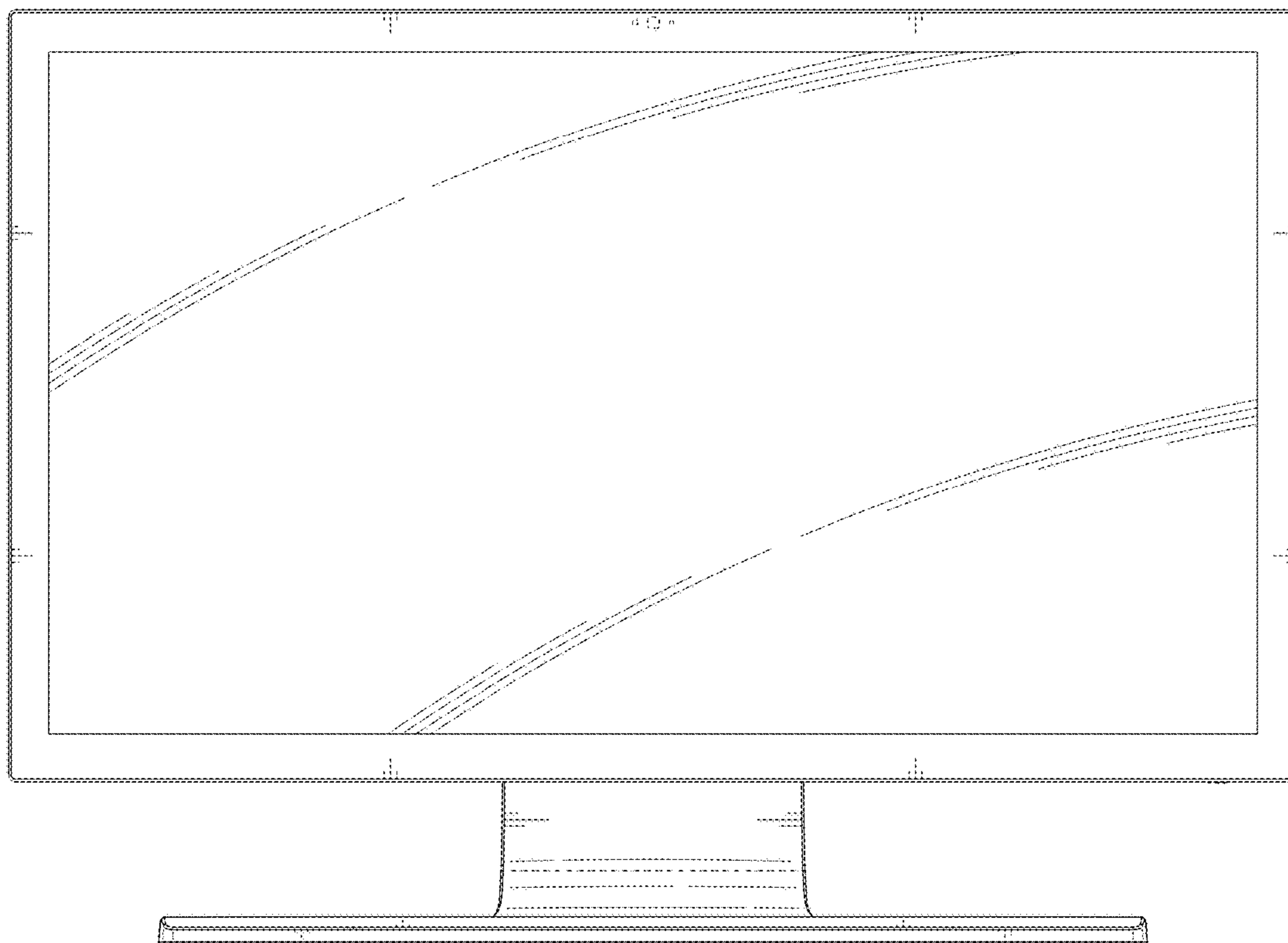


FIG. 3

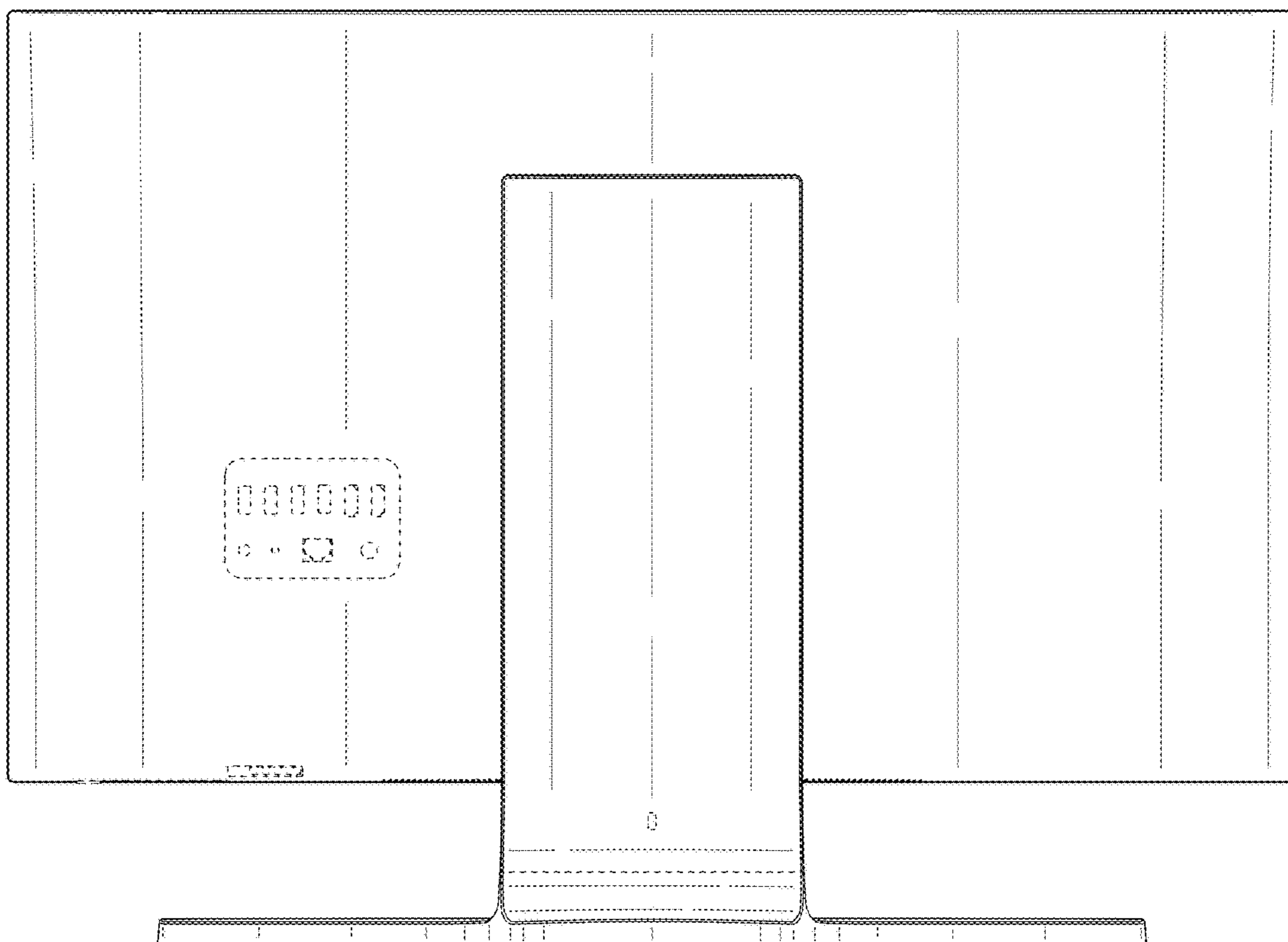


FIG. 4

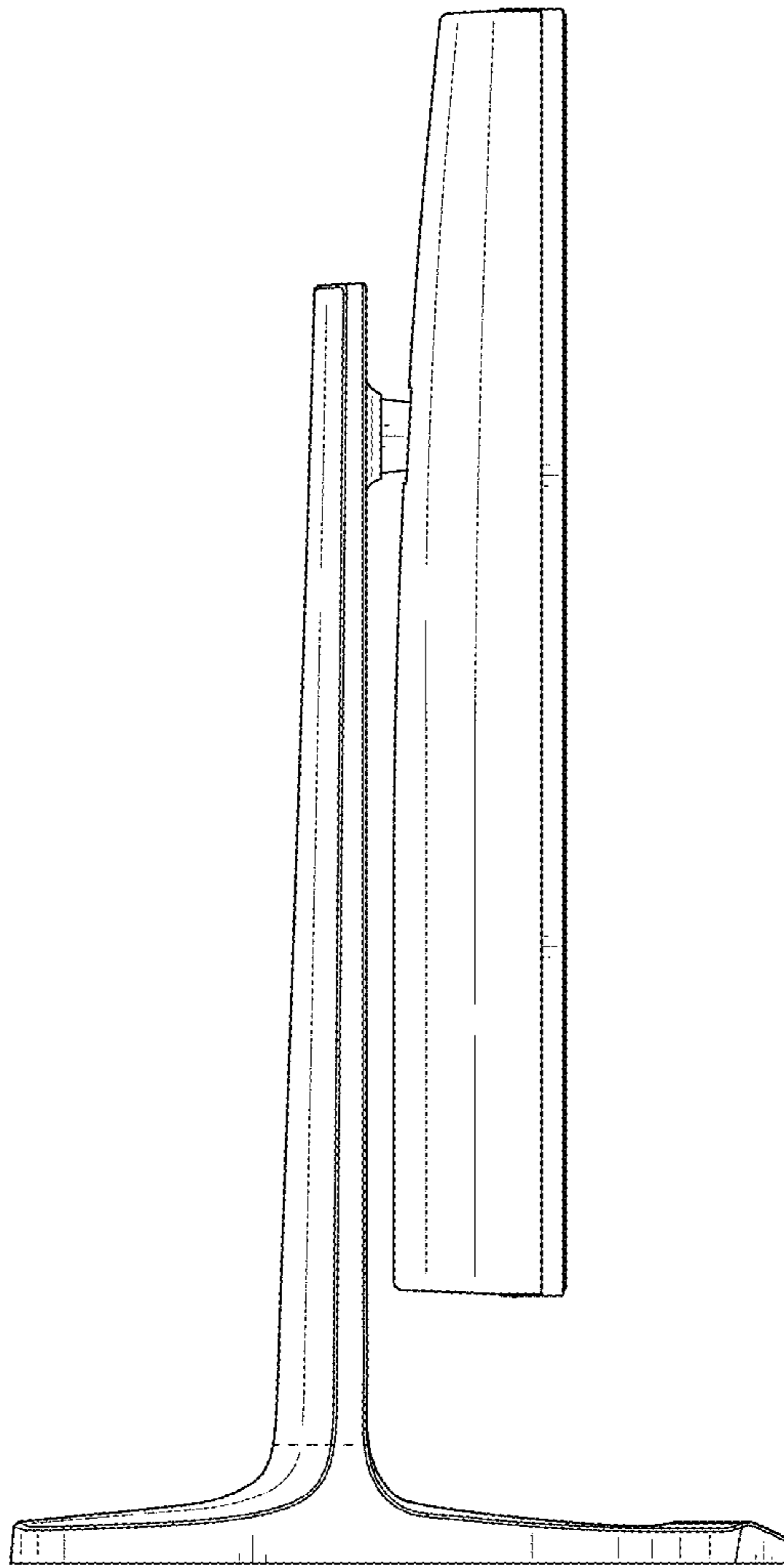


FIG. 5

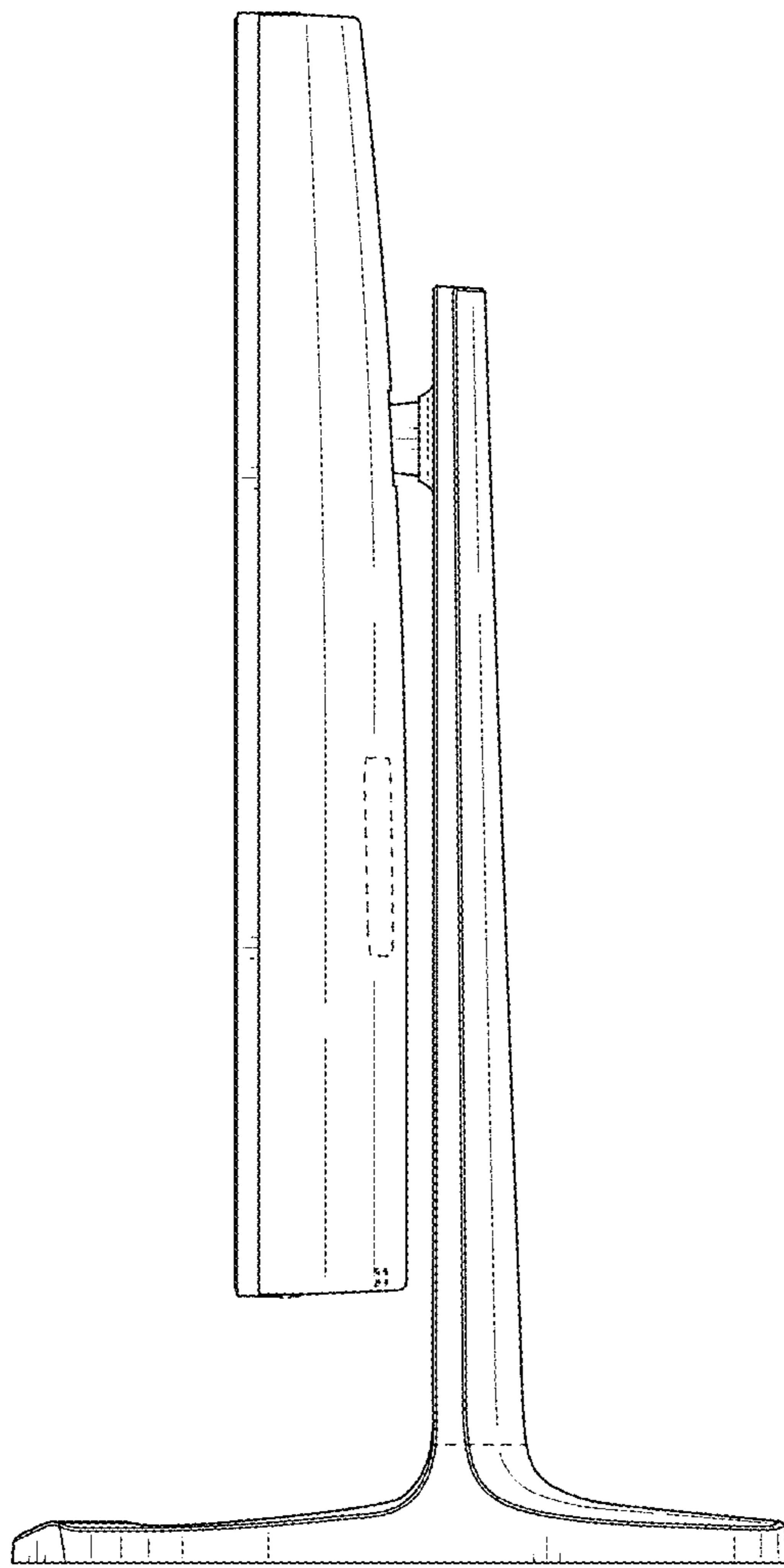


FIG. 6

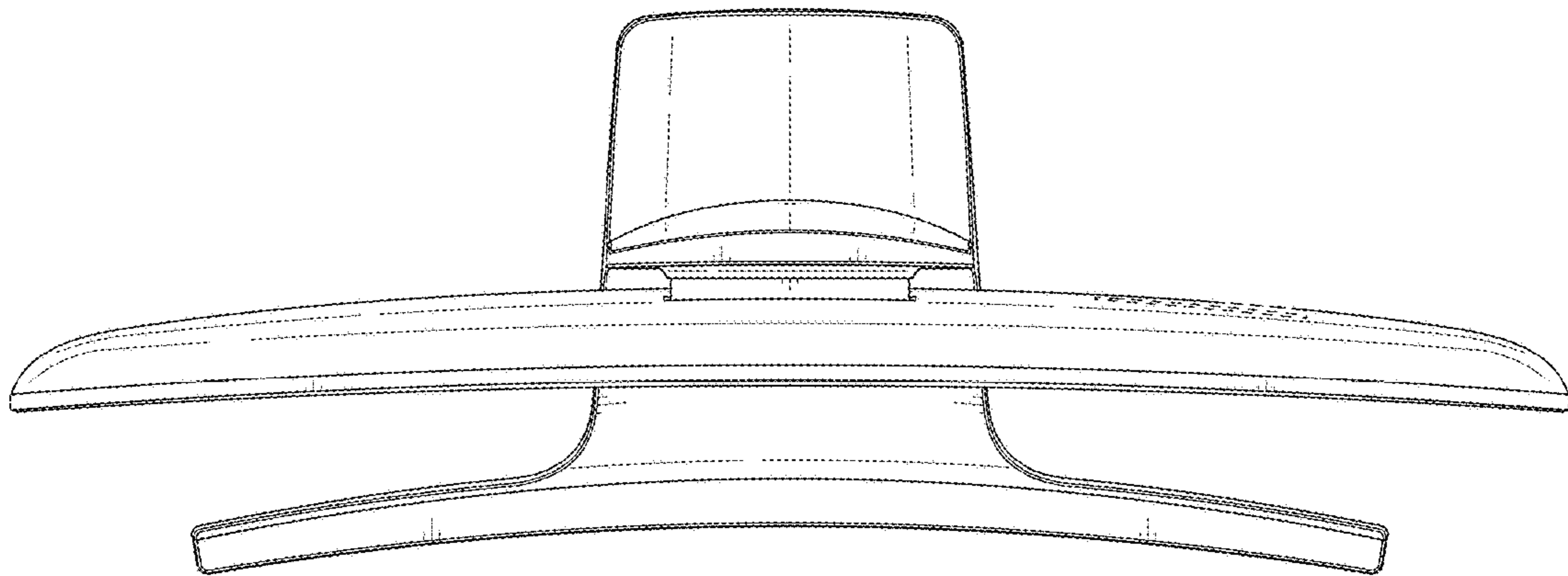


FIG. 7

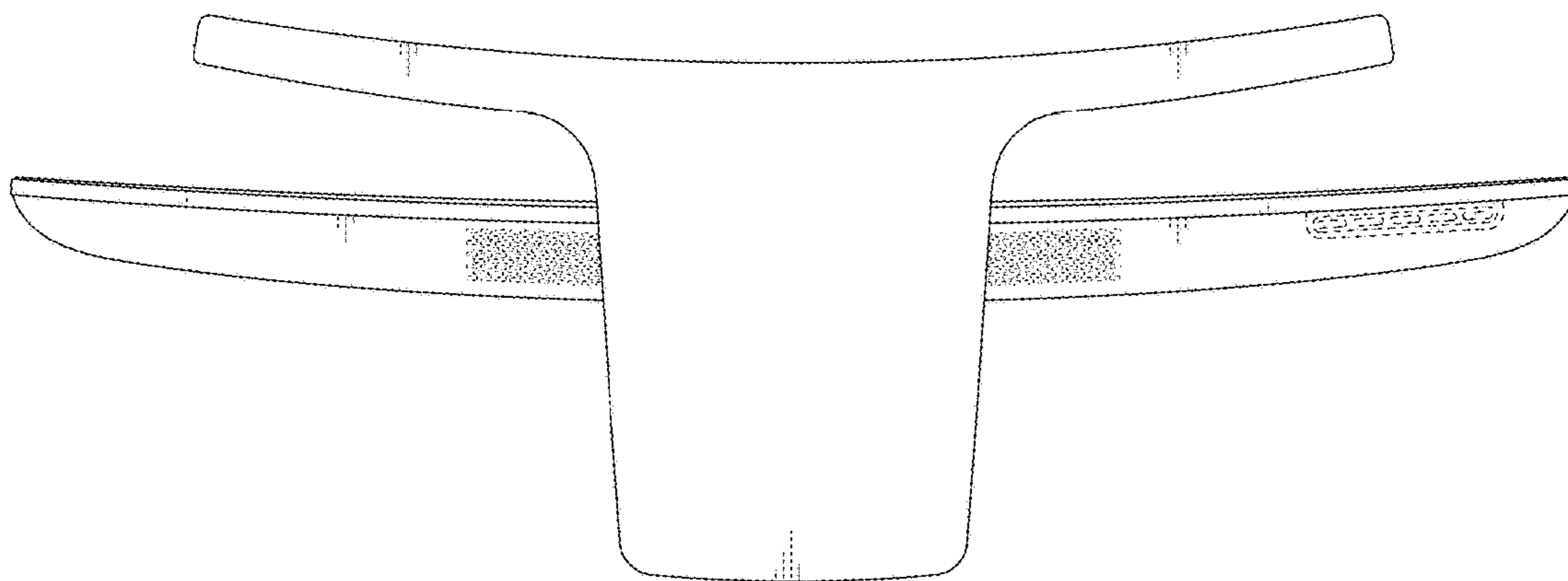




FIG. 8

