



US00D781280S

(12) **United States Design Patent** (10) **Patent No.:** **US D781,280 S**
Lyles et al. (45) **Date of Patent:** **** Mar. 14, 2017**

(54) **INFORMATION HANDLING SYSTEM**

(71) Applicant: **Dell Products L.P.**, Round Rock, TX (US)

(72) Inventors: **Justin C. Lyles**, Austin, TX (US);
Jung-Hwan Hong, Austin, TX (US);
Brian Hargrove Leonard, Austin, TX (US)

(73) Assignee: **Dell Products L.P.**, Round Rock, TX (US)

(**) Term: **15 Years**

(21) Appl. No.: **29/544,723**

(22) Filed: **Nov. 5, 2015**

(51) **LOC (10) Cl.** **14-02**

(52) **U.S. Cl.**
USPC **D14/315**

(58) **Field of Classification Search**
USPC D14/315-327, 341, 434, 391-399;
D18/1, 2, 7, 11; 235/145 A, 145 R;
(Continued)

(56) **References Cited**

U.S. PATENT DOCUMENTS

6,937,468 B2* 8/2005 Lin G06F 1/1632
361/679.41
7,254,012 B2* 8/2007 Chou G06F 3/0202
361/679.09

(Continued)

Primary Examiner — Freda S Nunn

(74) *Attorney, Agent, or Firm* — Terrile, Cannatti,
Chambers & Holland, LLP; Robert W. Holland

(57) **CLAIM**

We claim the ornamental design for an information handling system, as shown and described.

DESCRIPTION

FIG. 1 is a front perspective view of the information handling system in an open position comprising the present invention;

FIG. 2 is a front view thereof in an open position;

FIG. 3 is a rear view thereof in an open position;

FIG. 4 is a top view thereof in an open position;

FIG. 5 is a bottom view thereof in an open position;

FIG. 6 is a right side view thereof in an open position;

FIG. 7 is a left side view thereof in an open position;

FIG. 8 is a front perspective view of the display thereof wherein the keyboard is removed for clarity of illustration only;

FIG. 9 is a front view of the display portion;

FIG. 10 is a rear view of the display portion;

FIG. 11 is a left side view of the display portion;

FIG. 12 is a right side view of the display portion;

FIG. 13 is a top view of the display portion;

FIG. 14 is a bottom view of the display portion;

FIG. 15 is a front perspective view of the keyboard thereof wherein the display is removed for clarity of illustration only;

FIG. 16 is a front view of the display portion in a closed position over the keyboard portion;

FIG. 17 is a rear view of the display portion in a closed position over the keyboard portion;

FIG. 18 is a right side view of the keyboard portion;

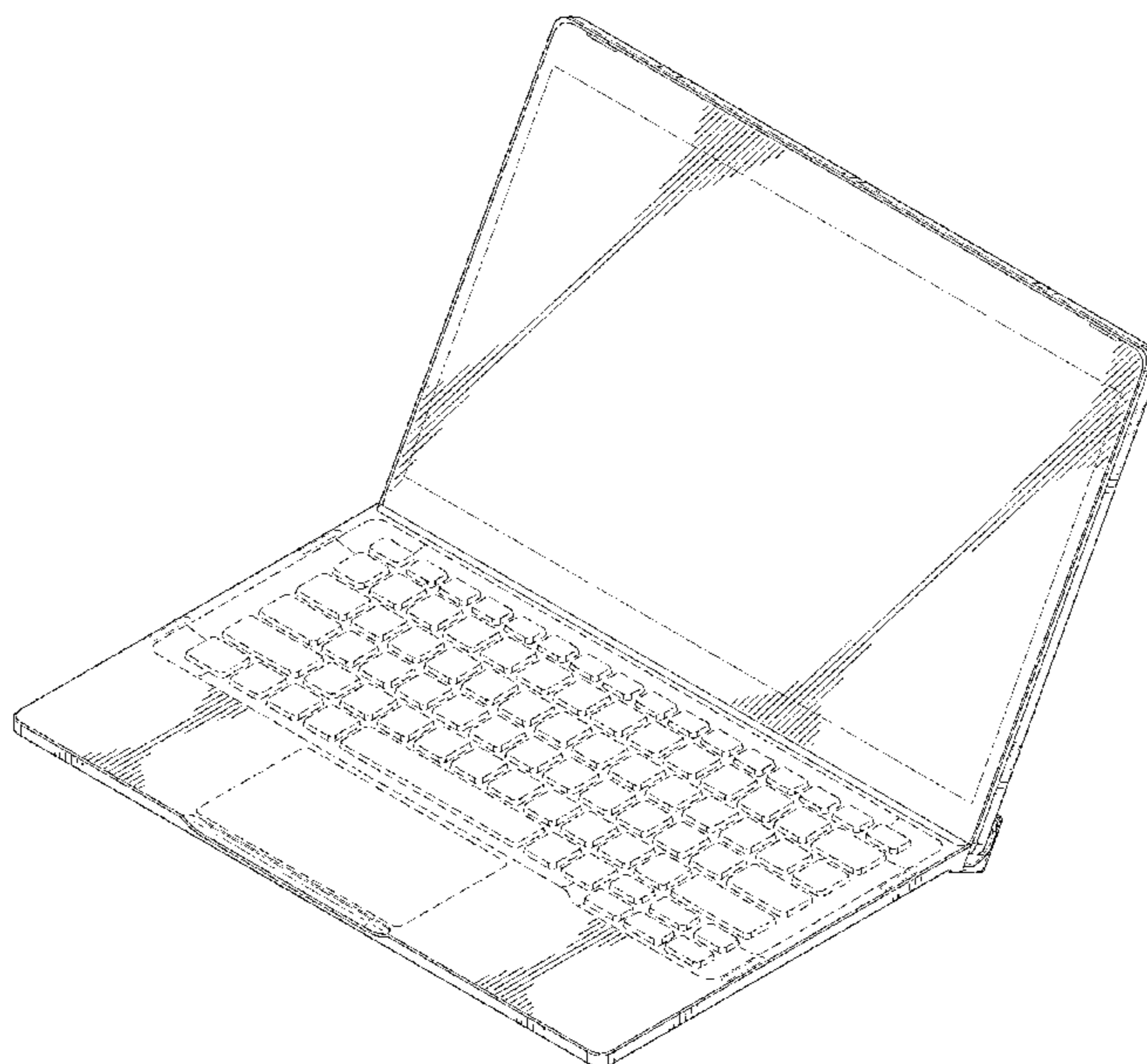
FIG. 19 is a left side view of the keyboard portion;

FIG. 20 is a top view of the keyboard portion; and,

FIG. 21 is a bottom view of the keyboard portion.

Broken lines shown in the drawings illustrate portions of the information handling system, and form no part of the claimed design.

1 Claim, 16 Drawing Sheets



(58) **Field of Classification Search**

USPC 341/22, 23; 345/104, 156, 168, 169, 173;
361/679.08, 679.09, 679.11, 679.26,
361/679.27
CPC G06F 1/16; G06F 1/1616; G06F 1/1626;
G06F 1/1632; G06F 1/1613; G06F
1/1601; G06F 1/1618; G06F 1/162; G06F
1/166; G06F 1/1654; G06F 1/1681; G06F
1/1637; G06F 1/1688; H01R 35/02;
H03M 11/00; G09B 13/04; H03K 17/94;
G09G 5/00; F16M 11/10; H05K 5/00;
H05K 7/02; H04M 1/0237

See application file for complete search history.

(56) **References Cited**

U.S. PATENT DOCUMENTS

D628,998	S *	12/2010	Wu	D14/391
D673,574	S *	1/2013	Gengler	D14/392
D676,041	S *	2/2013	McManigal	D14/315
D679,705	S *	4/2013	McManigal	D14/318
D680,117	S *	4/2013	Ho	D14/318
D684,155	S *	6/2013	Hsu	D14/374
D705,774	S *	5/2014	Hung	D14/316
D729,792	S *	5/2015	Kurimoto	D14/315
D734,323	S *	7/2015	Takizawa	D14/316
9,167,711	B2 *	10/2015	Lee	G06F 1/1654
2008/0225471	A1 *	9/2008	Takizawa	G06F 1/1601 361/824
2011/0162987	A1 *	7/2011	Bekele	G06F 1/1616 206/320
2011/0255727	A1 *	10/2011	Azuchi	G06F 1/1616 381/333

* cited by examiner

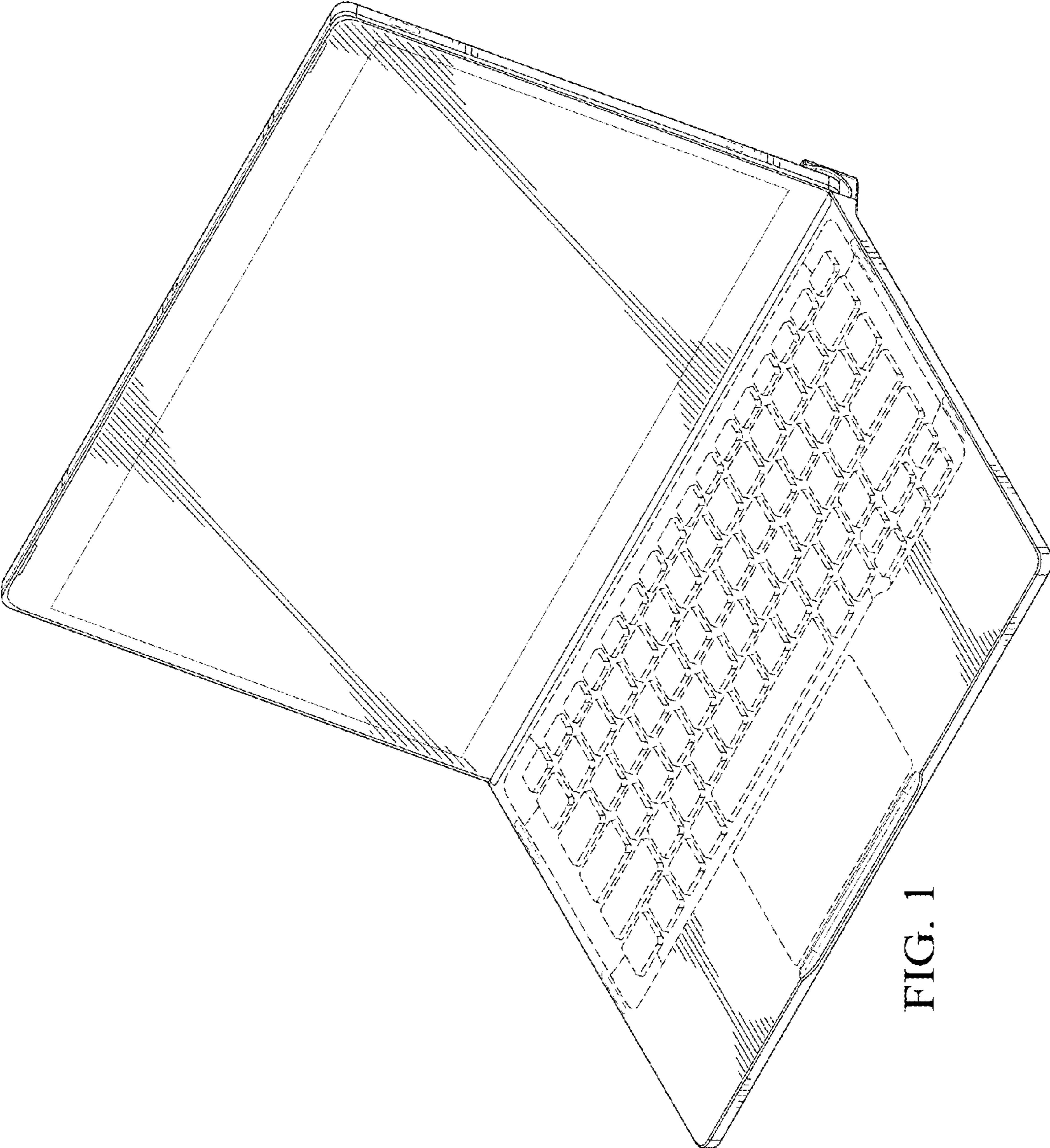


FIG. 1

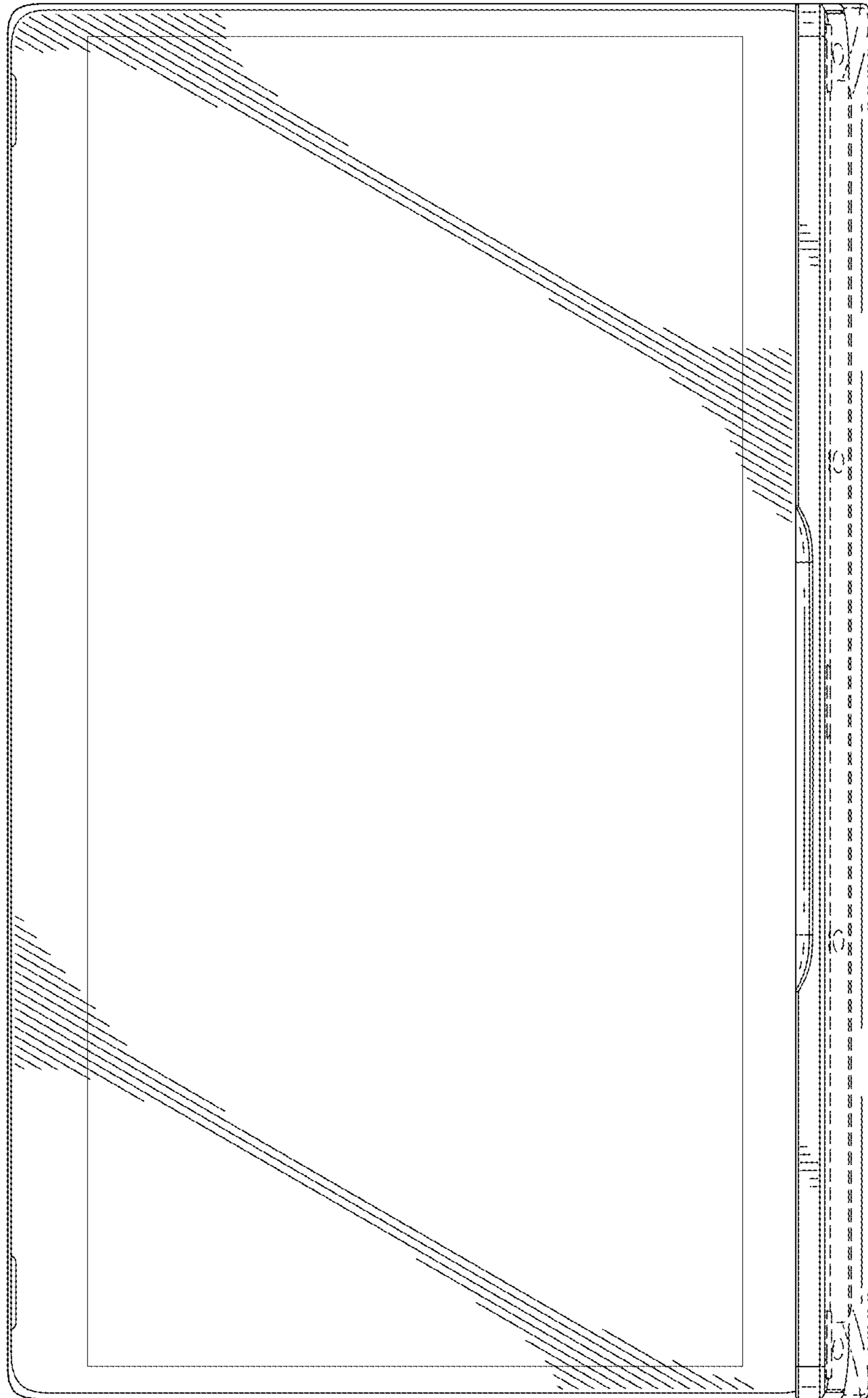


FIG. 2

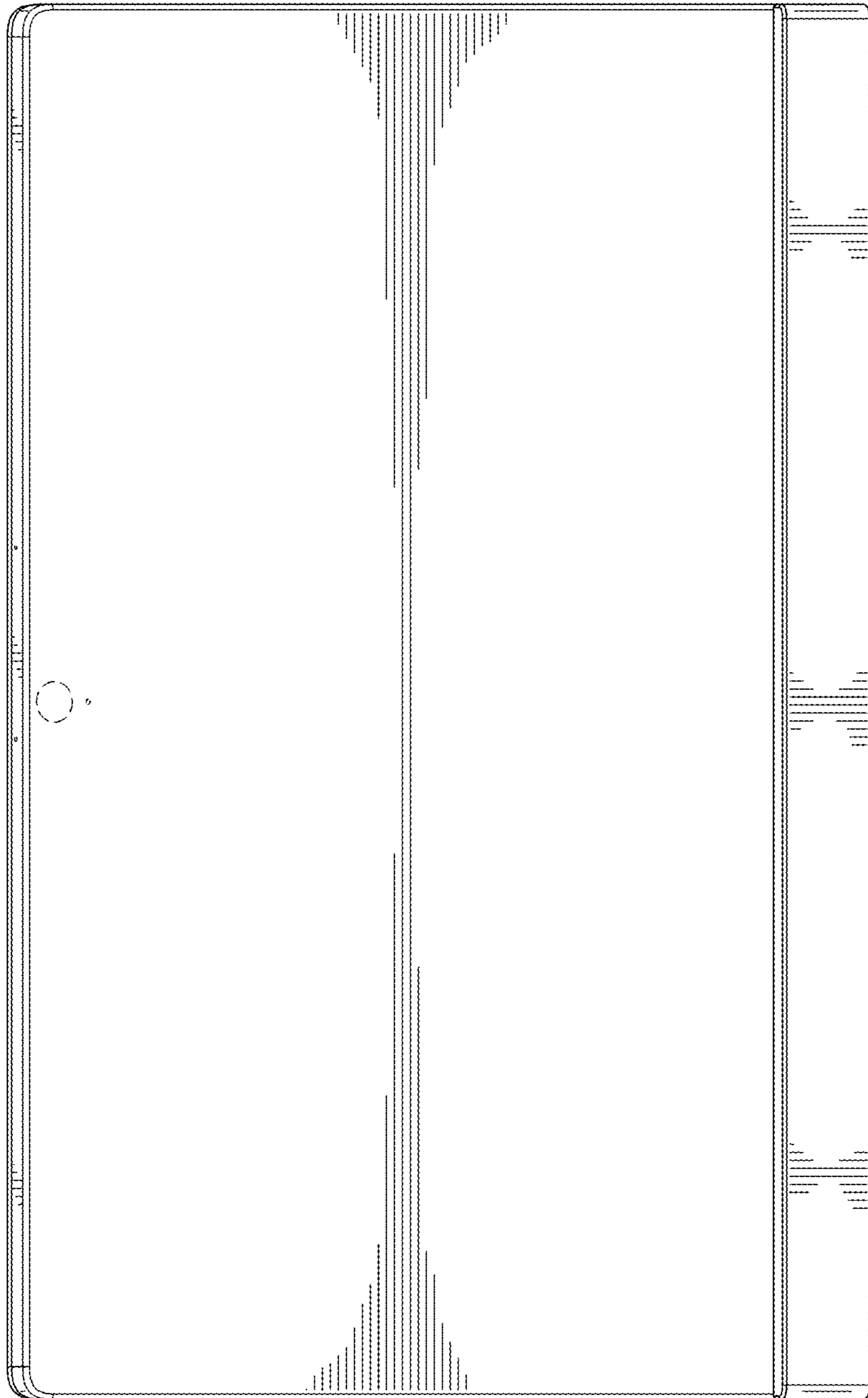


FIG. 3

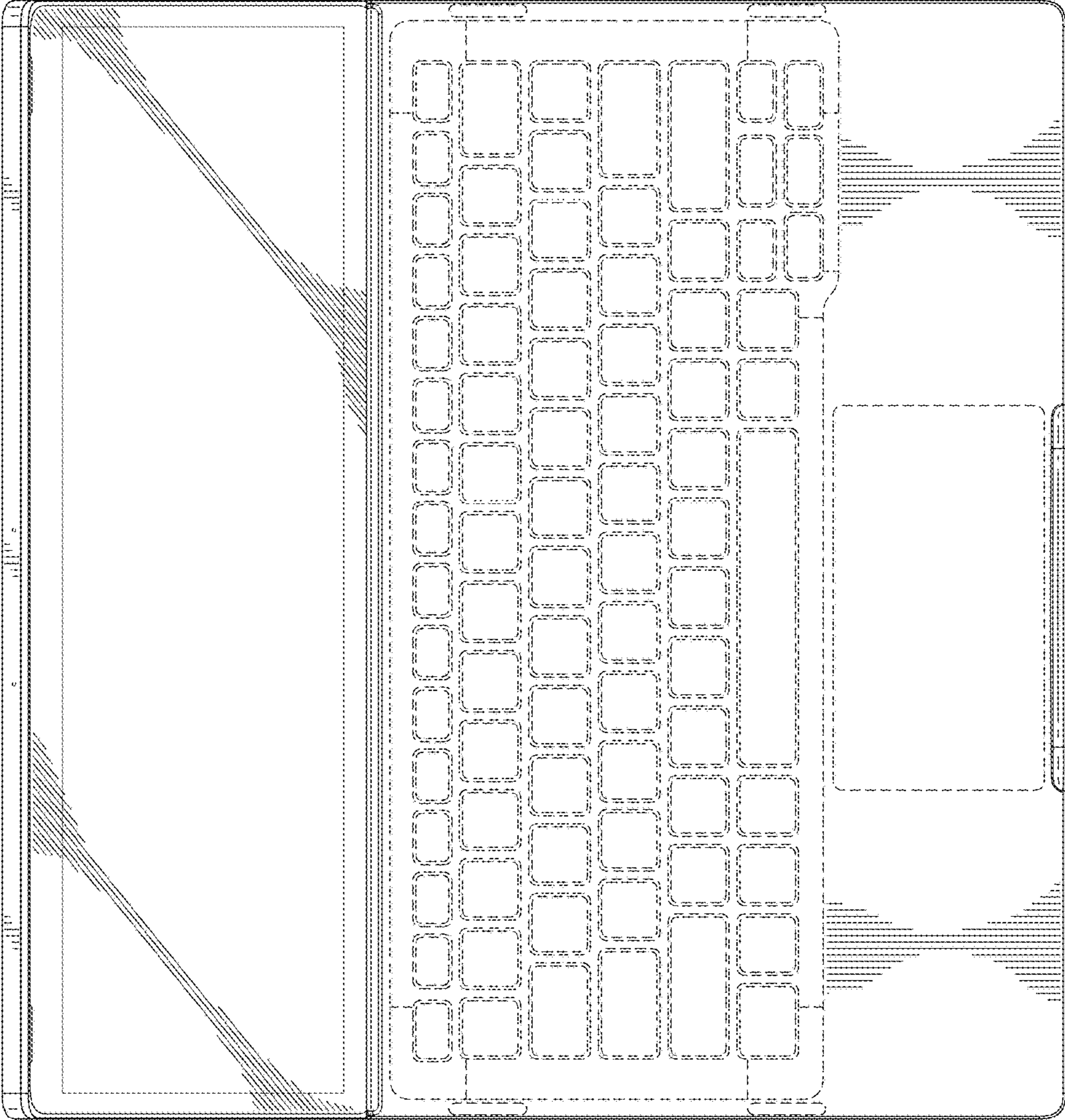


FIG. 4

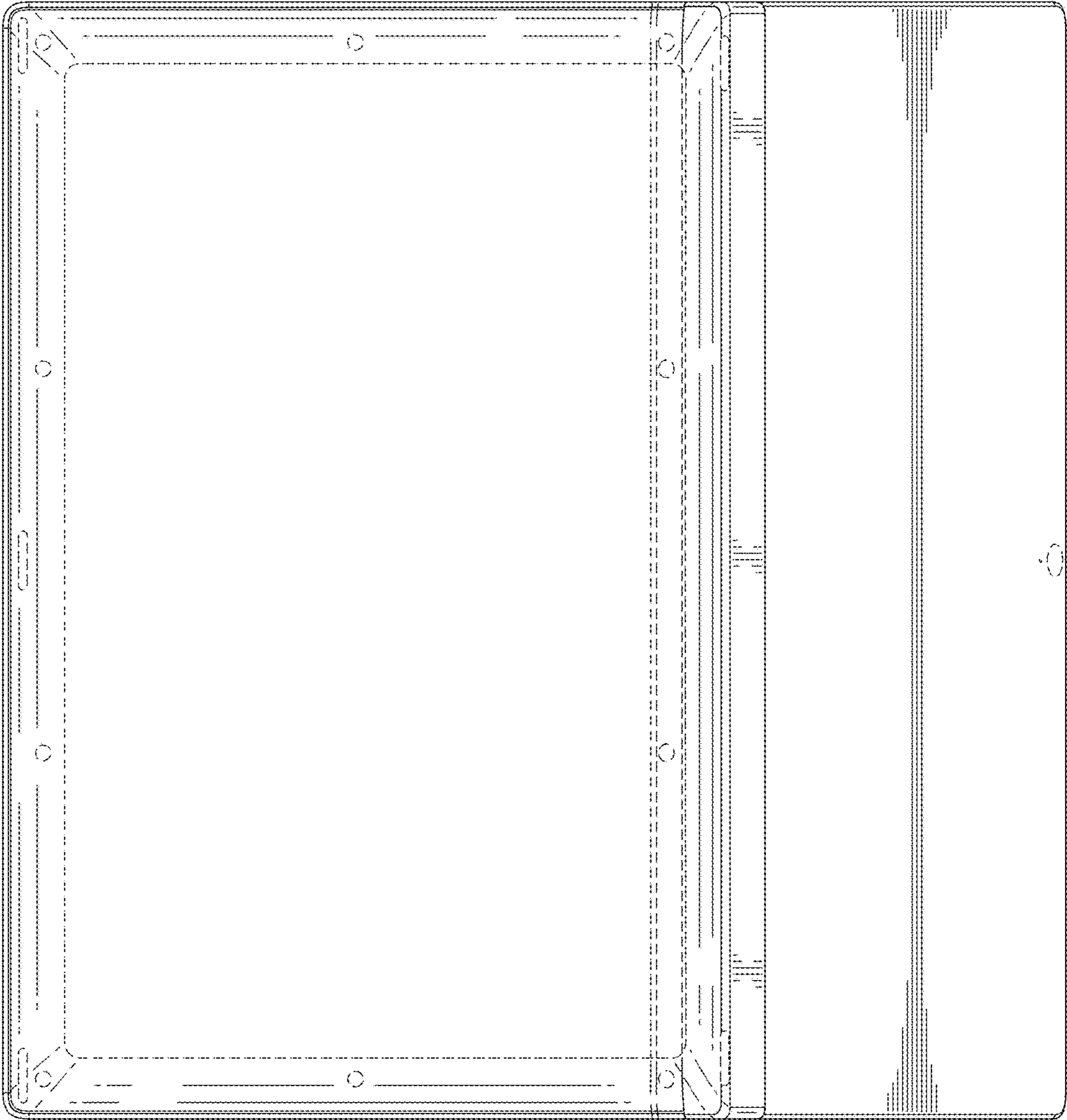


FIG. 5

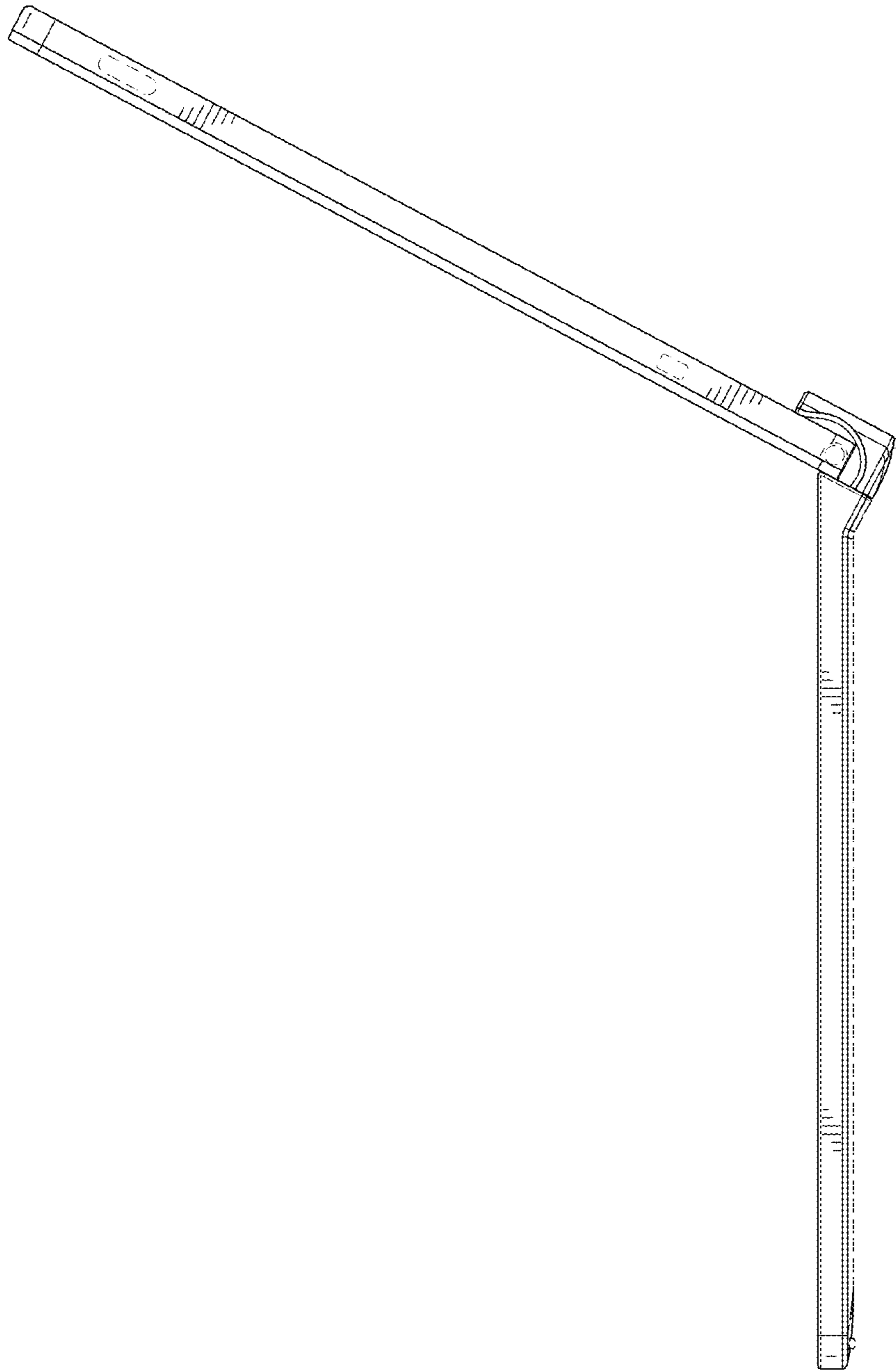


FIG. 6

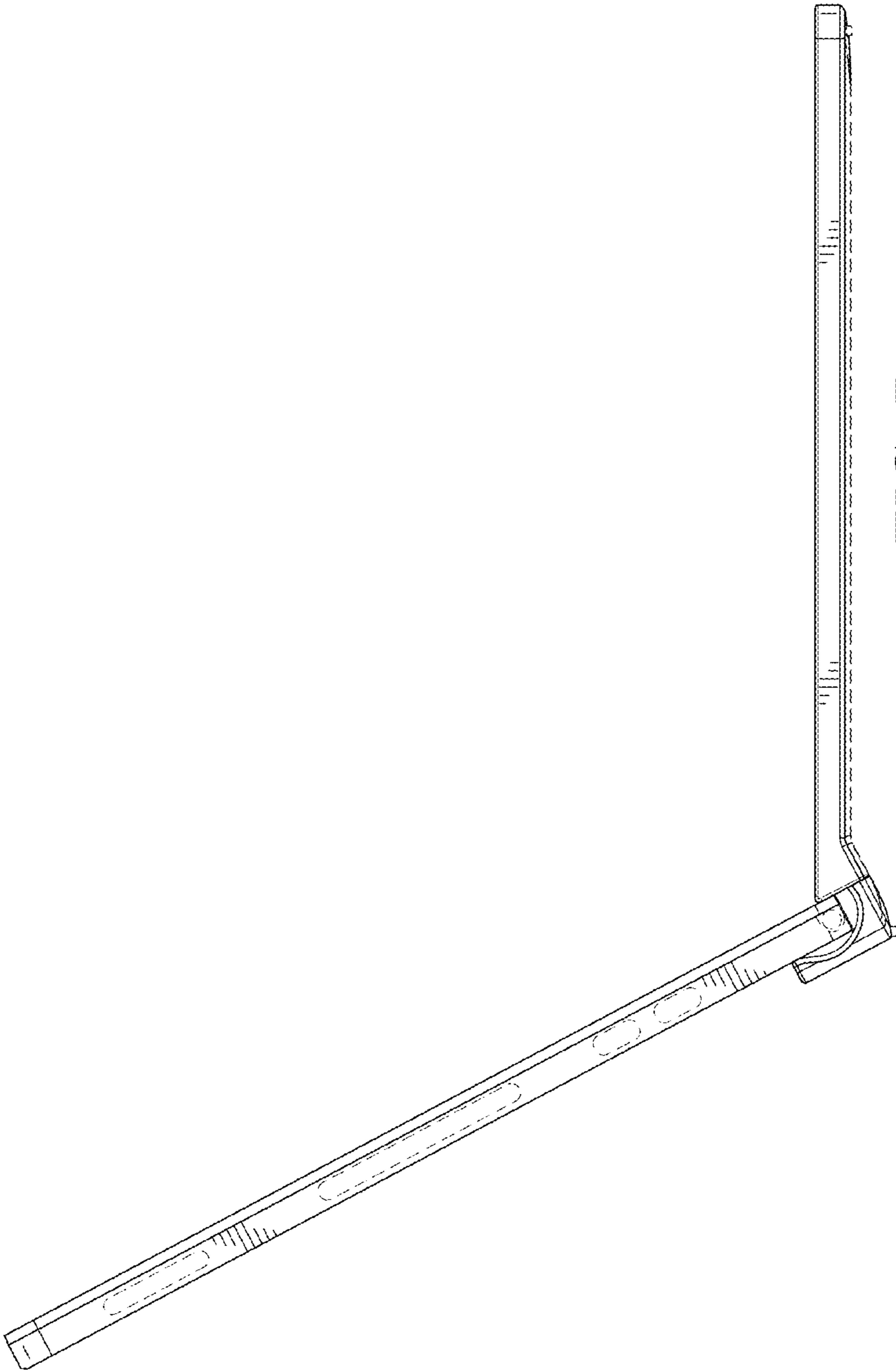


FIG. 7

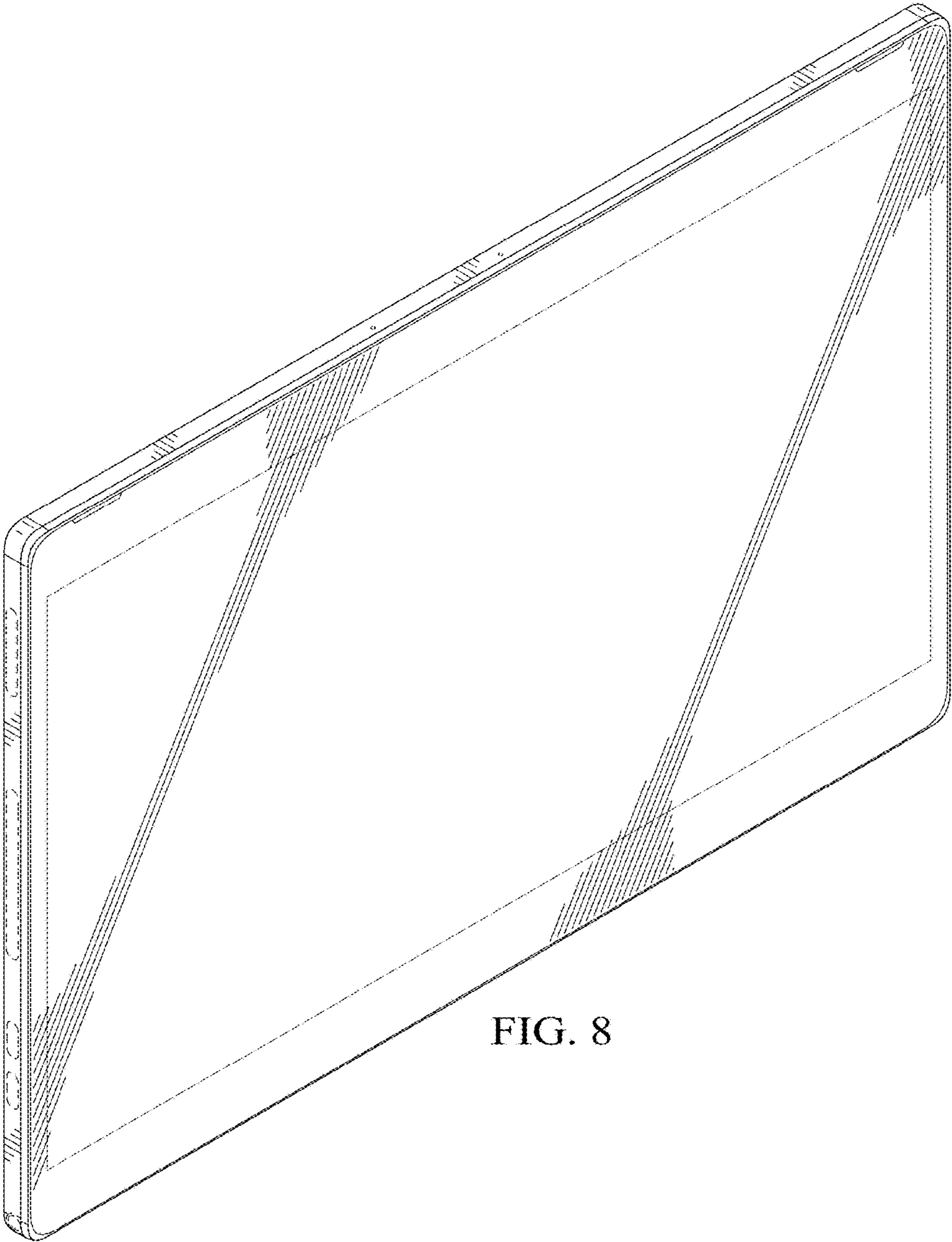


FIG. 8

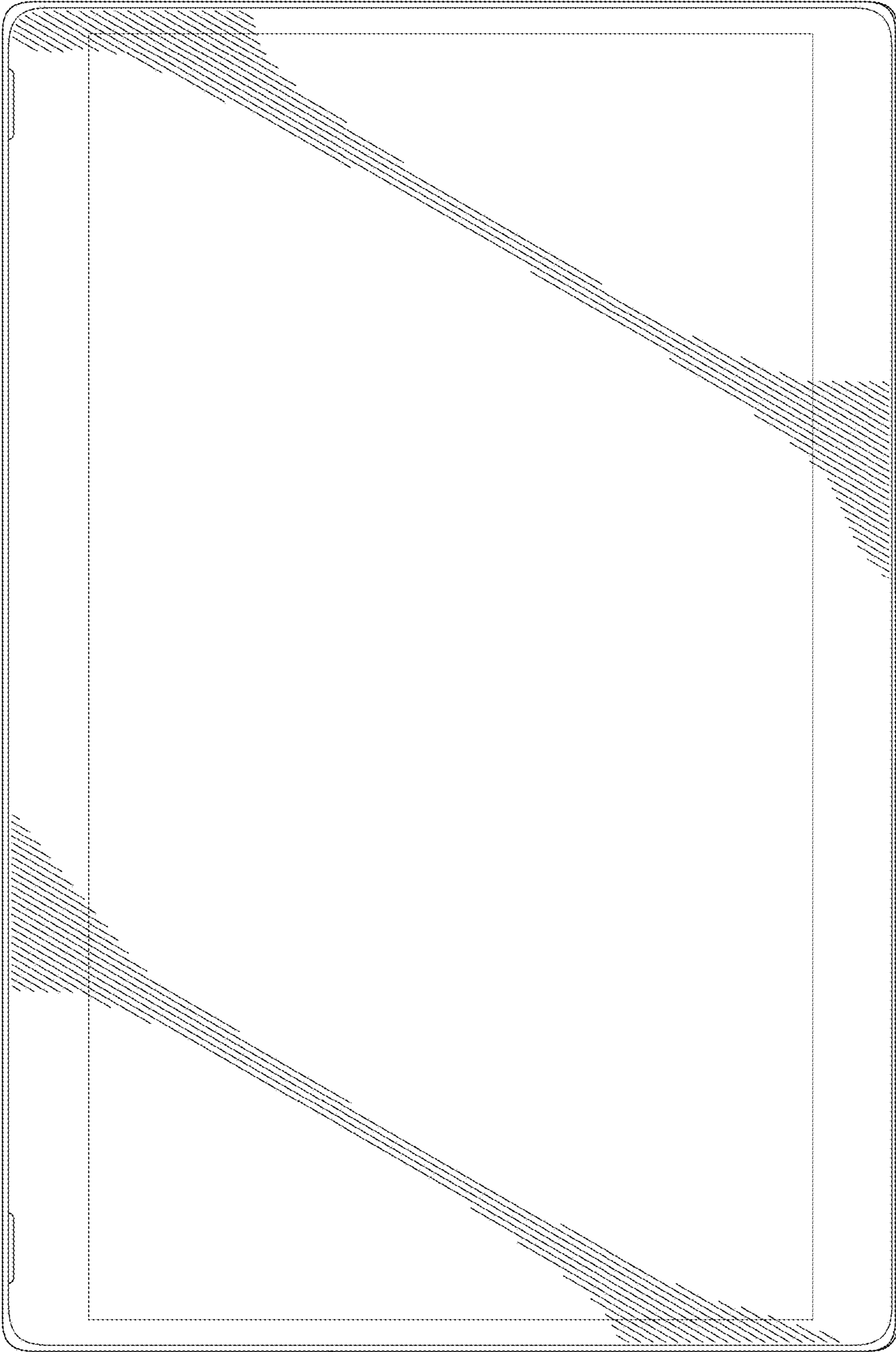


FIG. 9

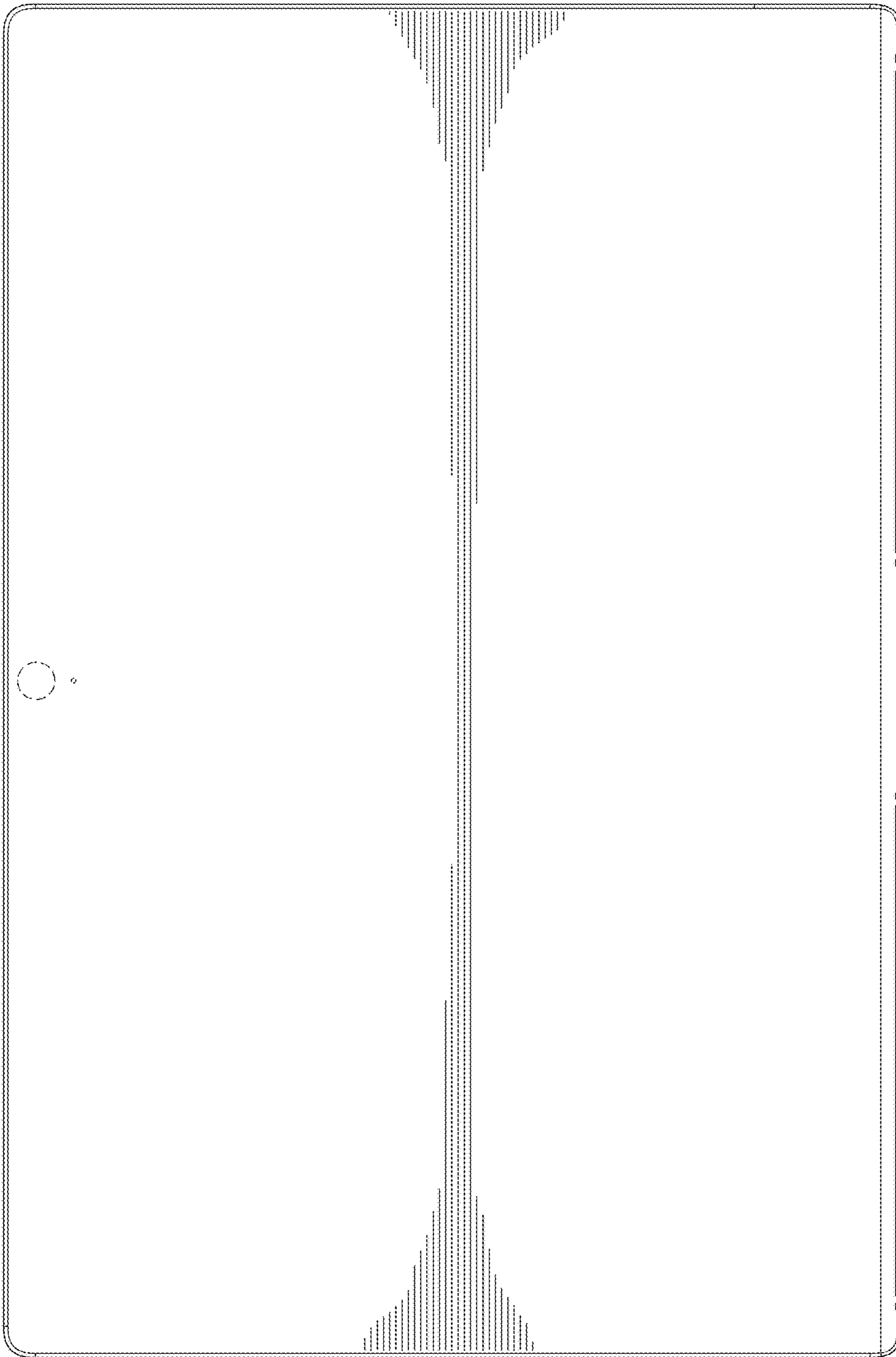


FIG. 10

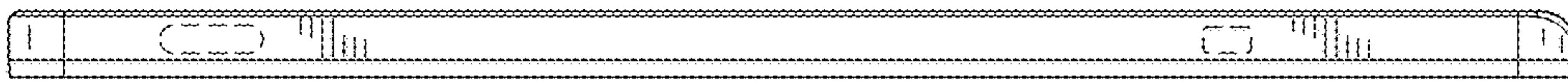


FIG. 12

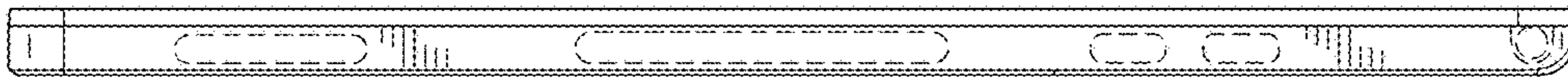


FIG. 11

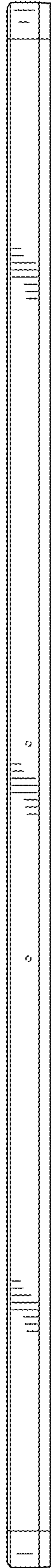


FIG. 13

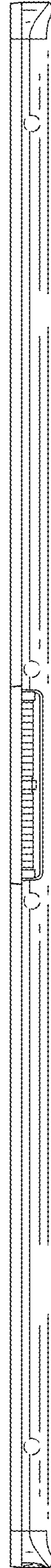


FIG. 14

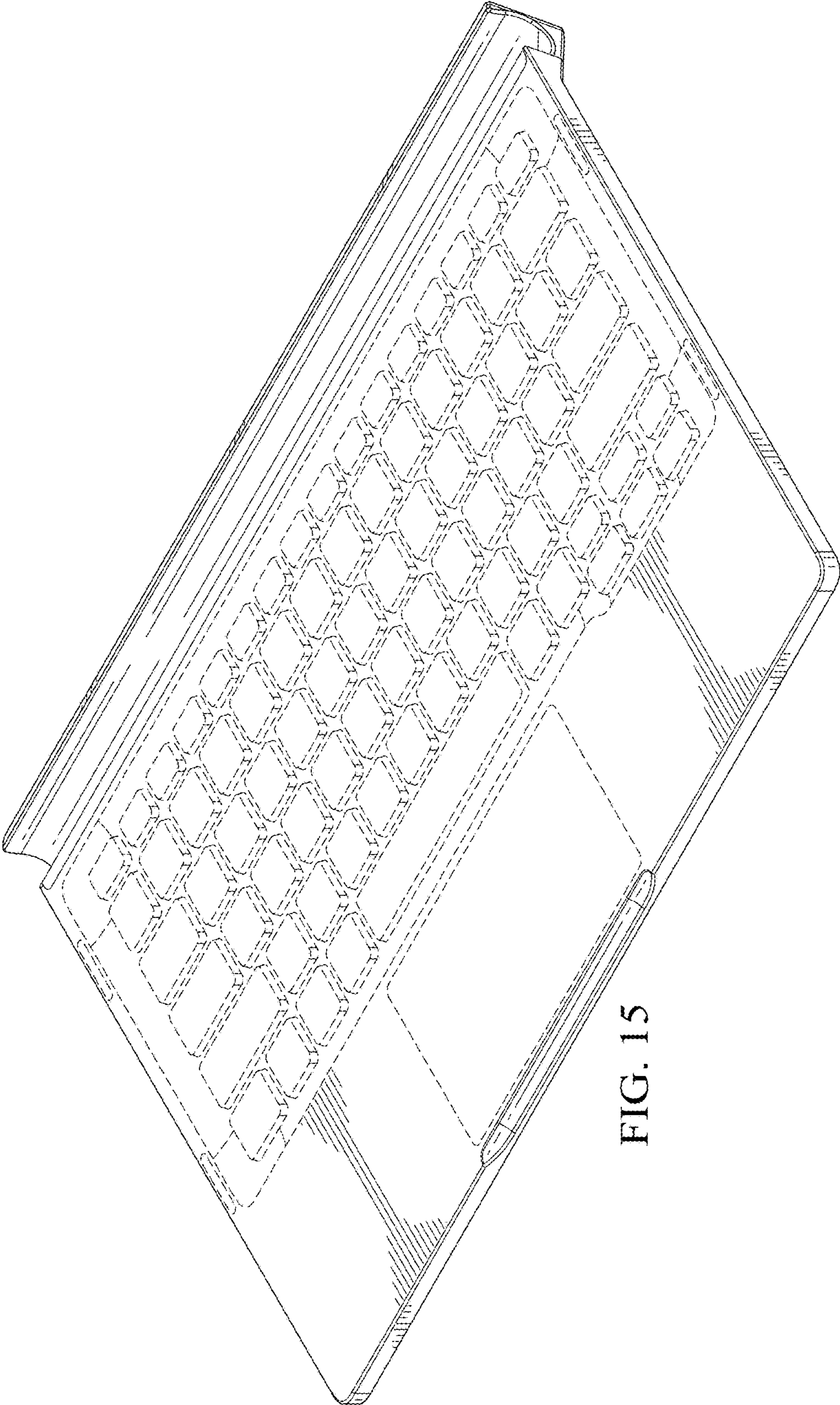


FIG. 15

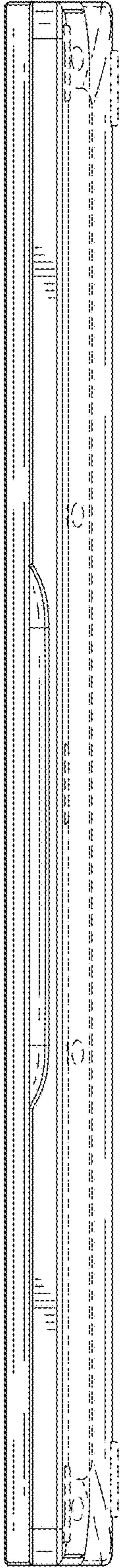


FIG. 16

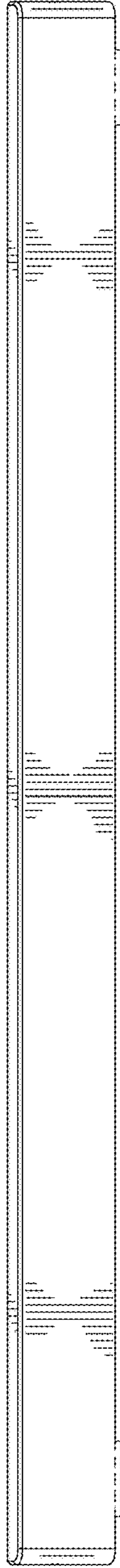


FIG. 17

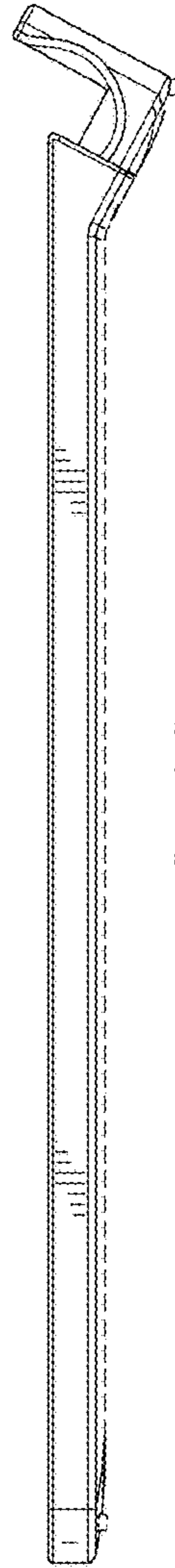


FIG. 18

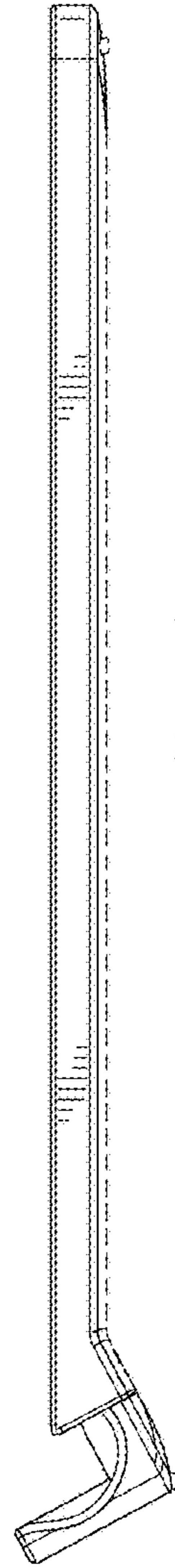


FIG. 19

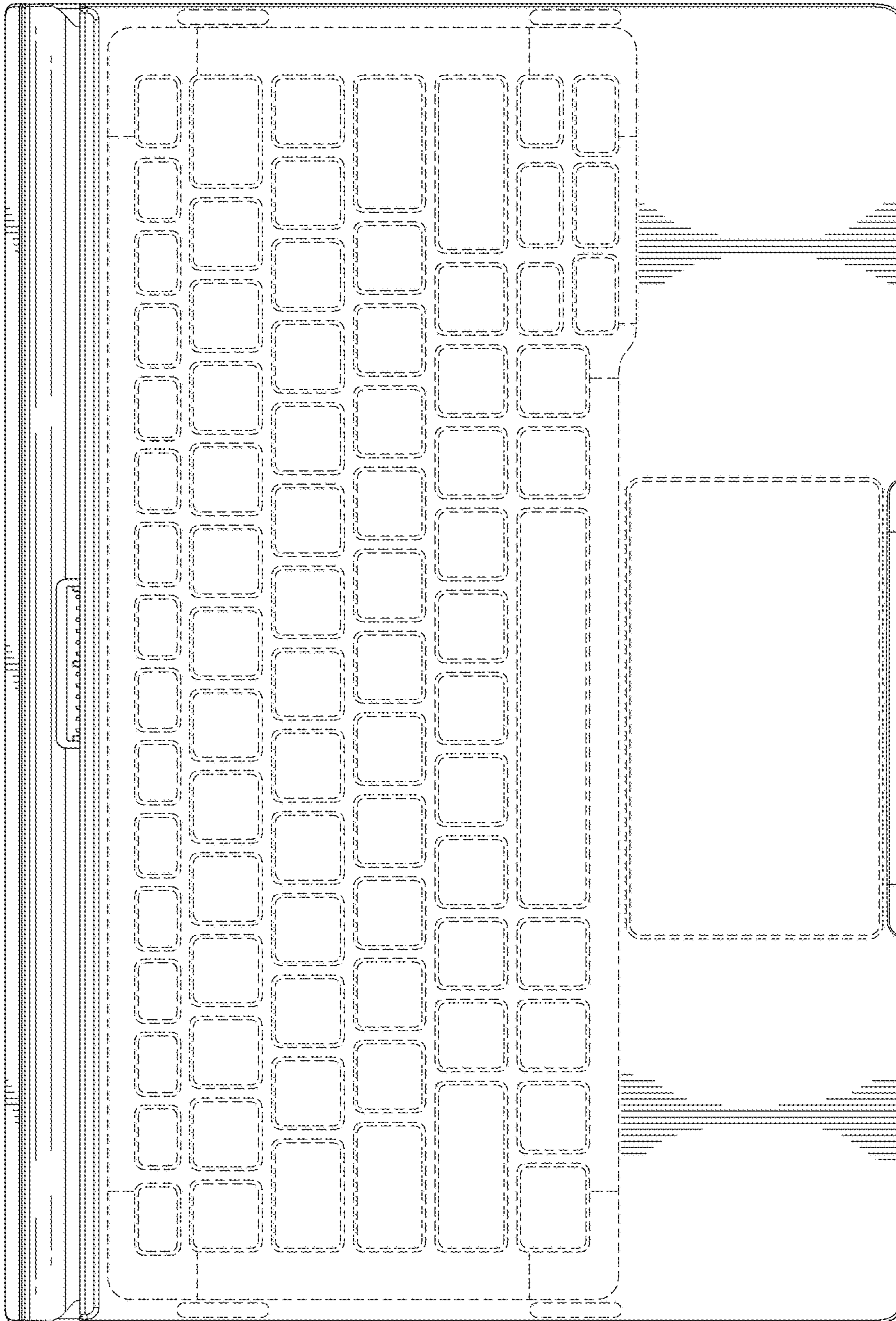


FIG. 20

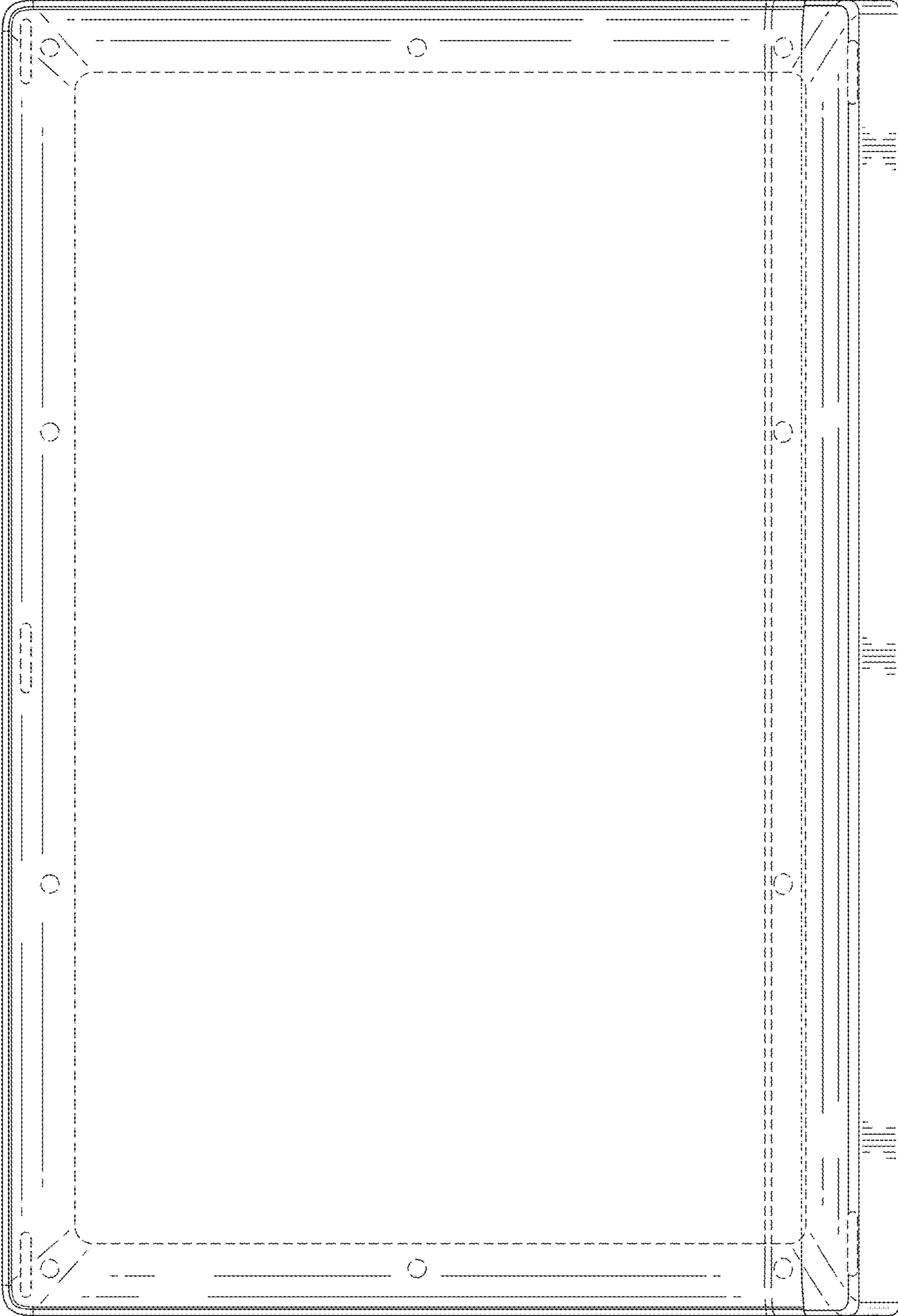


FIG. 21