



US00D781271S

(12) **United States Design Patent**
Glover

(10) **Patent No.:** **US D781,271 S**

(45) **Date of Patent:** **** *Mar. 14, 2017**

- (54) **WIRELESS ACCESS POINT**
- (71) Applicant: **Tembo Systems, Inc.**, Santa Clara, CA (US)
- (72) Inventor: **Richard John Glover**, Ottawa (CA)
- (73) Assignee: **Tembo Systems, Inc.**, Palo Alto, CA (US)

5,864,467 A *	1/1999	Recchia et al.	361/732
D456,403 S *	4/2002	Witte	D14/355
D463,416 S *	9/2002	Tomino et al.	D14/240
D580,933 S *	11/2008	Ju et al.	D14/358
D583,796 S *	12/2008	Tanaka	D14/155
D669,059 S *	10/2012	Huang	D14/240
D669,455 S *	10/2012	Huang	D14/240
D693,798 S *	11/2013	Chuang et al.	D14/240
D705,762 S *	5/2014	Yu	D14/240
D718,288 S *	11/2014	Wang	D14/240
D718,752 S *	12/2014	Wang	D14/240

(*) Notice: This patent is subject to a terminal disclaimer.

* cited by examiner

(**) Term: **14 Years**

Primary Examiner — Bridget L Eland

(74) *Attorney, Agent, or Firm* — Fish & Richardson P.C.

(21) Appl. No.: **29/470,258**

(57) **CLAIM**

The ornamental design for a wireless access point, as shown and described.

(22) Filed: **Oct. 18, 2013**

(51) **LOC (10) Cl.** **14-03**

(52) **U.S. Cl.**

USPC **D14/240**

(58) **Field of Classification Search**

USPC D14/240, 242, 357, 358, 140-140.9, 155, D14/137, 139, 243, 433

CPC H04L 12/00; H03K 17/00; H04W 88/00; H04W 88/005; H04W 88/02; H04W 88/08; H04W 88/085; H04W 88/10;

H04W 88/12; H04W 88/14; H04B 1/38

See application file for complete search history.

DESCRIPTION

FIG. 1 is a perspective view of a wireless access point showing my design;

FIG. 2 is a right-side view thereof;

FIG. 3 is a top view thereof;

FIG. 4 is a first end view thereof;

FIG. 5 is a second end view thereof;

FIG. 6 is a bottom view thereof; and,

FIG. 7 is a left-side view thereof.

The broken lines consistently shown through the views and immediately adjacent the shaded areas represent the bounds of the claimed design while all other broken lines are directed to environment; the broken lines form no part of the claimed design.

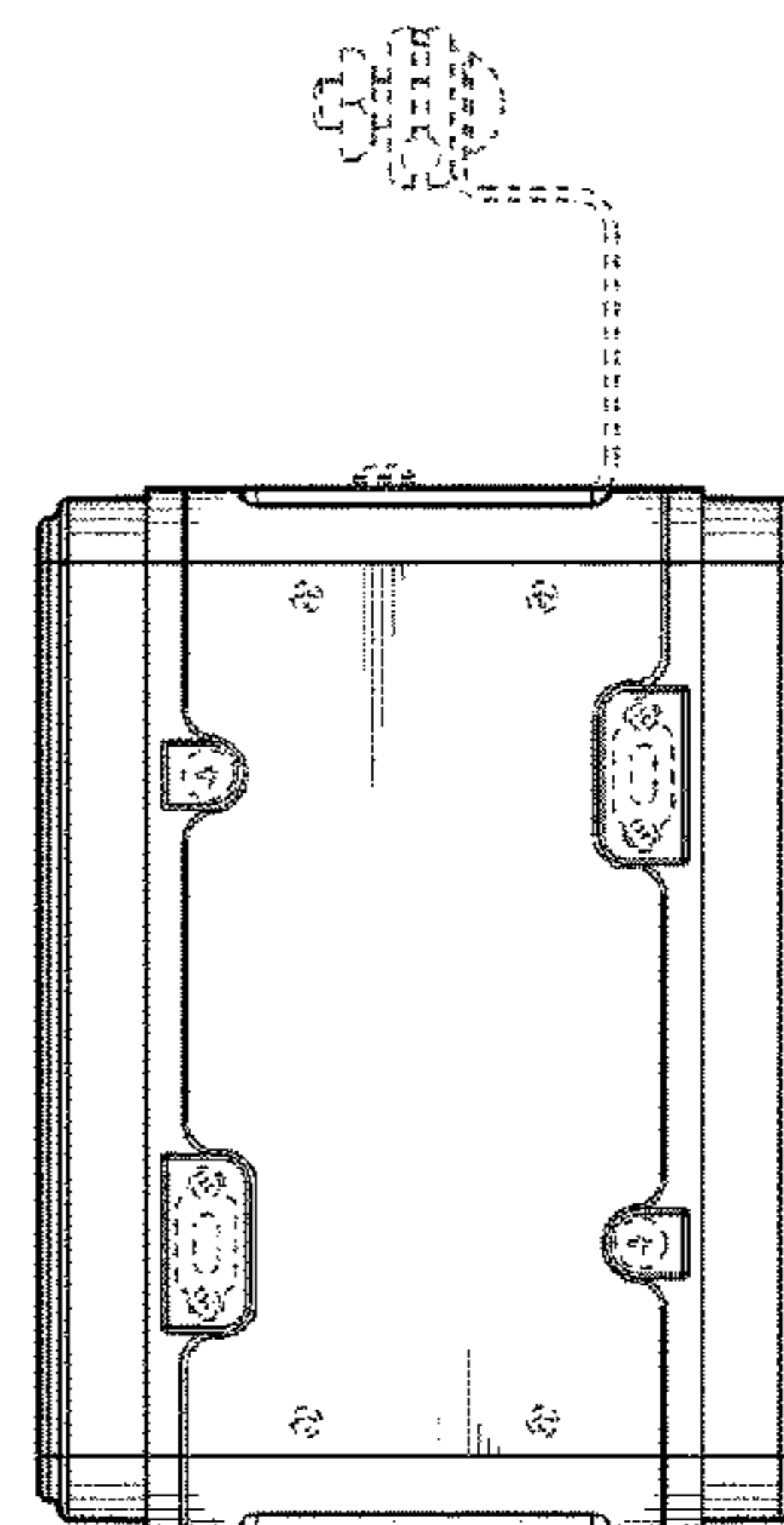
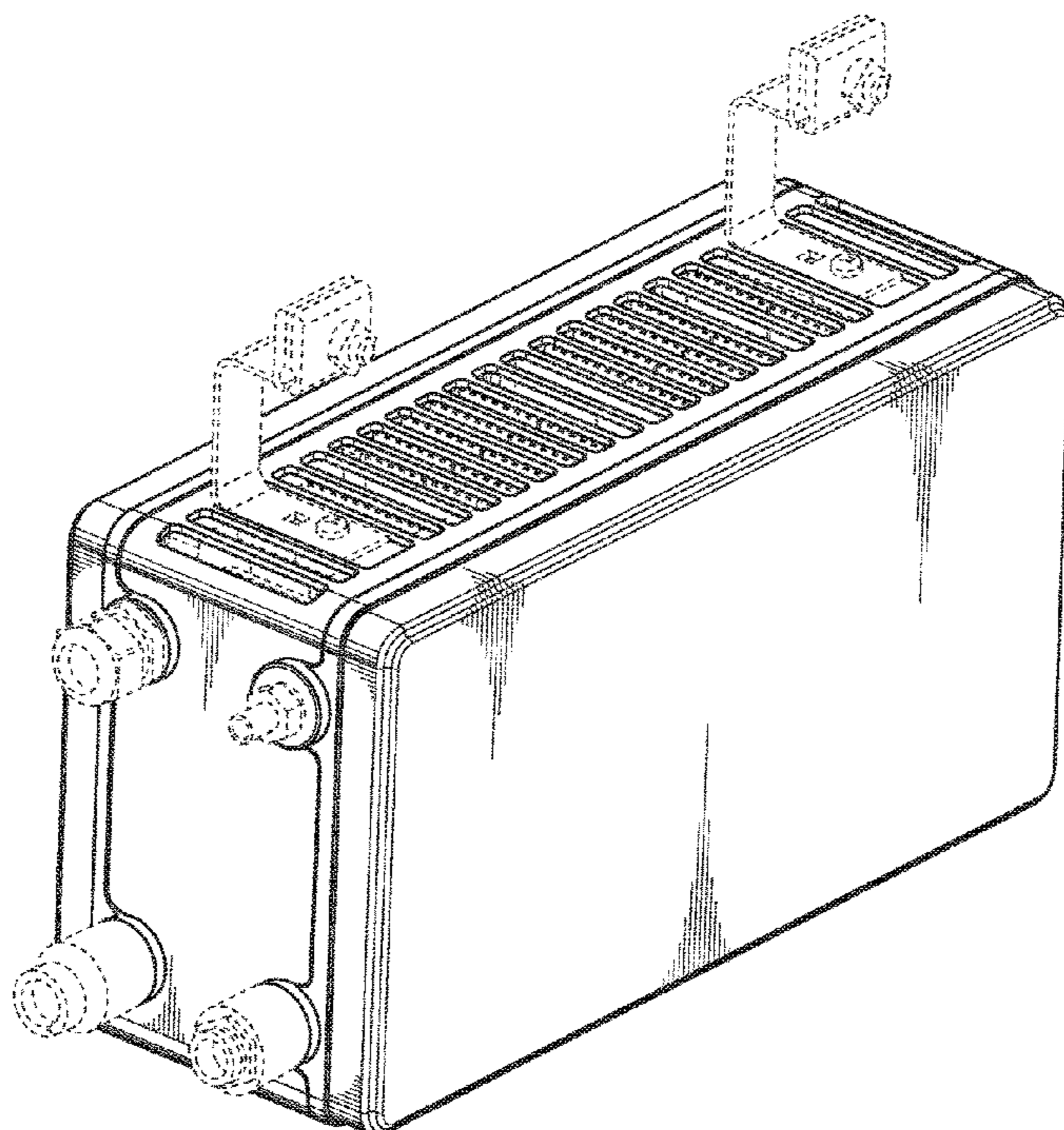
(56) **References Cited**

U.S. PATENT DOCUMENTS

D282,654 S * 2/1986 Perry et al. D14/240

D390,235 S * 2/1998 Tucker et al. D14/240

1 Claim, 4 Drawing Sheets



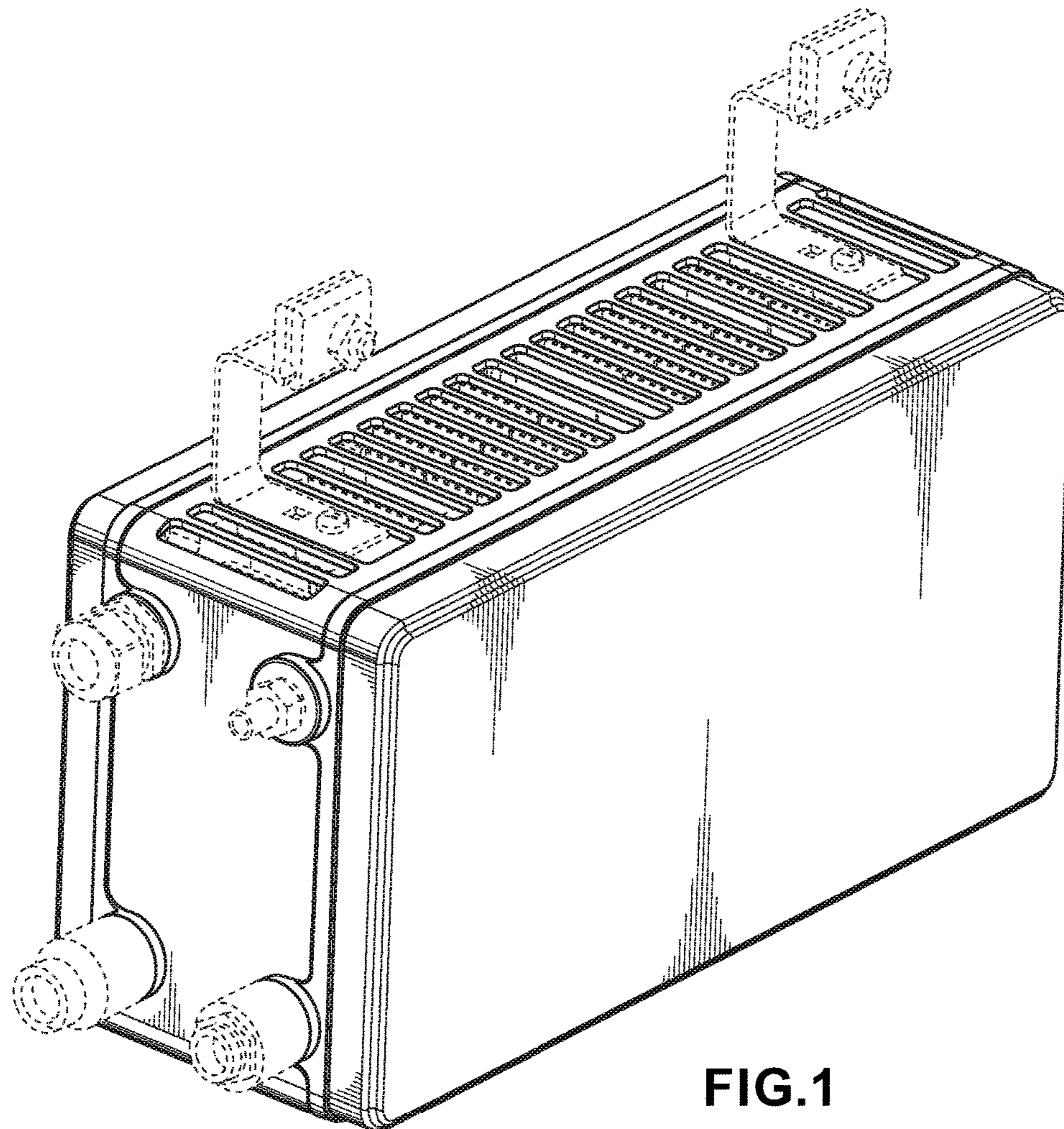


FIG.1

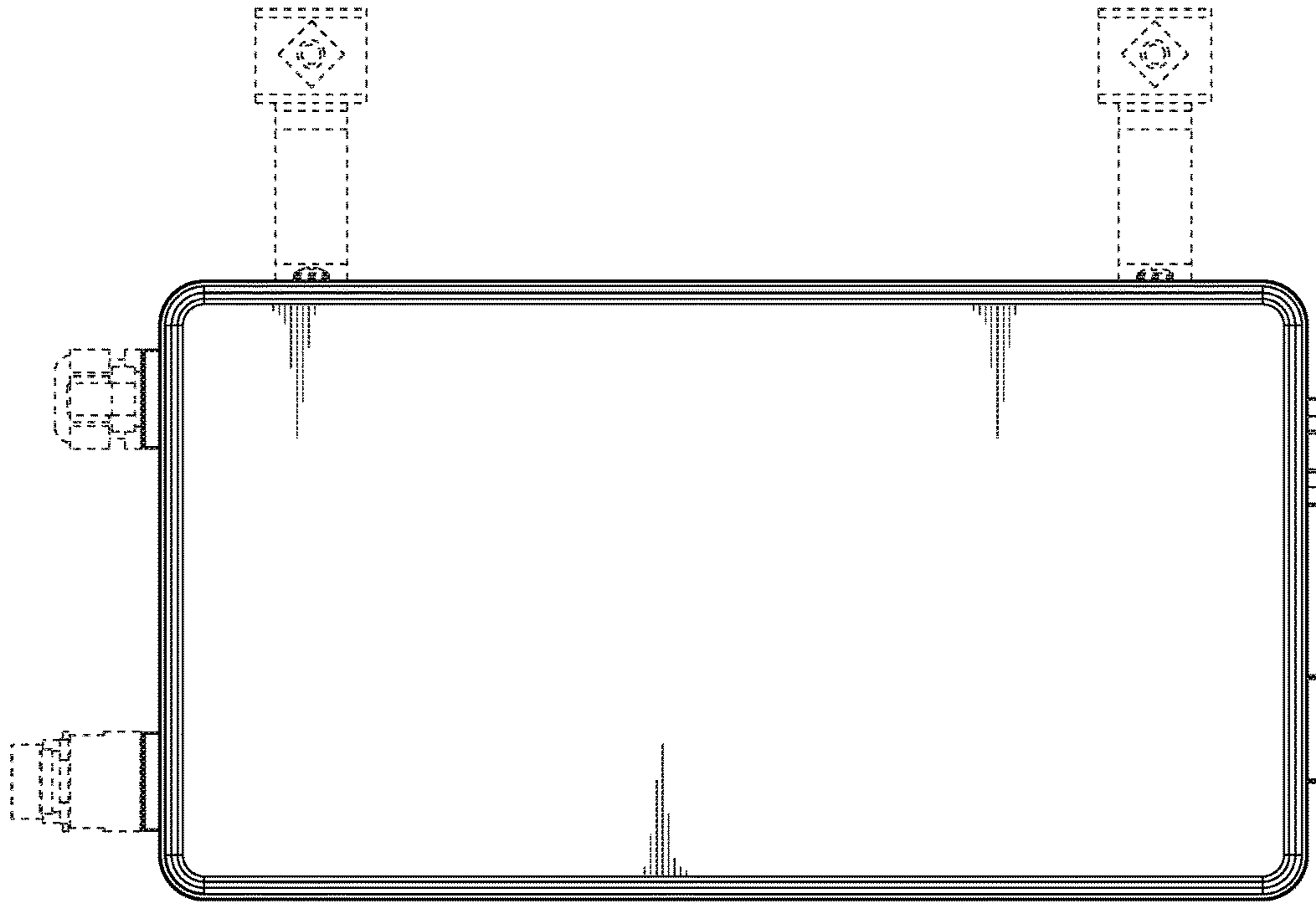


FIG. 2

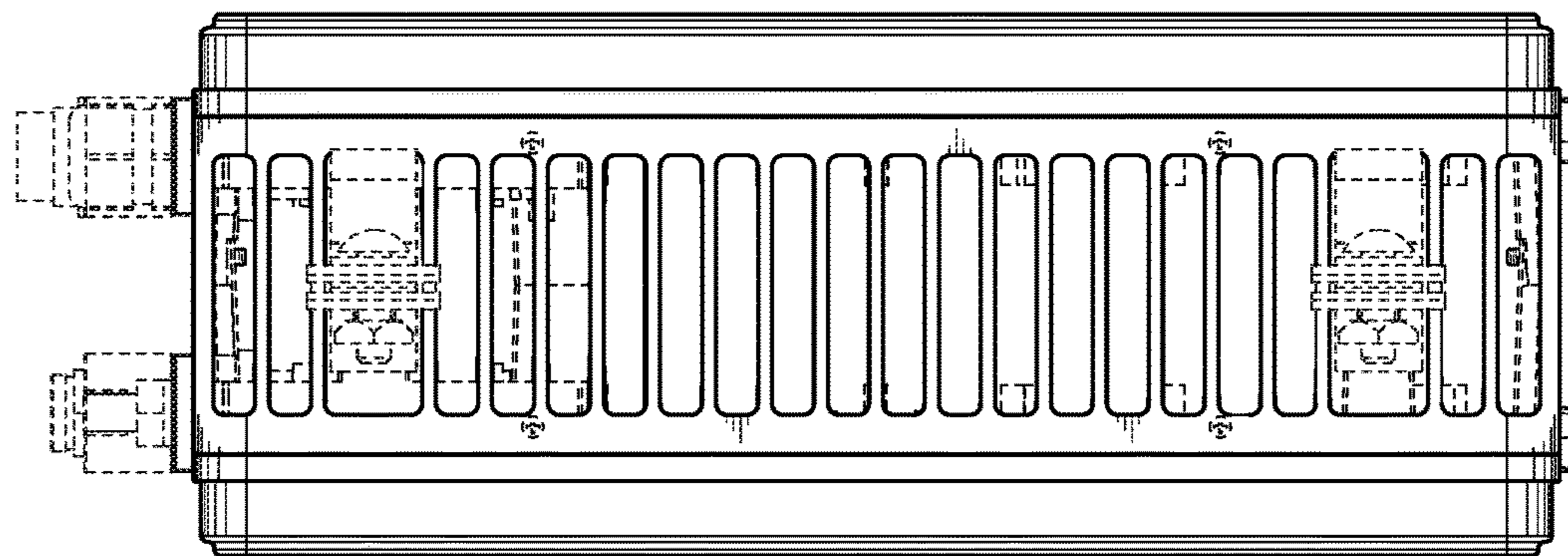


FIG. 3

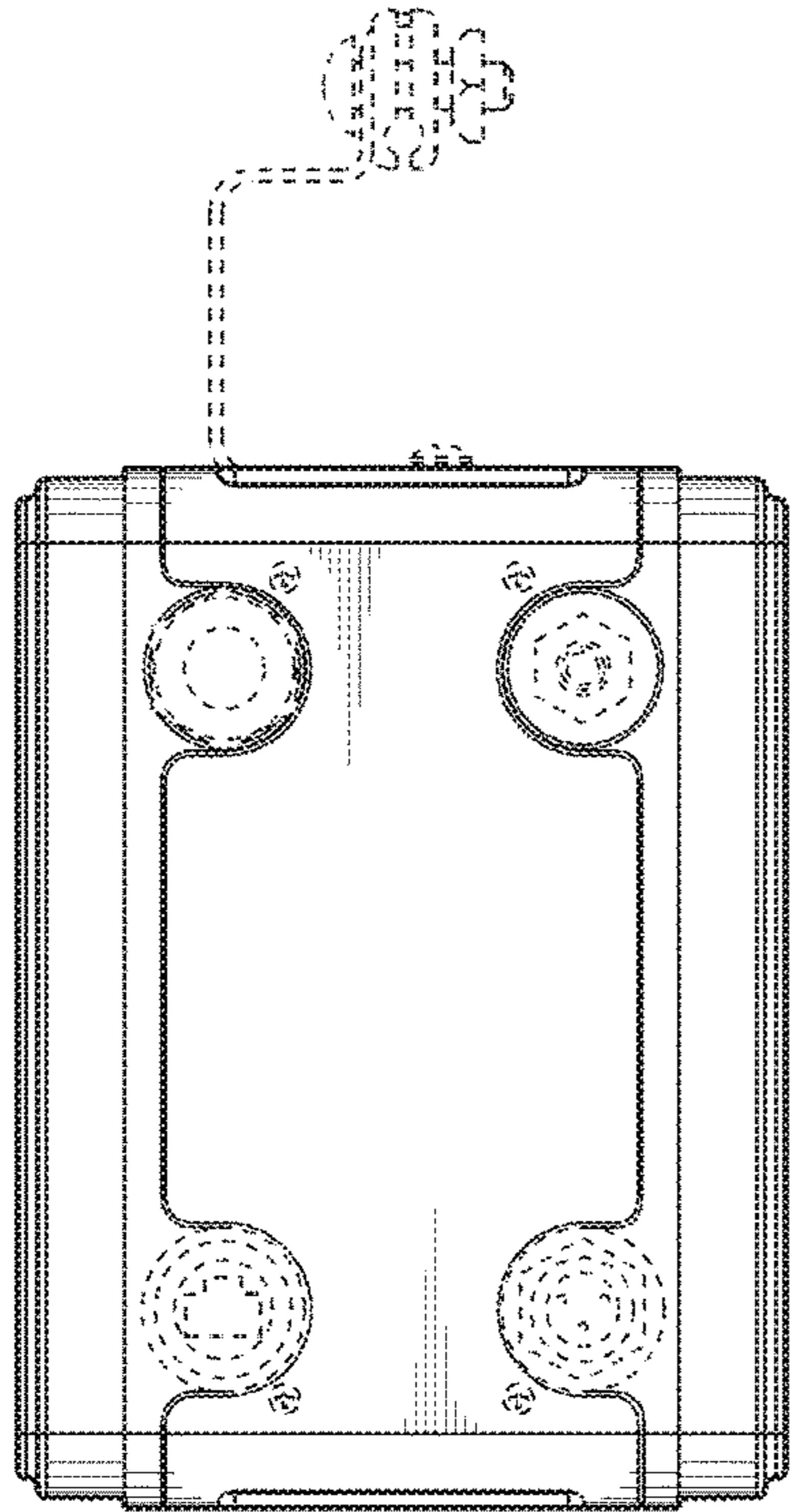


FIG. 4

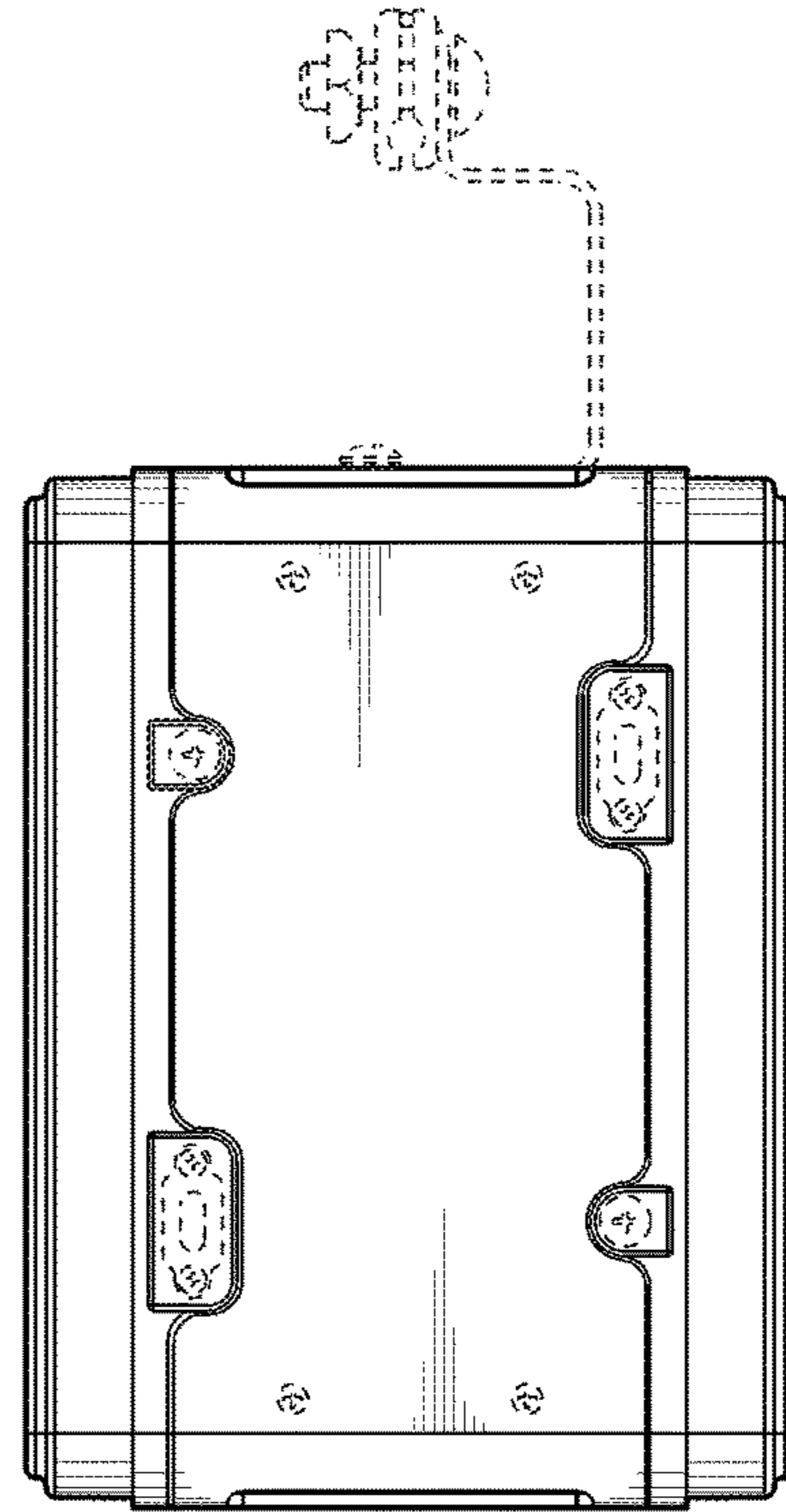


FIG. 5

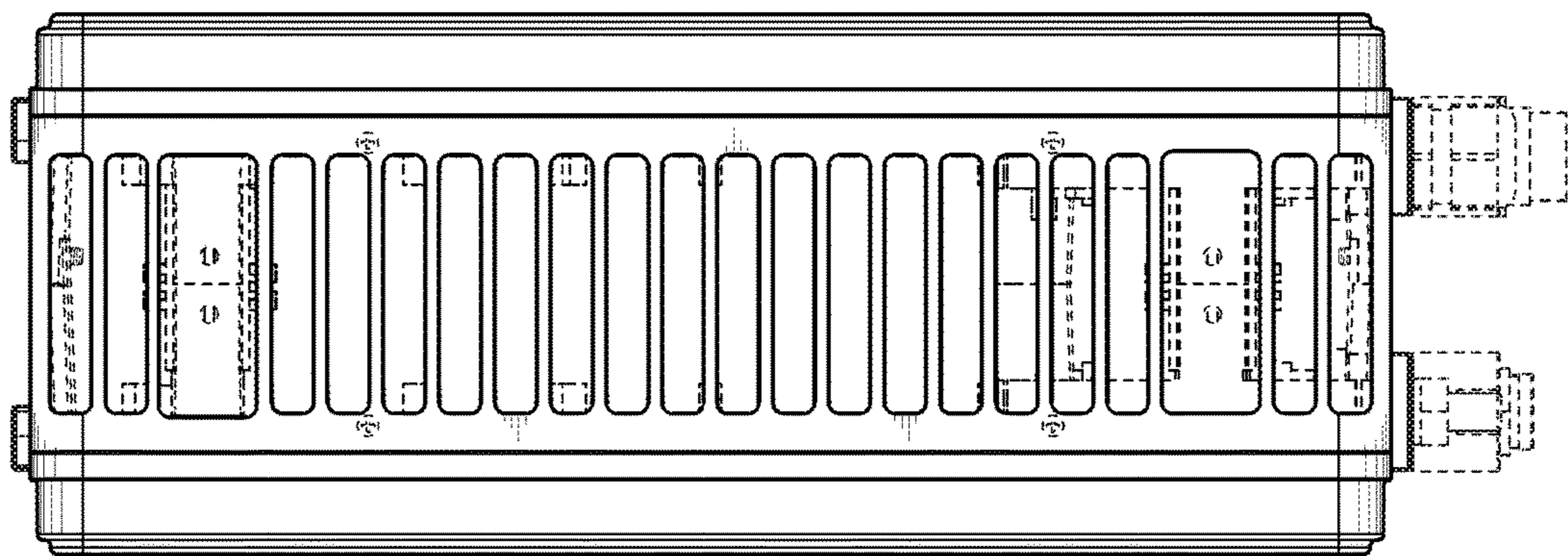


FIG. 6

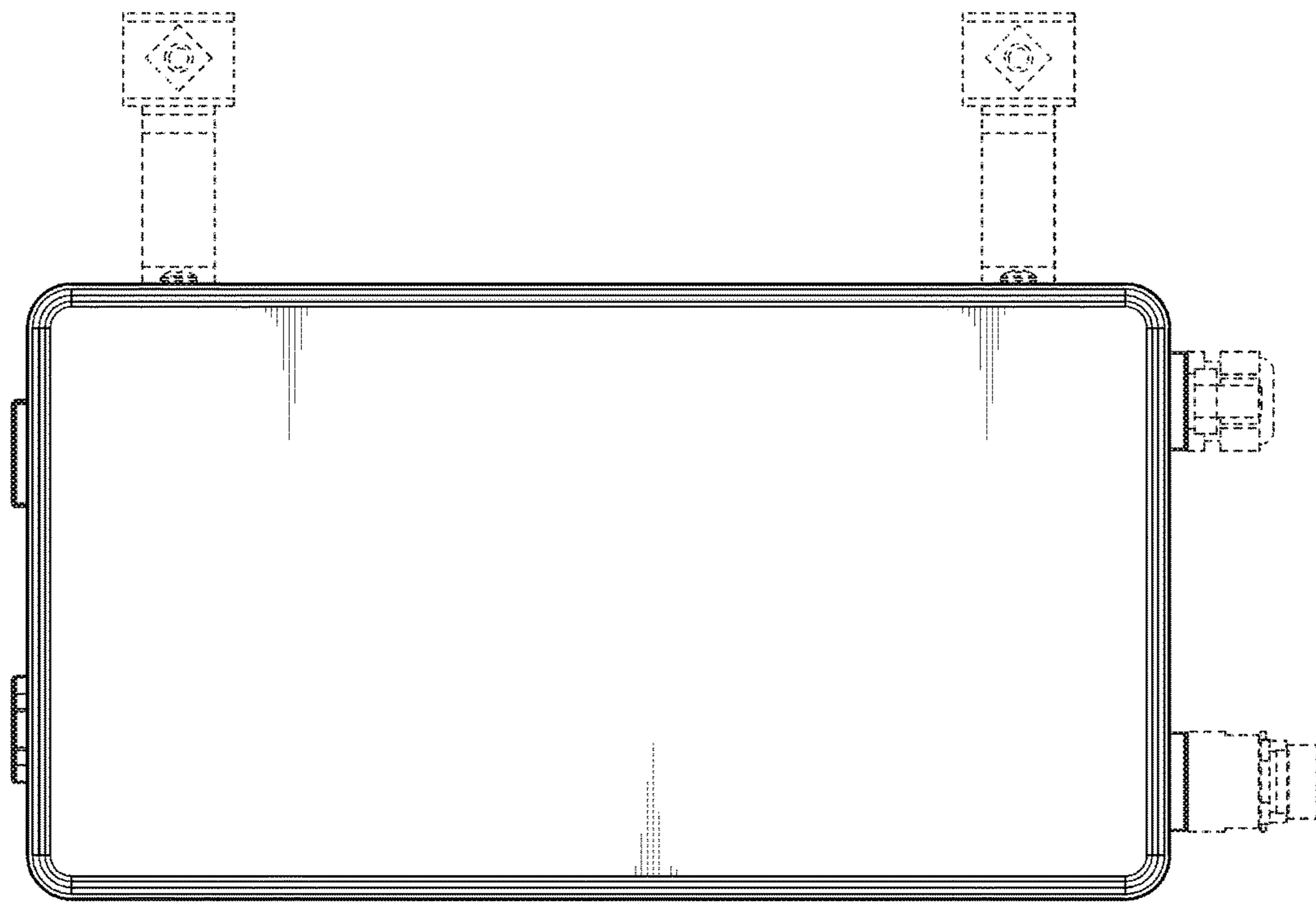


FIG.7