



US00D781269S

(12) **United States Design Patent**
Choe et al.

(10) **Patent No.:** **US D781,269 S**
(45) **Date of Patent:** **** Mar. 14, 2017**

- (54) **WIRELESS HEADSET**
- (71) Applicant: **LG ELECTRONICS INC.**, Seoul (KR)
- (72) Inventors: **Sharim Choe**, Seoul (KR); **Joonhyung Kim**, Seoul (KR); **Eunseok Choi**, Seoul (KR); **Kyubong Choi**, Seoul (KR)
- (73) Assignee: **LG ELECTRONICS INC.**, Seoul (KR)
- (**) Term: **15 Years**
- (21) Appl. No.: **29/535,335**
- (22) Filed: **Aug. 5, 2015**
- (30) **Foreign Application Priority Data**
Feb. 6, 2015 (KR) 30-2015-00006604
- (51) **LOC (10) Cl.** **14-01**
- (52) **U.S. Cl.**
USPC **D14/223**
- (58) **Field of Classification Search**
USPC D14/223, 205, 188, 192; 181/129, 130, 181/135; 379/430, 431; 381/380, 381, 381/151; 455/90.1, 575.1
CPC H04R 1/10; H04R 25/00
See application file for complete search history.

- (56) **References Cited**
U.S. PATENT DOCUMENTS
281,000 A * 7/1883 Batchelor H04R 1/1066
381/330
1,668,890 A * 5/1928 Curran H04R 1/1016
181/130
1,893,143 A * 1/1933 Koch H04R 25/60
181/135

- 1,953,437 A * 4/1934 Schier A61F 11/00
128/864
- 2,078,385 A * 4/1937 Tooru H04R 25/48
181/130
- 2,248,837 A * 7/1941 Walters H04R 25/652
181/130
- 2,363,175 A * 11/1944 Grossman H04R 25/48
181/132
- 2,430,229 A * 11/1947 Kelsey H04R 1/1058
181/130

(Continued)

Primary Examiner — Paula Greene
(74) *Attorney, Agent, or Firm* — Birch, Stewart, Kolasch & Birch, LLP

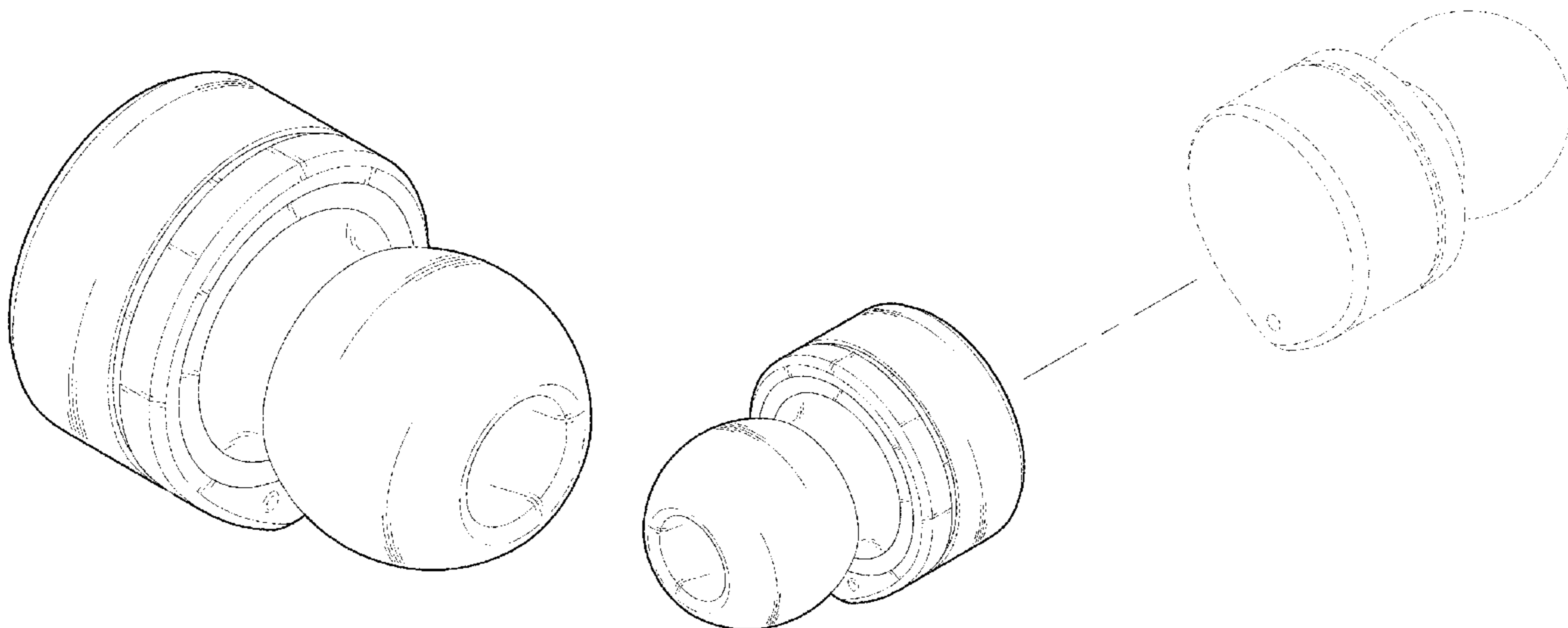
(57) **CLAIM**

The ornamental design for a wireless headset, as shown and described.

DESCRIPTION

FIG. 1 is a perspective view of the wireless headset showing our new design;
 FIG. 2 is a front view thereof where the rear view is a mirror image;
 FIG. 3 is a left side view thereof;
 FIG. 4 is a right side view thereof;
 FIG. 5 is a top plan view thereof;
 FIG. 6 is a bottom plan view thereof;
 FIG. 7 is a reference view thereof showing the state that the another earset is being attached to subject design by magnetism;
 FIG. 8 is a reference view thereof showing the state that two earsets are attached to each other by magnetism; and,
 FIG. 9 is a reference view thereof showing an example of the usage of the subject design.
 The broken lines depict portions of the wireless headset that form no part of the claimed design.

1 Claim, 9 Drawing Sheets



(56)

References Cited

U.S. PATENT DOCUMENTS

2,477,046 A * 7/1949 Davenport H04R 25/65
381/313
2,971,065 A * 2/1961 Busse H04R 25/456
381/104
3,324,253 A * 6/1967 Masahiko H04R 11/06
381/189
3,440,365 A * 4/1969 Hazell H04M 1/05
379/430
3,865,998 A * 2/1975 Weiss H04R 25/60
381/324
D236,988 S * 9/1975 Walters D14/223
4,069,400 A * 1/1978 Johanson H04R 25/60
381/322
4,133,984 A * 1/1979 Akiyama H04R 25/456
181/135
D259,279 S * 5/1981 Takeda D24/106
4,295,009 A * 10/1981 Weidler H04R 17/00
310/324
D287,280 S * 12/1986 Topholm D24/174
D287,764 S * 1/1987 Topholm D24/174
D287,765 S * 1/1987 Topholm D24/174
4,634,816 A * 1/1987 O'Malley H04M 1/05
379/430
5,054,079 A * 10/1991 Frielingsdorf H04R 1/46
379/430
D435,036 S * 12/2000 Koss D14/223
D457,514 S * 5/2002 Marion D14/223
6,386,314 B1 * 5/2002 Sheehan A61B 5/12
181/129
D468,301 S * 1/2003 Fushimi D14/223
D481,709 S * 11/2003 Solderits D14/223
D505,411 S * 5/2005 Sakai D14/192
D514,094 S * 1/2006 Griffin D14/223
D519,108 S * 4/2006 Yang D14/223

D549,222 S * 8/2007 Huang D14/223
7,356,362 B2 * 4/2008 Chang H04R 1/1033
379/430
D579,006 S * 10/2008 Kim D14/223
D587,681 S * 3/2009 Yanai D14/205
D595,268 S * 6/2009 Kolton D14/205
D603,380 S * 11/2009 Hutchieson D14/223
D621,389 S * 8/2010 Nagayama D14/223
D632,677 S * 2/2011 Brown D14/223
D641,010 S * 7/2011 Kwon D14/223
D652,822 S * 1/2012 Lee D14/223
D654,056 S * 2/2012 Hoggarth D14/205
D660,291 S * 5/2012 Thomas D14/223
D666,581 S * 9/2012 Perez D14/223
8,265,323 B2 * 9/2012 Stiehl B29C 45/0025
381/371
8,275,166 B2 * 9/2012 Wu H04R 25/00
381/328
D668,244 S * 10/2012 Matsumura D14/223
D674,904 S * 1/2013 Aunio D14/223
D698,750 S * 2/2014 Yoon D14/205
D698,761 S * 2/2014 Bao D14/223
D699,226 S * 2/2014 Yoon D14/206
D700,905 S * 3/2014 Pavitsich D14/223
8,776,801 B2 * 7/2014 McIntosh A61F 11/08
128/864
D711,356 S * 8/2014 Yang D14/223
D711,858 S * 8/2014 Yang D14/223
D718,286 S * 11/2014 Yang D14/223
8,983,108 B2 * 3/2015 Ho H04R 1/1016
181/135
D727,871 S * 4/2015 Orbach D14/205
9,055,369 B2 * 6/2015 Yang H04R 1/10
D746,792 S * 1/2016 Kim D14/205
2007/0098201 A1 * 5/2007 Chen H04R 1/1016
381/380

* cited by examiner

FIG. 1

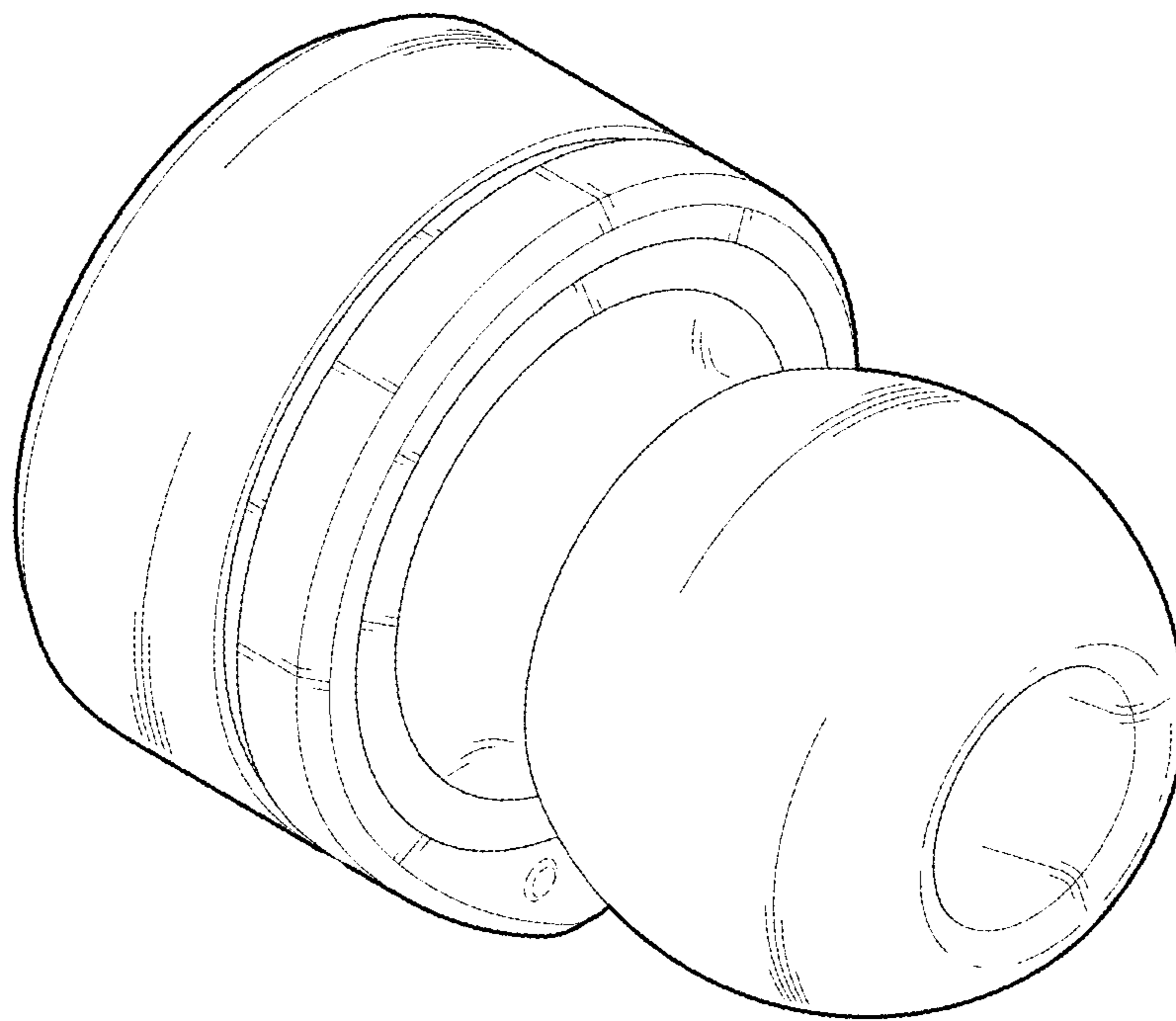


FIG. 2

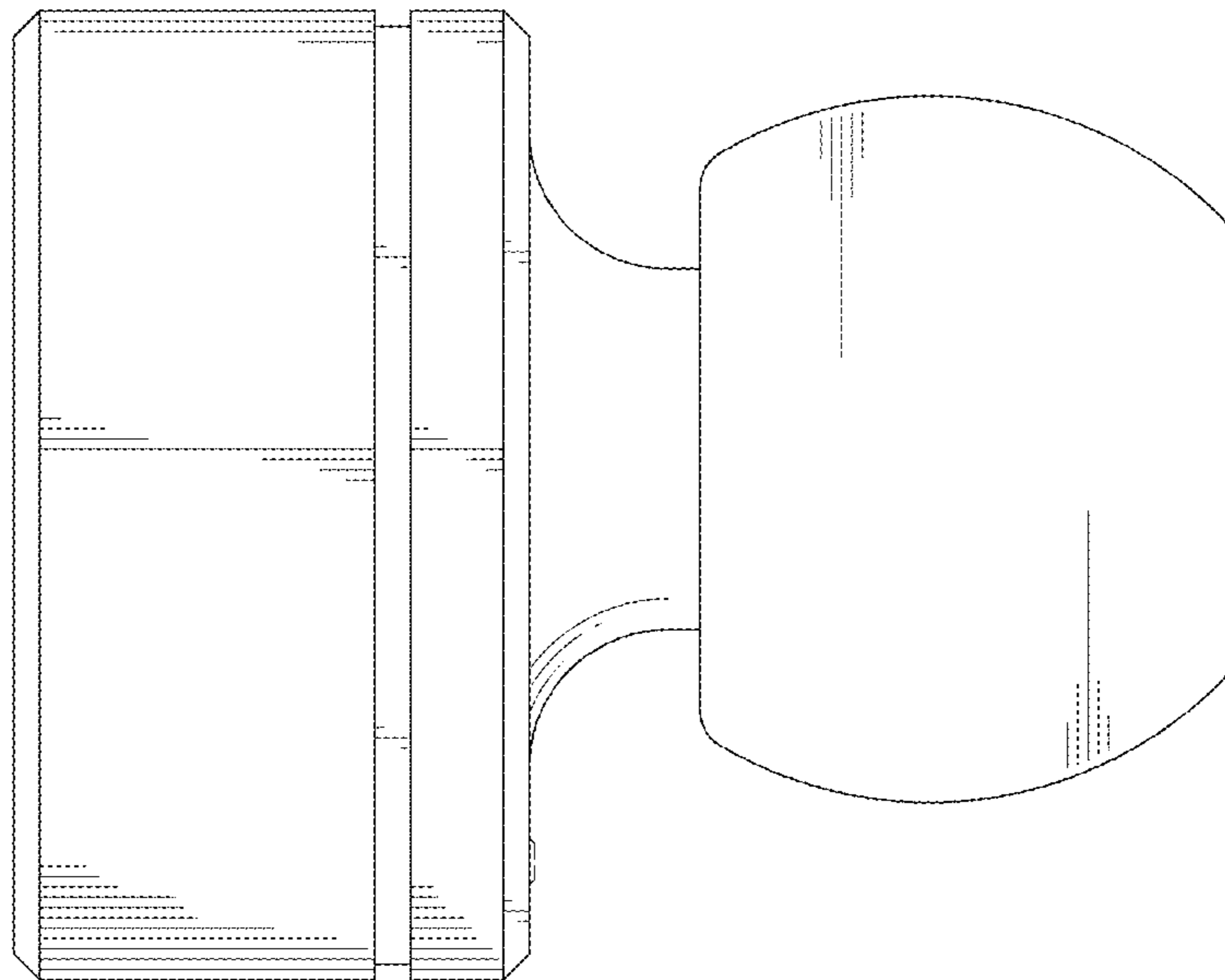


FIG. 3

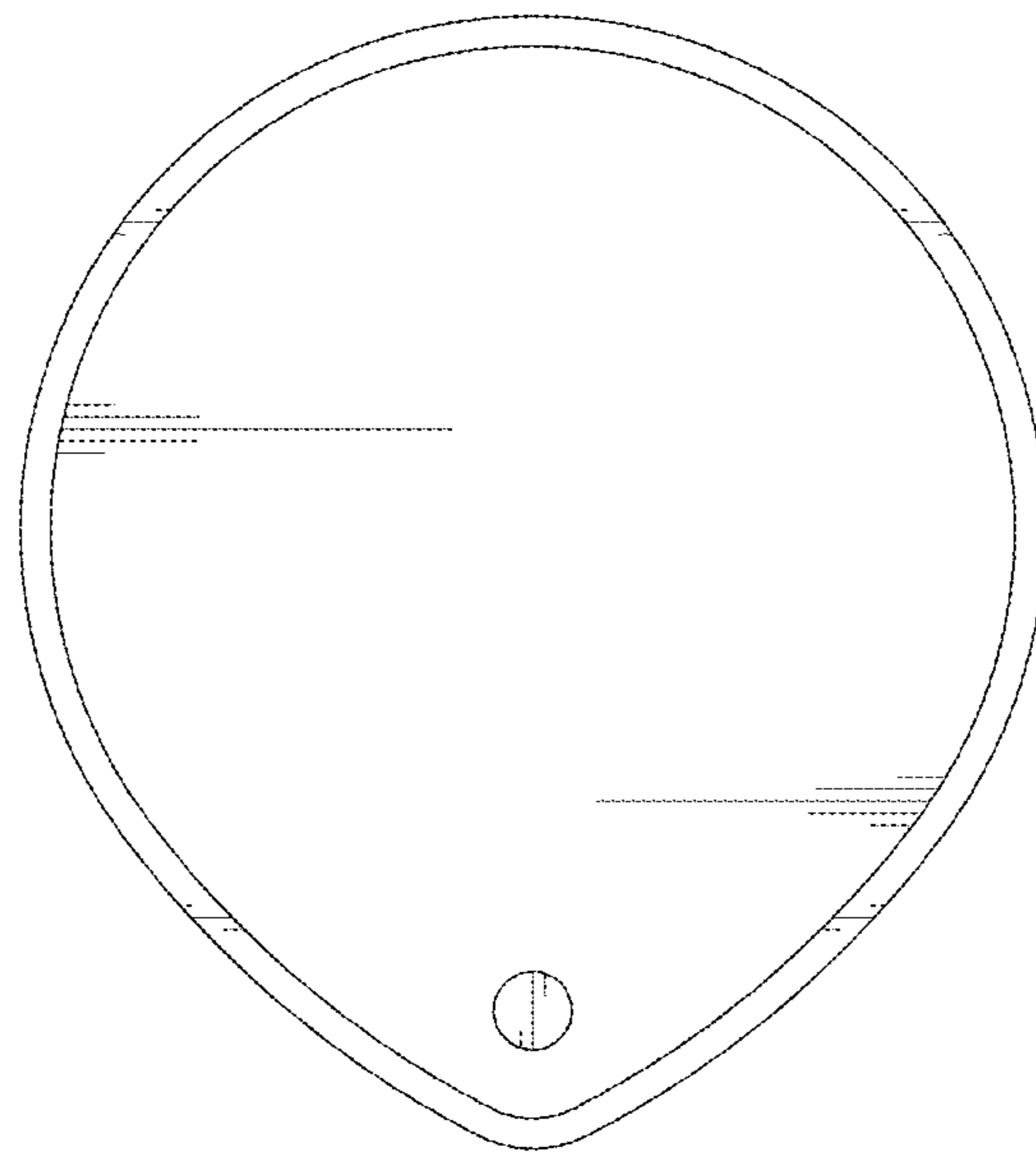


FIG. 4

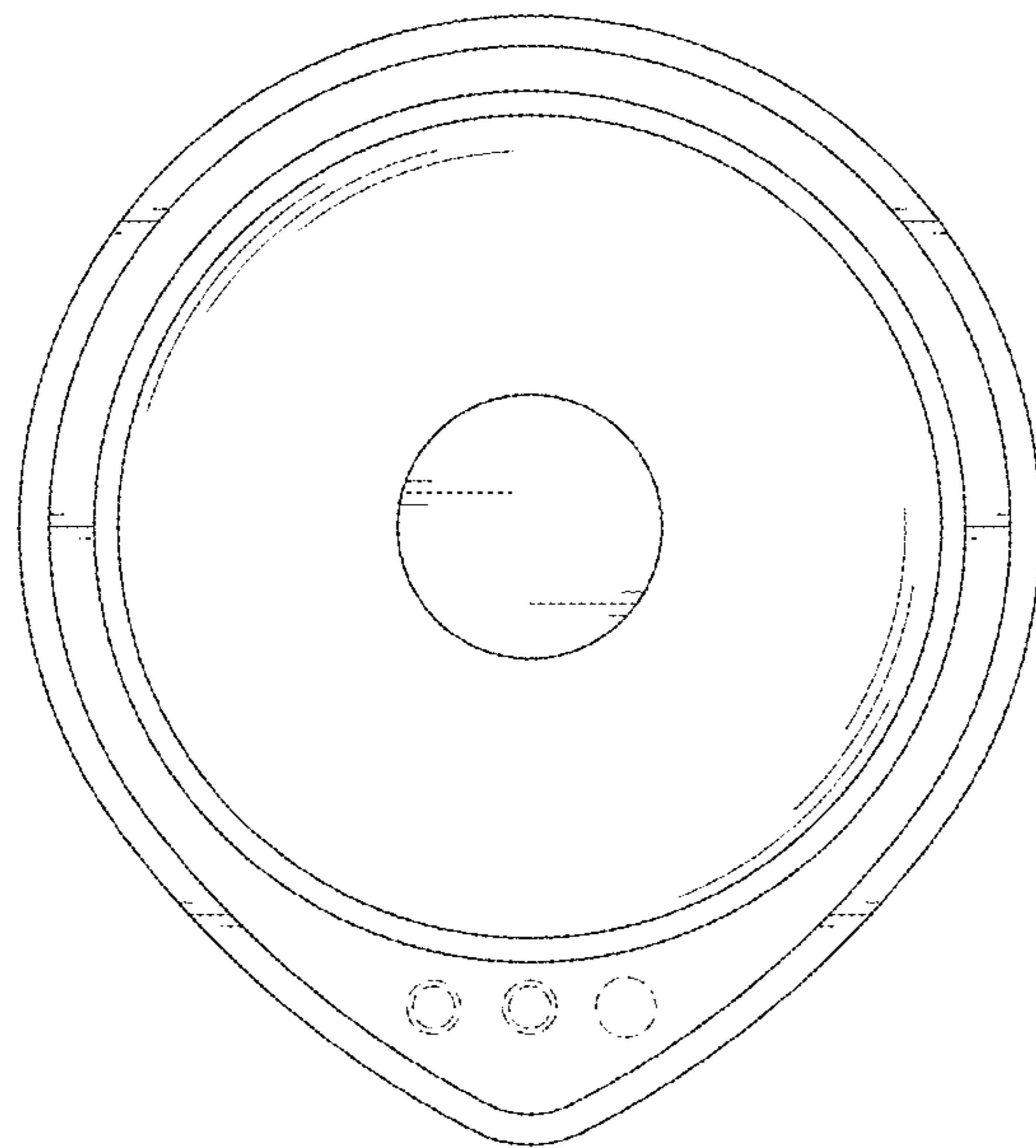


FIG. 5

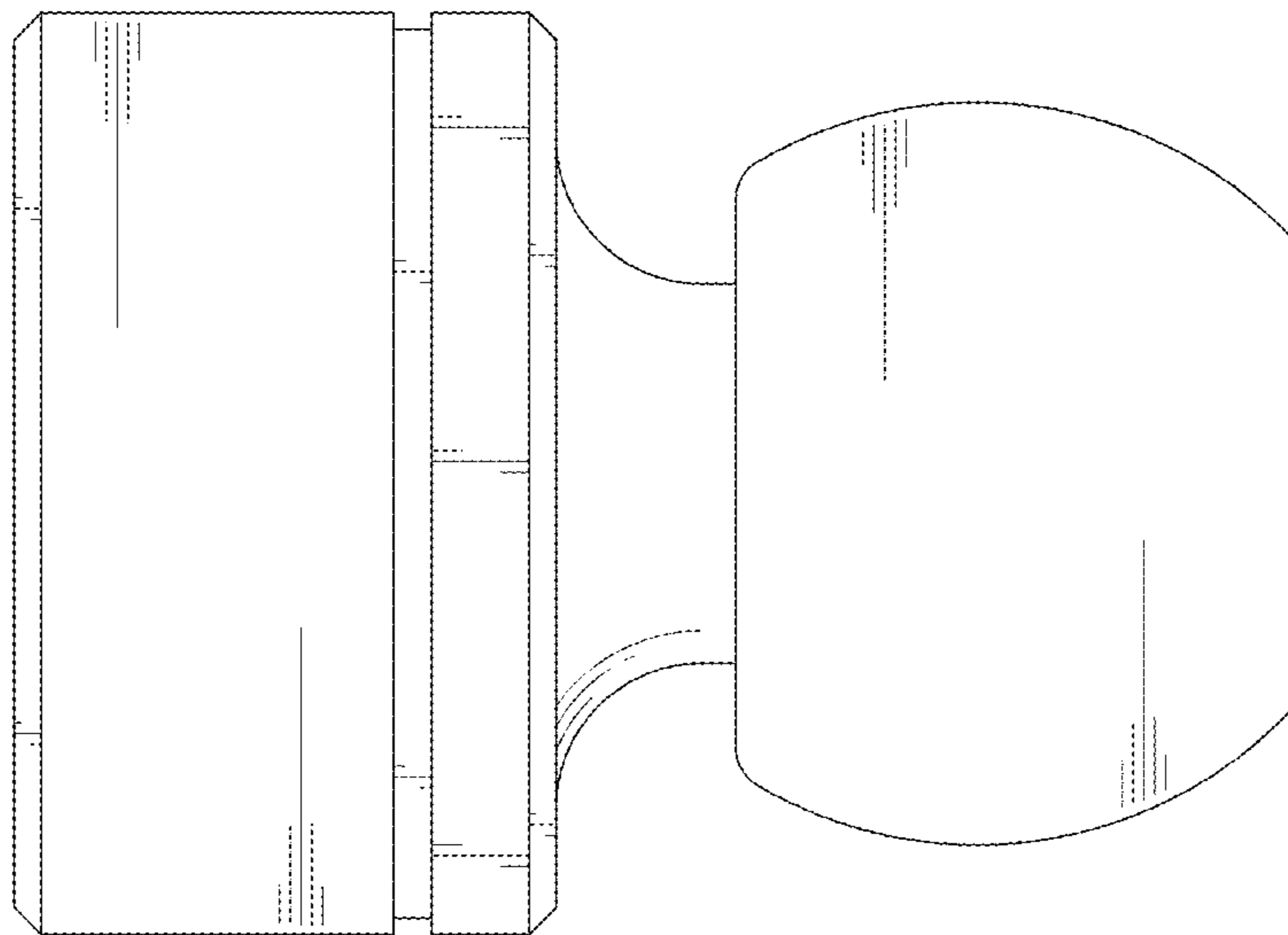


FIG. 6

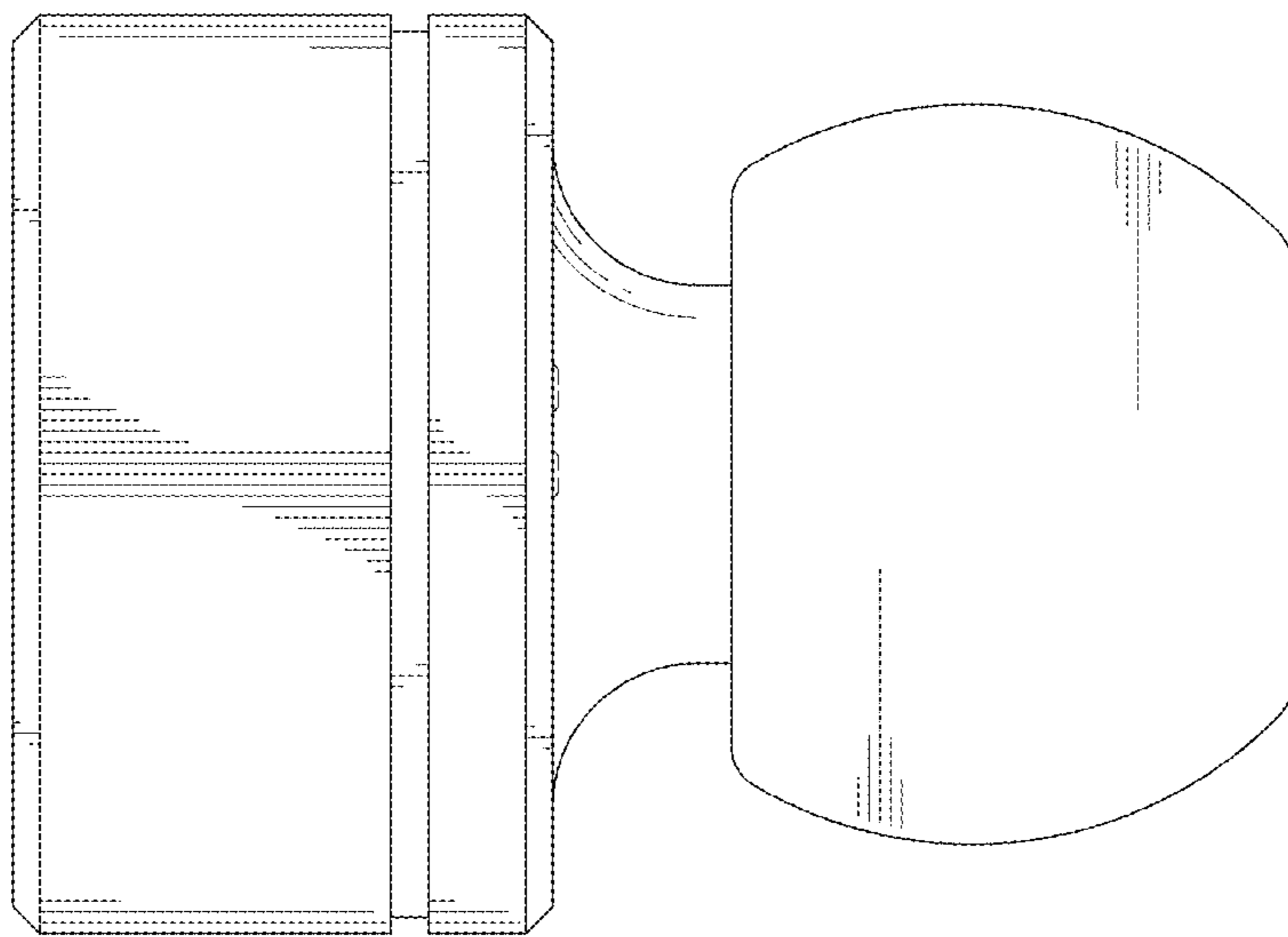


FIG. 7

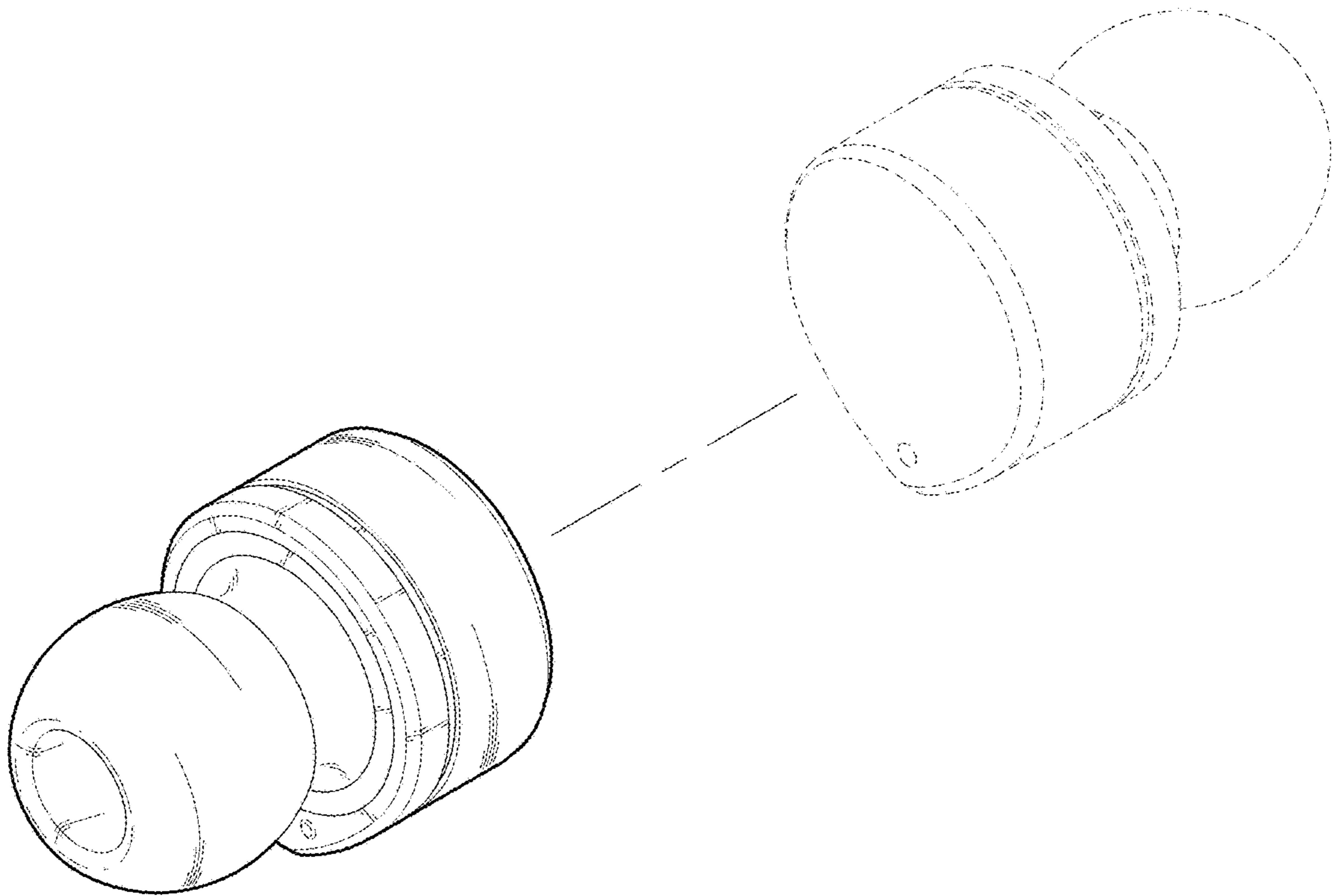


FIG. 8

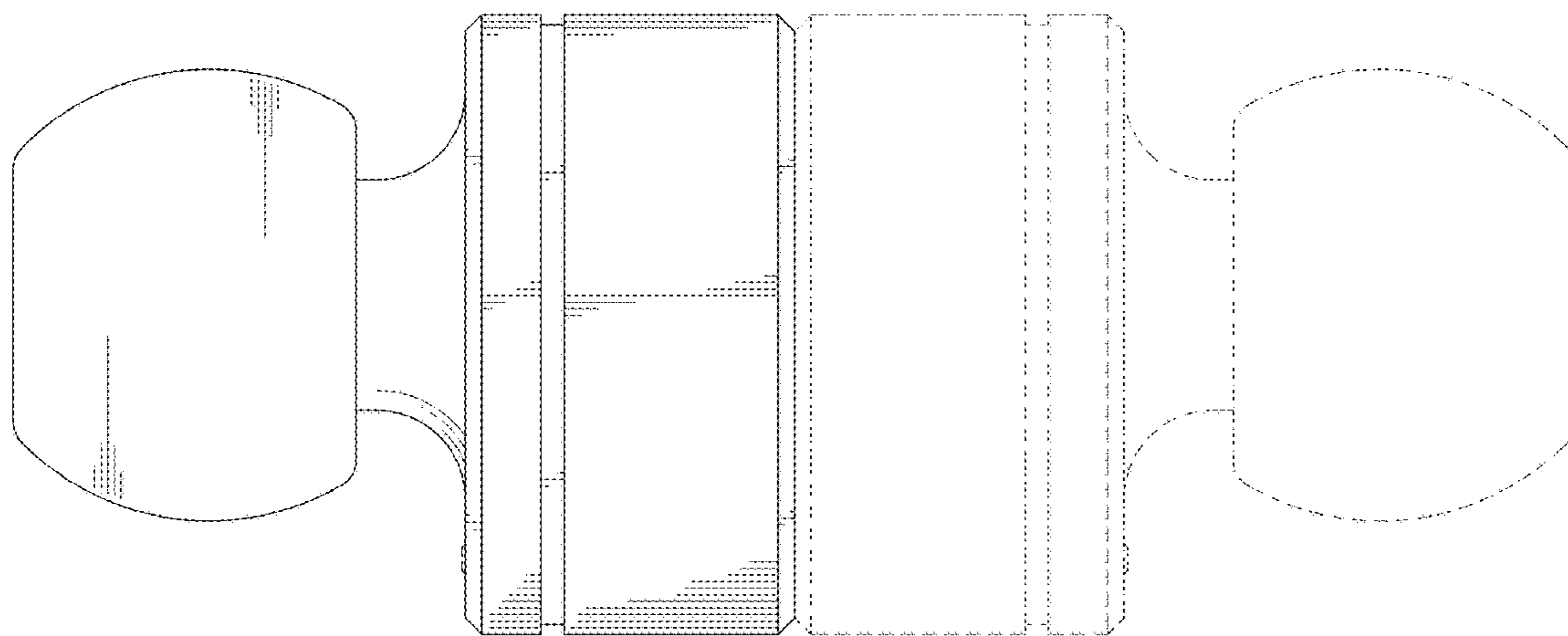


FIG. 9

