



US00D781267S

(12) **United States Design Patent**  
**Hirabayashi**

(10) **Patent No.:** **US D781,267 S**  
(45) **Date of Patent:** **\*\* Mar. 14, 2017**

(54) **TUNER**

(71) Applicant: **KORG INC.**, Tokyo (JP)

(72) Inventor: **Takayuki Hirabayashi**, Nagano (JP)

(73) Assignee: **KORG INC.**, Tokyo (JP)

(\*\*) Term: **15 Years**

(21) Appl. No.: **29/551,833**

(22) Filed: **Jan. 18, 2016**

(30) **Foreign Application Priority Data**

Aug. 19, 2015 (JP) ..... 2015-018206

(51) **LOC (10) Cl.** ..... **14-03**

(52) **U.S. Cl.**  
USPC ..... **D14/217**

(58) **Field of Classification Search**  
USPC ..... D14/217, 218, 341, 257, 258, 434, 496,  
D14/162, 167, 175, 188, 196-198,  
D14/498-511

(Continued)

(56) **References Cited**

**U.S. PATENT DOCUMENTS**

D326,852 S \* 6/1992 Kanno ..... D14/188  
D376,351 S \* 12/1996 Matsumoto ..... D14/346

(Continued)

*Primary Examiner* — Brandon M Rosati

*Assistant Examiner* — Khawaja Anwar

(74) *Attorney, Agent, or Firm* — Wentsler LLC

(57) **CLAIM**

The ornamental design for a tuner, as shown and described.

**DESCRIPTION**

FIG. 1 is a top, rear, right perspective view of a tuner, showing my new design;

FIG. 2 is a rear view of the tuner of FIG. 1;

FIG. 3 is a front view of the tuner of FIG. 1;

FIG. 4 is a top view of the tuner of FIG. 1;

FIG. 5 is a bottom view of the tuner of FIG. 1;

FIG. 6 is a right side view of the tuner of FIG. 1;

FIG. 7 is a left side view of the tuner of FIG. 1;

FIG. 8 is a top, rear, right perspective view of a tuner, showing my new design;

FIG. 9 is a rear view of the tuner of FIG. 8;

FIG. 10 is a front view of the tuner of FIG. 8;

FIG. 11 is a top view of the tuner of FIG. 8;

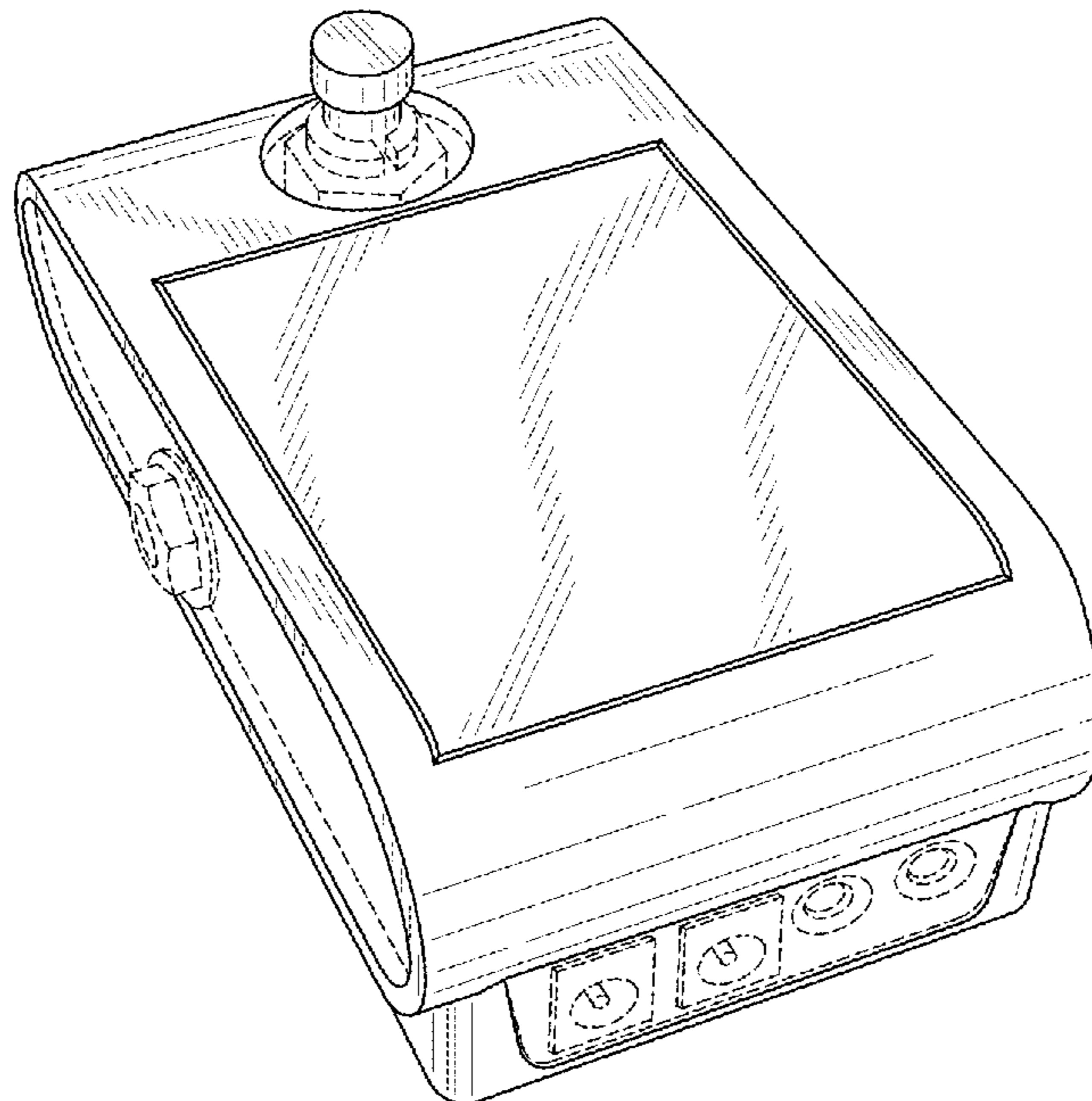
FIG. 12 is a bottom view of the tuner of FIG. 8;

FIG. 13 is a right side view of the tuner of FIG. 8; and,

FIG. 14 is a left side view of the tuner of FIG. 8.

The unshaded regions demarcated by one or more broken lines or a combination of one or more broken and solid lines in FIGS. 1-7 represent unclaimed portions that form no part of the claimed design. The broken line immediately adjacent shaded region of a button shaft in FIGS. 8, 10, 13 and 14 represent an unclaimed boundary of the button shaft that forms no part of the claimed design. The unshaded regions in FIGS. 8-14, demarcated by one or more broken lines, one or more solid lines, or a combination of one or more broken and solid lines represent unclaimed portions that form no part of the claimed design. Unless otherwise described above, the broken lines in all the figures are provided for environmental purposes only and form no part of the claimed design.

**1 Claim, 10 Drawing Sheets**



(58) **Field of Classification Search**

CPC ... G06F 1/1626; G06F 1/1688; G10L 19/008;  
G10L 19/167; H03G 3/00; H03G 3/04;  
H03G 3/3005; H03G 3/3089; H03G 5/00;  
H03G 5/005; H03G 5/025; H03G 9/18;  
G11B 19/02; G11B 20/10527; G11B  
27/00; G11B 27/34; G11B 27/031; G11B  
27/034; G11B 27/038; G11B 27/105;  
G11B 33/025; H04R 3/00; H04R 3/005;  
H04R 5/04; H04R 2205/021; H04R  
2499/11

See application file for complete search history.

(56) **References Cited**

U.S. PATENT DOCUMENTS

D630,613 S *	1/2011	Kondo .....	D14/188
D639,782 S *	6/2011	Kim .....	D14/218
D677,247 S *	3/2013	Iijima .....	D14/217
D704,164 S *	5/2014	Green .....	D14/217
D722,586 S *	2/2015	Kimura .....	D14/188
D771,033 S *	11/2016	Jobetto .....	D14/341
D775,271 S *	12/2016	Ridinger .....	D14/188

\* cited by examiner

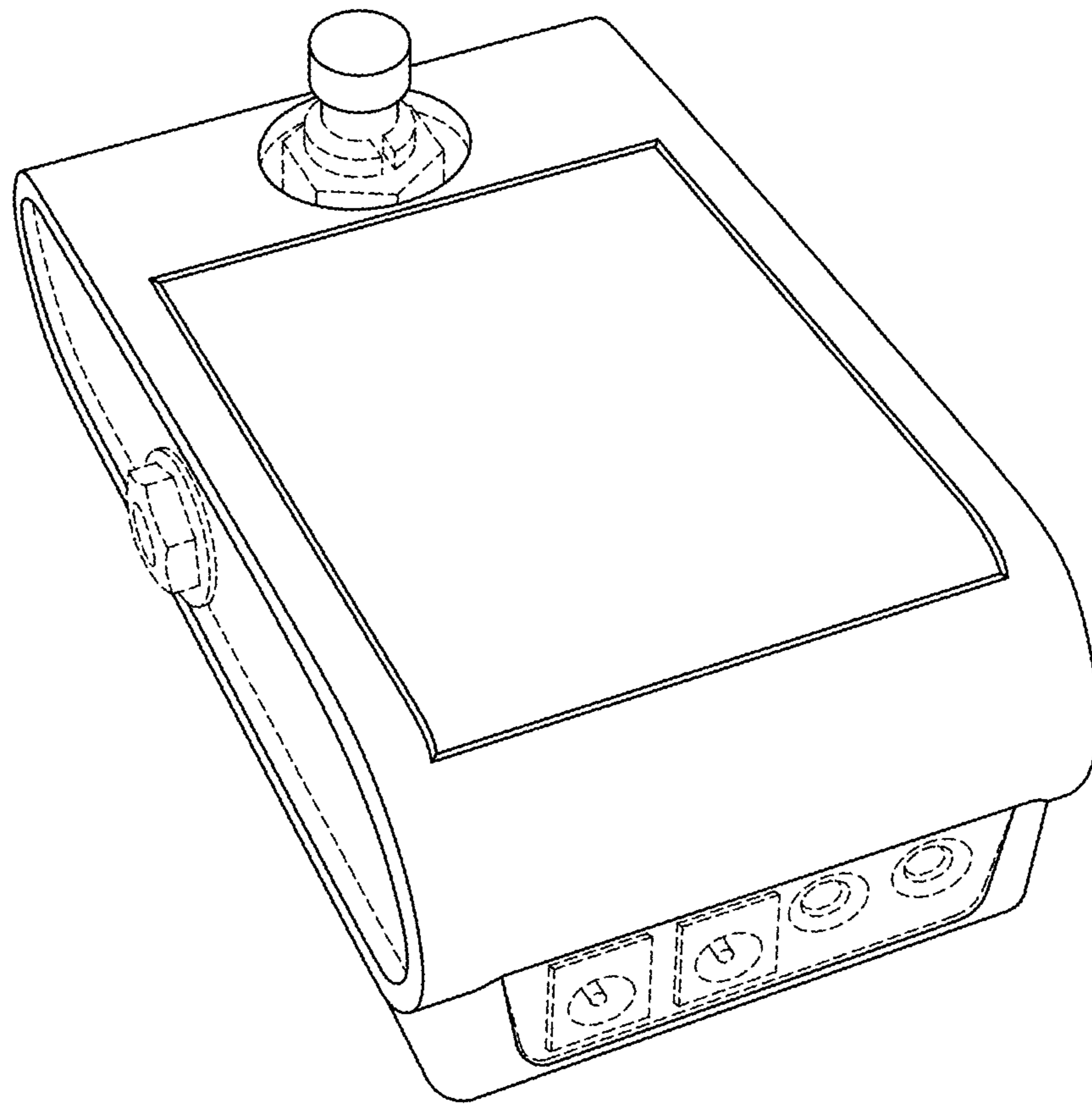


FIG. 1

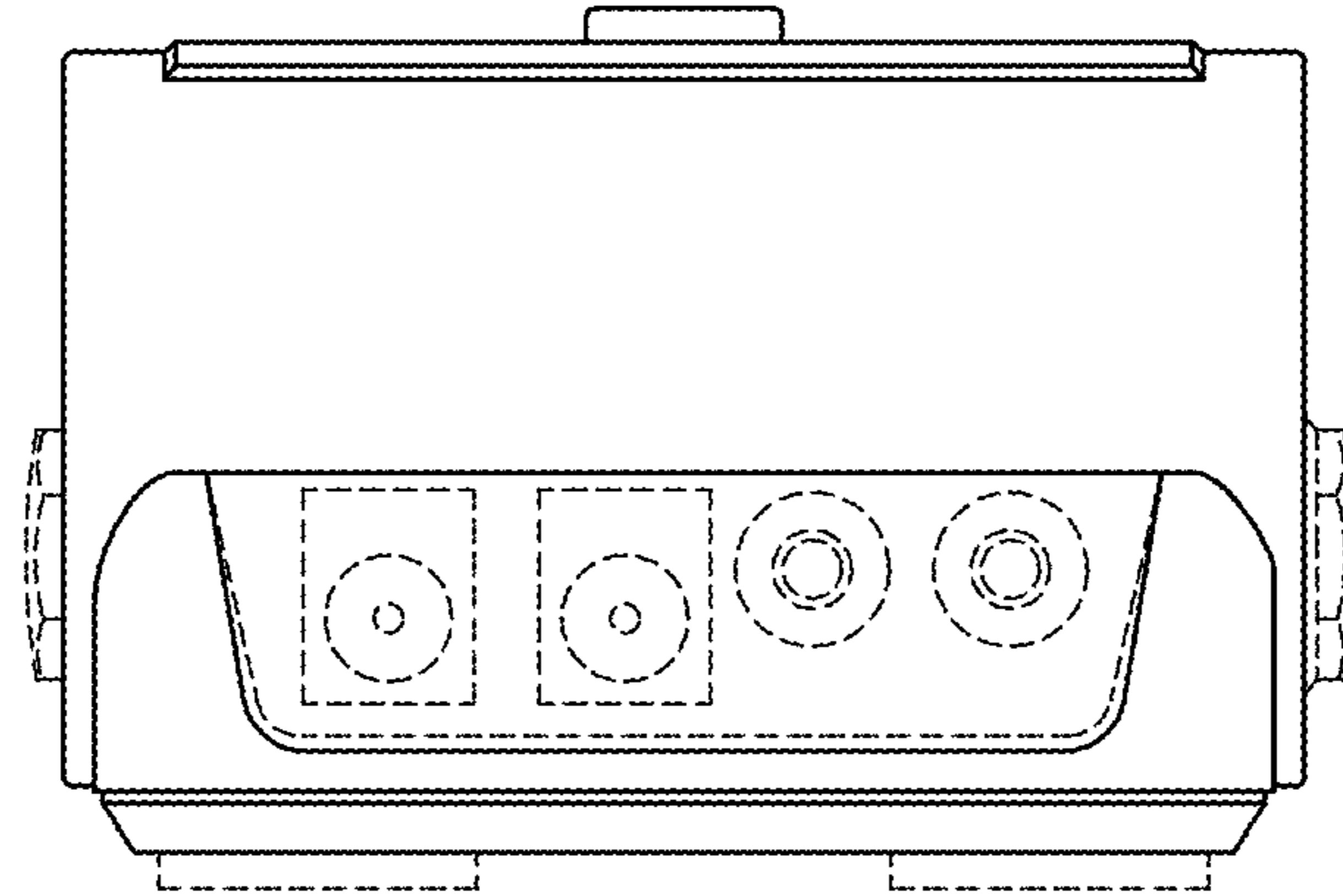


FIG. 2

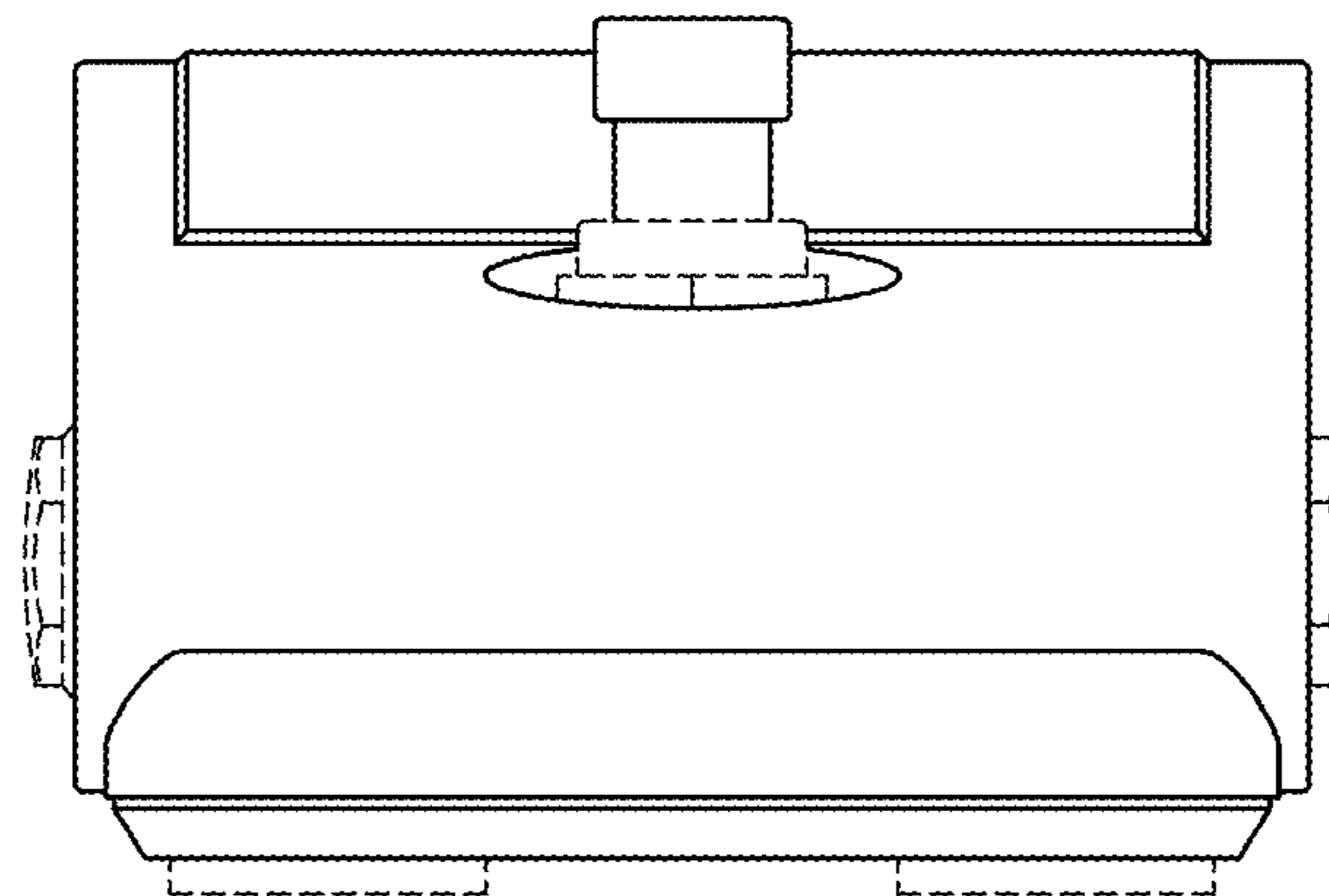


FIG. 3

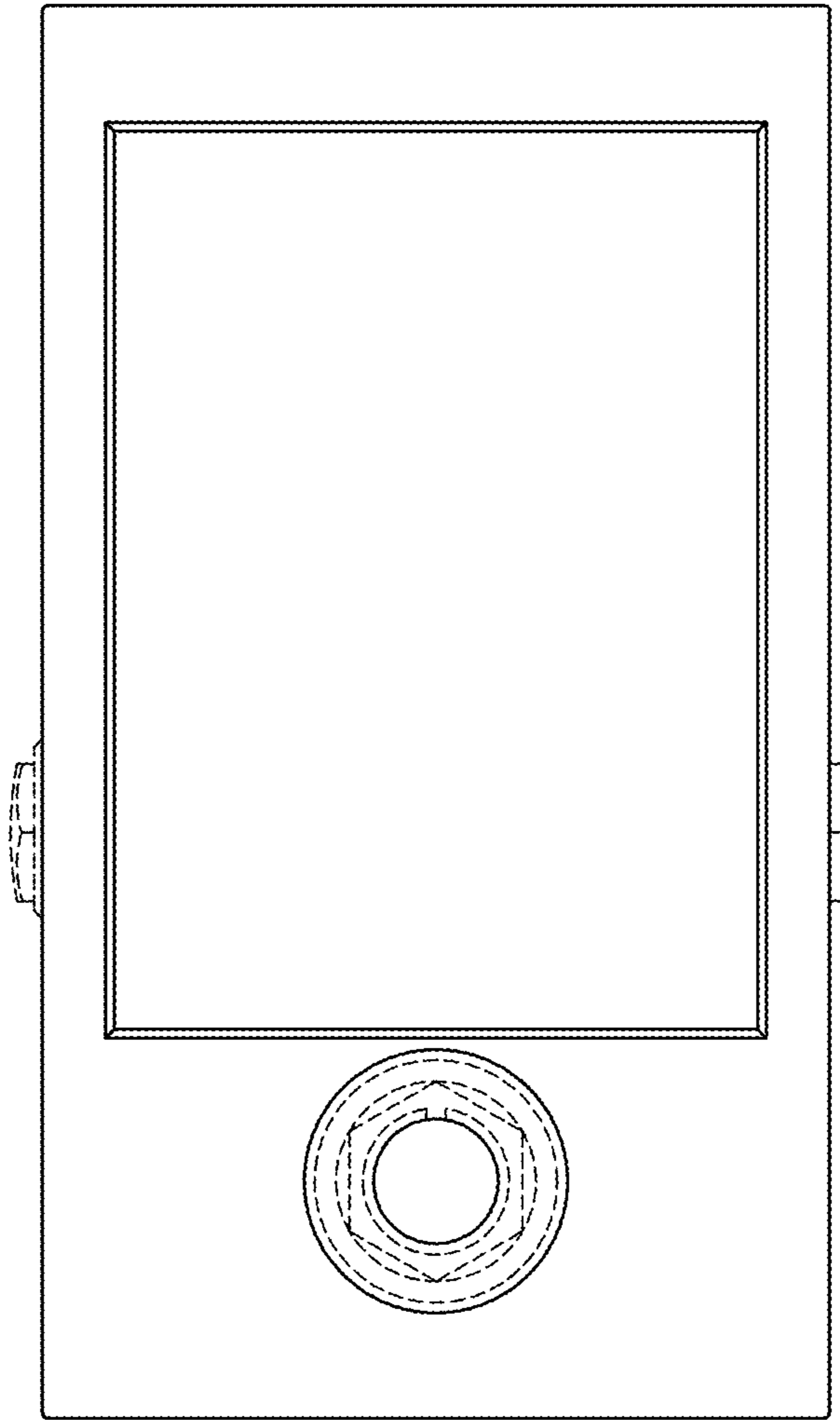


FIG. 4

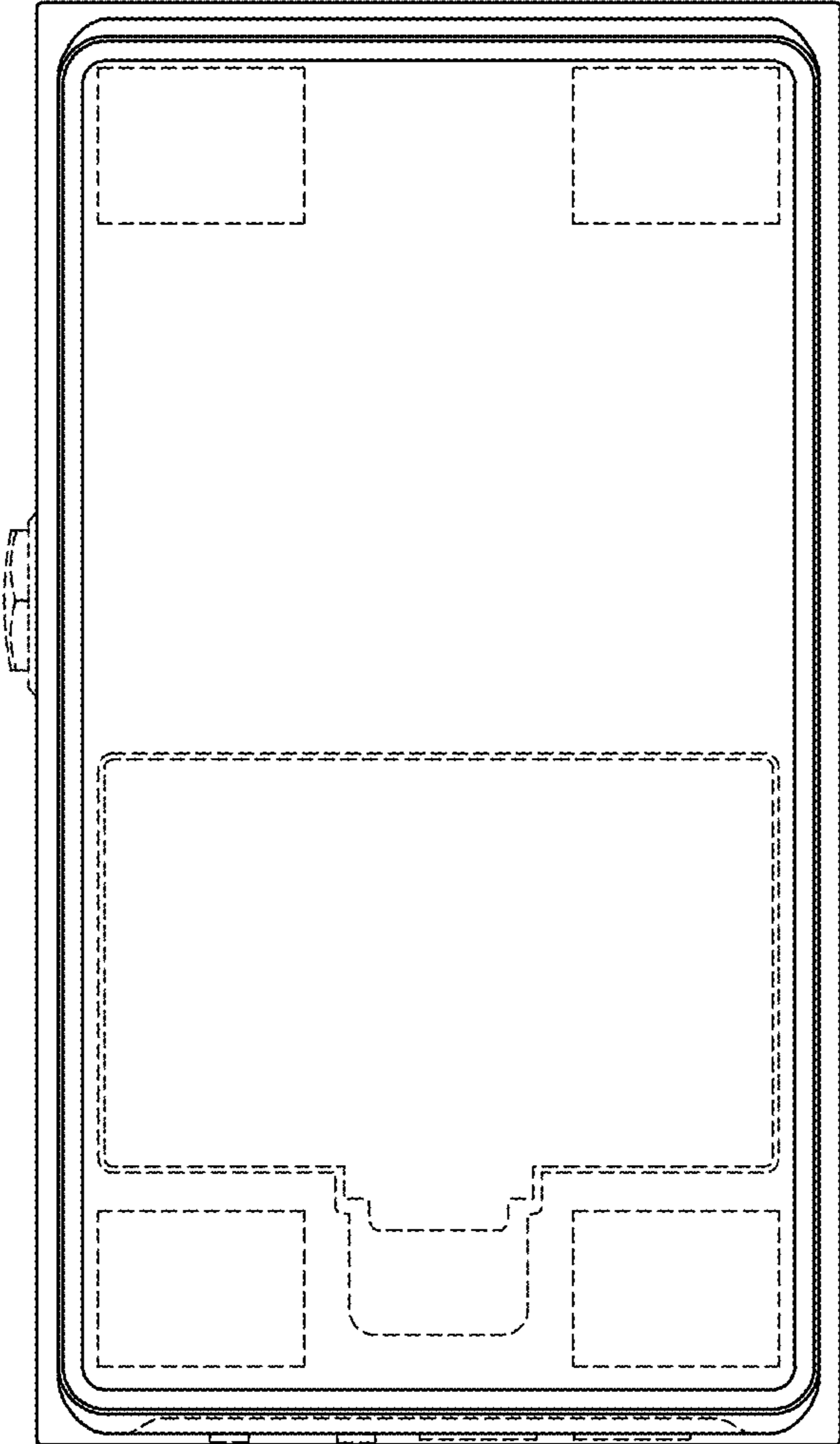


FIG. 5

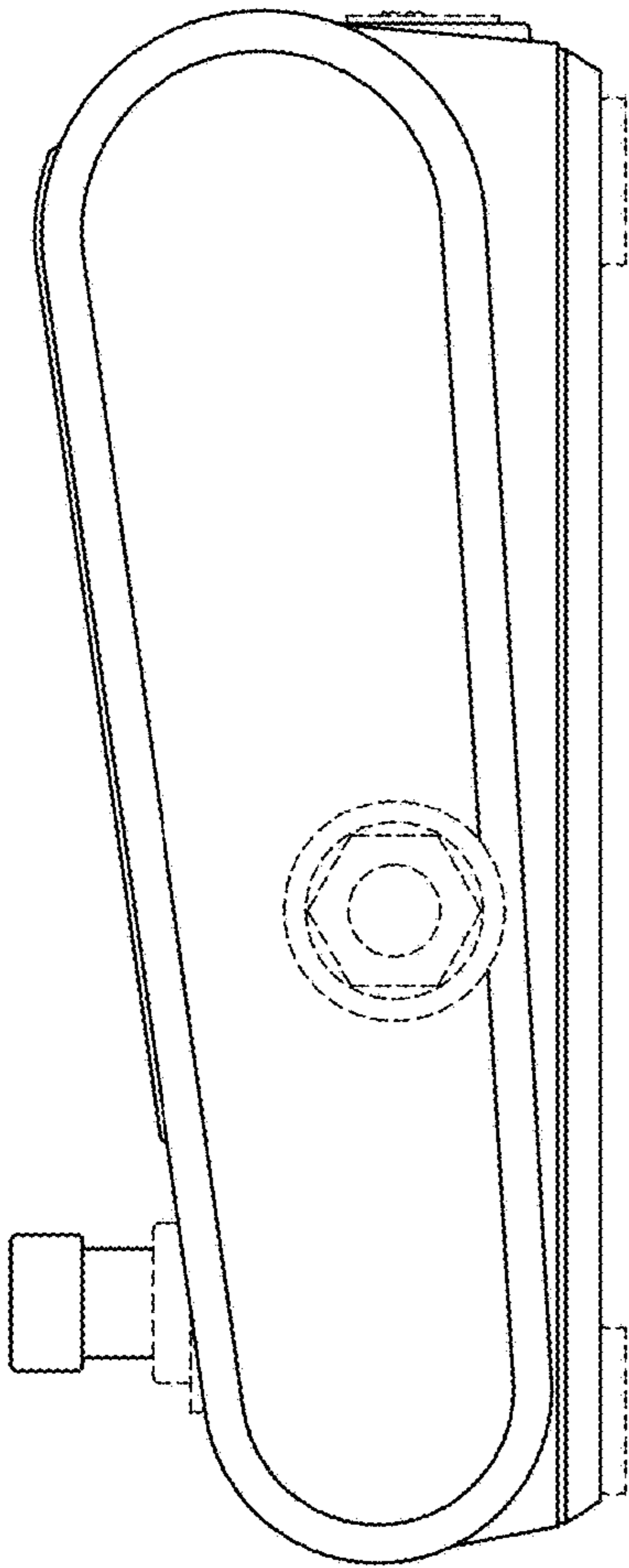


FIG. 6

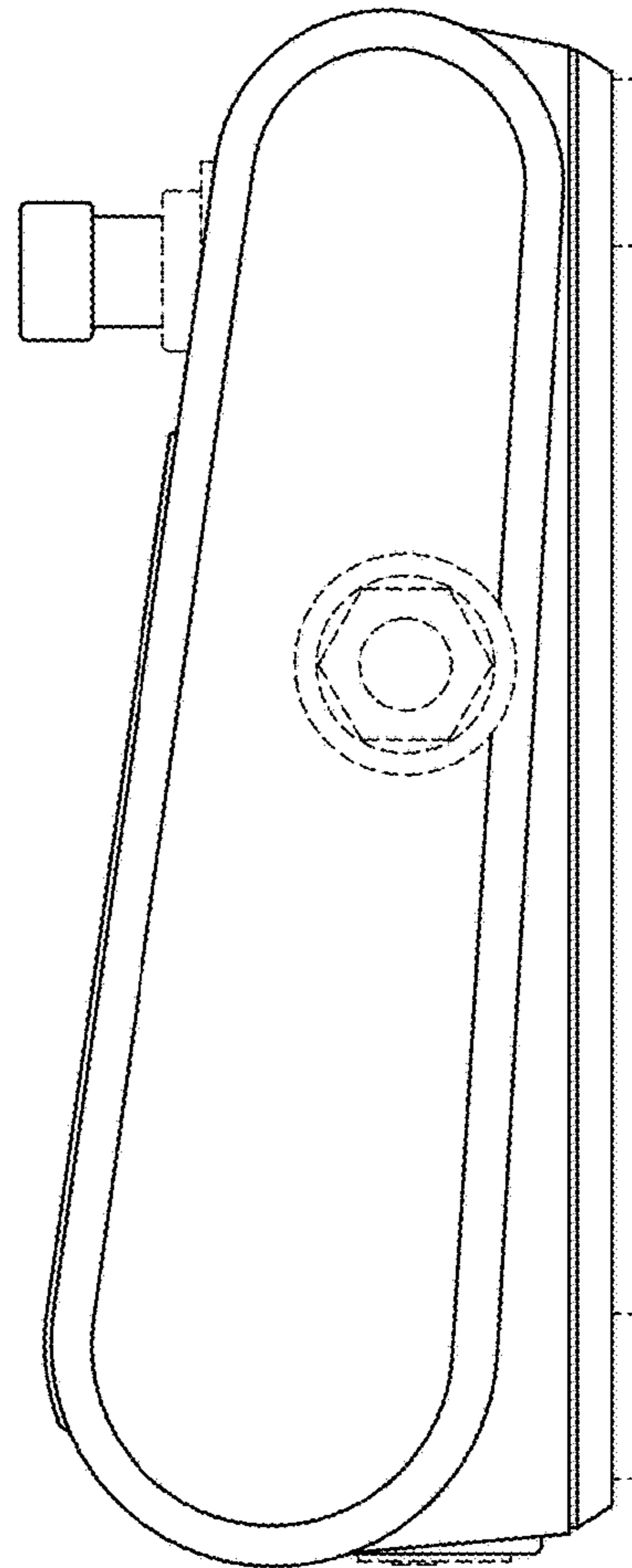


FIG. 7

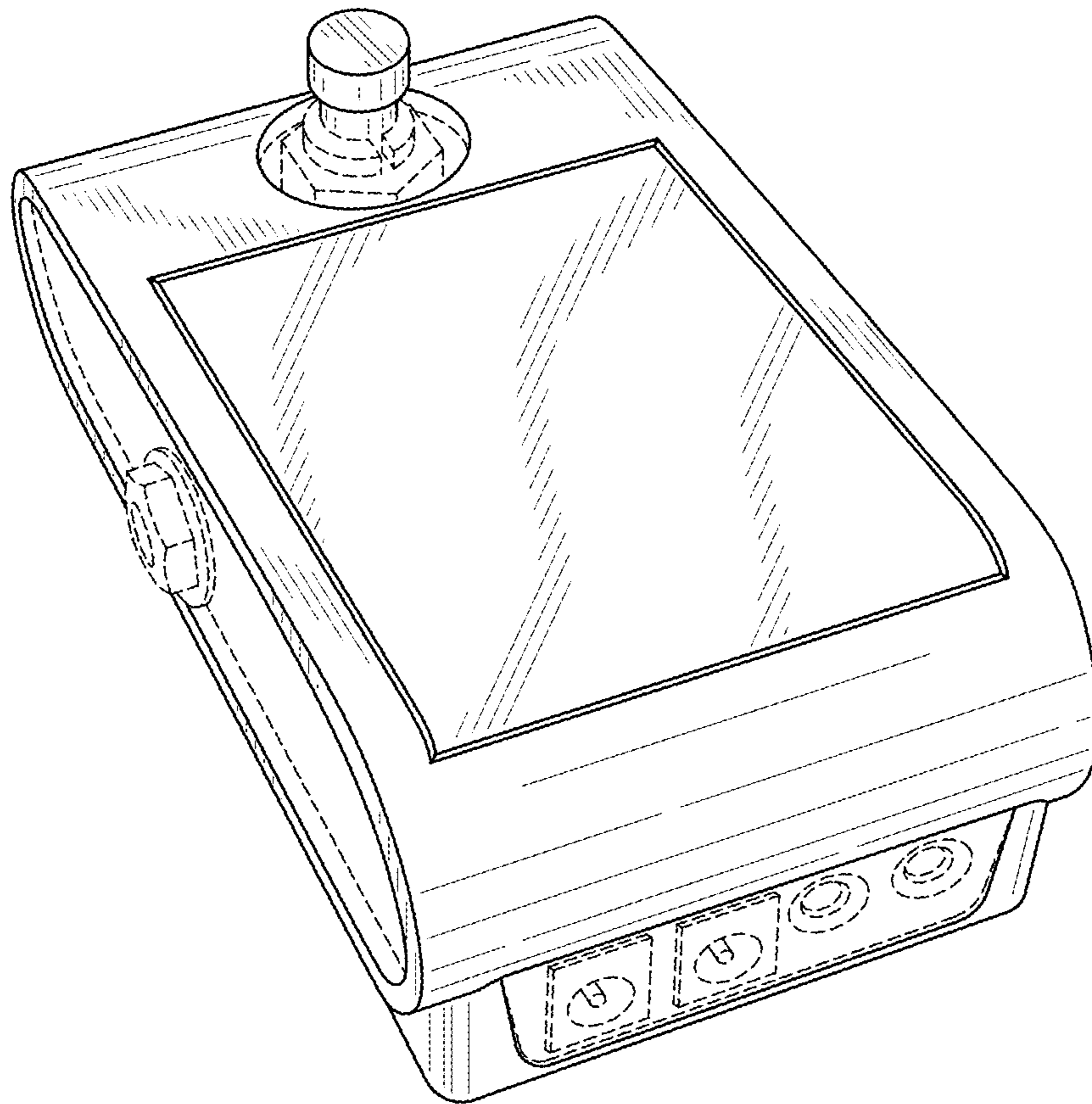


FIG. 8



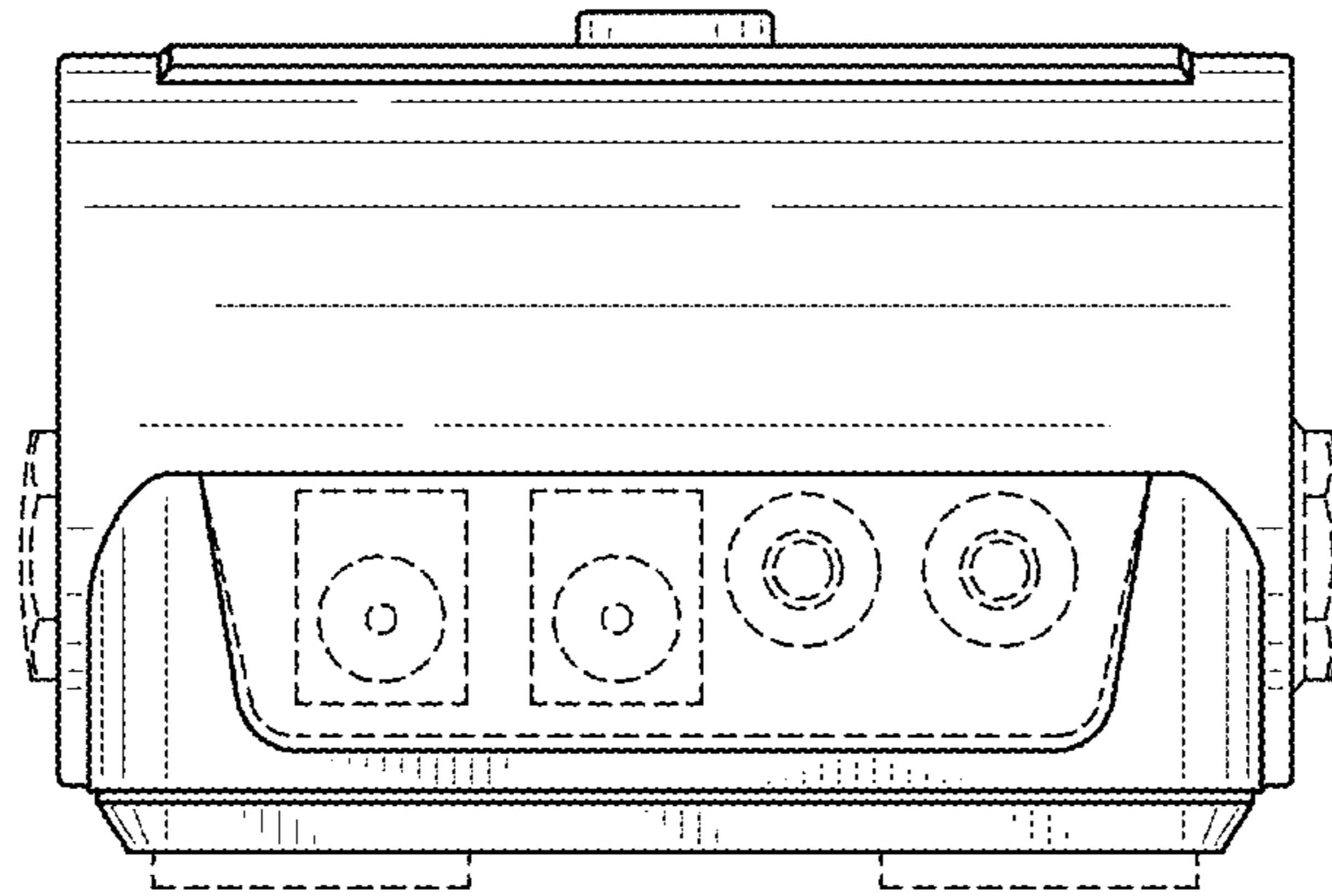


FIG. 9

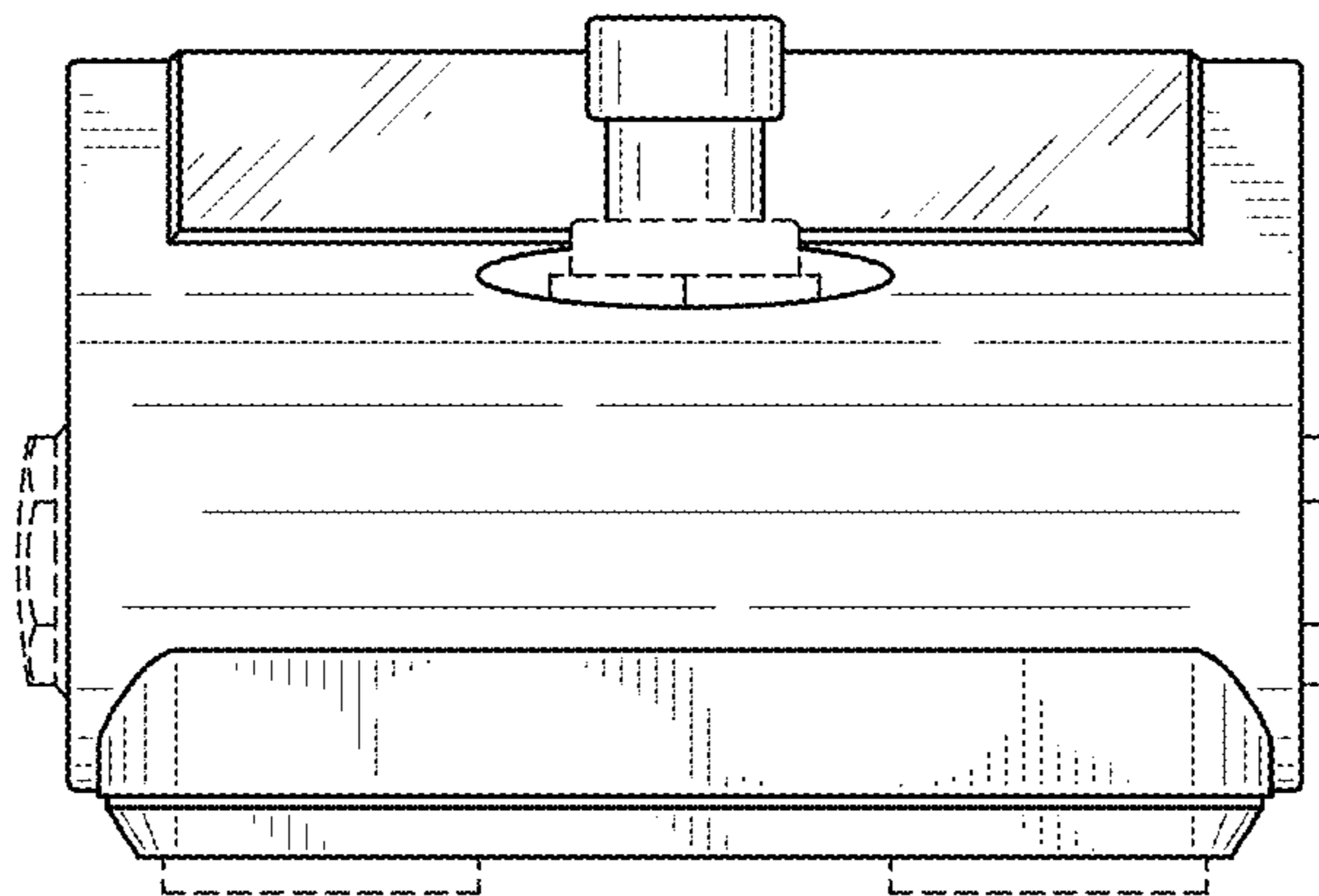


FIG. 10

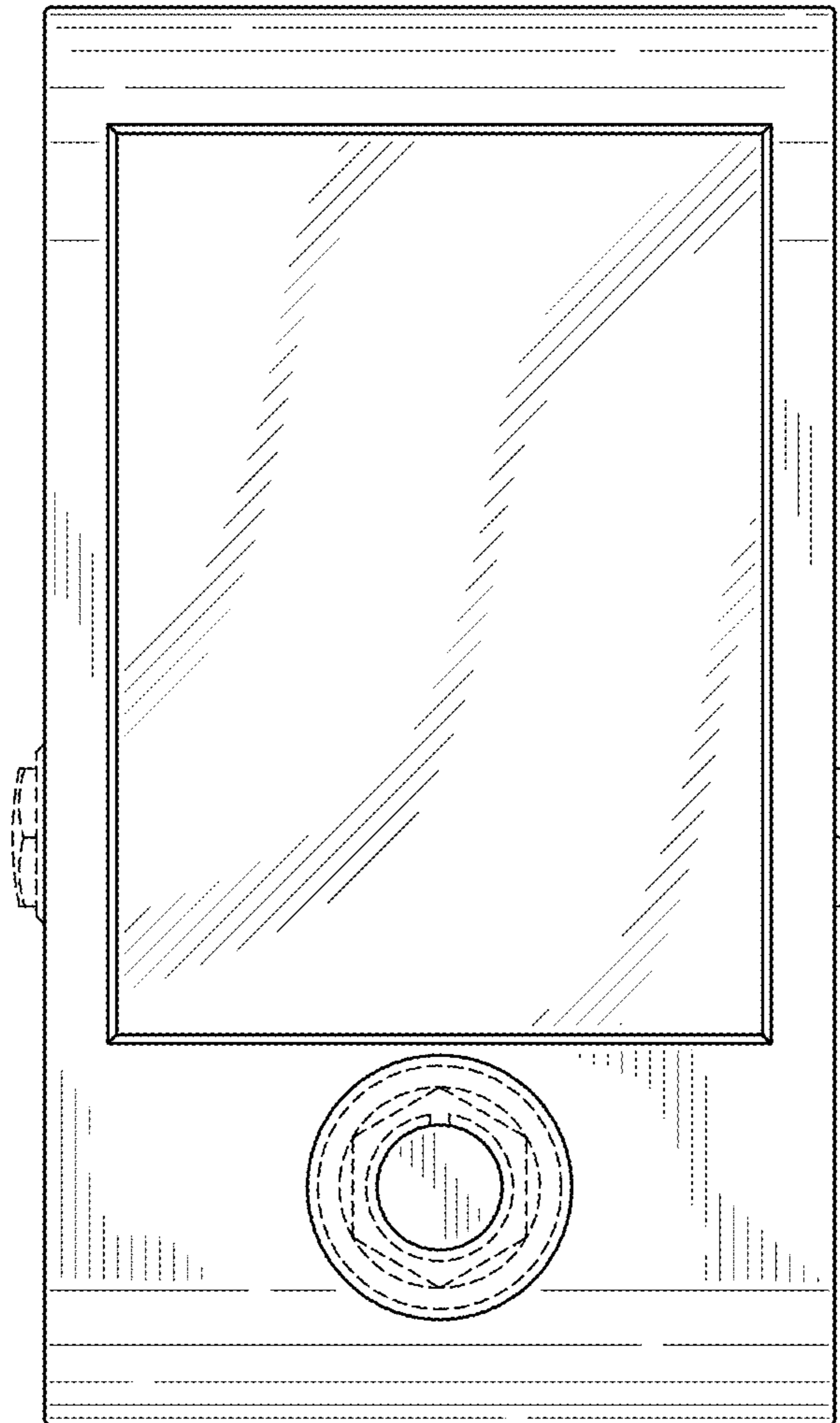


FIG. 11

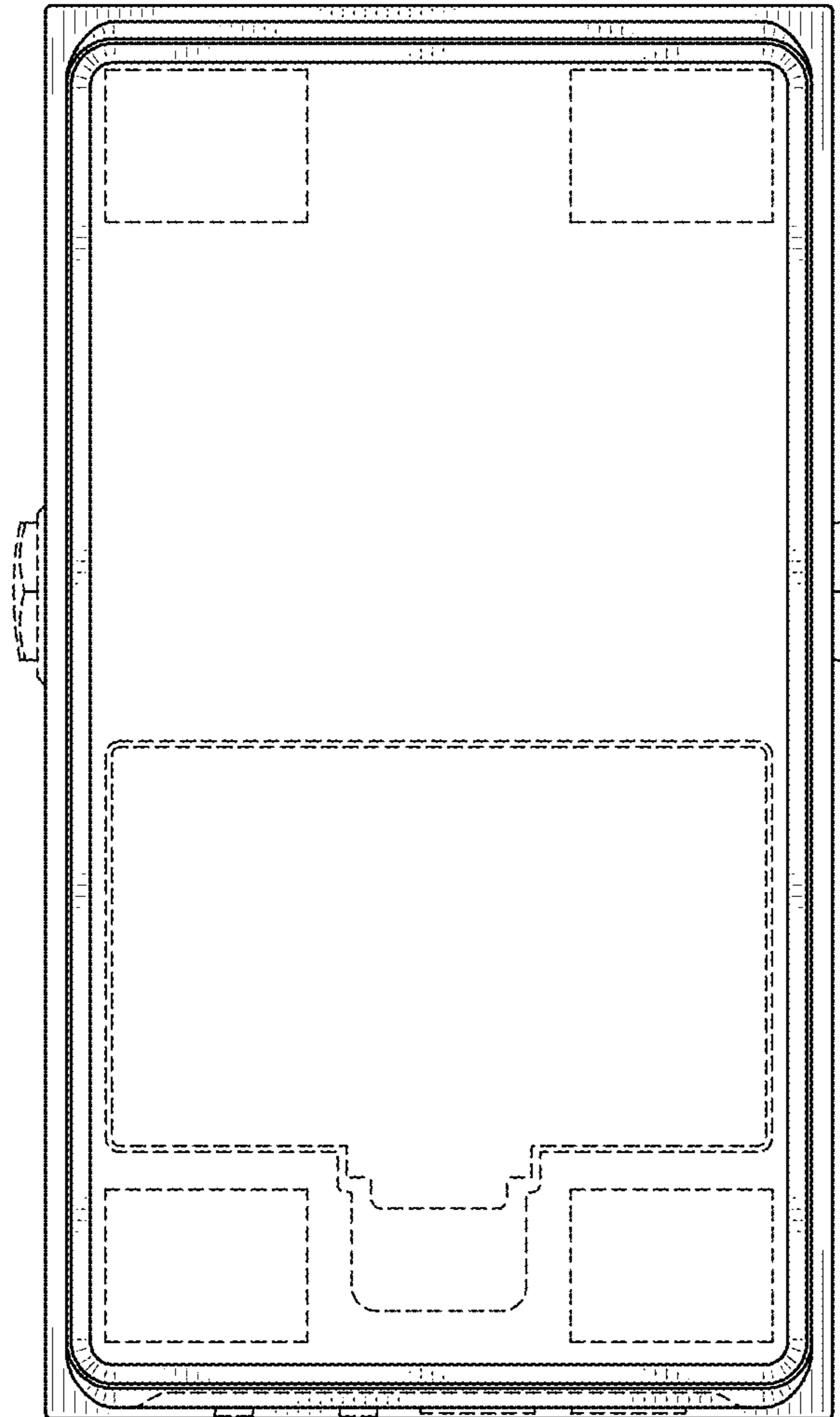


FIG. 12

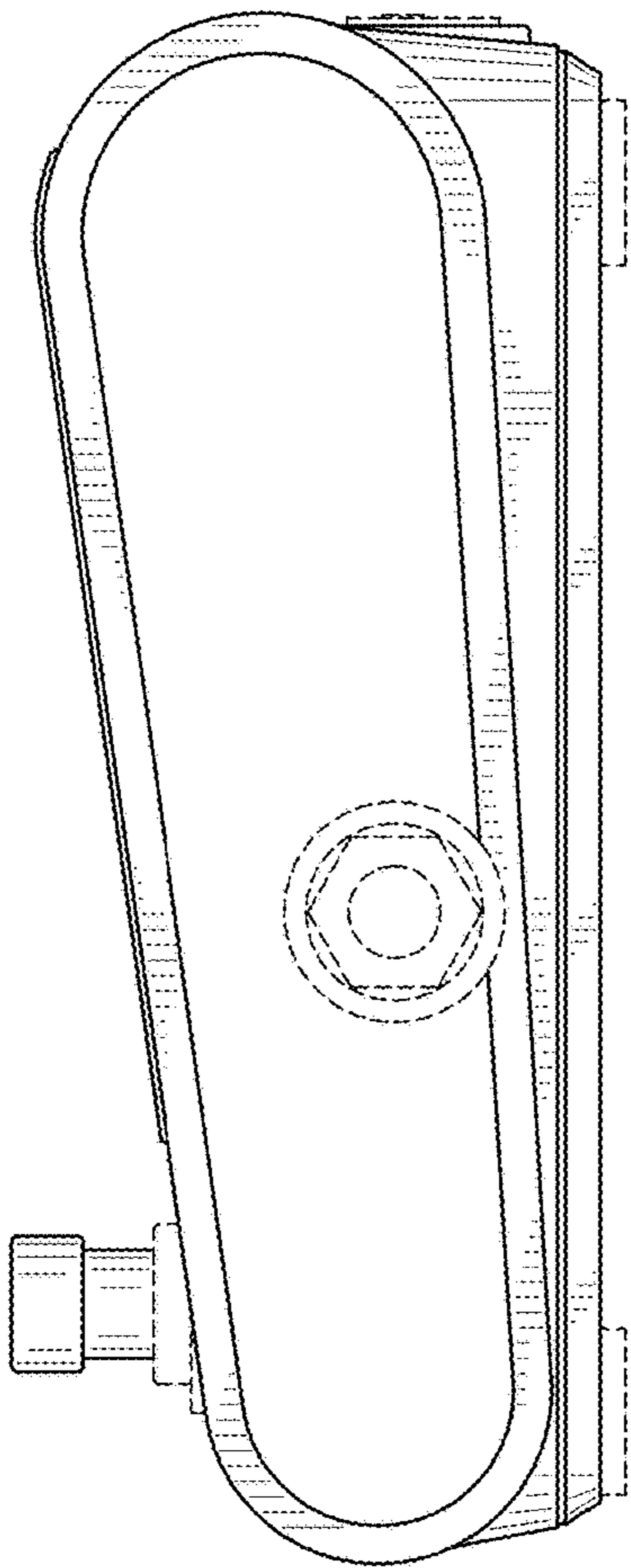


FIG. 13

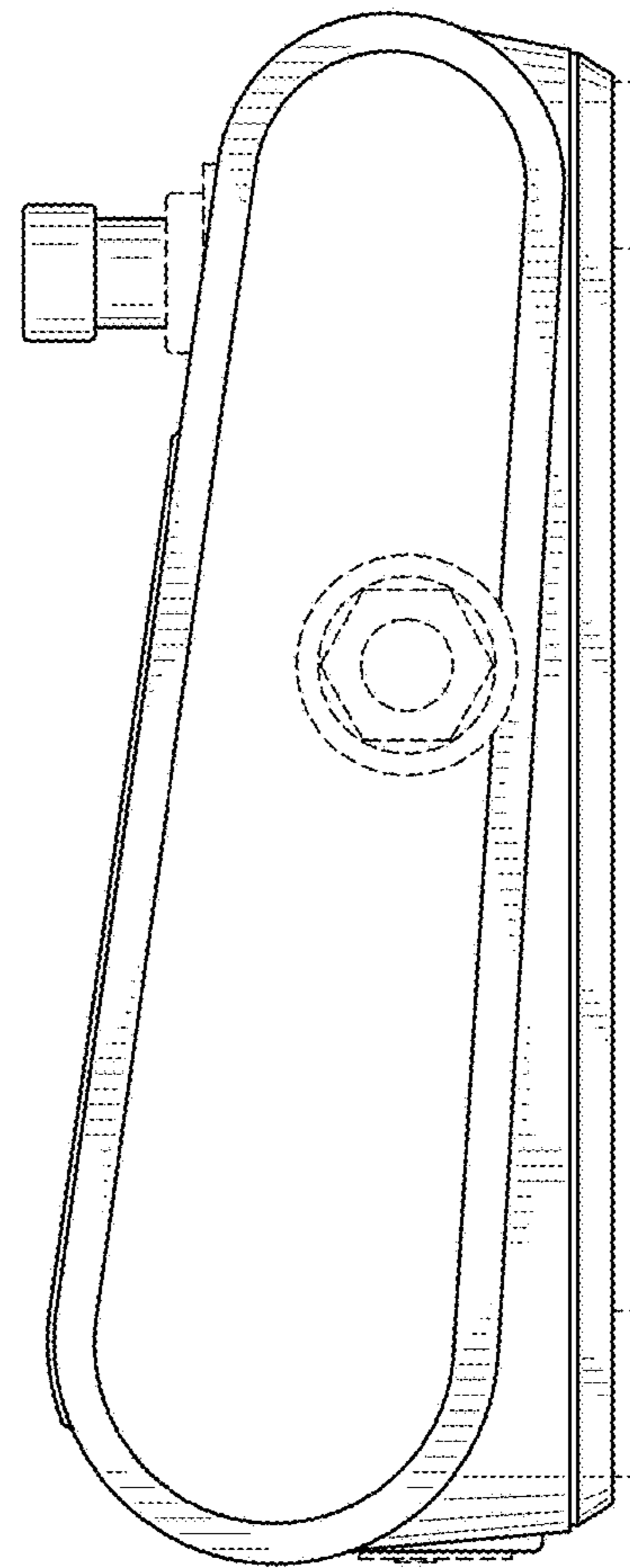


FIG. 14