



US00D781265S

(12) **United States Design Patent**
Levine et al.

(10) **Patent No.:** **US D781,265 S**
(45) **Date of Patent:** **** Mar. 14, 2017**

(54) **HEADSET**
(71) Applicant: **New Audio LLC**, New York, NY (US)
(72) Inventors: **Jonathan E. Levine**, New York, NY (US); **Drew S. Briggs**, Brooklyn, NY (US); **Marten Andersson**, Malmö (SE); **Thomas C. Wilson**, Brooklyn, NY (US)
(73) Assignee: **New Audio LLC**, New York, NY (US)

(**) Term: **15 Years**

(21) Appl. No.: **29/535,635**

(22) Filed: **Aug. 7, 2015**

(51) **LOC (10) Cl.** **14-01**

(52) **U.S. Cl.**
USPC **D14/205**

(58) **Field of Classification Search**
USPC D14/205, 223; D29/112; 2/209;
181/129, 130, 135; 379/430, 431;
381/380, 381; 455/90.3, 575.1
CPC H04R 25/00; H04R 1/1066; H04R 1/1016;
H04R 5/033; H04R 5/0335
See application file for complete search history.

(56) **References Cited**

U.S. PATENT DOCUMENTS

1,127,161 A * 2/1915 Baldwin H04R 5/0335
381/379
1,367,746 A * 2/1921 Kent H04R 1/1008
181/129
1,483,315 A * 2/1924 Saal H04R 1/1066
381/374
1,489,978 A * 4/1924 Byron H04R 1/1008
128/866
1,587,409 A * 6/1926 Ouillette H04R 1/10
381/374

1,649,551 A * 11/1927 Smith H04R 1/1066
381/374
2,235,372 A * 3/1941 Kalbitz H04R 1/1066
381/371
2,394,374 A * 2/1946 Gilman H04R 1/1066
381/189
2,413,345 A * 12/1946 Gilman H04R 1/1066
381/379
2,486,267 A * 10/1949 Dulinsky H04R 5/0335
381/377
D156,329 S * 12/1949 Federico et al. D14/227
2,510,344 A * 6/1950 Law G03B 21/625
359/457

(Continued)

OTHER PUBLICATIONS

U.S. Appl. No. 14/821,619, filed Aug. 7, 2015, Levine, Jonathan E., et al.

(Continued)

Primary Examiner — Paula Greene

(74) *Attorney, Agent, or Firm* — Perkins Coie LLP

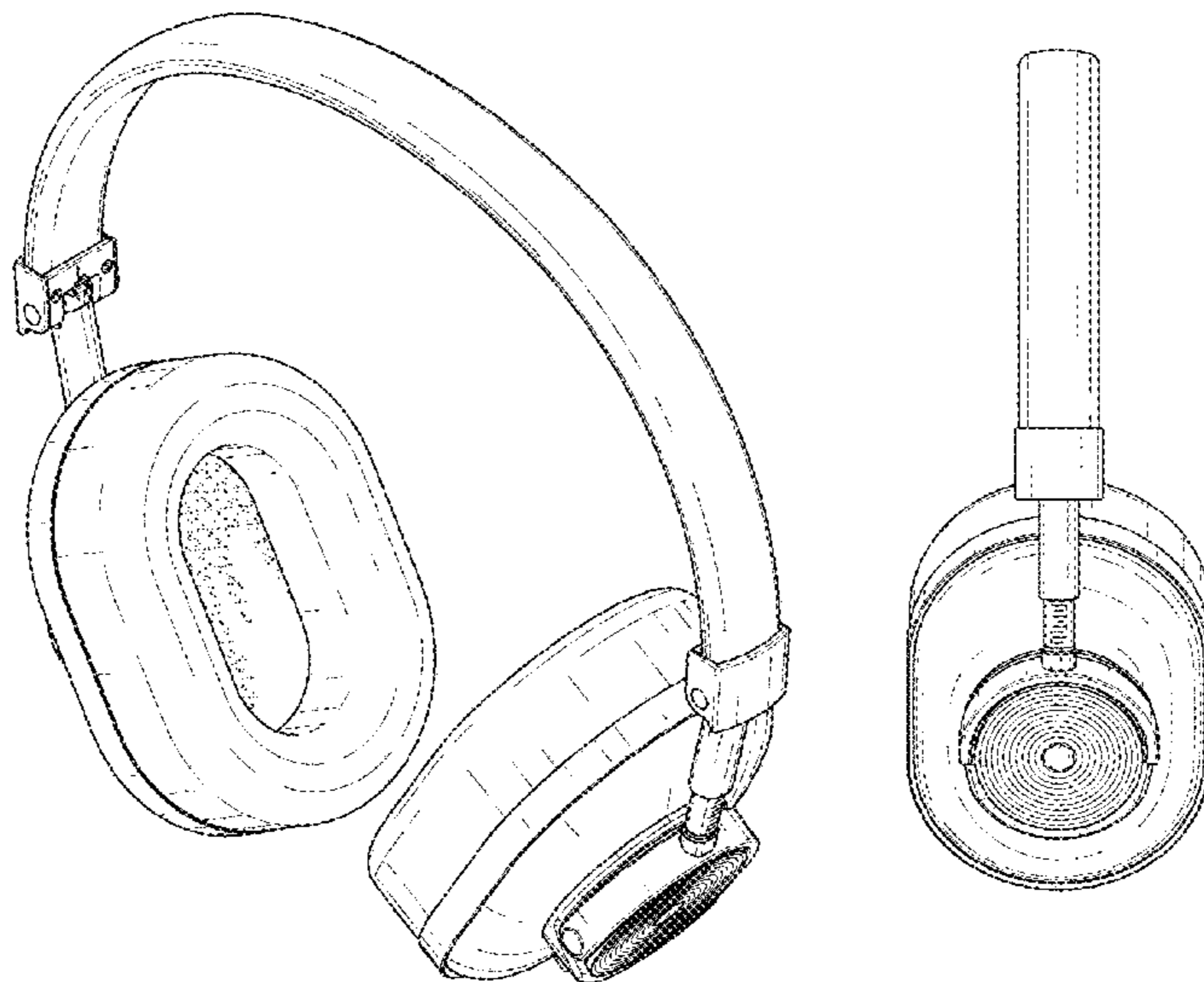
(57) **CLAIM**

The ornamental design for a headset, as shown and described.

DESCRIPTION

FIG. 1 is a perspective view of a headset showing our new design, as viewed from the top and front. FIG. 2 is a front elevational view thereof. FIG. 3 is a back elevational view thereof. FIG. 4 is an outer side elevational view thereof. FIG. 5 is an opposite outer side elevational view thereof. FIG. 6 is a top plan view thereof; and, FIG. 7 is a bottom plan view thereof.

1 Claim, 5 Drawing Sheets



(56)

References Cited

U.S. PATENT DOCUMENTS

2,782,423 A * 2/1957 Simon A61F 11/14
2/209
3,440,663 A * 4/1969 Beguin A61F 11/14
2/209
3,488,457 A * 1/1970 Lahti H04R 1/1008
381/371
3,797,045 A * 3/1974 Aho A61F 11/14
2/209
3,922,725 A * 12/1975 Csiki A61F 11/14
2/209
4,175,217 A * 11/1979 Williams H04M 1/23
379/430
4,472,607 A * 9/1984 Houng H04M 1/05
181/18
4,829,571 A * 5/1989 Kakiuchi H04R 1/1033
381/309
5,233,650 A * 8/1993 Chan H04M 1/05
379/430
5,293,647 A * 3/1994 Mirmilshhteyn H04R 1/10
2/209
D410,466 S 6/1999 Mouri et al.
D431,550 S * 10/2000 Yoneda D14/205
D432,522 S * 10/2000 Kieltyka D14/214
D484,485 S * 12/2003 Matsuoka D14/205
D508,483 S * 8/2005 Suzuki D14/205
D514,087 S * 1/2006 Wilson D14/206
D517,527 S * 3/2006 Suzuki D14/205
D560,654 S * 1/2008 Feng D14/205
D567,215 S * 4/2008 Lee D14/205
D722,998 S * 2/2015 Sancho D14/205
D727,280 S 4/2015 Levine et al.
D727,281 S 4/2015 Levine et al.
D733,090 S * 6/2015 Petersen D14/205
D736,174 S * 8/2015 Levine D14/205
D736,175 S 8/2015 Levine et al.

D741,842 S 10/2015 Levine et al.
D762,190 S * 7/2016 Levine D14/205
D762,191 S * 7/2016 Levine D14/205

OTHER PUBLICATIONS

U.S. Appl. No. 14/821,643, filed Aug. 7, 2015, Levine, Jonathan E., et al.
U.S. Appl. No. 29/520,926, filed Mar. 18, 2015, Levine, Jonathan E et al.
U.S. Appl. No. 29/520,928, filed Mar. 18, 2015, Levine, Jonathan E., et al.
U.S. Appl. No. 29/532,363, filed Jul. 6, 2015, Levine, Jonathan E., et al.
U.S. Appl. No. 29/532,834, filed Jul. 10, 2015, Levine, Jonathan E., et al.
U.S. Appl. No. 29/532,871, filed Jul. 10, 2015, Levine, Jonathan E., et al.
U.S. Appl. No. 29/542,067, filed Oct. 9, 2015, Levine, Jonathan E., et al.
Non-Final Office Action for Design U.S. Appl. No. 29/481,794, mailed Dec. 9, 2014, U.S. Patent and Trademark Office, 8 pages.
Non-Final Office Action for Design U.S. Appl. No. 29/481,796, mailed Nov. 25, 2014, U.S. Patent and Trademark Office, 8 pages.
Notice of Allowance for Design U.S. Appl. No. 29/481,787, mailed Dec. 10, 2014, U.S. Patent and Trademark Office, 11 pages.
Notice of Allowance for Design U.S. Appl. No. 29/481,791, mailed Dec. 3, 2014, U.S. Patent and Trademark Office, 8 pages.
Notice of Allowance for Design U.S. Appl. No. 29/481,794, mailed Apr. 17, 2015, U.S. Patent and Trademark Office, 6 pages.
Notice of Allowance for Design U.S. Appl. No. 29/481,796, mailed Apr. 10, 2015, U.S. Patent and Trademark Office, 5 pages.
Notice of Allowance for Design U.S. Appl. No. 29/495,943, mailed Jun. 24, 2015, U.S. Patent and Trademark Office, 18 pages.

* cited by examiner



Fig. 1



Fig. 2



Fig. 3

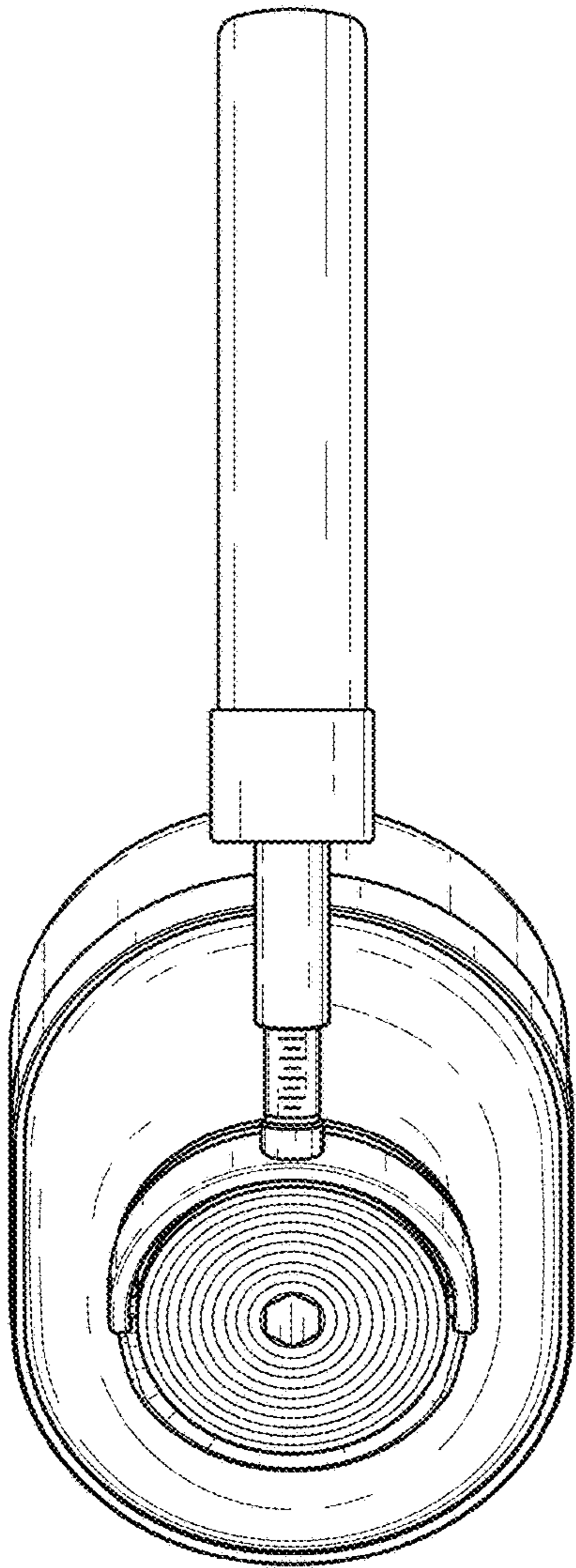


Fig. 4

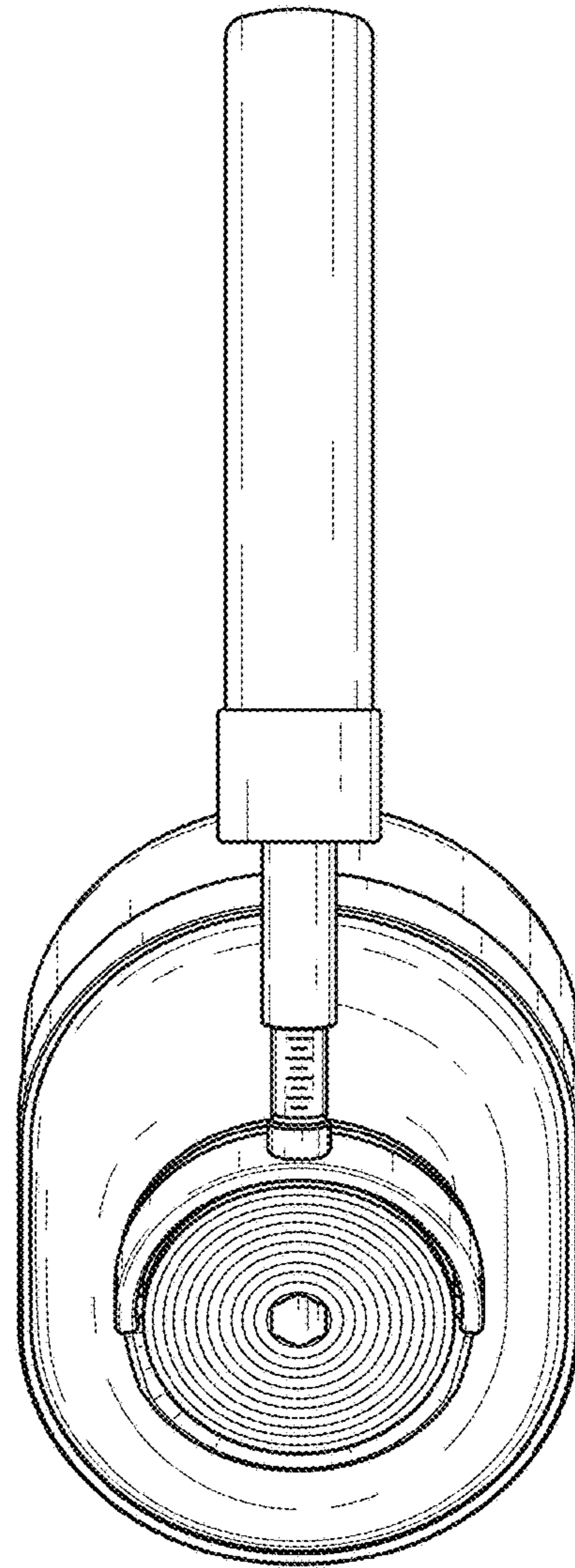


Fig. 5

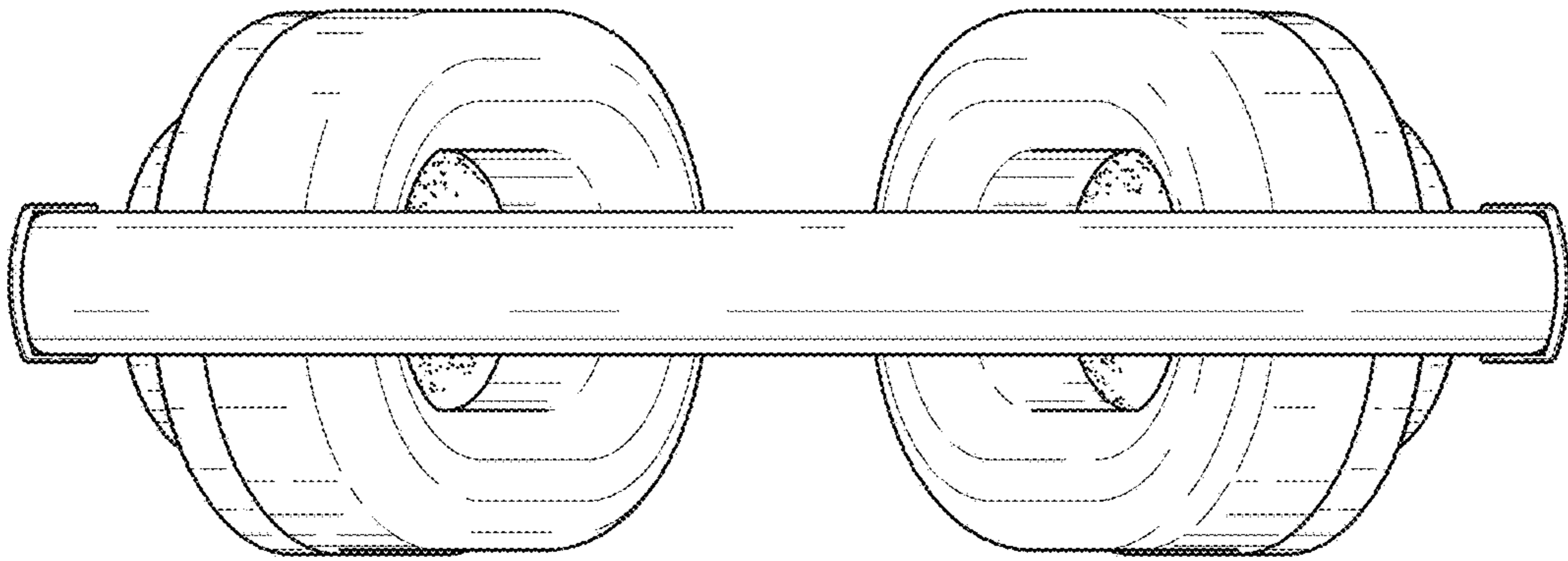


Fig. 6

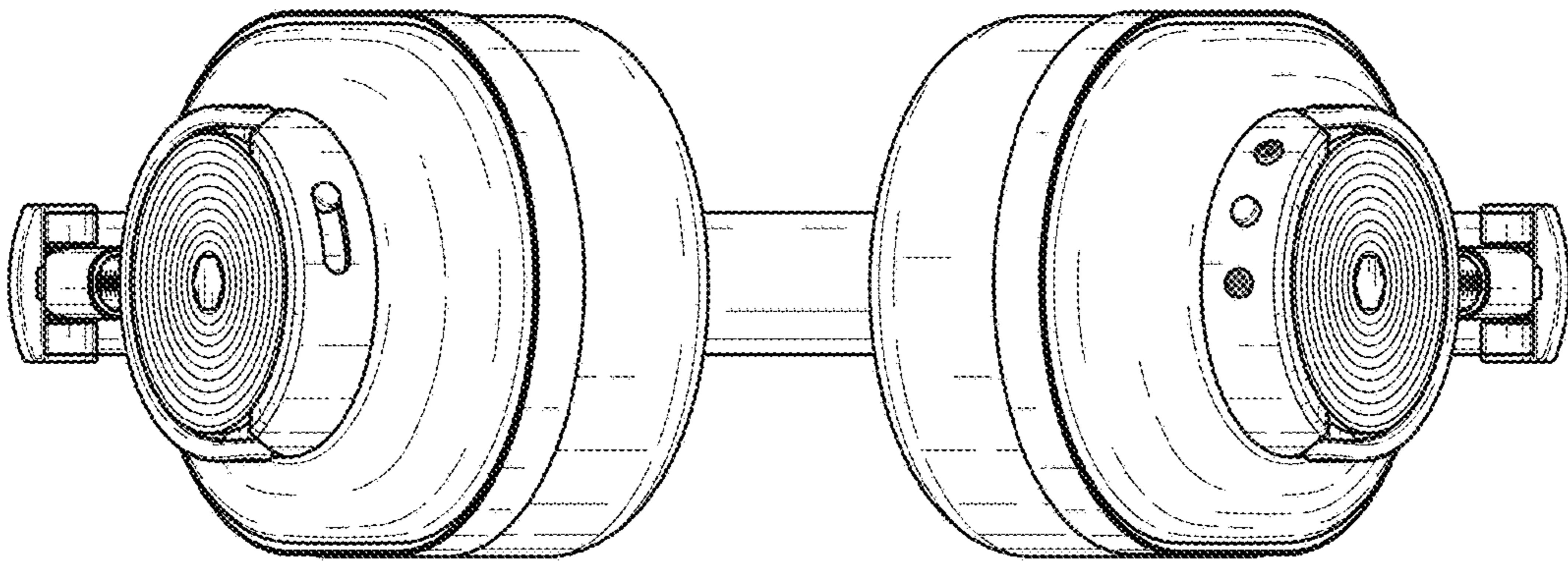


Fig. 7