



US00D781264S

(12) **United States Design Patent**
Kim et al.

(10) **Patent No.:** **US D781,264 S**
(45) **Date of Patent:** **** Mar. 14, 2017**

(54) **SPEAKER**

(71) Applicant: **Samsung Electronics Co., Ltd.**,
Suwon-si, Gyeonggi-do (KR)
(72) Inventors: **Junse Kim**, Seoul (KR); **James Chung**,
Gwacheon-si (KR); **Taejoong Kim**,
Goyang-si (KR)
(73) Assignee: **SAMSUNG ELECTRONICS CO.,**
LTD., Gyeonggi-Do (KR)

(**) Term: **15 Years**

(21) Appl. No.: **29/555,336**

(22) Filed: **Feb. 20, 2016**

(30) **Foreign Application Priority Data**

Sep. 2, 2015 (KR) 30-2015-0044432

(51) **LOC (10) Cl.** **14-01**

(52) **U.S. Cl.**
USPC **D14/204**

(58) **Field of Classification Search**

USPC D14/167, 168, 170-172, 188, 204, 210,
D14/214; 181/143, 144, 148, 153, 157;
369/6-12; 381/300-303, 361-364, 366,
381/386-388

CPC G06F 1/1688; G10K 9/22; H04N 5/64;
H04R 1/02; H04R 1/021; H04R 1/025;
H04R 1/026; H04R 1/028; H04R 1/403;
H04R 1/2803; H04R 1/2834; H04R 5/02;
H04R 9/06; H04R 19/013; H04R
2201/021; H04R 2400/00; H04R 2499/11;
H05K 5/00; H05K 5/0086

See application file for complete search history.

(56) **References Cited**

U.S. PATENT DOCUMENTS

D372,918 S *	8/1996	Manganese	D14/204
D392,966 S *	3/1998	Lee	D14/135
D462,065 S *	8/2002	Silverstein	D14/214
D553,155 S *	10/2007	Kim	D14/496
D571,749 S *	6/2008	Barnett	D14/126
D579,952 S *	11/2008	Yamada	D14/496
D587,237 S *	2/2009	Son	D14/168
D625,288 S *	10/2010	Ueda	D14/168
D636,378 S *	4/2011	Ohashi	D14/168
D671,909 S *	12/2012	Choi	D14/188
2009/0092275 A1 *	4/2009	Huang	H04R 5/02 381/386

* cited by examiner

Primary Examiner — Ian Simmons

Assistant Examiner — Janice Lim

(74) *Attorney, Agent, or Firm* — Cantor Colburn, LLP

(57) **CLAIM**

The ornamental design for a speaker, as shown and described.

DESCRIPTION

FIG. 1 is a front perspective view of a speaker showing our new design;

FIG. 2 is a front view thereof;

FIG. 3 is a rear view thereof;

FIG. 4 is a left side view thereof;

FIG. 5 is a right side view thereof;

FIG. 6 is a top plan view thereof;

FIG. 7 is a bottom plan view thereof; and,

FIG. 8 is a rear perspective view thereof.

The broken line portions show unclaimed subject matter only and form no part of the claimed design.

1 Claim, 5 Drawing Sheets

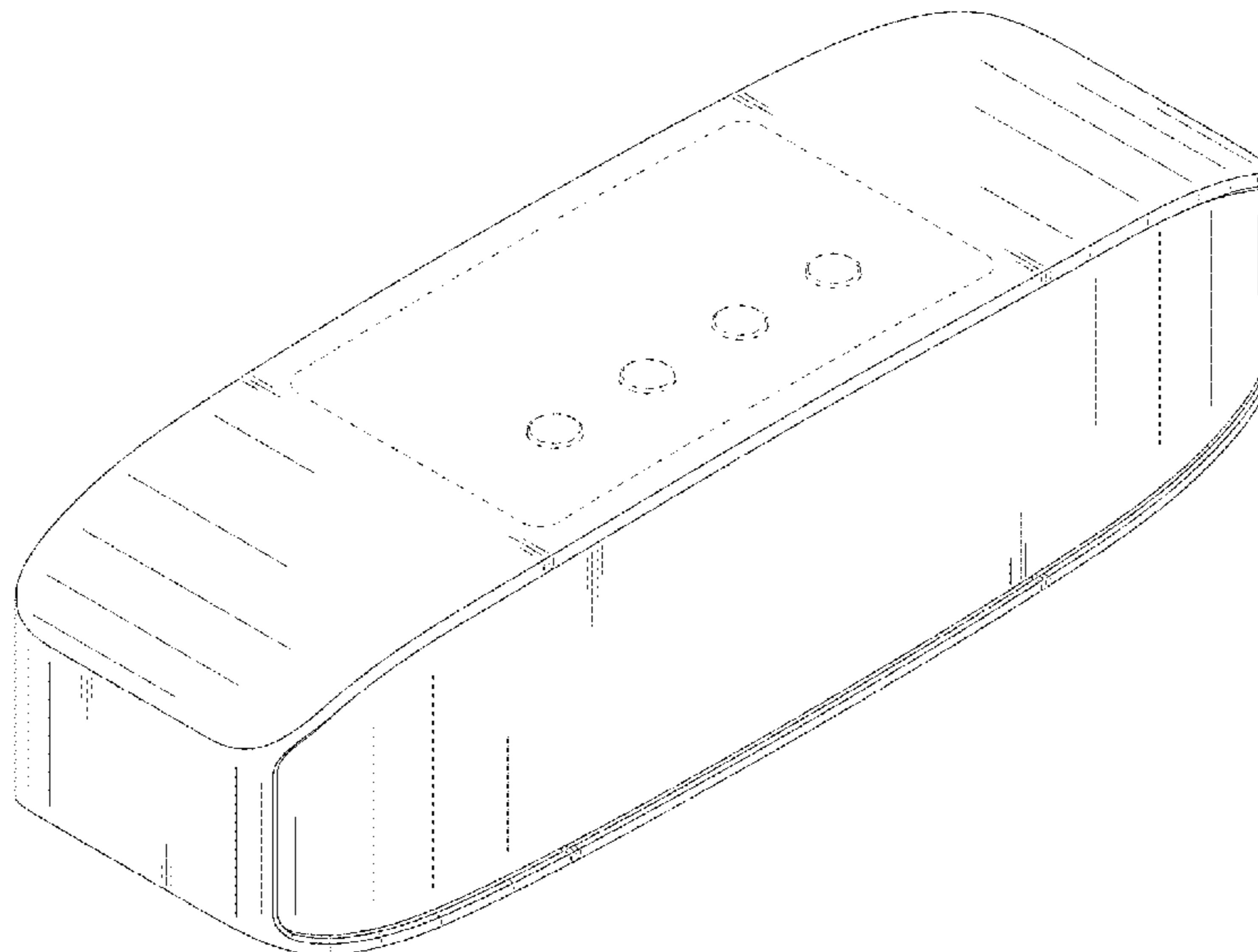


FIG. 1

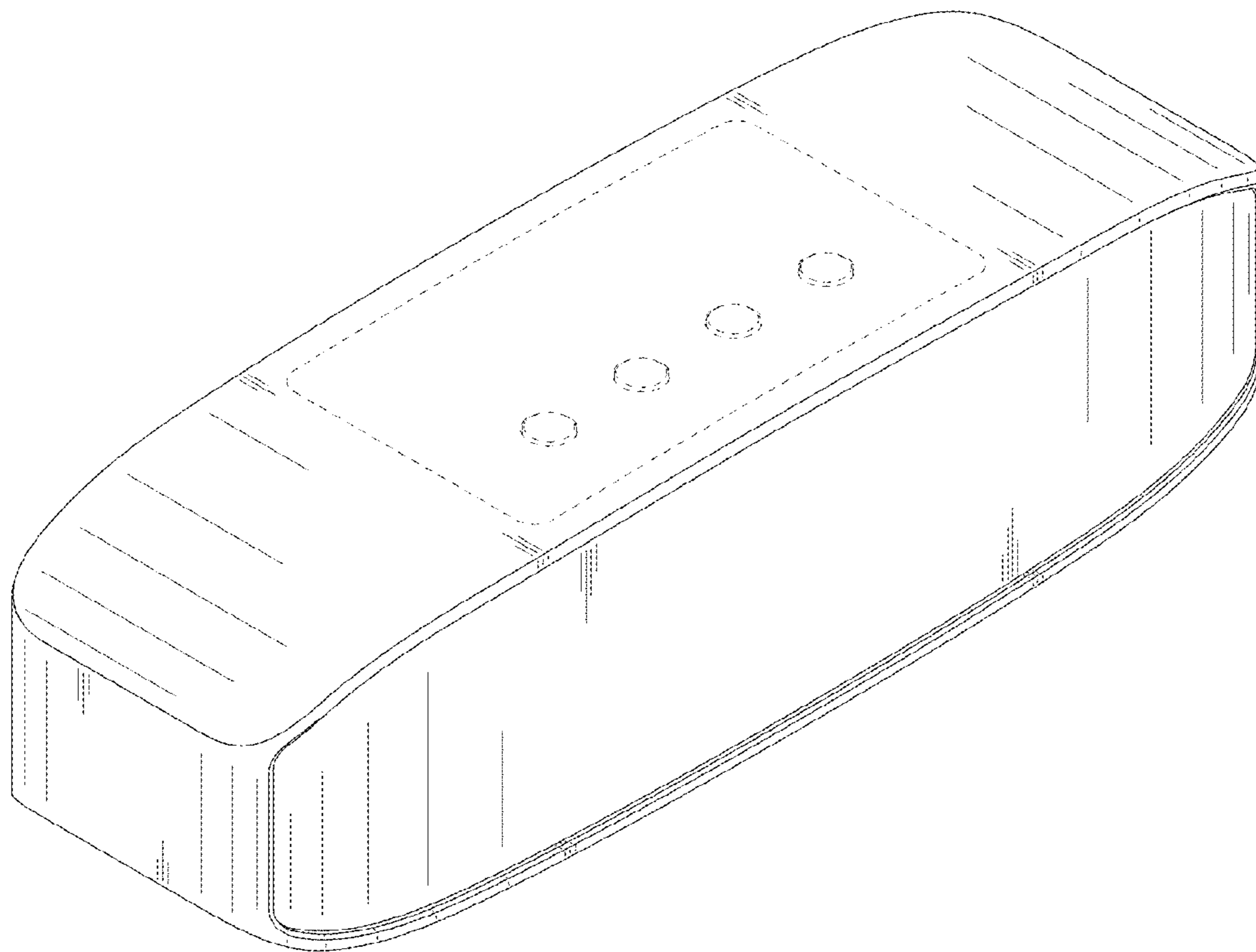


FIG. 2

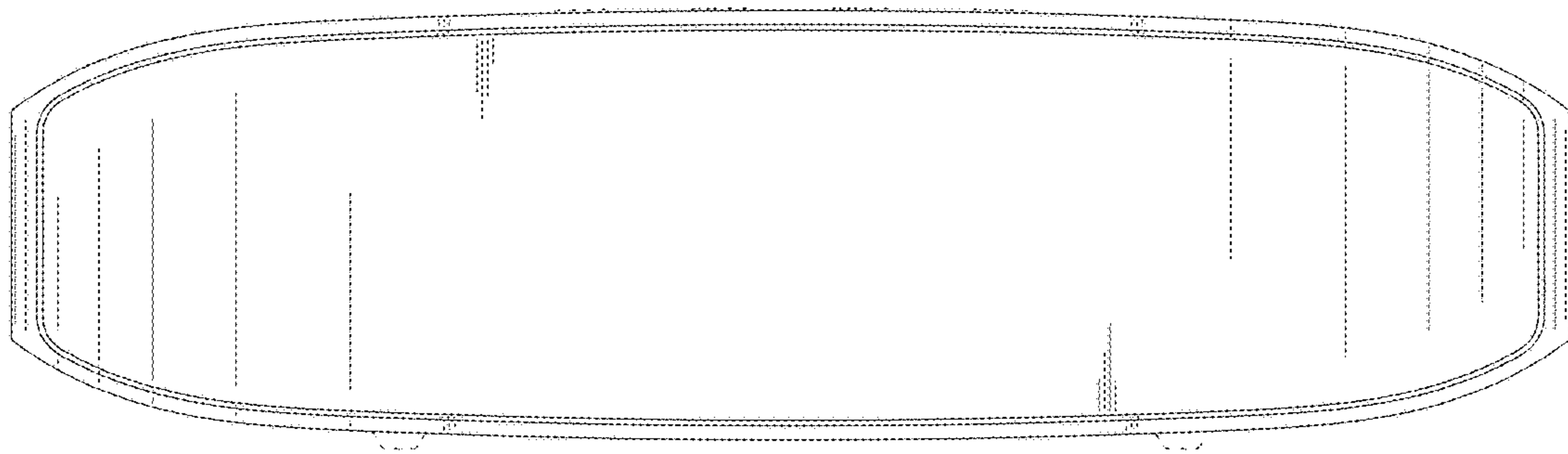


FIG. 3

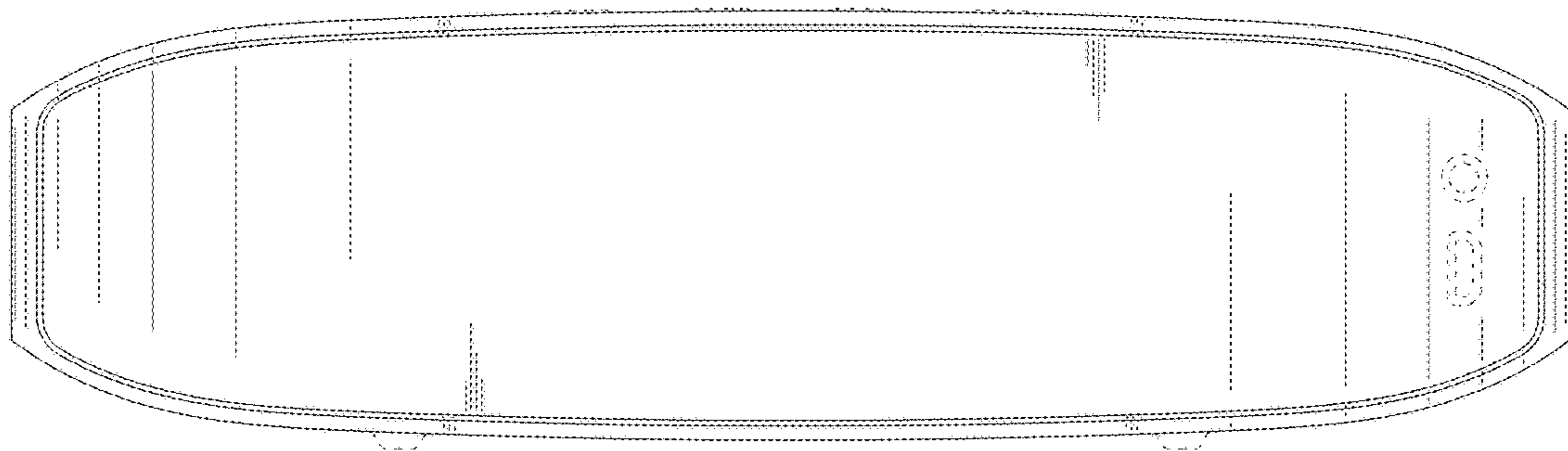


FIG. 4

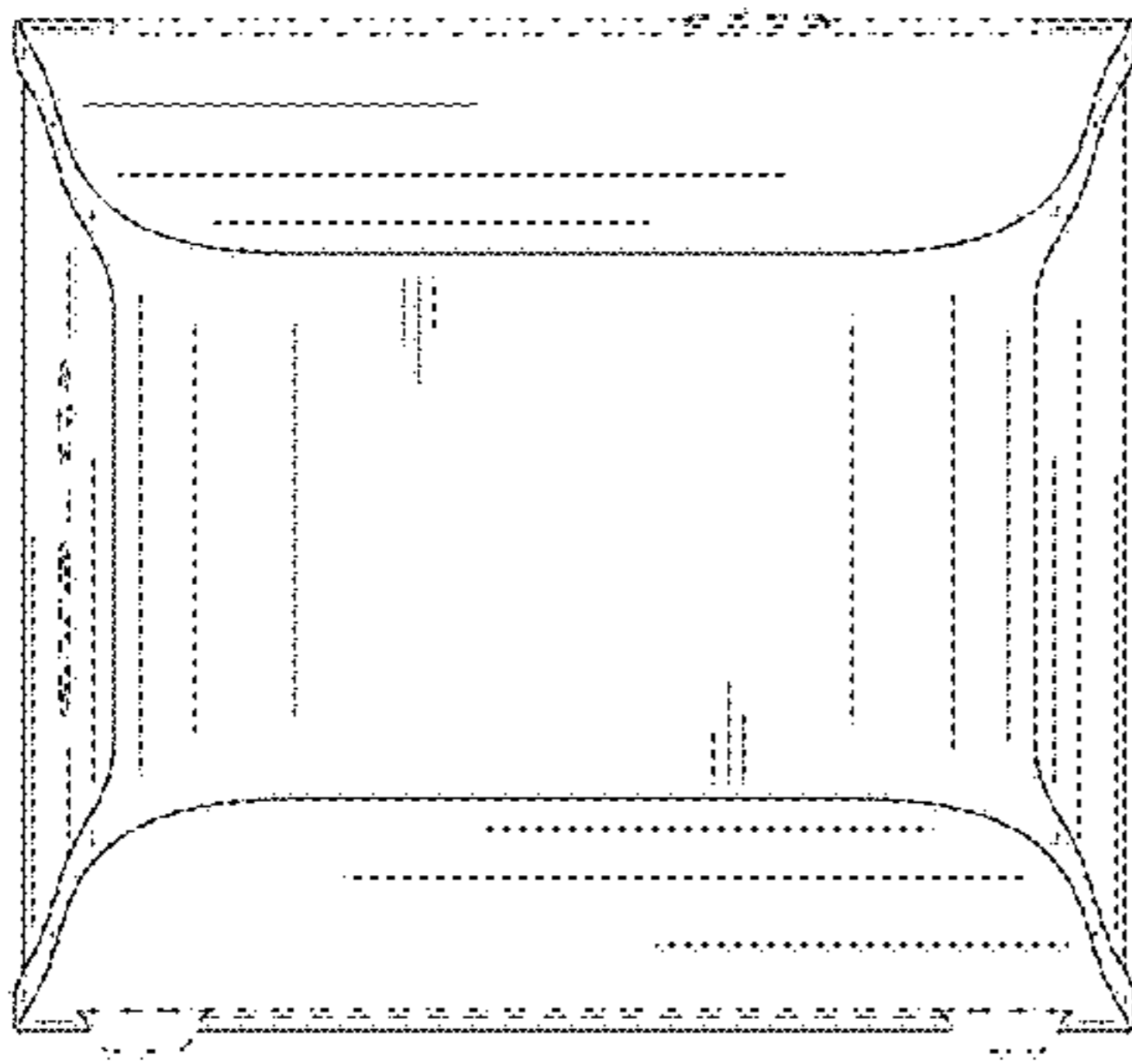


FIG. 5

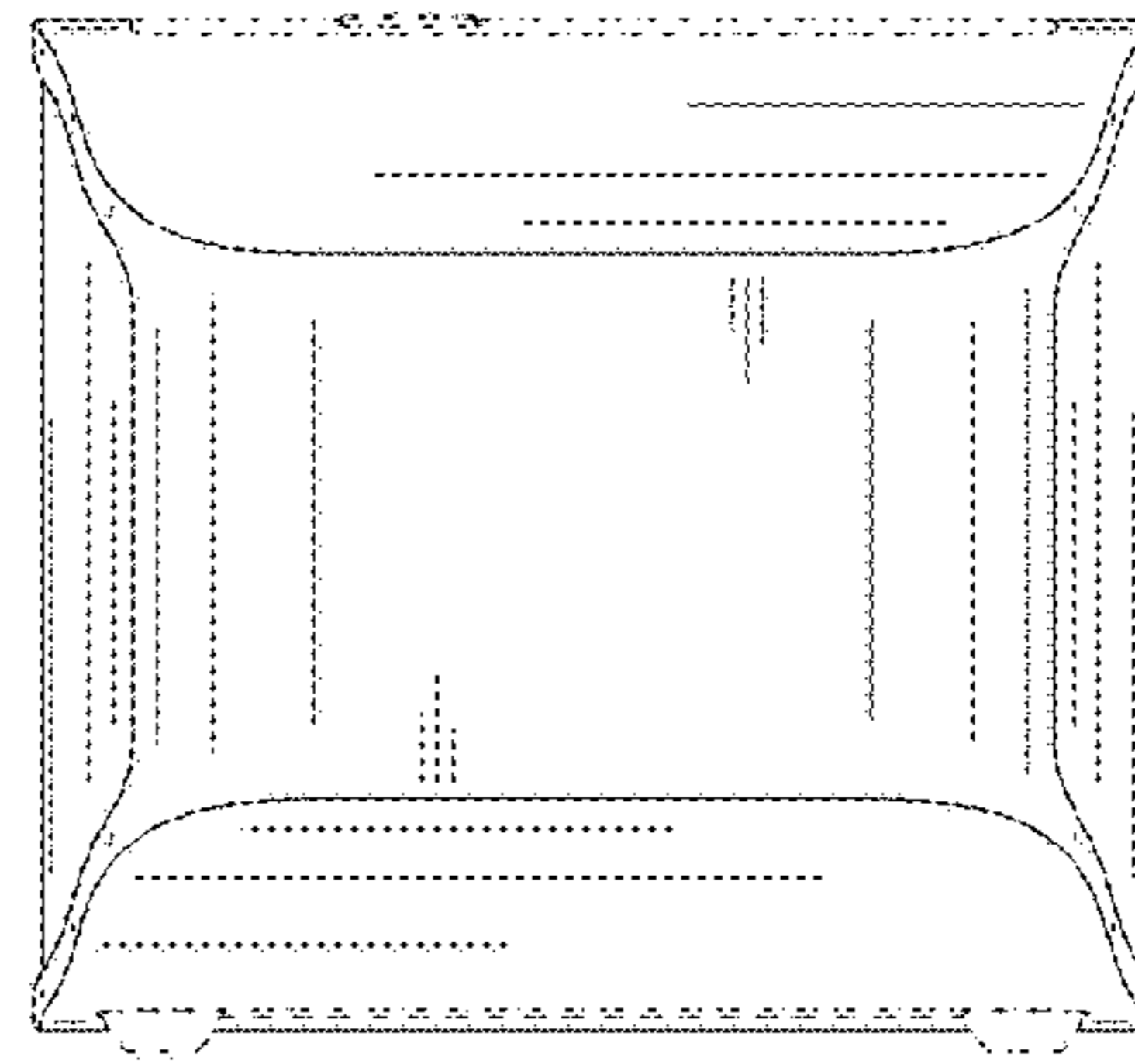


FIG. 6

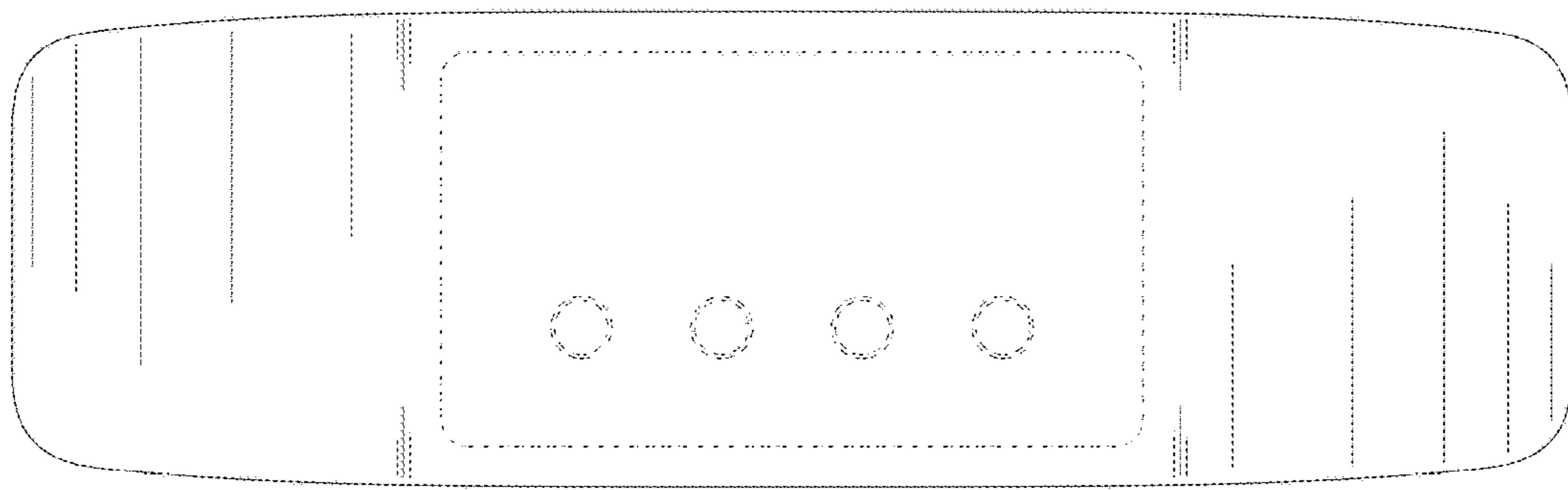


FIG. 7



FIG. 8

