



US00D781255S

(12) **United States Design Patent** (10) **Patent No.:** **US D781,255 S**
Kuriki (45) **Date of Patent:** **** Mar. 14, 2017**

(54) **LIGHT EMITTING DIODE**

(56) **References Cited**

(71) Applicants: **CITIZEN ELECTRONICS CO., LTD.**, Fujiyoshida-shi, Yamanashi (JP); **CITIZEN WATCH CO., LTD.**, Tokyo (JP)

U.S. PATENT DOCUMENTS

D603,813 S	11/2009	Nishimura
8,154,037 B2	4/2012	Kadotani
D676,000 S	2/2013	Hussell
D676,395 S	2/2013	Hussell
D682,224 S	5/2013	Sasano
8,530,920 B2	9/2013	Tsai

(Continued)

(72) Inventor: **Shingo Kuriki**, Fujiyoshida (JP)

(73) Assignees: **Citizen Electronics Co., Ltd.**, Yamanashi (JP); **Citizen Watch Co., Ltd.**, Tokyo (JP)

FOREIGN PATENT DOCUMENTS

JP	D1398227	10/2010
JP	2011108744	6/2011

(Continued)

(**) Term: **15 Years**

(21) Appl. No.: **29/553,232**

(22) Filed: **Jan. 29, 2016**

OTHER PUBLICATIONS

Entire patent prosecution history of U.S. Appl. No. 29/511,710, filed, Dec. 12, 2014, entitled, "Light Emitting Diode."

Related U.S. Application Data

(62) Division of application No. 29/511,710, filed on Dec. 12, 2014, now Pat. No. Des. 751,517.

Primary Examiner — Selina Sikder

(74) *Attorney, Agent, or Firm* — RatnerPrestia

(30) **Foreign Application Priority Data**

Jun. 16, 2014	(JP)	2014-012979
Jun. 16, 2014	(JP)	2014-012981

(57) **CLAIM**

The ornamental design for a light emitting diode, as shown and described.

(51) **LOC (10) Cl.** **13-03**

(52) **U.S. Cl.**
USPC **D13/180**

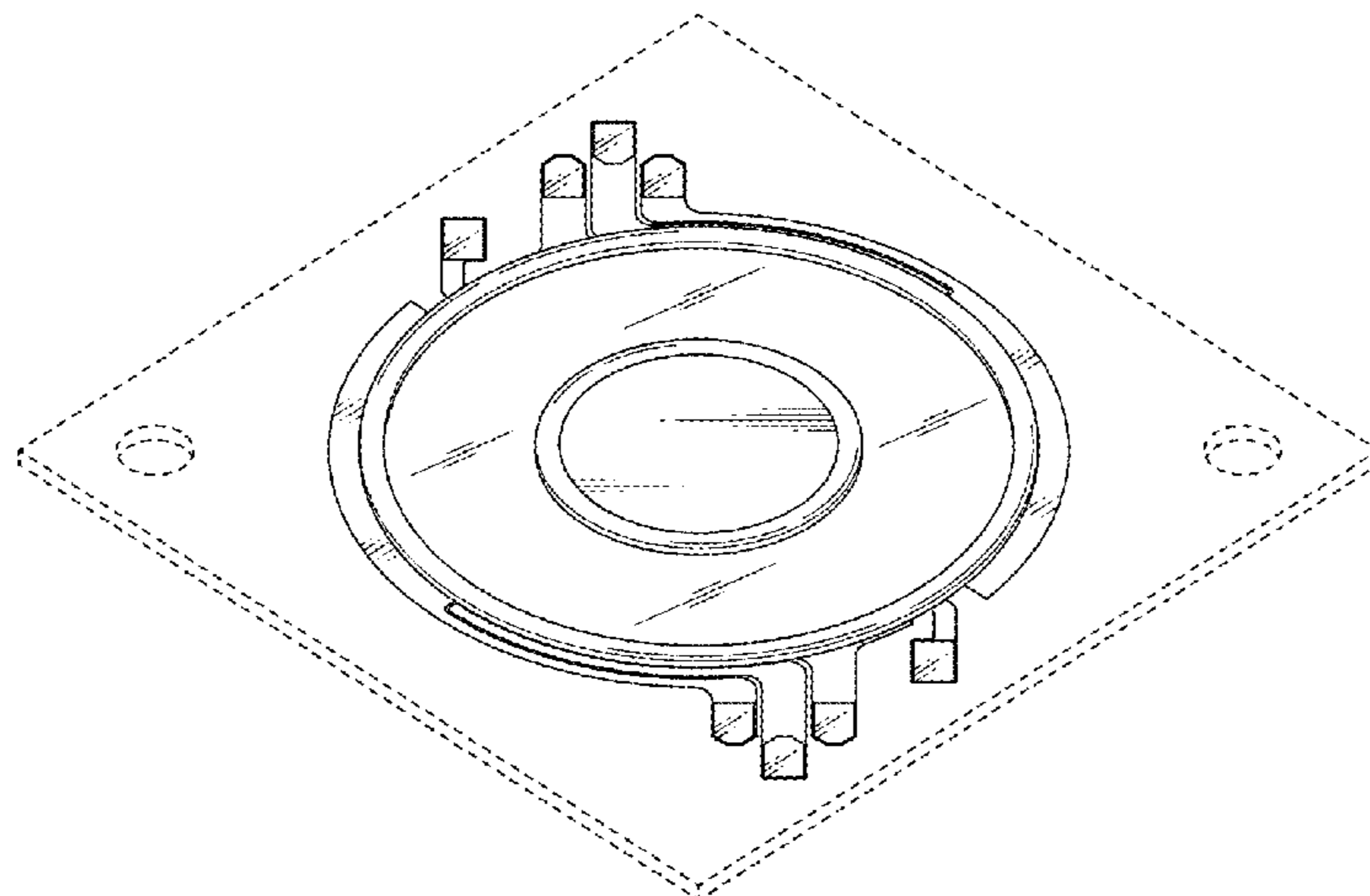
DESCRIPTION

FIG. 1 is a perspective view of a light emitting diode; FIG. 2 is a top plan view thereof; FIG. 3 is a front view thereof; FIG. 4 is a rear view thereof; FIG. 5 is a left side elevational view thereof; FIG. 6 is a right side elevational view thereof; and, FIG. 7 is a bottom plan view thereof. The broken lines shown in the drawings are for illustrative purposes only and form no part of the claimed design.

(58) **Field of Classification Search**
USPC D13/180; D26/1
CPC ... H01L 25/167; H01L 25/0753; H01L 27/15;
H01L 27/156; H01L 31/02; H01L 33/00;
H01L 33/04; H01L 33/08; H01L 33/10;
H01L 33/20; H01L 33/38; H01L 33/42;
H01L 33/483; H01L 33/4868

See application file for complete search history.

1 Claim, 5 Drawing Sheets



(56)

References Cited

U.S. PATENT DOCUMENTS

D700,585	S	3/2014	Takeda	
D707,192	S	6/2014	Hussell	
8,772,819	B2	7/2014	Hwu	
8,833,966	B2	9/2014	Hsieh	
9,018,648	B2	4/2015	Chiu	
9,018,832	B2	4/2015	Agatani	
9,024,334	B2	5/2015	Agatani	
9,029,905	B2	5/2015	Lin	
9,059,376	B2	6/2015	Chou	
9,130,140	B2	9/2015	Tsuchiya	
9,133,990	B2	9/2015	Lee	
9,146,026	B2	9/2015	Funakubo	
D751,045	S *	3/2016	Kuriki	D13/180
D751,046	S *	3/2016	Kuriki	D13/180
D751,517	S *	3/2016	Kuriki	D13/180
2011/0050071	A1	3/2011	Chung	
2011/0116252	A1	5/2011	Agatani	
2012/0097997	A1	4/2012	Chung	
2012/0268929	A1	10/2012	Chung	
2014/0098529	A1	4/2014	Hata	

FOREIGN PATENT DOCUMENTS

JP	2012142428	7/2012
JP	2012142429	7/2012
JP	2013051375	3/2013
JP	D1492649	3/2014
JP	D1492808	3/2014
TW	201108390	3/2011
TW	201218430	5/2012
WO	2012165007	12/2012

* cited by examiner

FIG 1

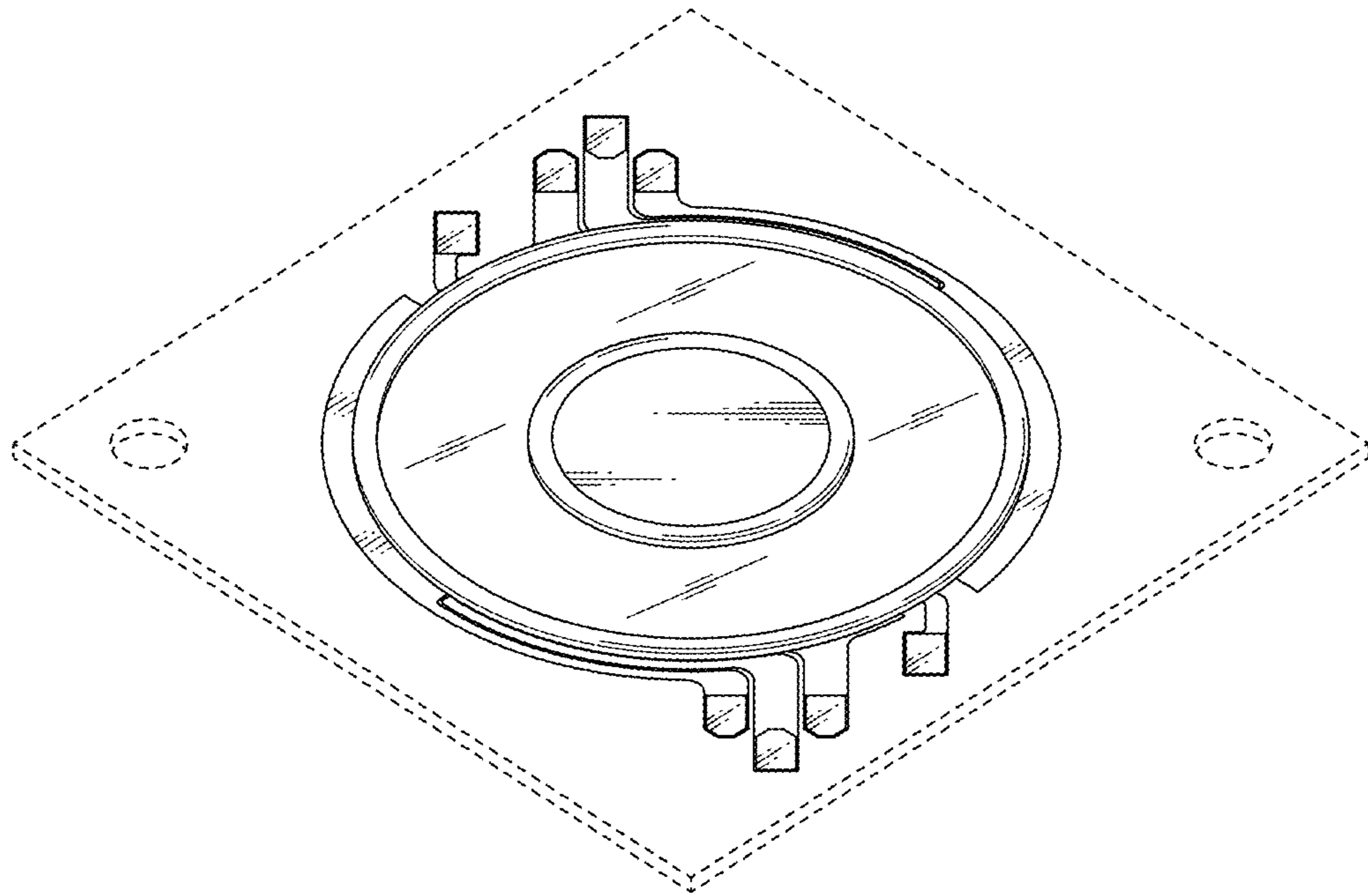


FIG. 2

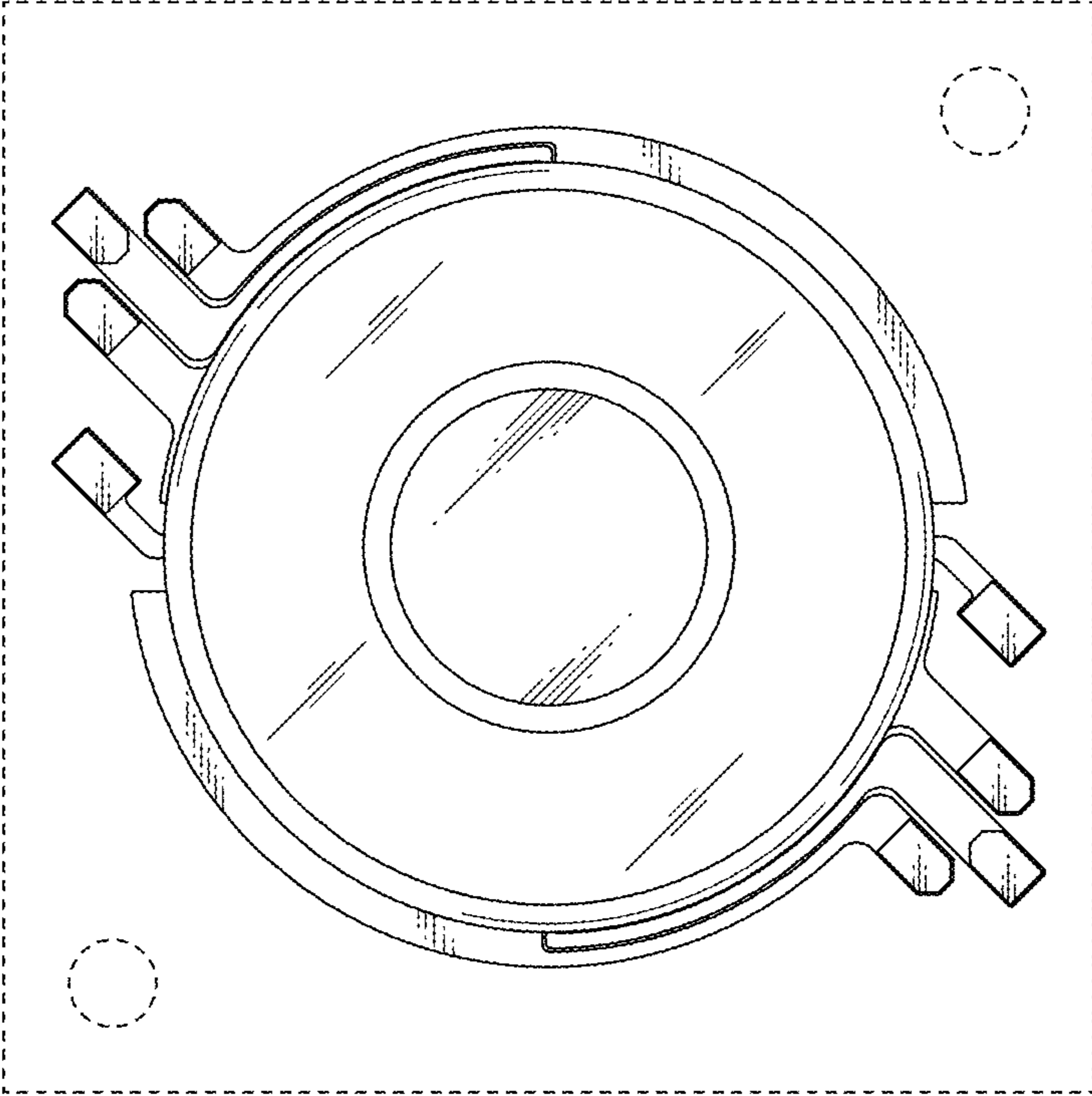


FIG. 3

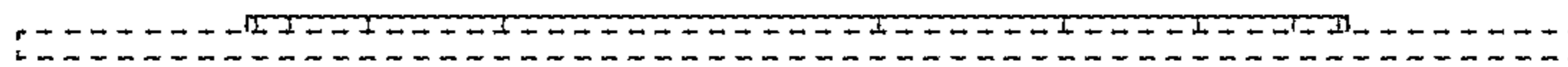


FIG. 4

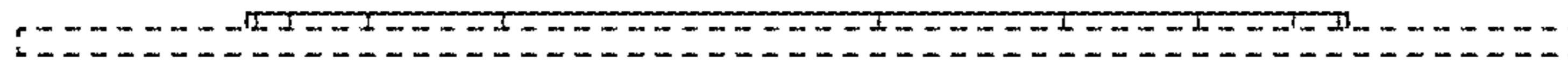


FIG. 5

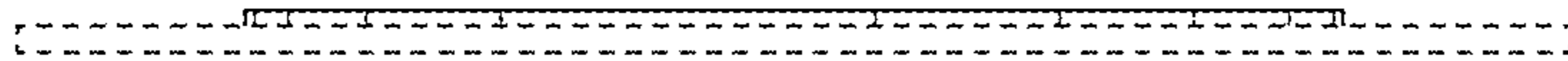


FIG. 6



FIG. 7

