



US00D781254S

(12) **United States Design Patent**
Yeh et al.

(10) **Patent No.:** **US D781,254 S**
(45) **Date of Patent:** **** Mar. 14, 2017**

(54) **LIGHT-EMITTING DIODE ARRAY**
(71) Applicant: **EPISTAR CORPORATION**, Hsinchu (TW)
(72) Inventors: **Hui-Chun Yeh**, Hsinchu (TW);
Chien-Fu Shen, Hsinchu (TW);
Tsun-Kai Ko, Hsinchu (TW)
(73) Assignee: **EPISTAR CORPORATION**, Hsinchu (TW)
(**) Term: **15 Years**

(21) Appl. No.: **29/553,203**

(22) Filed: **Jan. 29, 2016**

(30) **Foreign Application Priority Data**

Jul. 31, 2015 (TW) 104304105

(51) **LOC (10) Cl.** **13-03**

(52) **U.S. Cl.**
USPC **D13/180**

(58) **Field of Classification Search**
USPC D13/180; D26/1
CPC ... H01L 25/167; H01L 25/0753; H01L 27/15;
H01L 27/156; H01L 31/02; H01L 33/00;
H01L 33/04; H01L 33/08; H01L 33/10;
H01L 33/20; H01L 33/38; H01L 33/42;
H01L 33/48; H01L 33/483; H01L 33/486;
H01L 33/52; H01L 33/54; H01L 33/56;
F21K 9/135; F21K 9/30; F21K 9/50
See application file for complete search history.

(56) **References Cited**

U.S. PATENT DOCUMENTS

D681,559 S * 5/2013 Shen D13/180
D681,560 S * 5/2013 Shen D13/180

D681,569 S * 5/2013 Yeh D13/180
D684,550 S * 6/2013 Yeh D13/180
8,546,840 B2 * 10/2013 Inoue H01L 33/38
257/99
D697,490 S * 1/2014 Yeh D13/180
D716,238 S * 10/2014 Yeh D13/180
D728,494 S * 5/2015 Yeh D13/180
D748,592 S * 2/2016 Yeh D13/180
9,373,751 B2 * 6/2016 Sato H01L 33/36
9,472,724 B2 * 10/2016 Emura H01L 33/38
2005/0212002 A1 * 9/2005 Sanga H01L 33/20
257/96
2011/0215363 A1 * 9/2011 Kimura H01L 33/36
257/99
2011/0272730 A1 * 11/2011 Bae H01L 33/38
257/99

(Continued)

Primary Examiner — Selina Sikder

(74) *Attorney, Agent, or Firm* — Muncy, Geissler, Olds & Lowe, P.C.

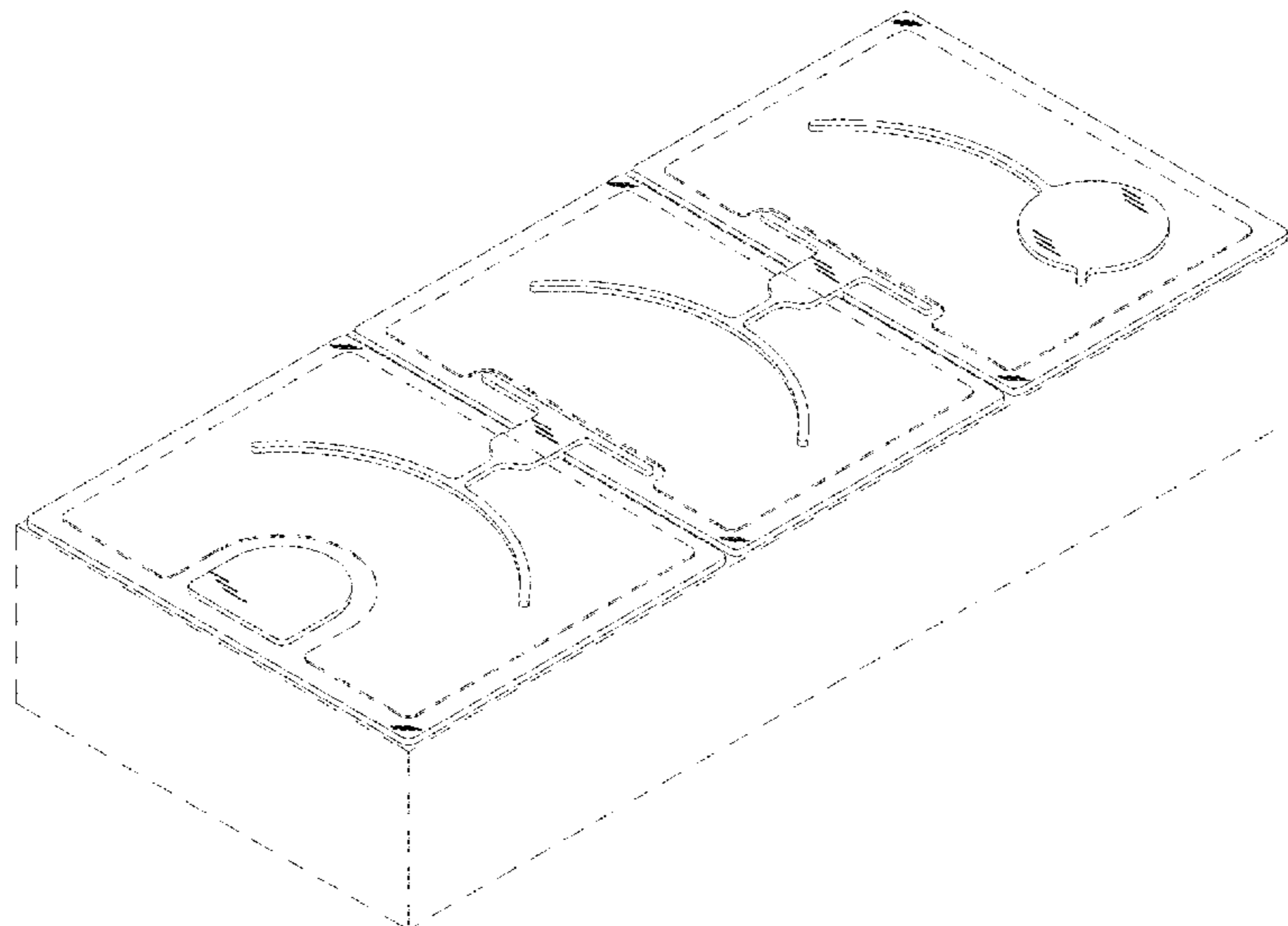
(57) **CLAIM**

The ornamental design for a light-emitting diode array, as shown and described.

DESCRIPTION

FIG. 1 is a perspective view of a light-emitting diode array showing an example of the new design; FIG. 2 is another perspective view thereof; FIG. 3 is a front elevational view thereof; FIG. 4 is a rear elevational view thereof; FIG. 5 is a left side view thereof; FIG. 6 is a right side view thereof; FIG. 7 is a top plan view thereof; and, FIG. 8 is a bottom plan view thereof. The broken line showing is for the purpose of illustrating environmental structure only and forms no part of the claimed design.

1 Claim, 6 Drawing Sheets



(56)

References Cited

U.S. PATENT DOCUMENTS

2012/0018766 A1* 1/2012 Emura H01L 33/38
257/99

* cited by examiner

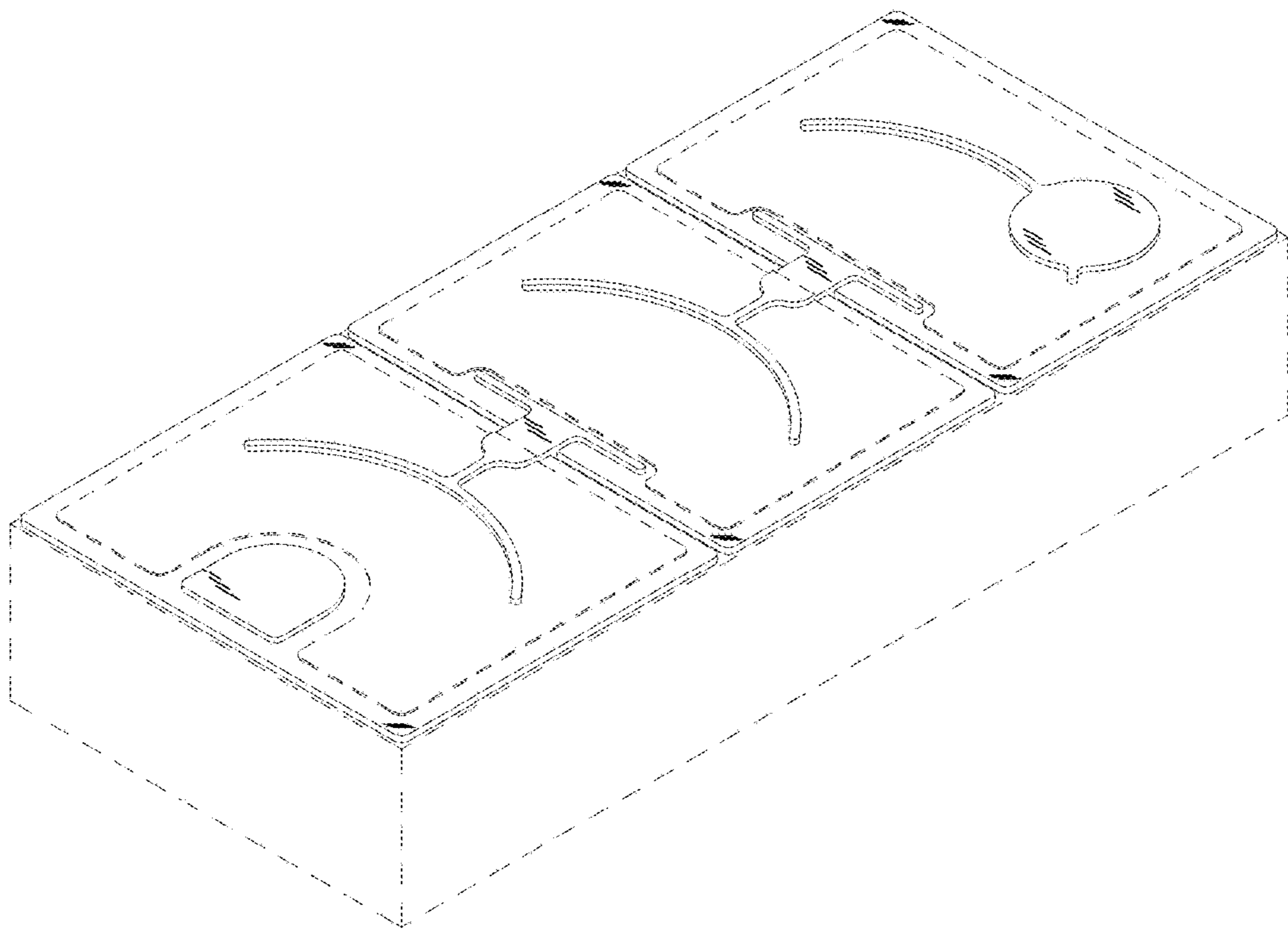


FIG. 1

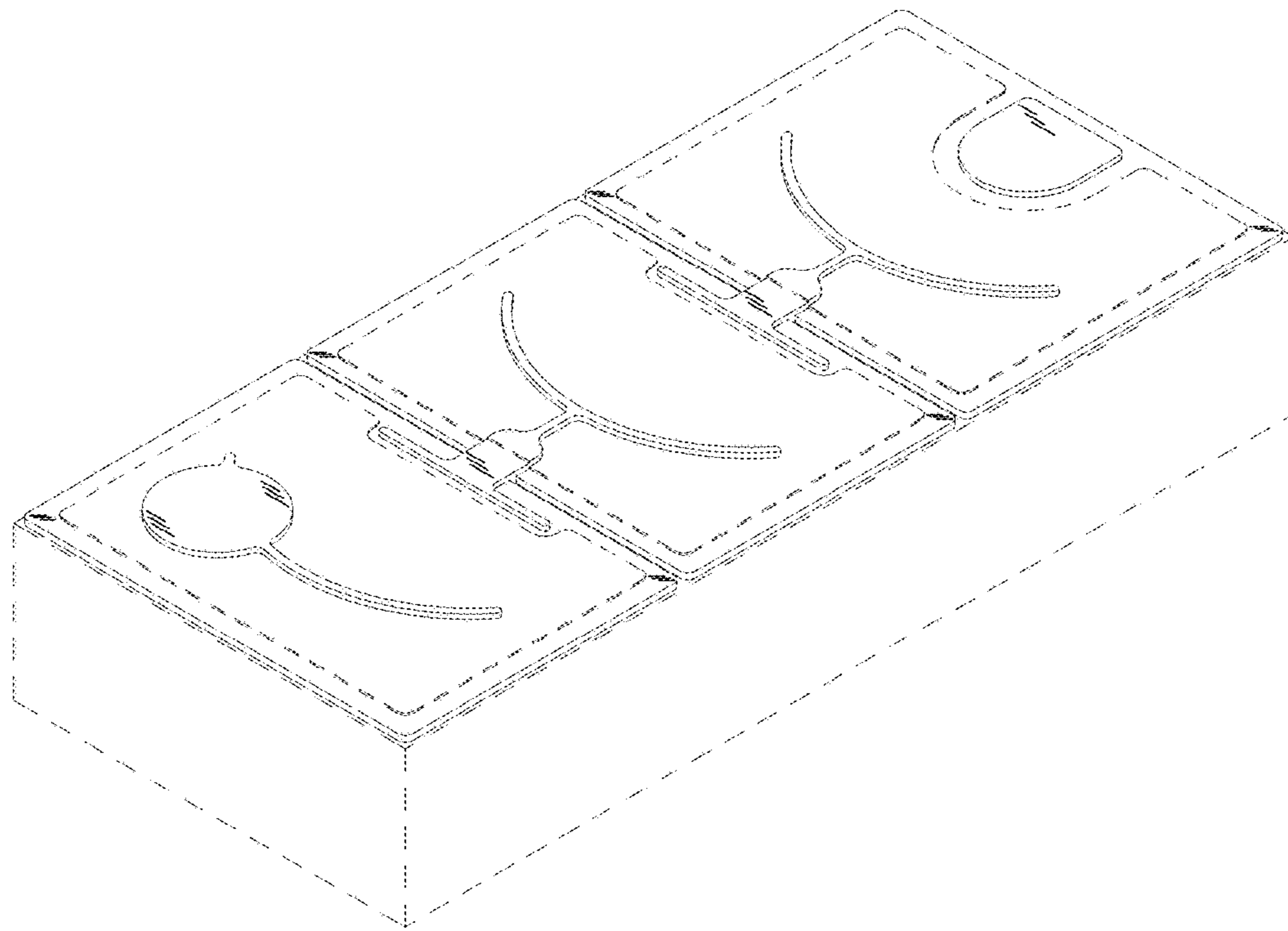


FIG. 2

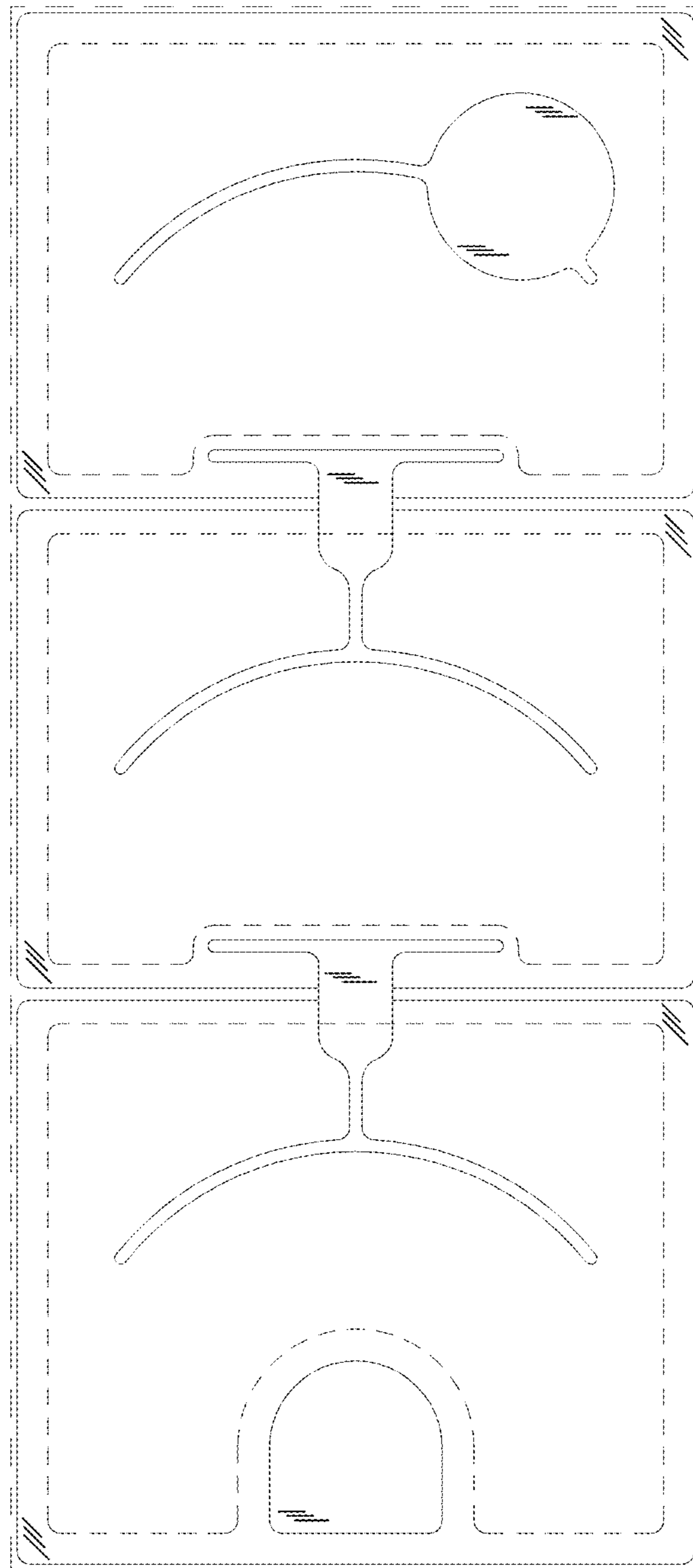


FIG. 3



FIG. 4

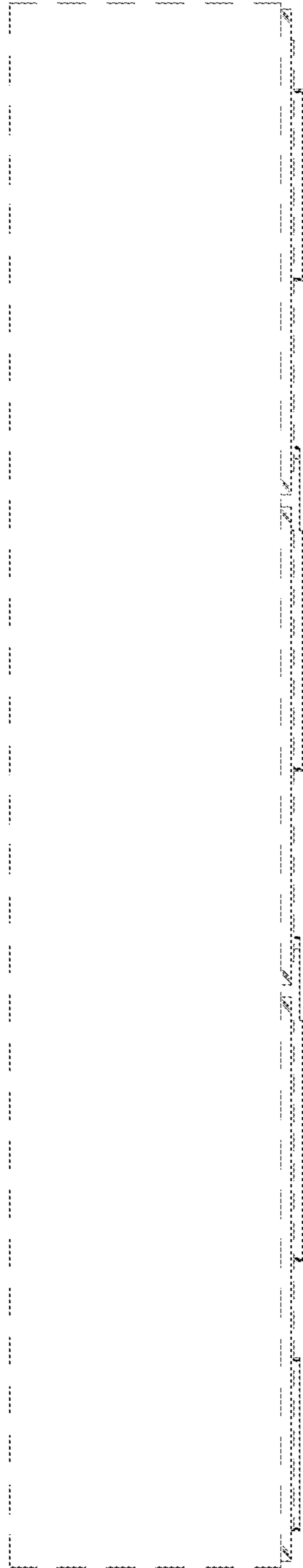


FIG. 5

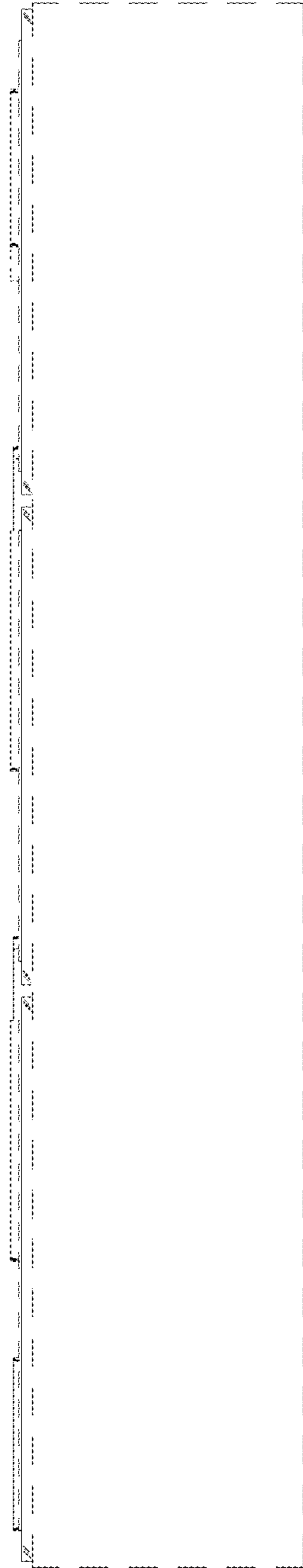


FIG. 6

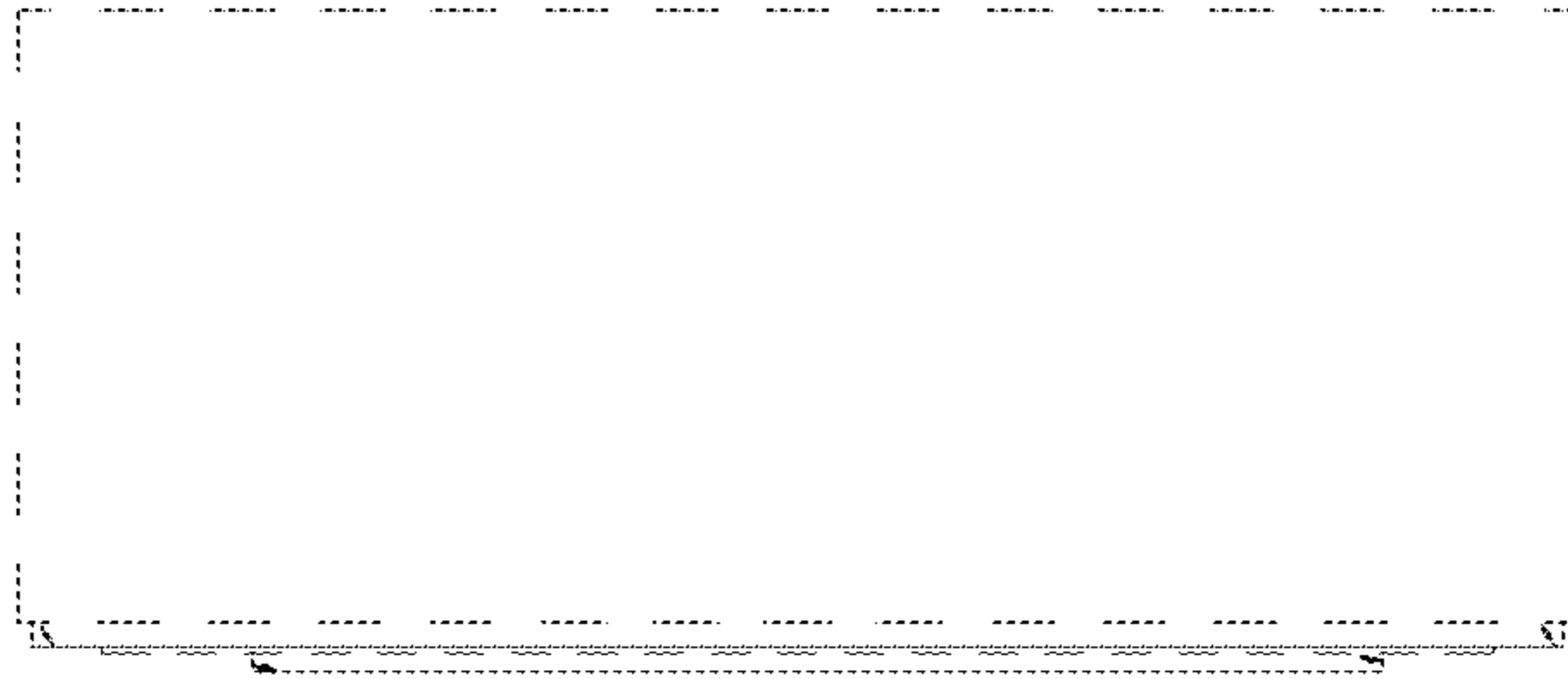


FIG. 7



FIG. 8