



US00D781253S

(12) **United States Design Patent**
Tio

(10) **Patent No.:** **US D781,253 S**
(45) **Date of Patent:** **** Mar. 14, 2017**

(54) **CONTROL MODULE COOLING FAN**

(71) Applicant: **Rockwell Automation Technologies, Inc.**, Mayfield Heights, OH (US)

(72) Inventor: **Donald Yuen Leong Tio**, Singapore (SG)

(73) Assignee: **Rockwell Automation Technologies, Inc.**, Mayfield Heights, OH (US)

(**) Term: **14 Years**

(21) Appl. No.: **29/519,538**

(22) Filed: **Mar. 5, 2015**

(51) **LOC (10) Cl.** **13-03**

(52) **U.S. Cl.**
USPC **D13/179**

(58) **Field of Classification Search**
USPC D13/110, 123, 162, 162.1, 179; 318/519, 318/600

(Continued)

(56) **References Cited**

U.S. PATENT DOCUMENTS

D631,436 S * 1/2011 Huang D13/110
8,072,174 B2 * 12/2011 Campbell G05B 19/0421
318/111

(Continued)

Primary Examiner — Selina Sikder

(74) *Attorney, Agent, or Firm* — Fletcher Yoder, P.C.

(57) **CLAIM**

The ornamental design for a control module cooling fan, as shown and described in FIGS. 1-19.

DESCRIPTION

FIG. 1 is a front top perspective view of a cooling fan disposed in a control module showing my new design;

FIG. 2 is another front top perspective view of the control module of FIG. 1;

FIG. 3 is a front top perspective view of the cooling fan disconnected from the control module of FIG. 1;

FIG. 4 is a front elevational view of the control module of FIG. 1;

FIG. 5 is a left side elevational view of the control module of FIG. 1;

FIG. 6 is a right side elevational view of the cooling fan disposed in the control module of FIG. 1;

FIG. 7 is a right side elevational view of the control module of FIG. 1 with the cooling fan removed;

FIG. 8 is a top plan view of the control module of FIG. 1;

FIG. 9 is a bottom plan view of the control module of FIG. 1;

FIG. 10 is a rear elevational view of the control module of FIG. 1;

FIG. 11 is a front top perspective view of a cooling fan showing my new design.

FIG. 12 is a rear top perspective view of the cooling fan of FIG. 11;

FIG. 13 is a front bottom perspective view of the cooling fan of FIG. 11;

FIG. 14 is a front elevational view of the cooling fan of FIG. 11;

FIG. 15 is a rear elevational view of the cooling fan of FIG. 11;

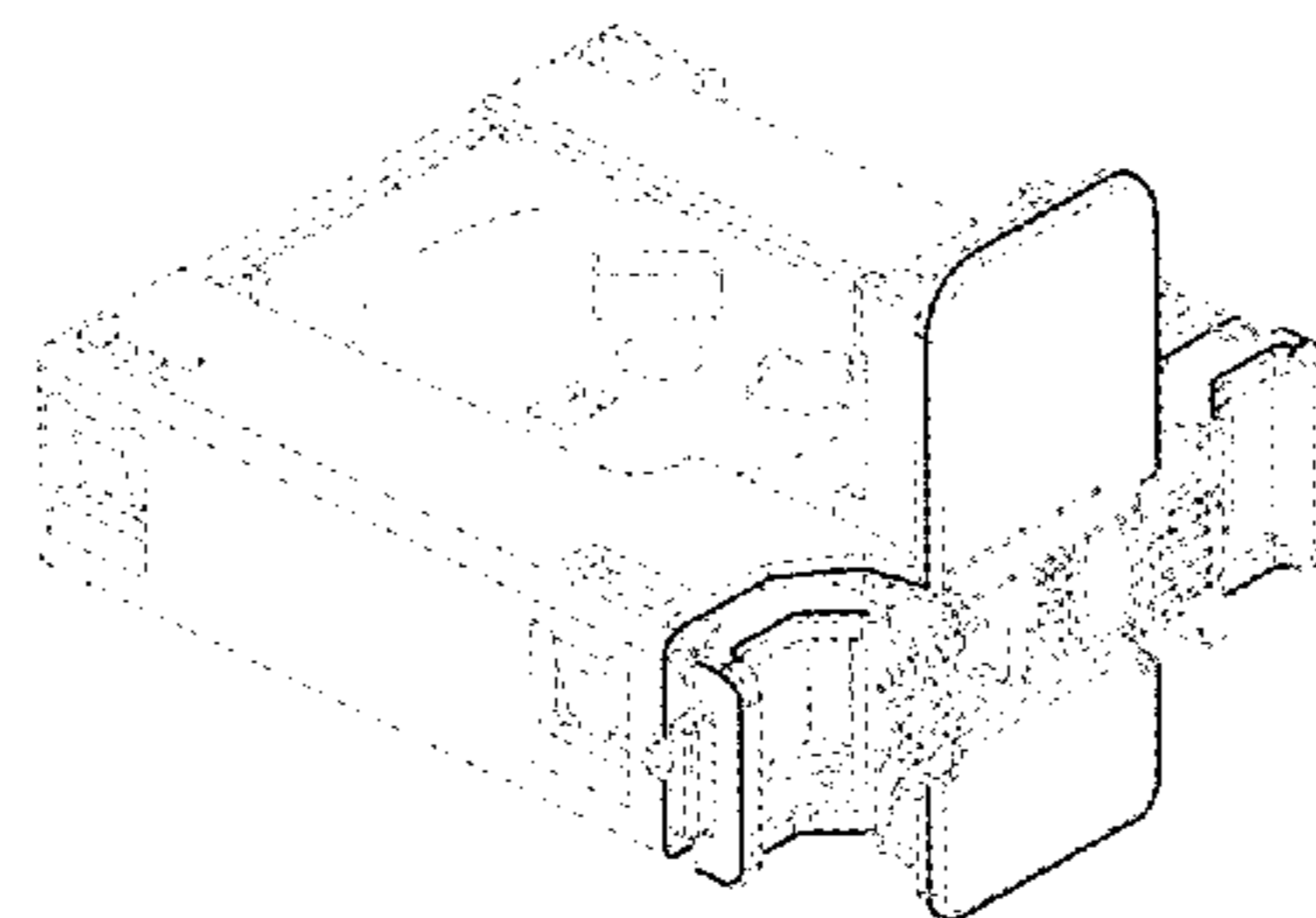
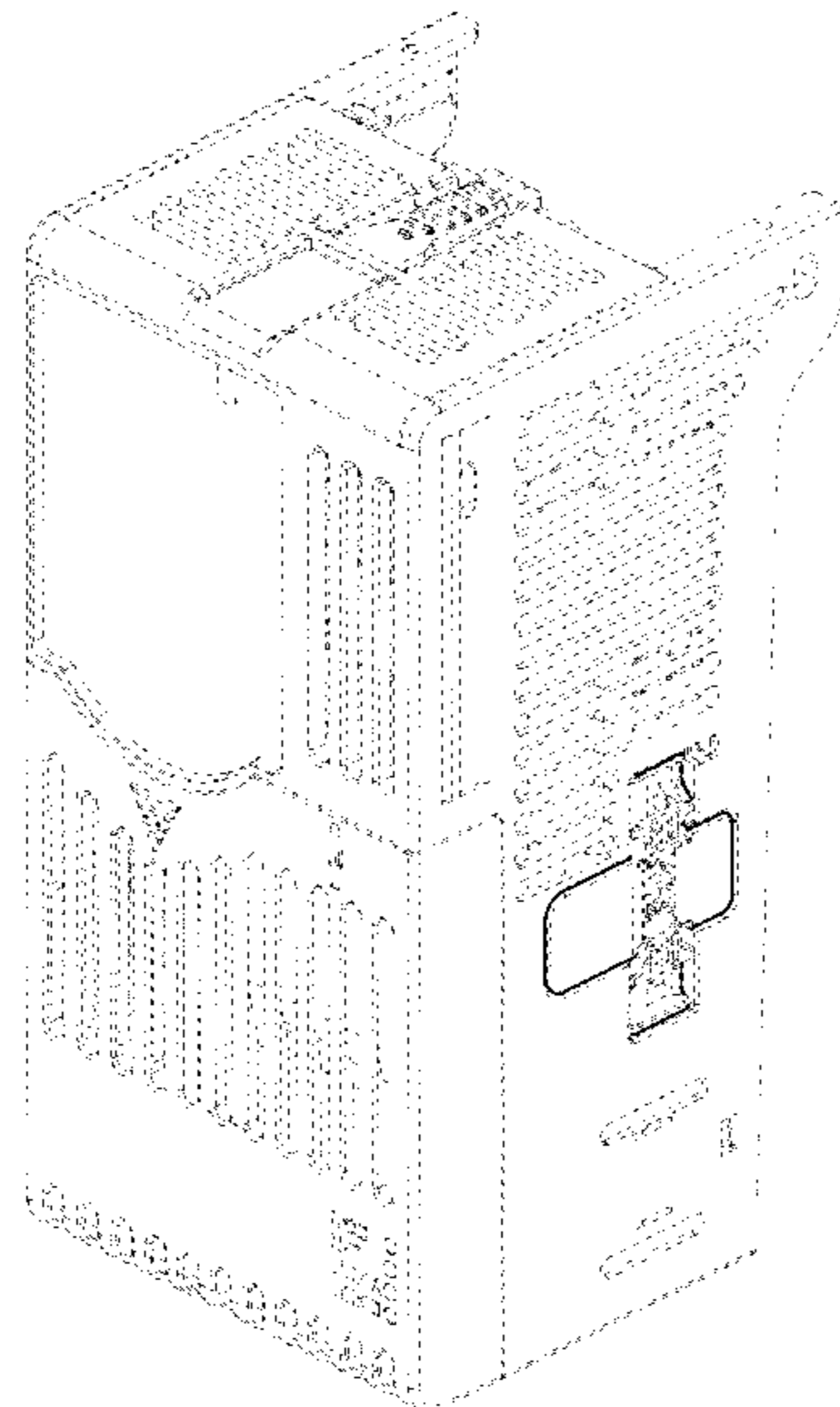
FIG. 16 is a left elevational view of the cooling fan of FIG. 11;

FIG. 17 is a right elevational view of the cooling fan of FIG. 11;

FIG. 18 is a top plan view of the cooling fan of FIG. 11; and,

FIG. 19 is a bottom plan view of the cooling fan of FIG. 11. In the drawings, dashed lines indicate environmental structure or boundaries that form no part of the design to be patented.

1 Claim, 14 Drawing Sheets



(58) **Field of Classification Search**

CPC .. H02K 9/02; H02K 9/04; H02K 5/00; H02K
5/02; H02K 11/0073; H02P 27/04; H02P
29/0044; H02P 29/045; H05K 7/1432

See application file for complete search history.

(56) **References Cited**

U.S. PATENT DOCUMENTS

D653,616	S *	2/2012	Choi	D13/110
D654,024	S *	2/2012	Choi	D13/110
D720,690	S *	1/2015	Tio	D13/110
D723,463	S *	3/2015	Tio	D13/110
2013/0169079	A1 *	7/2013	Andrikowich	H02K 9/04 310/58
2014/0084837	A1 *	3/2014	Tio	H02P 6/14 318/519
2014/0103756	A1 *	4/2014	Grillenberger	H02K 1/185 310/51
2014/0154098	A1 *	6/2014	Cardo	F04D 29/5806 417/53
2015/0091393	A1 *	4/2015	Hayner	H02K 9/04 310/12.29
2016/0043611	A1 *	2/2016	Ikeda	F02B 63/044 290/1 A

* cited by examiner

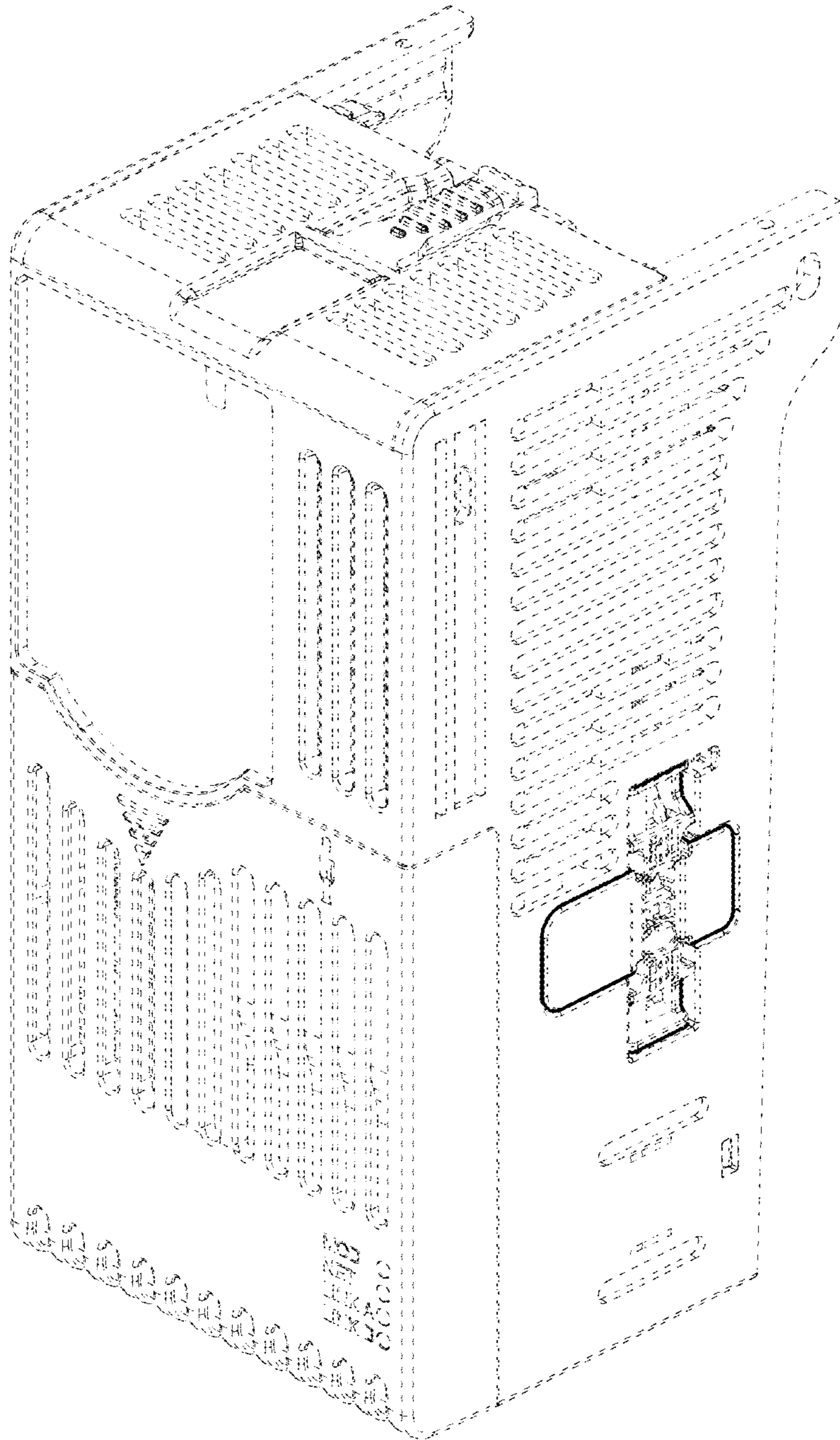


FIG. 1

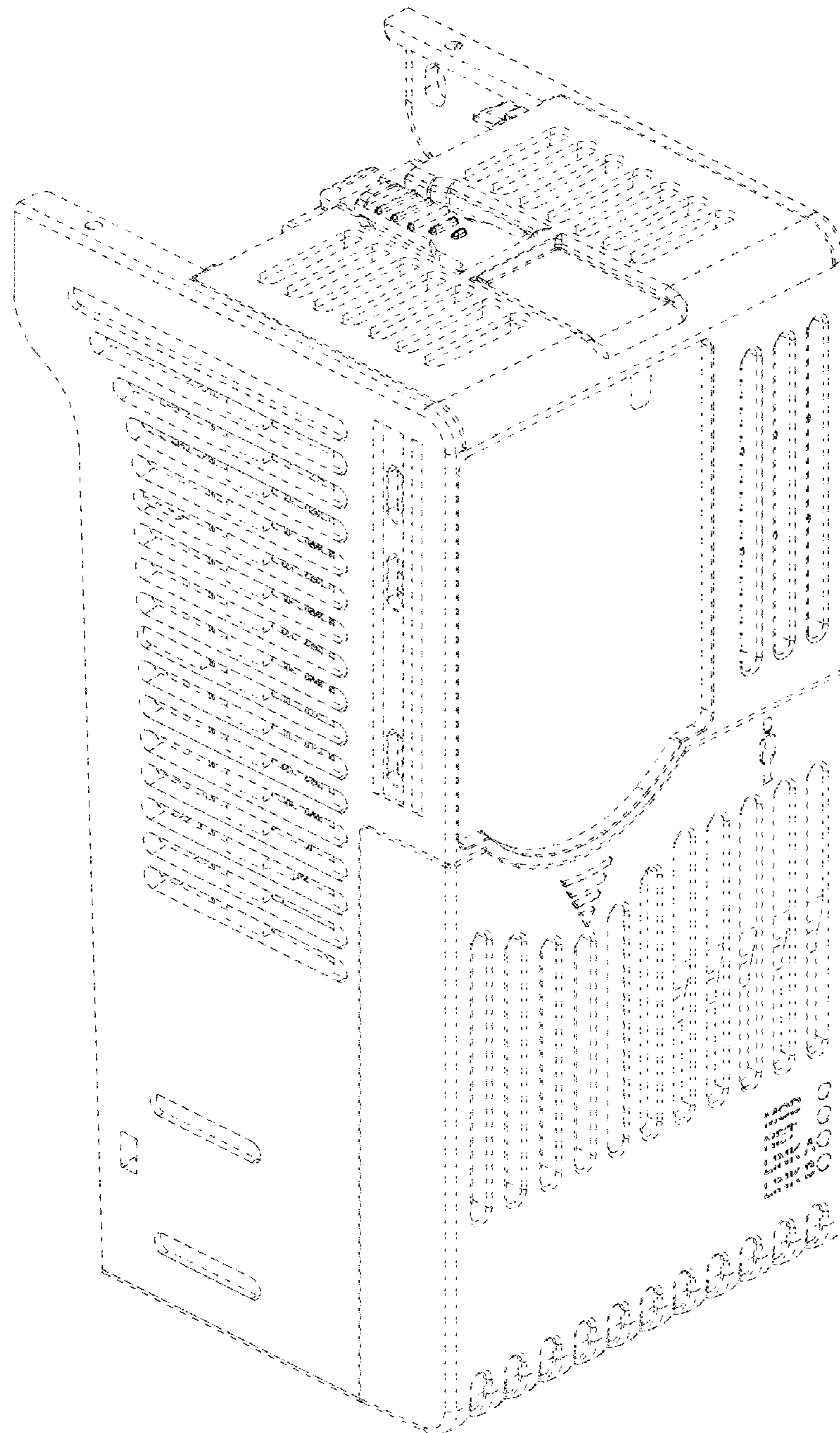


FIG. 2

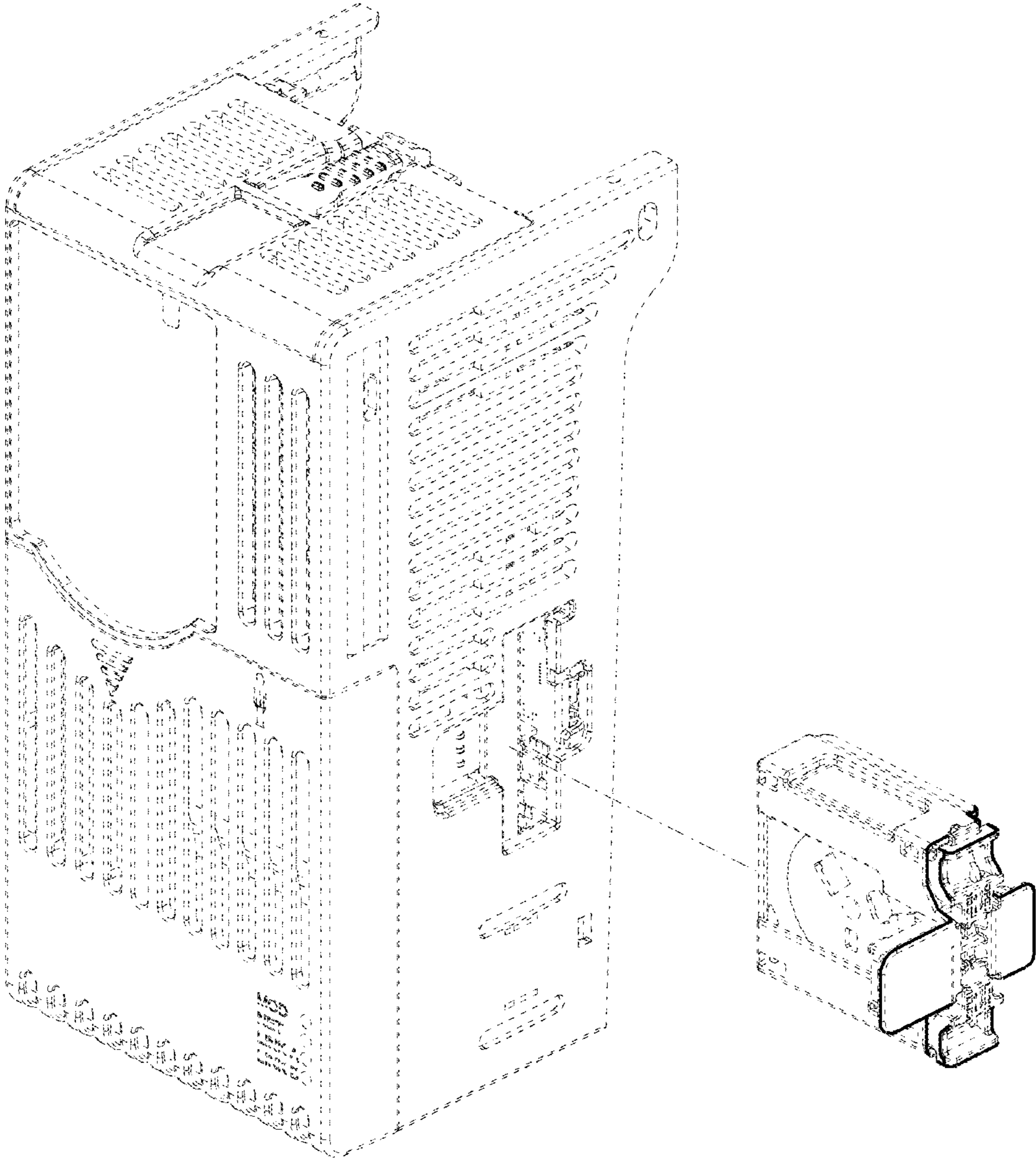


FIG. 3

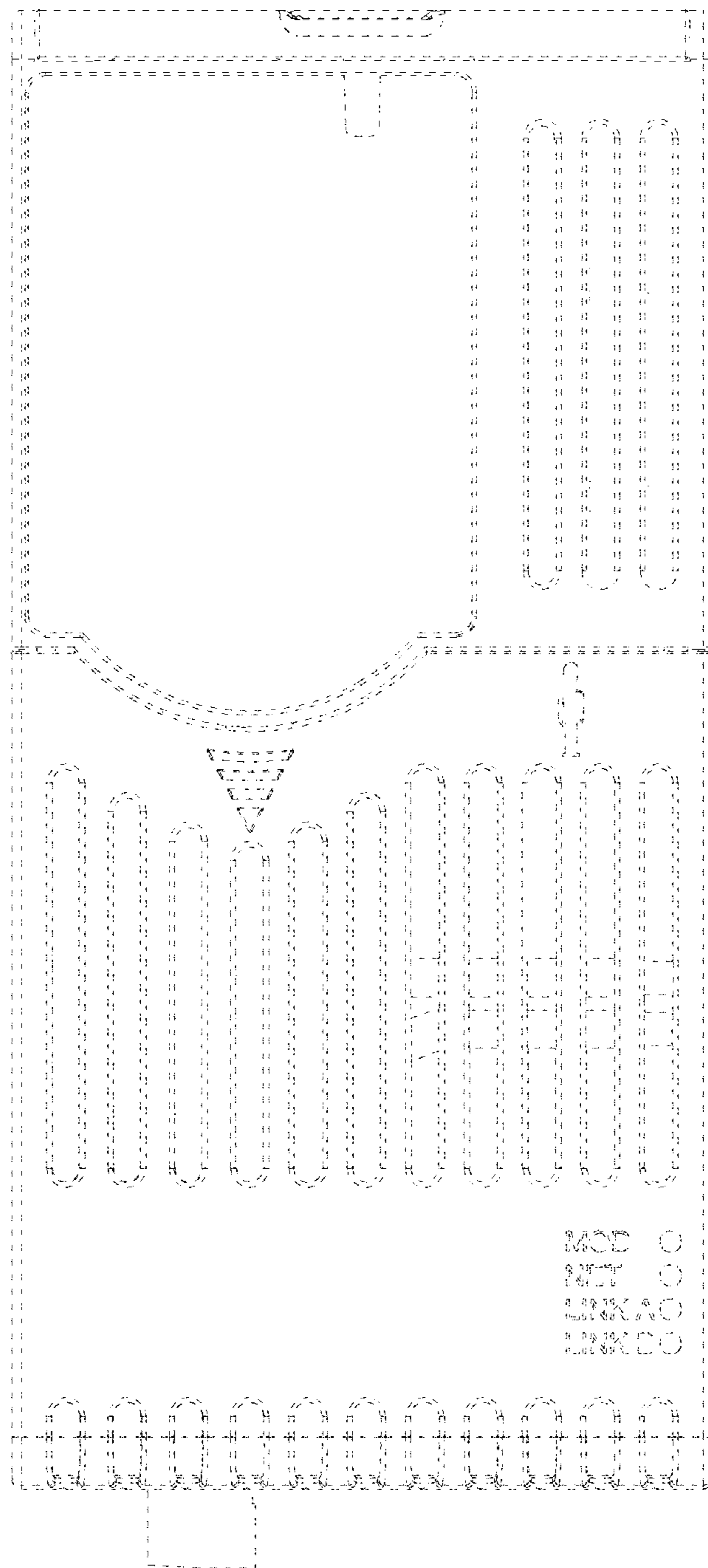


FIG. 4

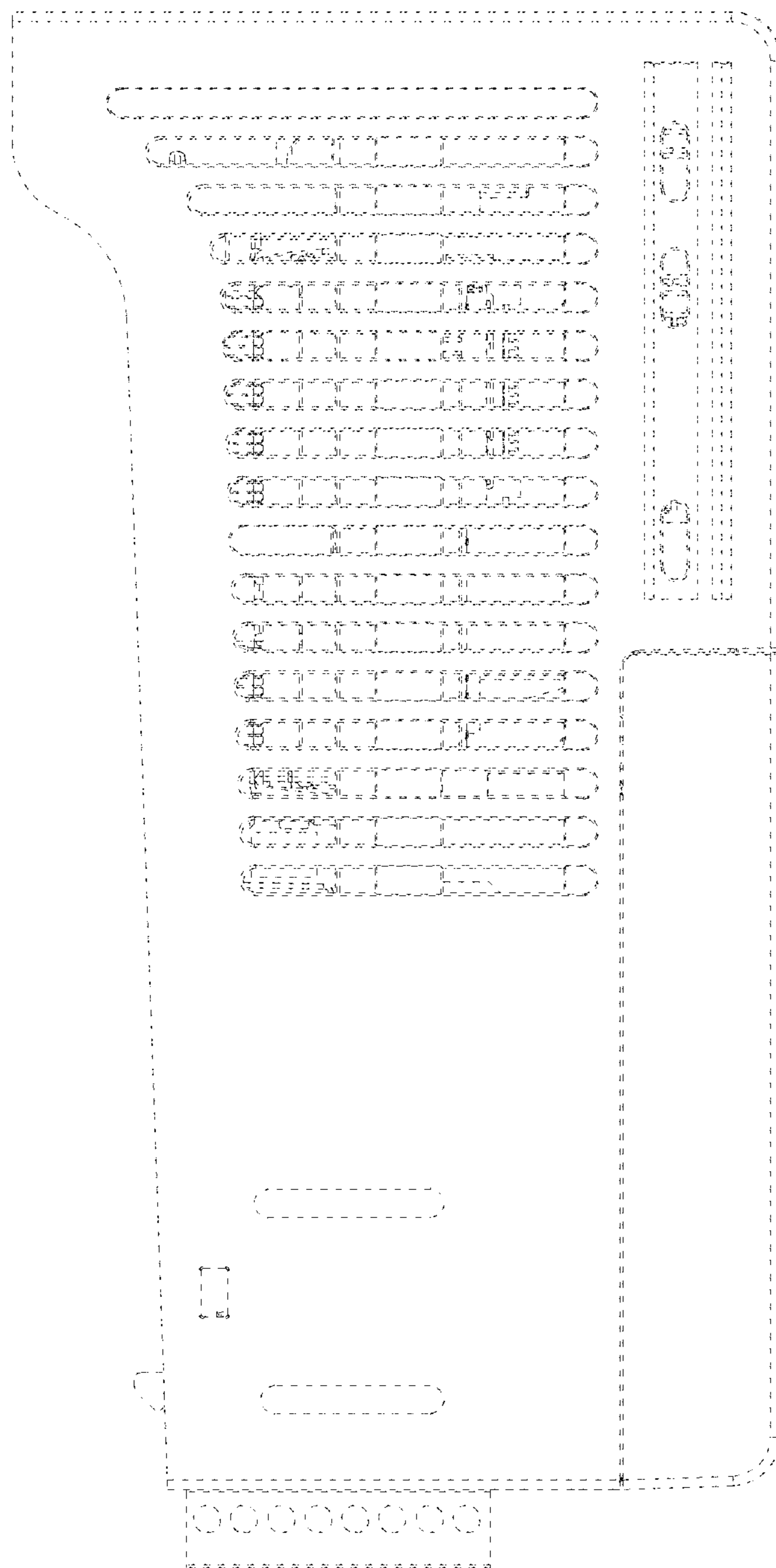


FIG. 5

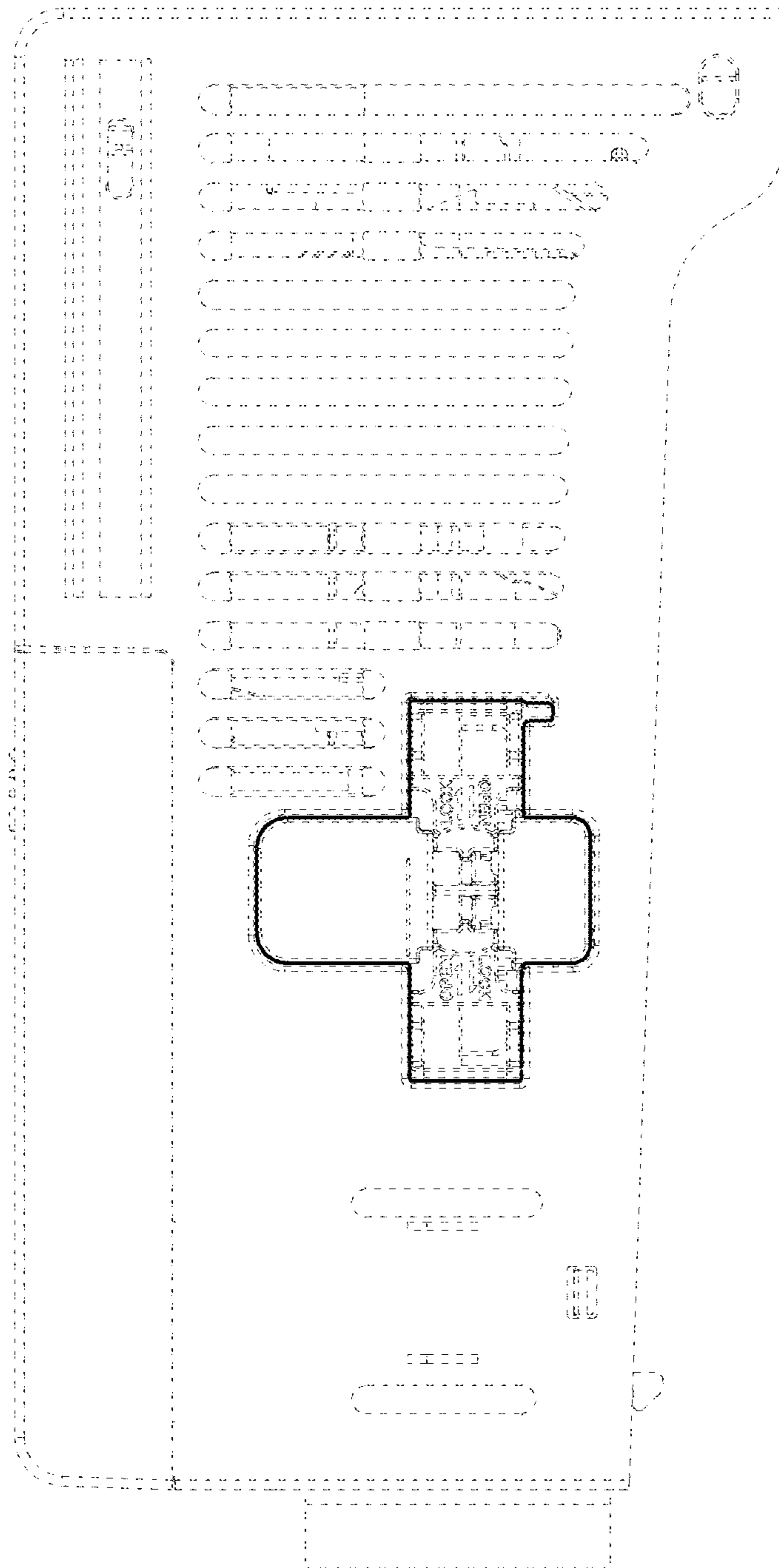


FIG. 6

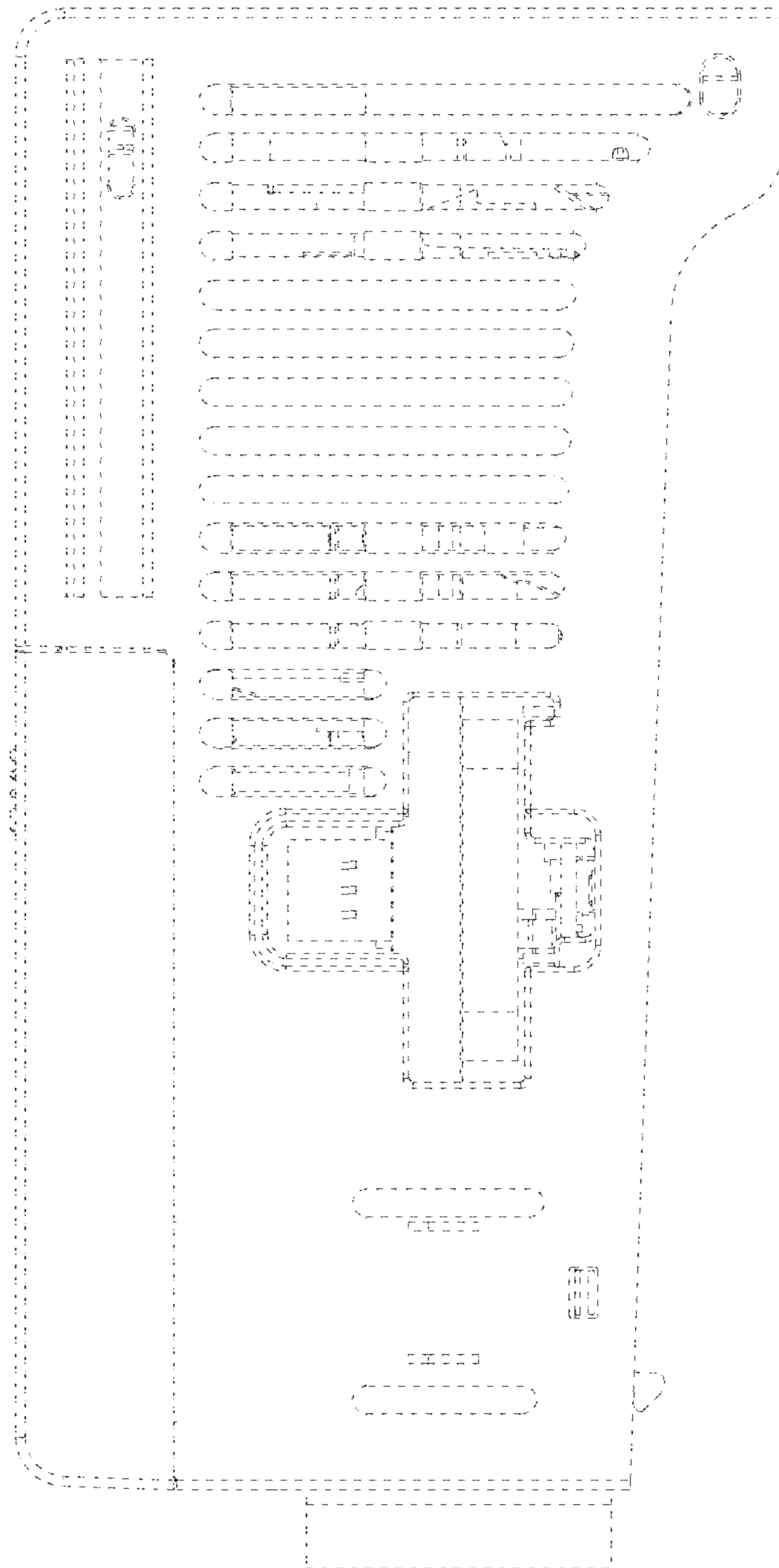


FIG. 7

FIG. 8

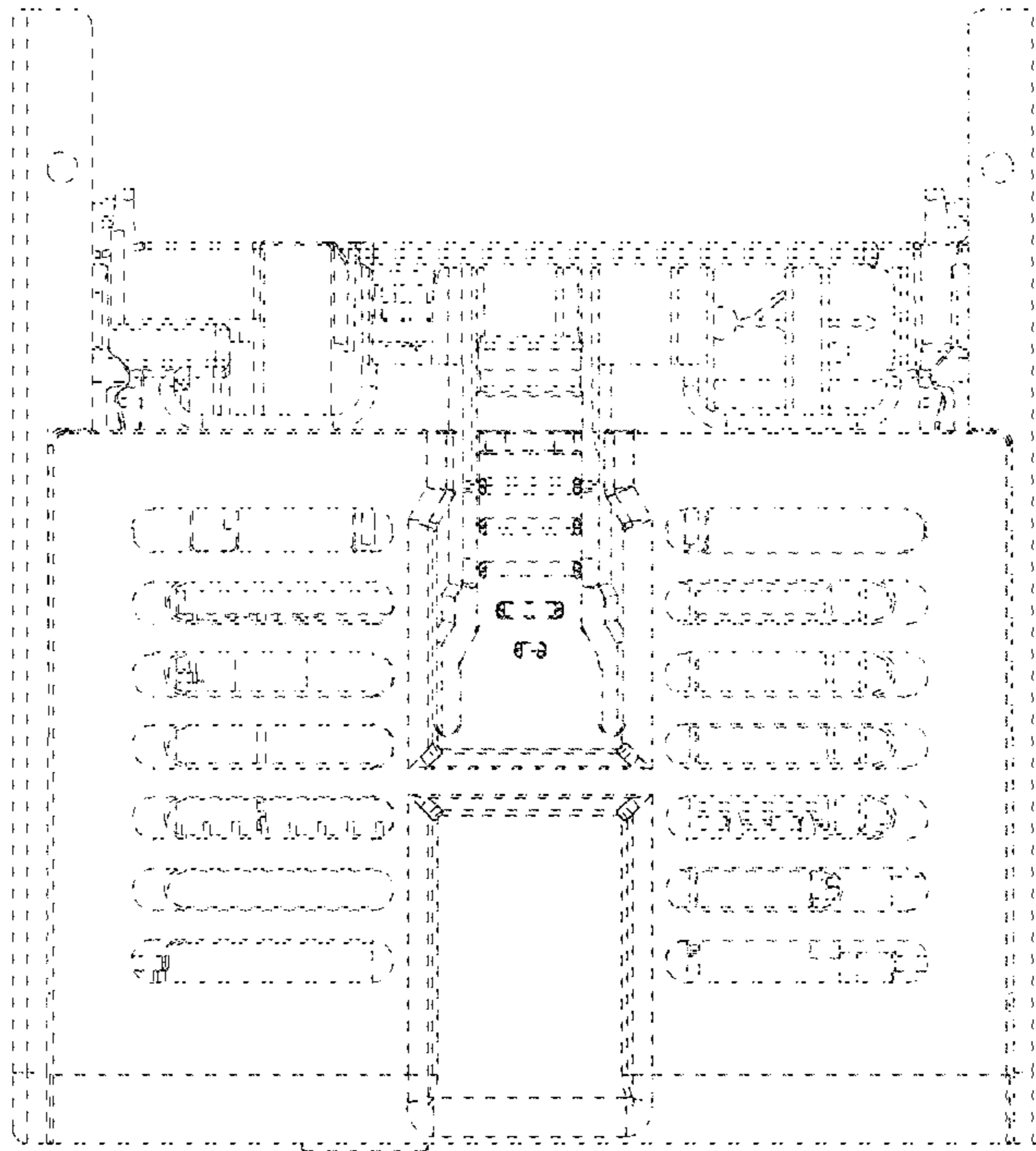
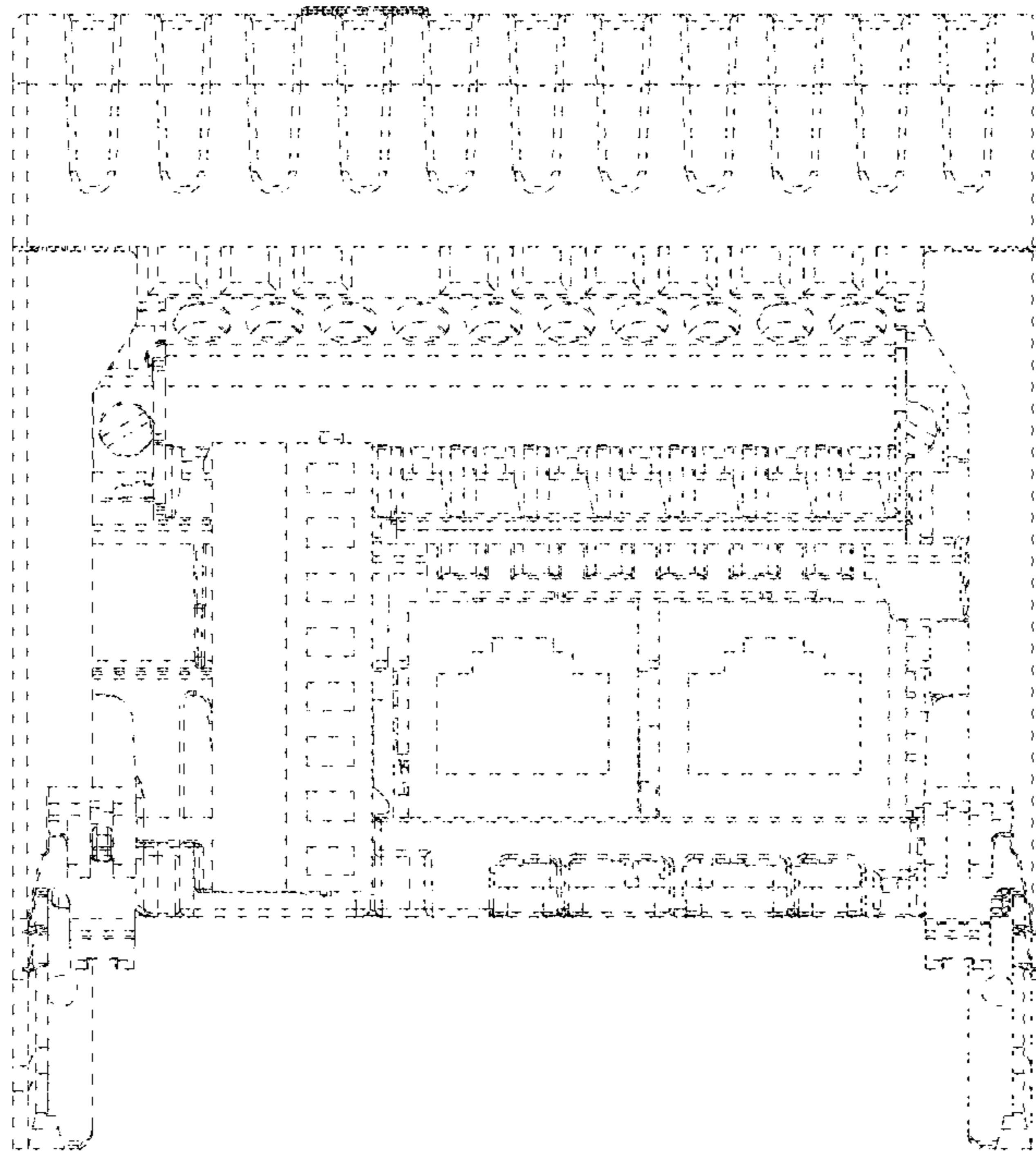


FIG. 9



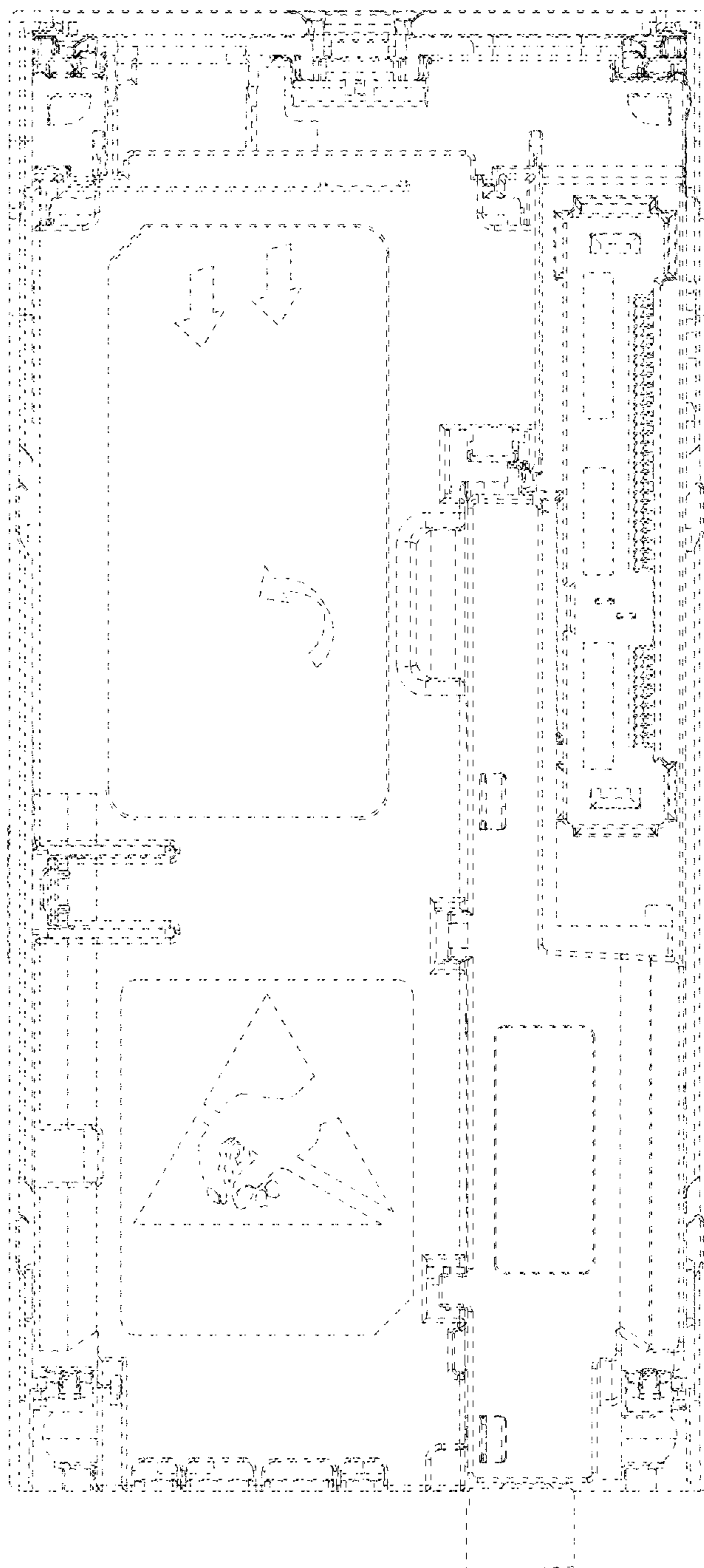


FIG. 10

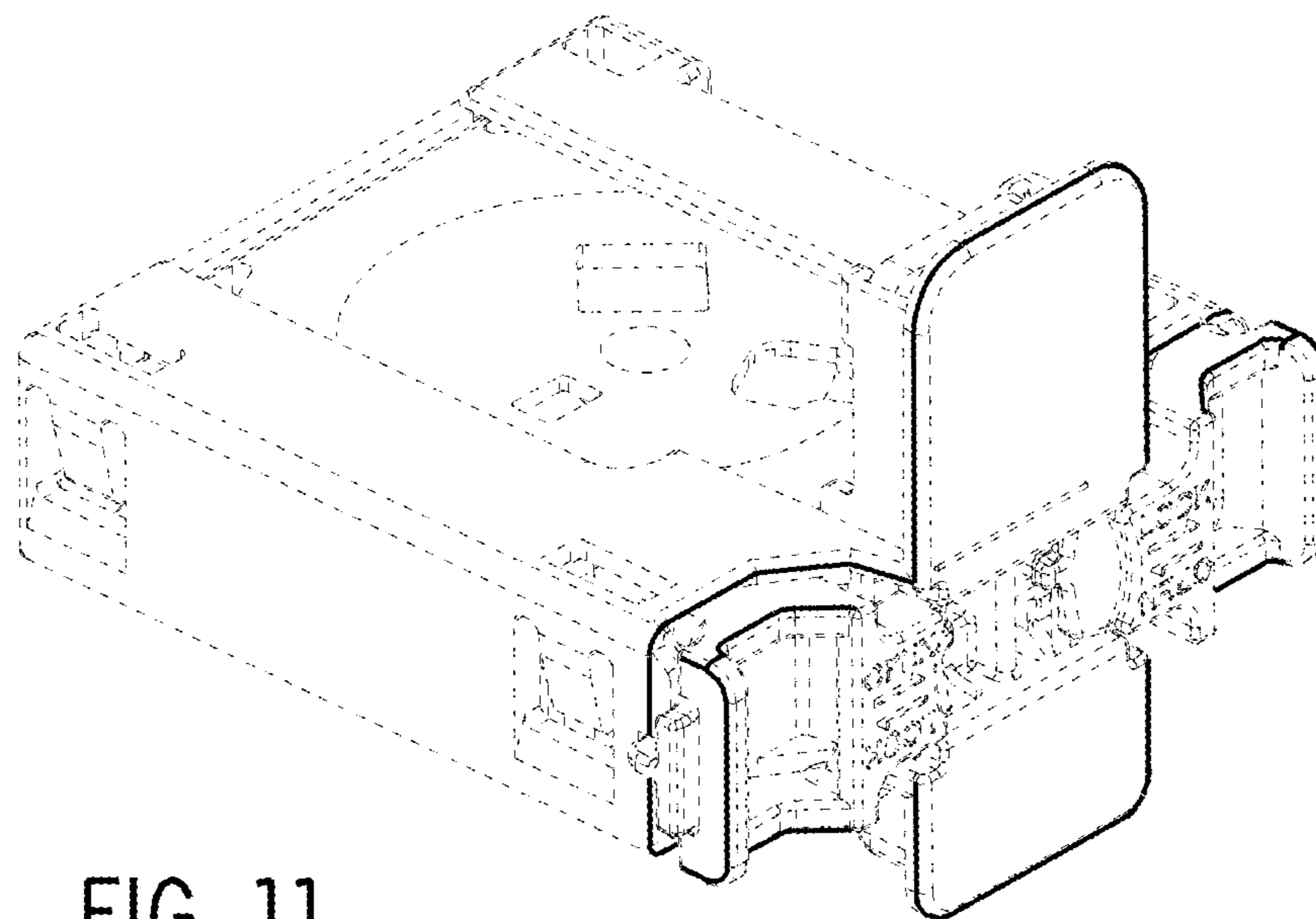


FIG. 11

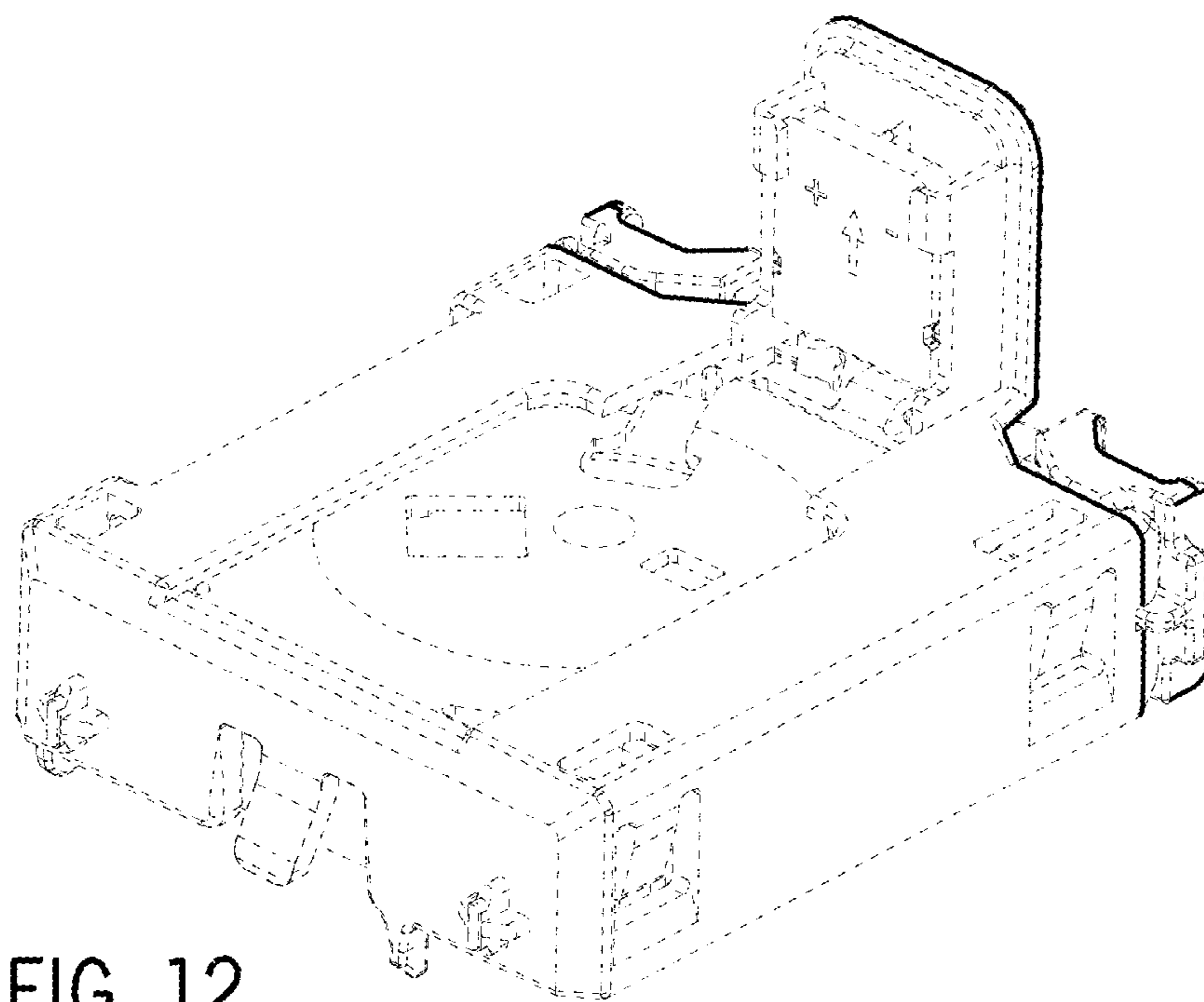


FIG. 12

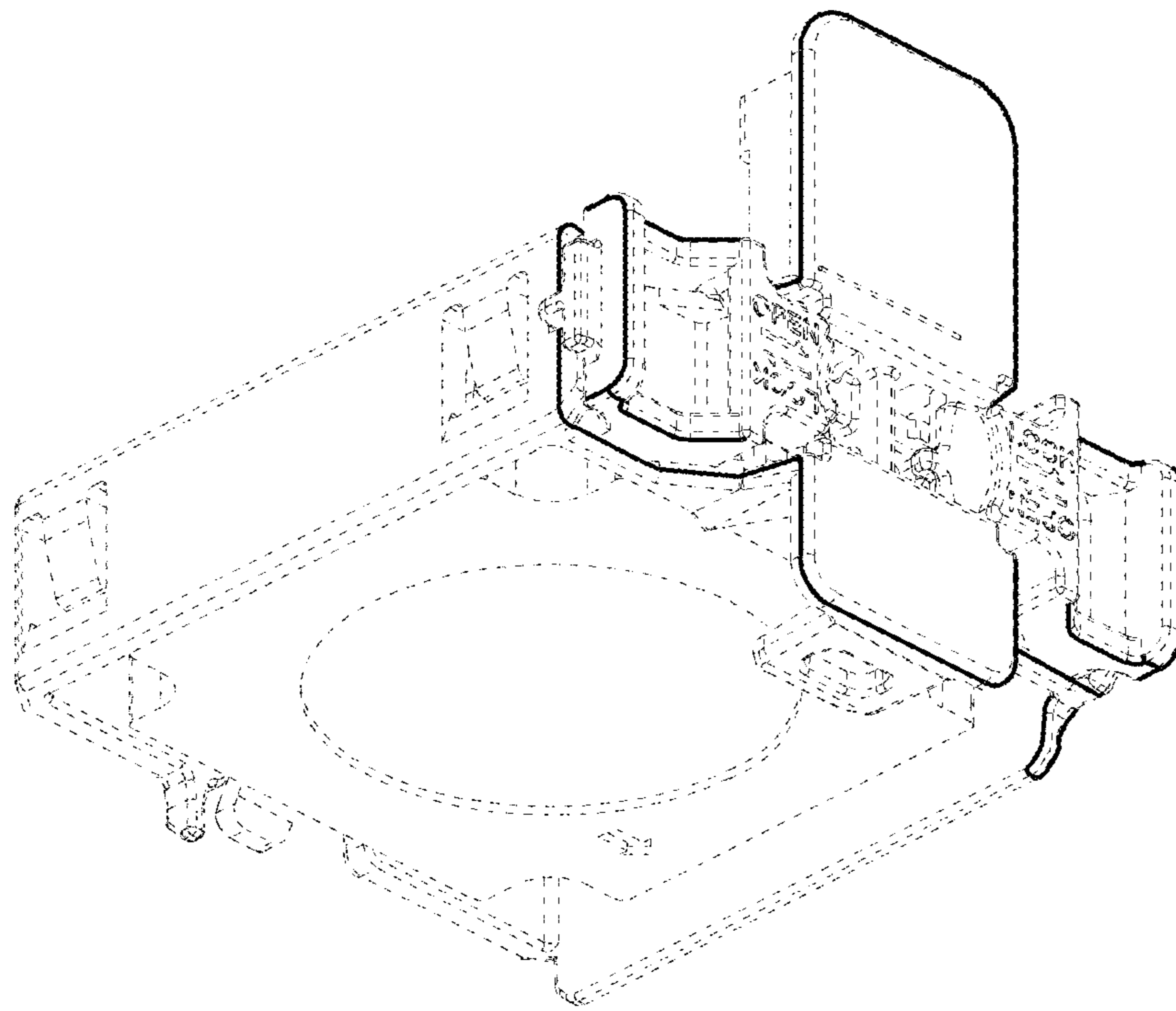


FIG. 13

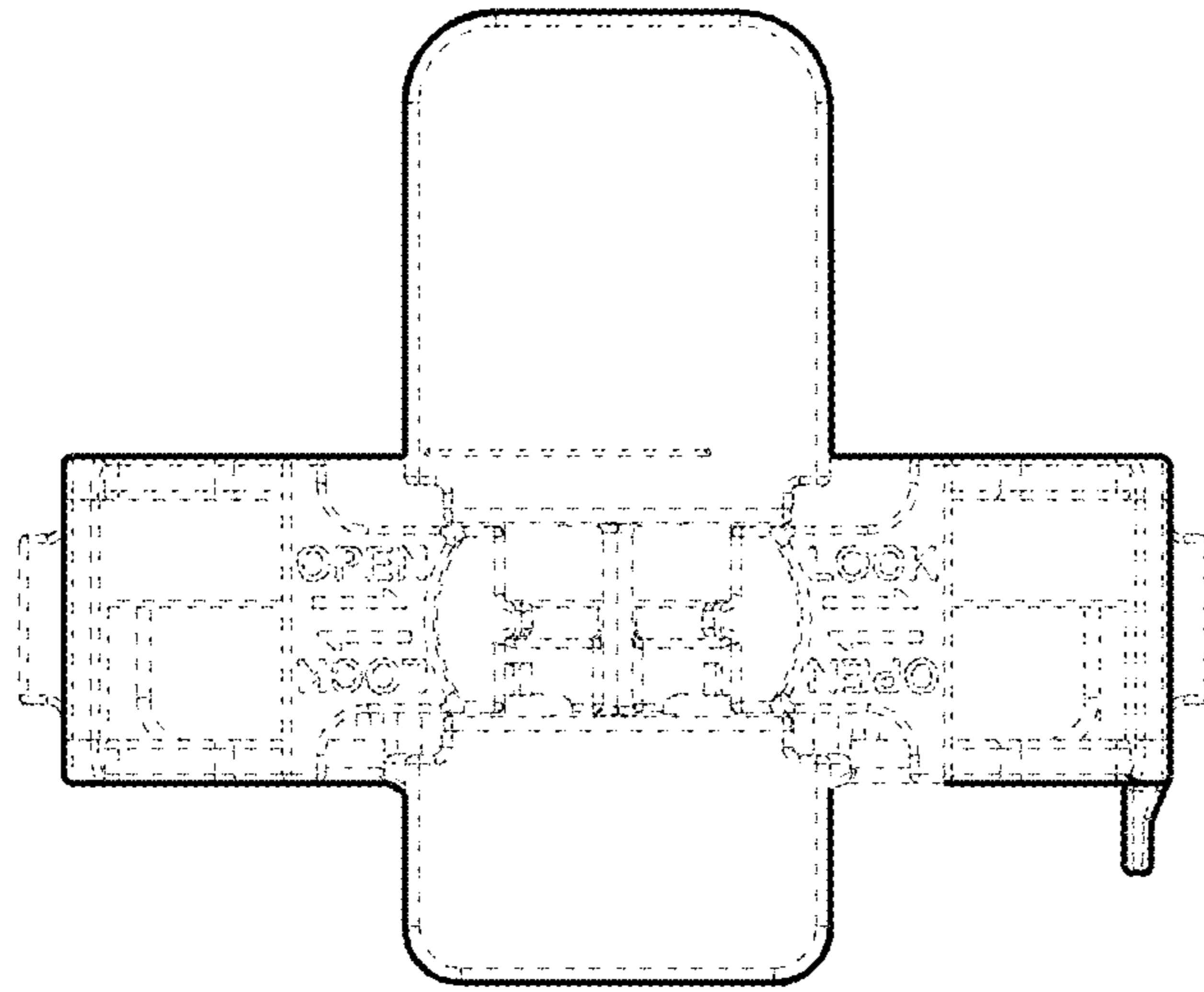


FIG. 14

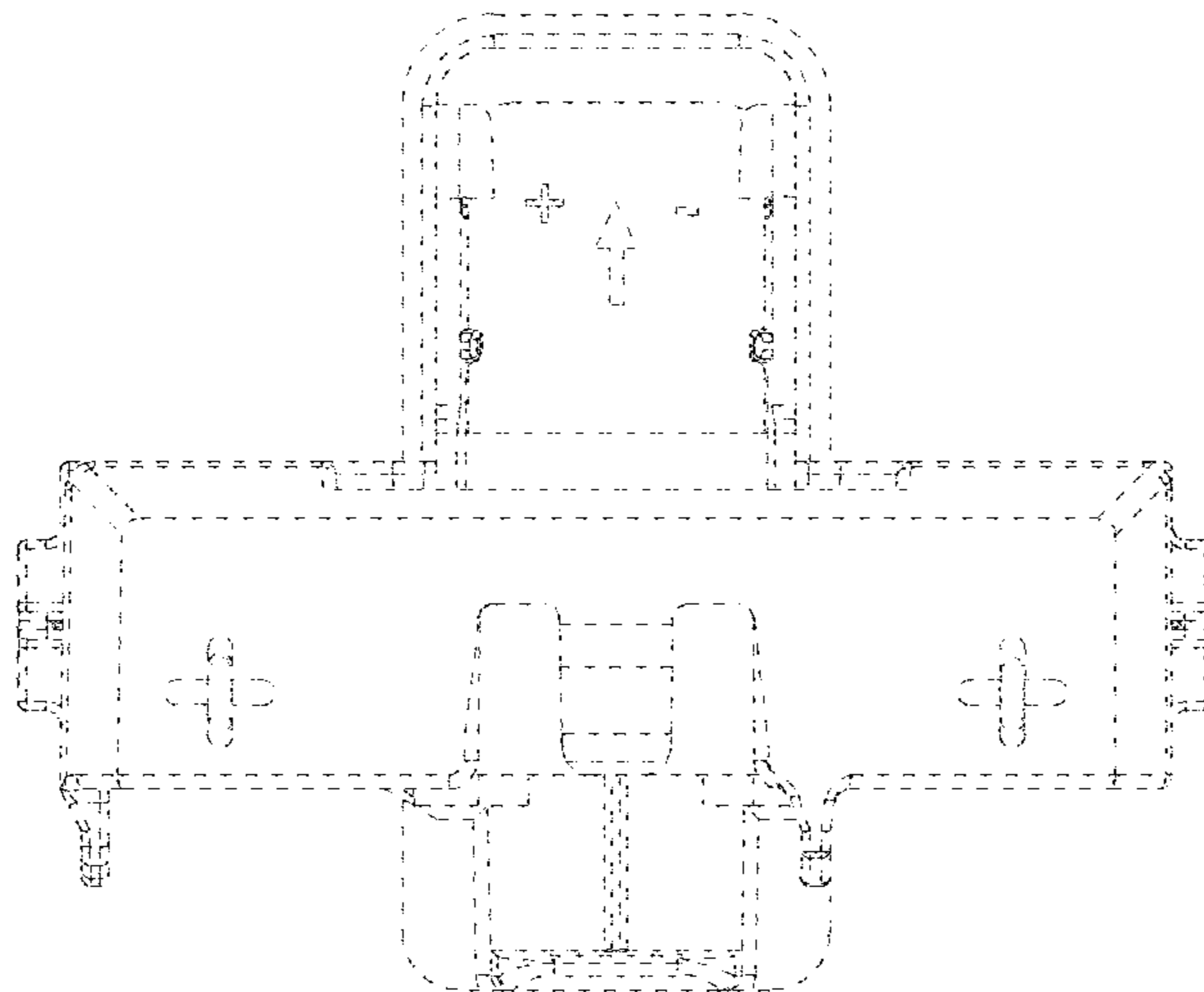


FIG. 15

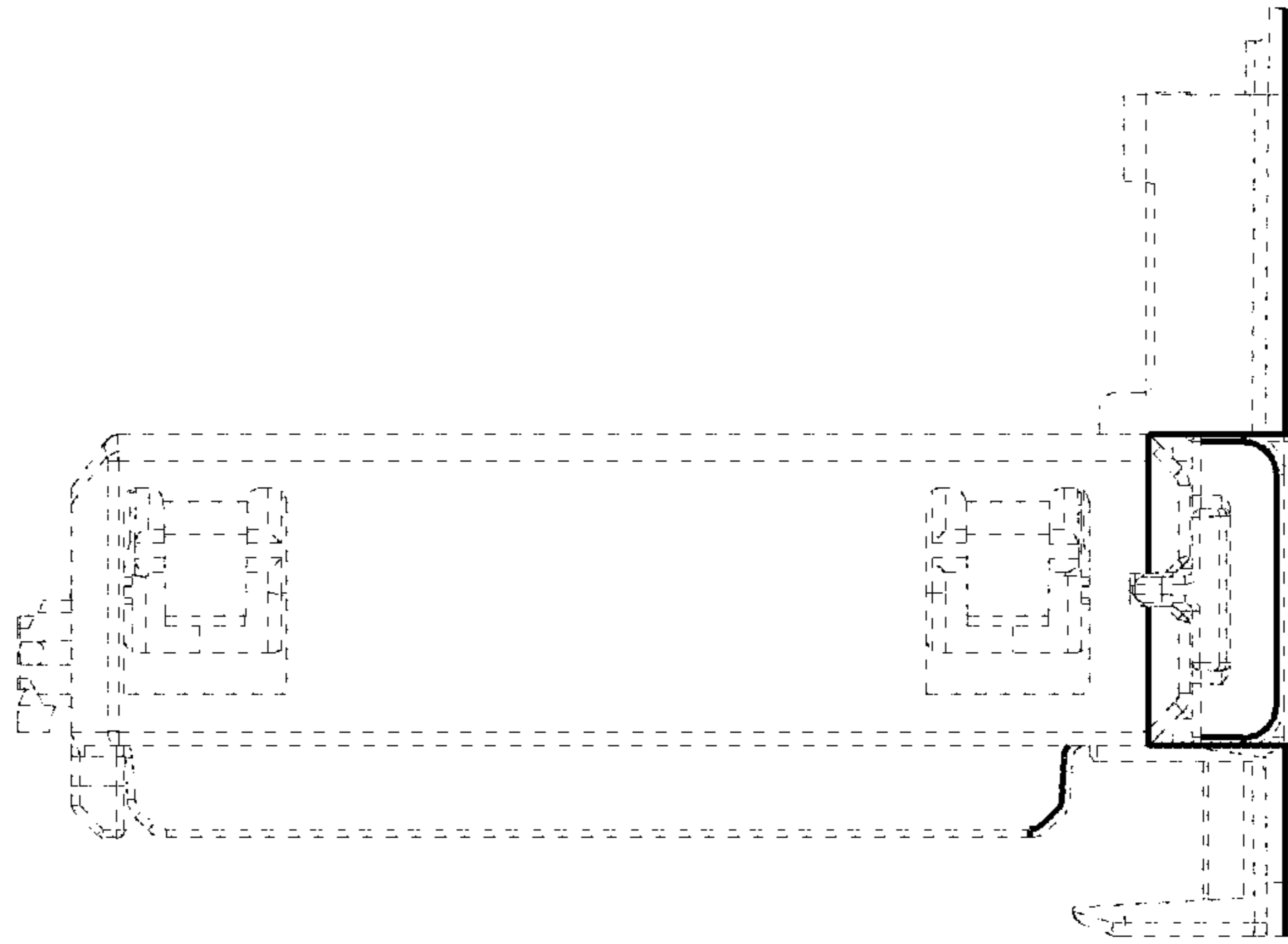


FIG. 16

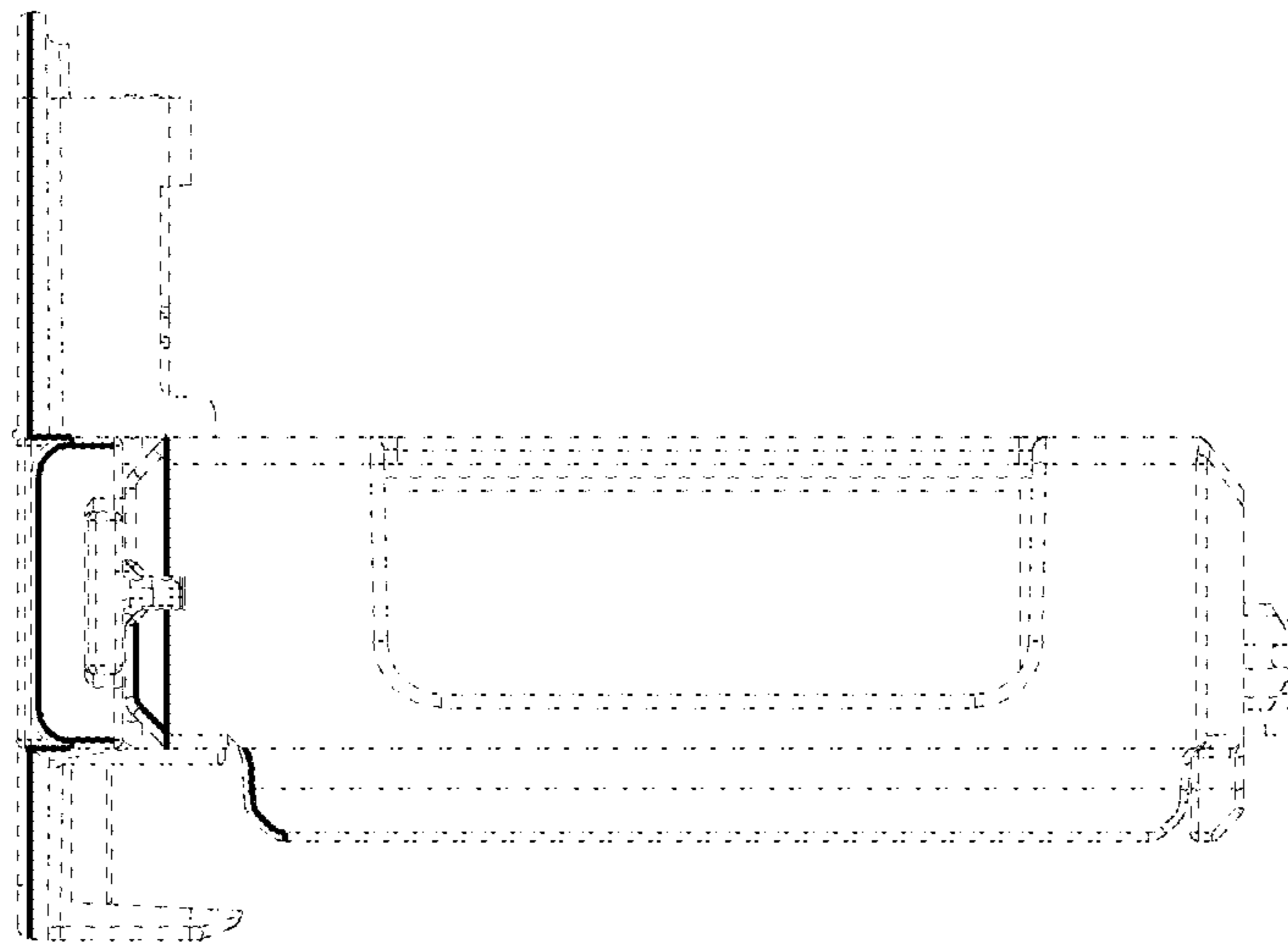


FIG. 17

FIG. 18

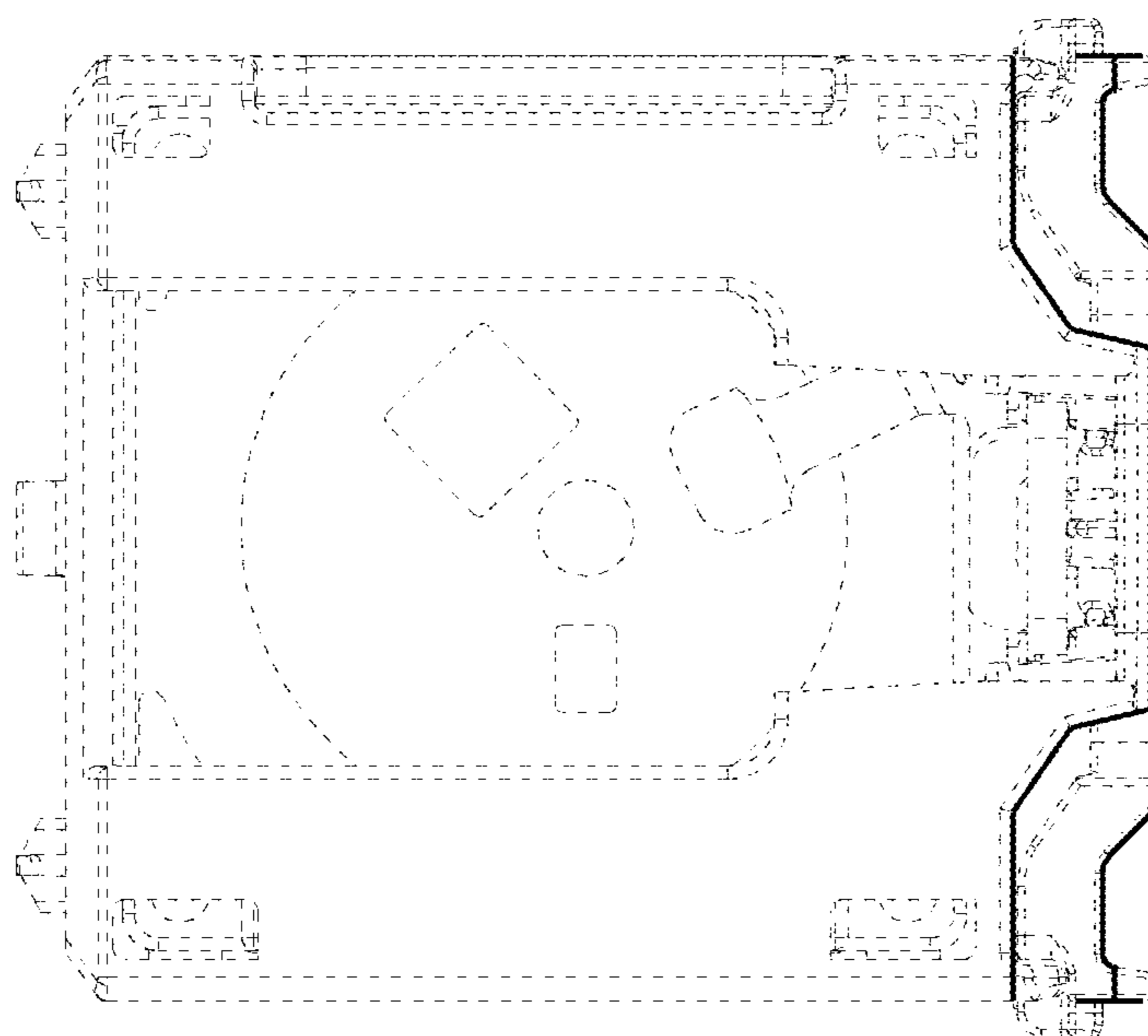


FIG. 19

