



US00D781252S

(12) **United States Design Patent**
Oleson et al.

(10) **Patent No.:** **US D781,252 S**
(45) **Date of Patent:** **** Mar. 14, 2017**

- (54) **CONTROL DEVICE**
- (71) Applicant: **DELTA T CORPORATION**,
Lexington, KY (US)
- (72) Inventors: **Richard Oleson**, Lexington, KY (US);
Erik Turocy, Columbus, OH (US)
- (73) Assignee: **DELTA T CORPORATION**,
Lexington, KY (US)
- (**) Term: **15 Years**
- (21) Appl. No.: **29/537,610**
- (22) Filed: **Aug. 27, 2015**
- (51) **LOC (10) Cl.** **13-03**
- (52) **U.S. Cl.**
USPC **D13/174**
- (58) **Field of Classification Search**
USPC D13/162, 164, 171, 174, 177
CPC .. H01H 3/12; H01H 9/02; H01H 9/16; H01H
9/18; H01H 9/181; H01H 9/182; H01H
13/04; H01H 13/14; H01H 2009/187;
H05B 33/0803; H05B 33/0863; H05B
37/02; H05B 37/0254; H05B 37/0272;
H05B 39/02; H05B 39/04; H05B 39/085;
H05B 39/086; H05B 39/088; H02G 3/14
See application file for complete search history.

D548,702 S *	8/2007	Girard	D13/162
7,274,117 B1 *	9/2007	Viola	H01B 1/24 307/112
7,285,723 B2 *	10/2007	Lindenstrauss	H02G 3/125 174/66
D557,240 S *	12/2007	Lee	D14/138 AB
D561,113 S *	2/2008	Samhammer	D13/162
D562,264 S *	2/2008	Jeong	D13/164
D606,500 S *	12/2009	Snyder	D13/171
D614,588 S *	4/2010	Snyder	D13/171
D646,280 S *	10/2011	Yano	D14/188
8,153,918 B2 *	4/2012	Agronin	H01H 3/227 200/331
D709,463 S *	7/2014	Junko	D13/169
D717,761 S *	11/2014	Takahata	D14/142
D722,981 S *	2/2015	Livschitz	D13/162
D733,077 S *	6/2015	Panis	D13/171
D736,717 S *	8/2015	Duffy	D13/162
9,208,965 B2 *	12/2015	Busby	H01H 9/287
2013/0277191 A1 *	10/2013	Trolese	H05K 5/02 200/501

* cited by examiner

Primary Examiner — Selina Sikder
(74) *Attorney, Agent, or Firm* — King & Schickli, PLLC

(57) **CLAIM**

The ornamental design for a control device, as shown and described.

DESCRIPTION

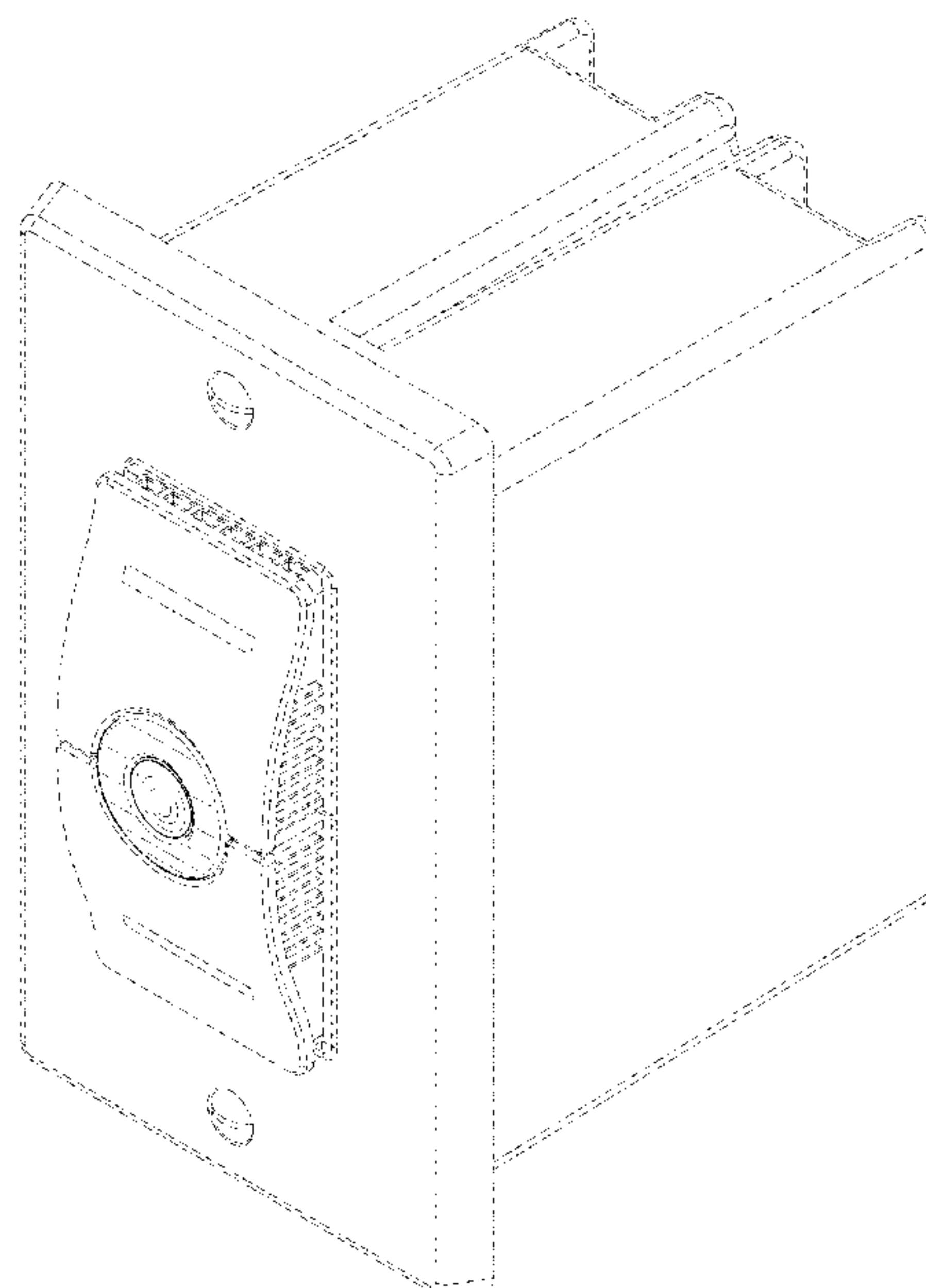
FIG. 1 is a perspective view of the invention;
FIG. 2 is a front view of the invention;
FIG. 3 is a right side view of the invention, the left side view being a mirror image thereof; and,
FIG. 4 is a top view of the invention, the bottom view being a mirror image thereof.
The broken line depictions form no part of the claimed design.

1 Claim, 4 Drawing Sheets

(56) **References Cited**

U.S. PATENT DOCUMENTS

D234,602 S *	3/1975	Mellyn	D13/125
D408,821 S *	4/1999	Takahashi	D14/218
D414,748 S *	10/1999	Pierson	D13/171
D479,205 S *	9/2003	Krajci	D13/171
6,989,489 B1 *	1/2006	Savicki, Jr.	H02G 3/14 174/50
D532,779 S *	11/2006	Kim	D14/218



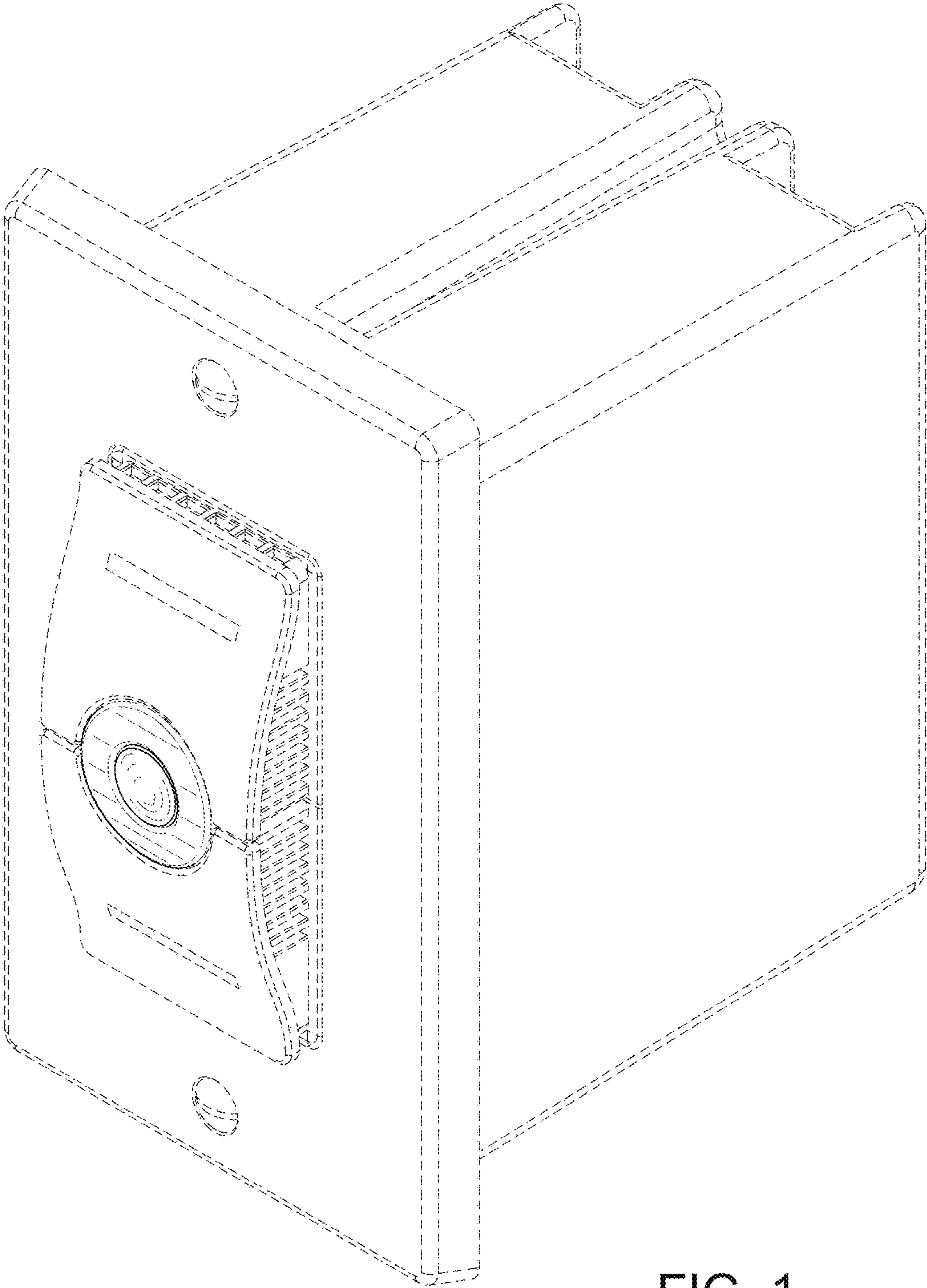


FIG. 1

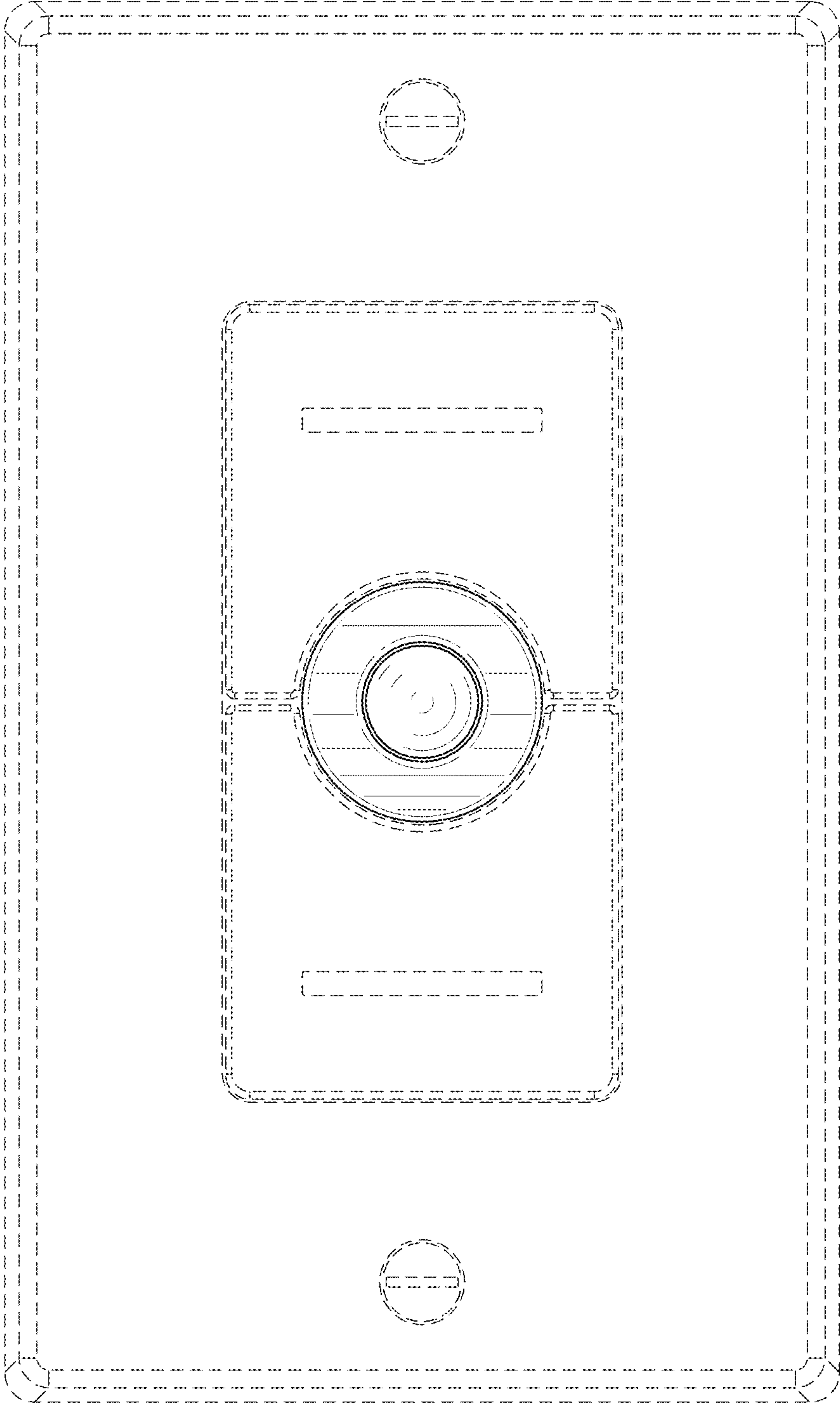


FIG. 2

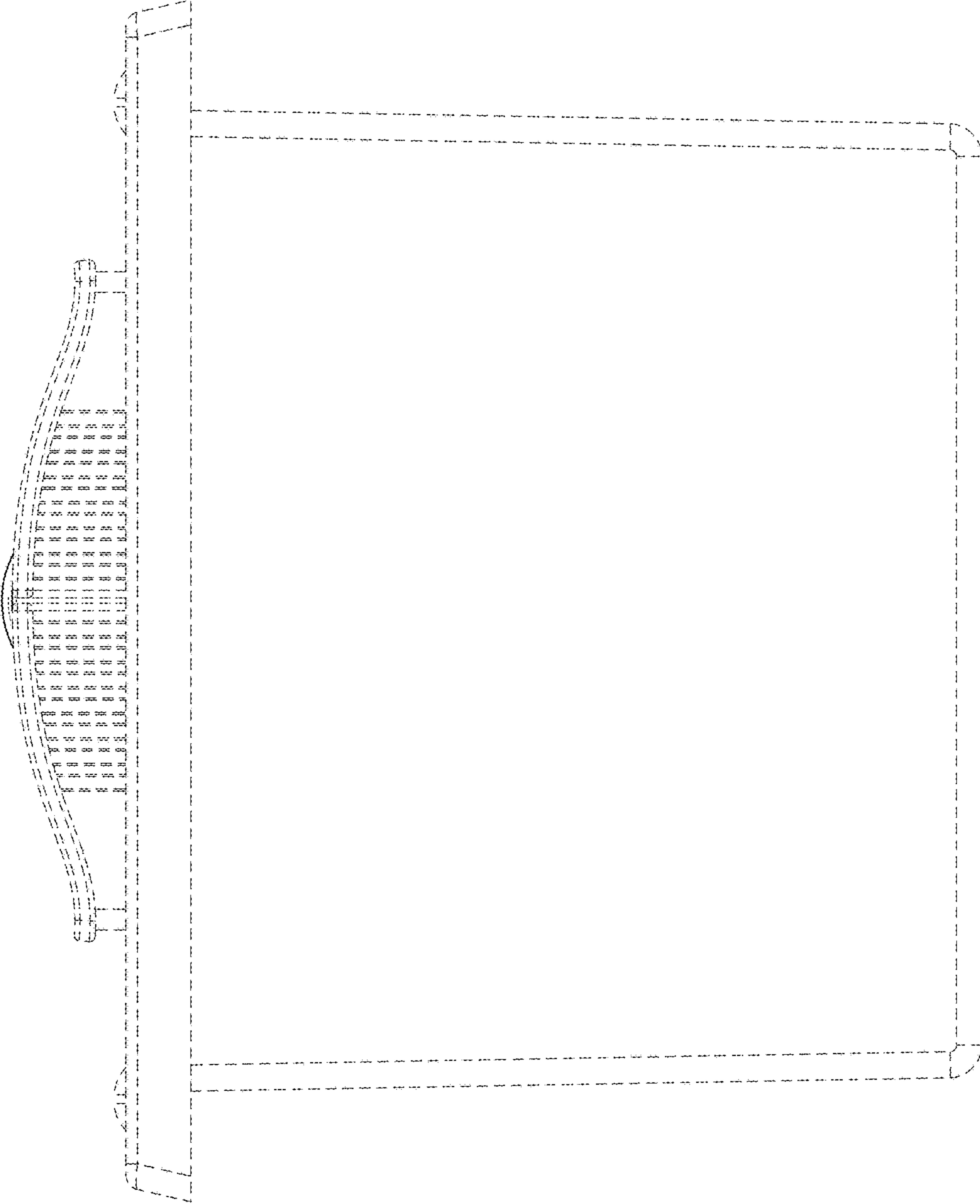


FIG. 3

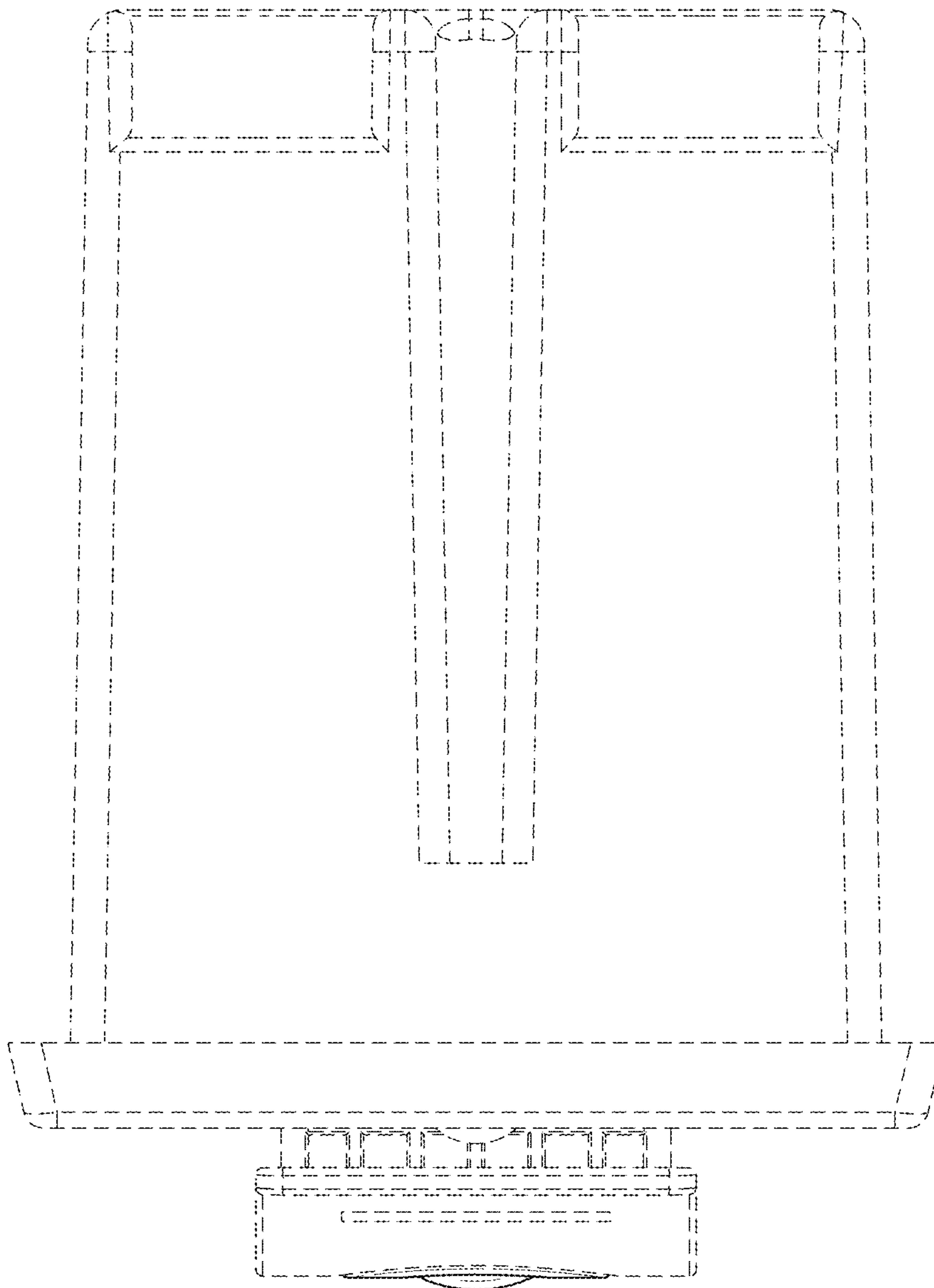


FIG. 4