



US00D781251S

(12) **United States Design Patent**
Tsuduki

(10) **Patent No.:** **US D781,251 S**
(45) **Date of Patent:** **** Mar. 14, 2017**

(54) **ROTARY SWITCH**
(71) Applicant: **HOSIDEN CORPORATION**, Yao-shi,
Osaka (JP)
(72) Inventor: **Shiro Tsuduki**, Yao (JP)
(73) Assignee: **HOSIDEN CORPORATION**, Yao-shi
(JP)

6,642,459 B2 * 11/2003 Chou H01H 19/58
200/11 G
7,094,980 B2 * 8/2006 Ahn G06F 3/0362
200/11 TW
7,595,722 B2 * 9/2009 Heimermann B60K 35/00
200/336
D603,809 S * 11/2009 Mathew D13/169
7,714,839 B2 * 5/2010 Everest G06F 3/0362
345/156

(**) Term: **14 Years**
(21) Appl. No.: **29/522,891**
(22) Filed: **Apr. 3, 2015**

(Continued)
Primary Examiner — Selina Sikder
(74) *Attorney, Agent, or Firm* — Kratz, Quintos &
Hanson, LLP

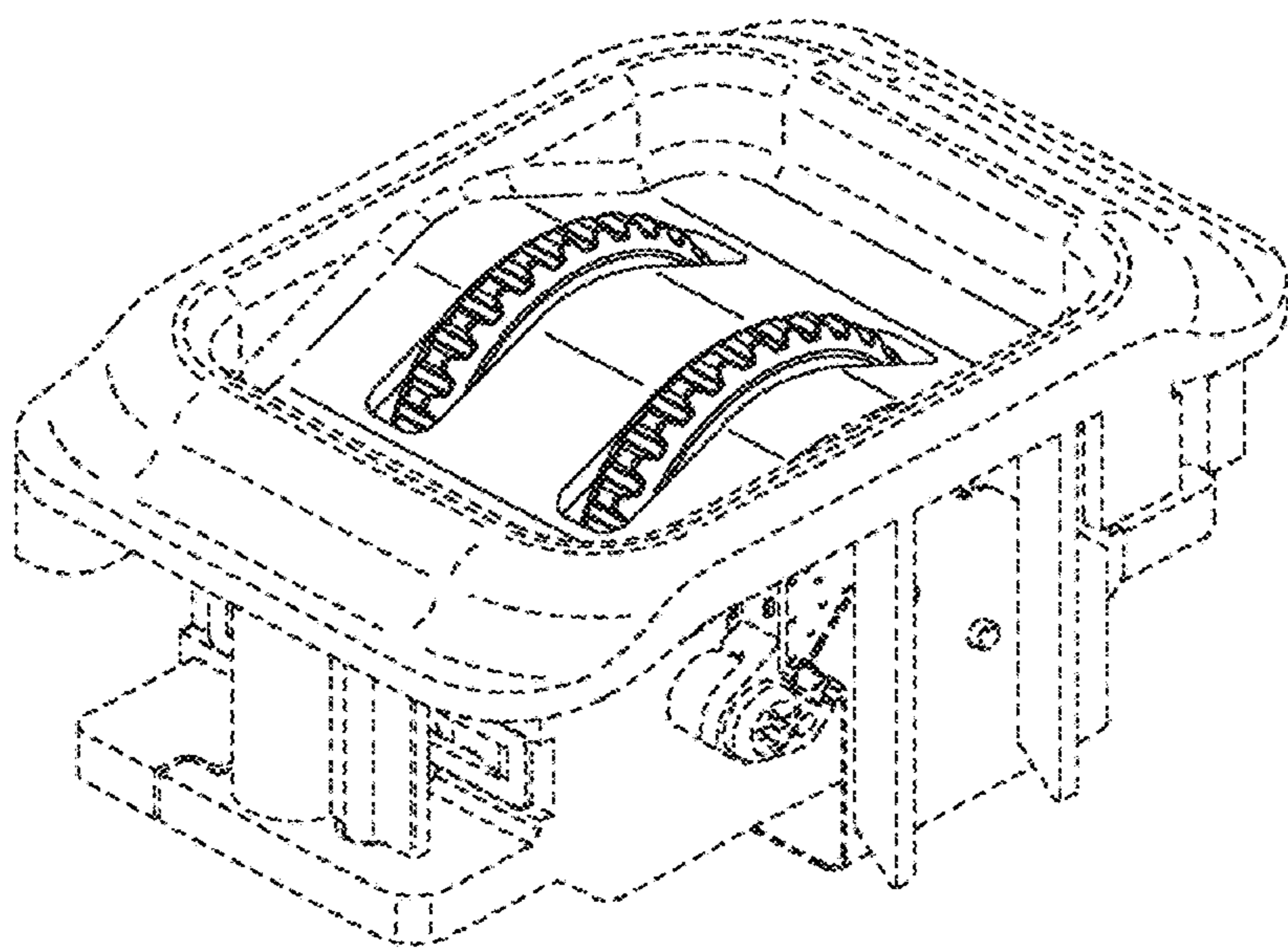
(30) **Foreign Application Priority Data**
Oct. 22, 2014 (JP) 2014-023617
(51) **LOC (10) Cl.** **13-03**
(52) **U.S. Cl.**
USPC **D13/174**
(58) **Field of Classification Search**
USPC D13/169, 170, 174
CPC G06F 3/0362; H01H 19/001; H01H 19/02;
H01H 19/585; H01H 21/36; H01H 23/16;
H01H 71/56; H01H 25/002
See application file for complete search history.

(57) **CLAIM**
The ornamental design for a rotary switch, as shown and
described.

(56) **References Cited**
U.S. PATENT DOCUMENTS
D188,324 S * 7/1960 Brown D10/103
D351,139 S * 10/1994 Ko D13/162
5,739,744 A * 4/1998 Roca G06F 3/0483
341/20
D402,270 S * 12/1998 Garrity, Sr. D13/174
6,198,057 B1 * 3/2001 Sato G06F 3/0312
200/19.18

DESCRIPTION
FIG. 1 is a front elevational view of the rotary switch
showing my new design;
FIG. 2 is a back elevational view thereof;
FIG. 3 is a top plan view thereof;
FIG. 4 is a bottom plan view thereof;
FIG. 5 is a right side elevational view thereof;
FIG. 6 is a left side elevational view thereof;
FIG. 7 is a top, front, and left side perspective view thereof;
FIG. 8 is a top, front, and right side perspective view thereof;
FIG. 9 is a top, back, and right side perspective view thereof;
and,
FIG. 10 is a top, back, and left side perspective view thereof.
The broken lines are included for the purpose of illustrating
environmental structures and form no part of the claimed
design. The dot-dash broken lines define the boundaries of
the claimed design and form no part of the claimed design.

1 Claim, 10 Drawing Sheets



(56)

References Cited

U.S. PATENT DOCUMENTS

| | | | | |
|--------------|------|---------|------------------|------------------------|
| 7,781,692 | B2 * | 8/2010 | Heerlein | H01H 25/008 200/18 |
| 8,124,898 | B2 * | 2/2012 | Mathew | H01H 23/025 200/18 |
| D680,974 | S * | 4/2013 | Falkenberg | D13/174 |
| 8,643,220 | B1 * | 2/2014 | Bhosale | H03K 17/725 307/115 |
| 8,907,190 | B2 * | 12/2014 | Nakamura | H01H 19/14 200/5 A |
| 2003/0024799 | A1 * | 2/2003 | Jorgensen | H01C 10/36 200/175 |
| 2007/0051606 | A1 * | 3/2007 | Sallam | H01H 19/585 200/336 |
| 2013/0327165 | A1 * | 12/2013 | Becker | G04C 23/46 74/10.41 |

* cited by examiner

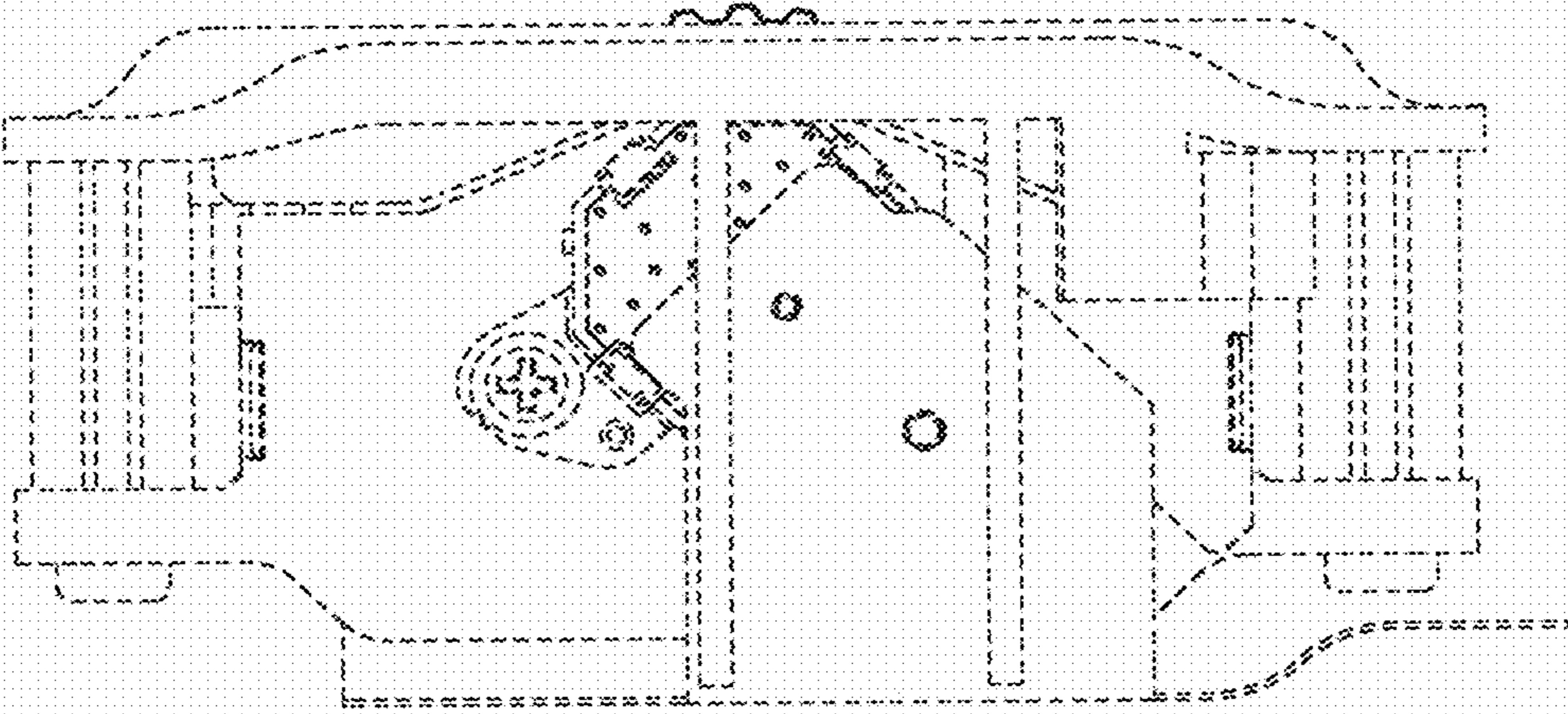


Fig.1

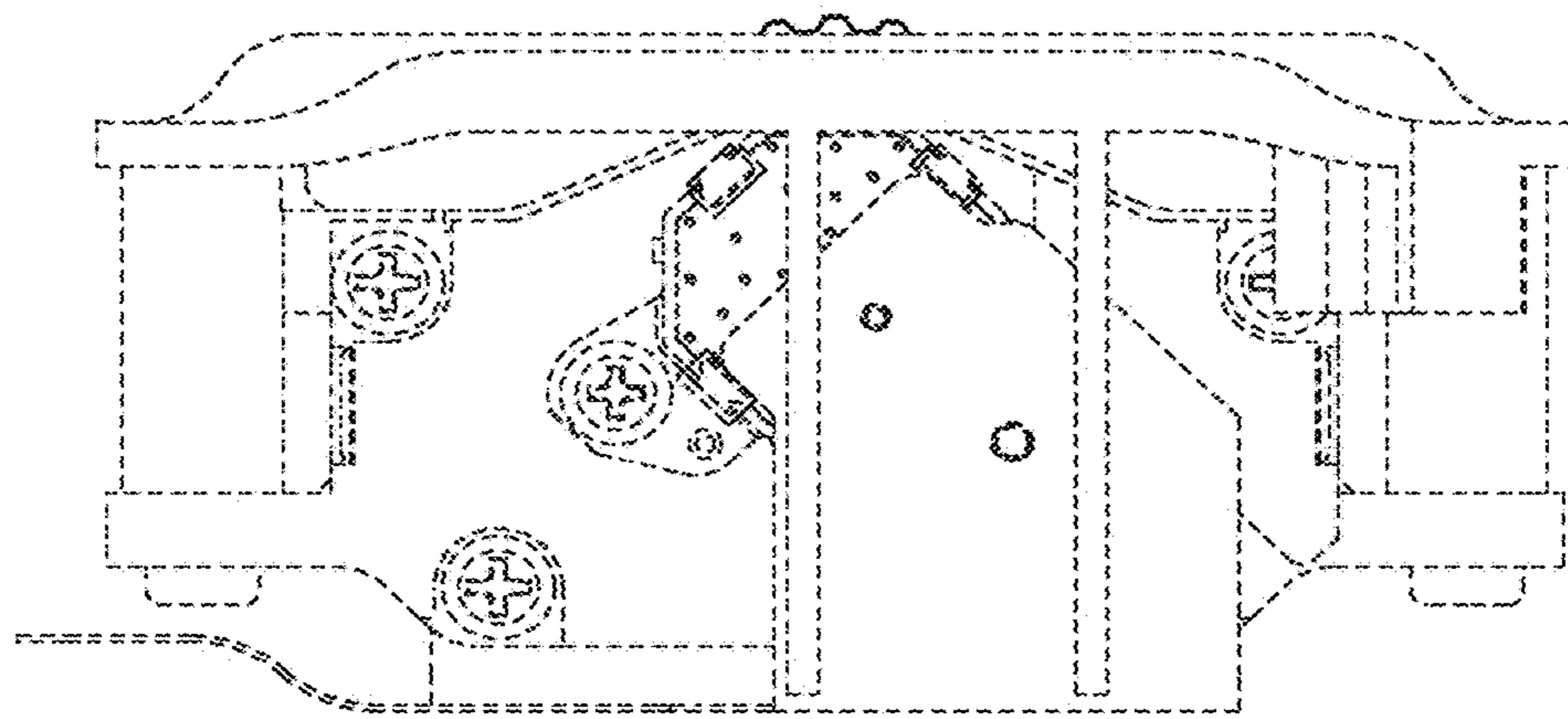


Fig.2

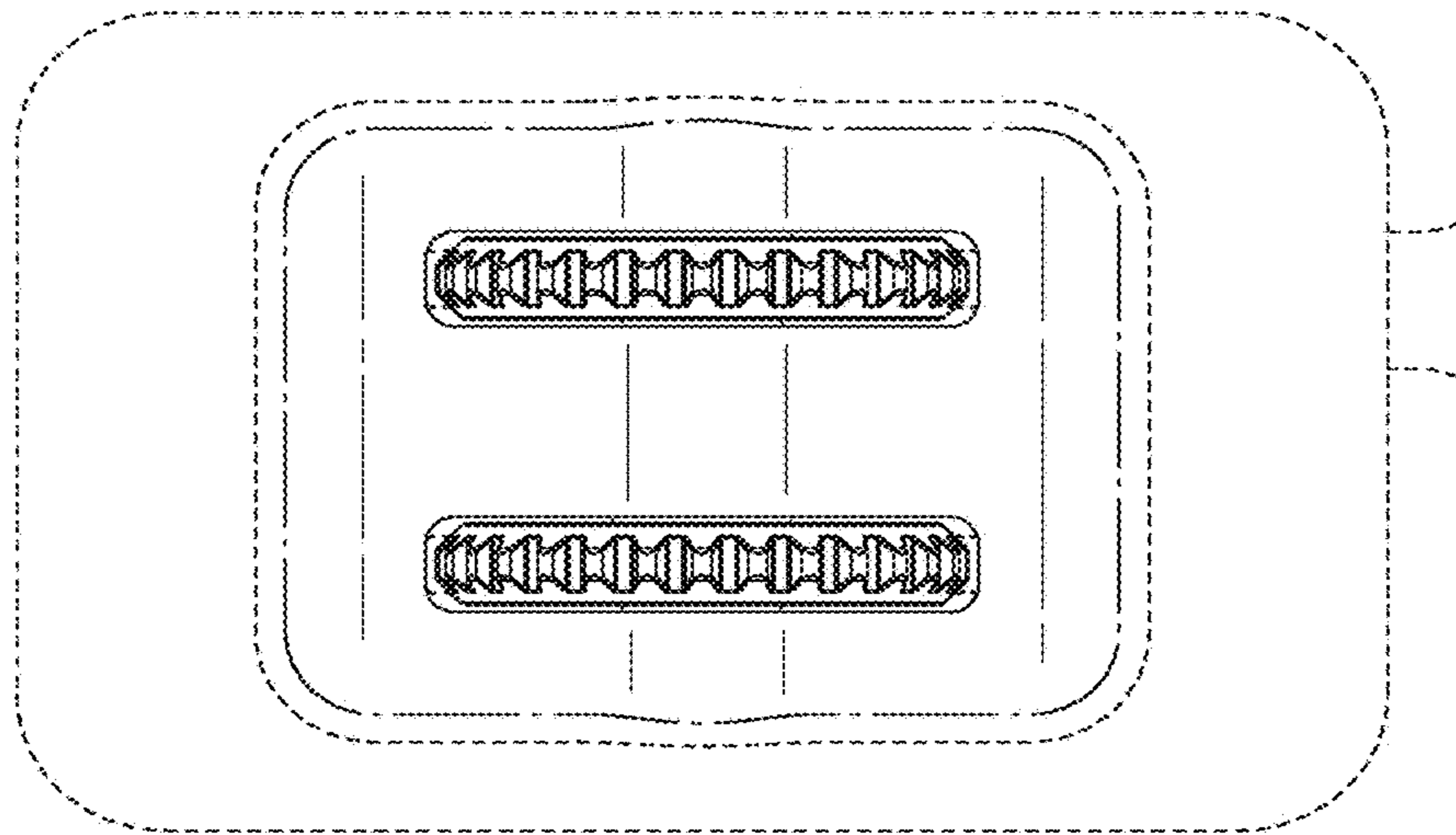


Fig.3

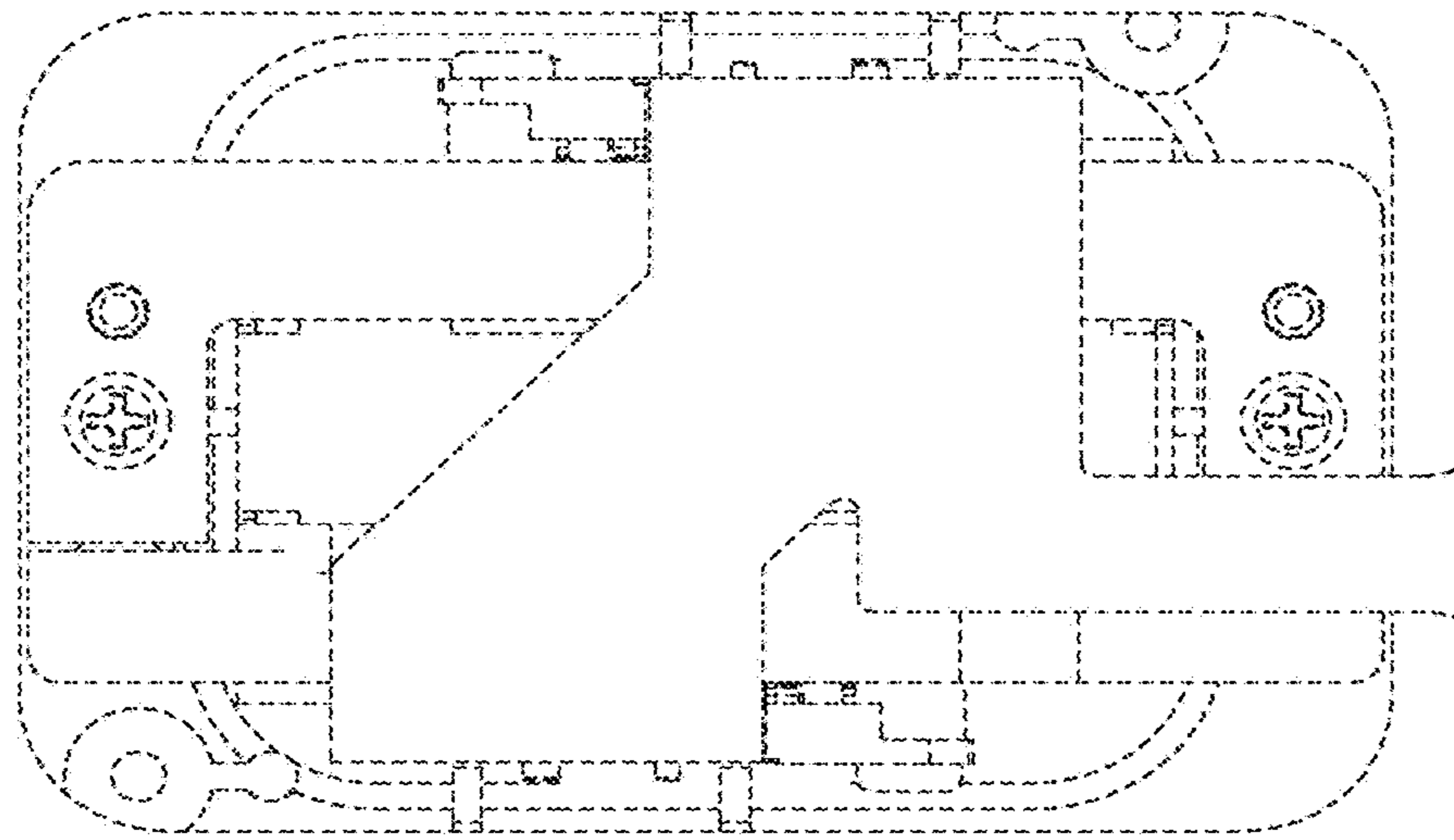


Fig.4

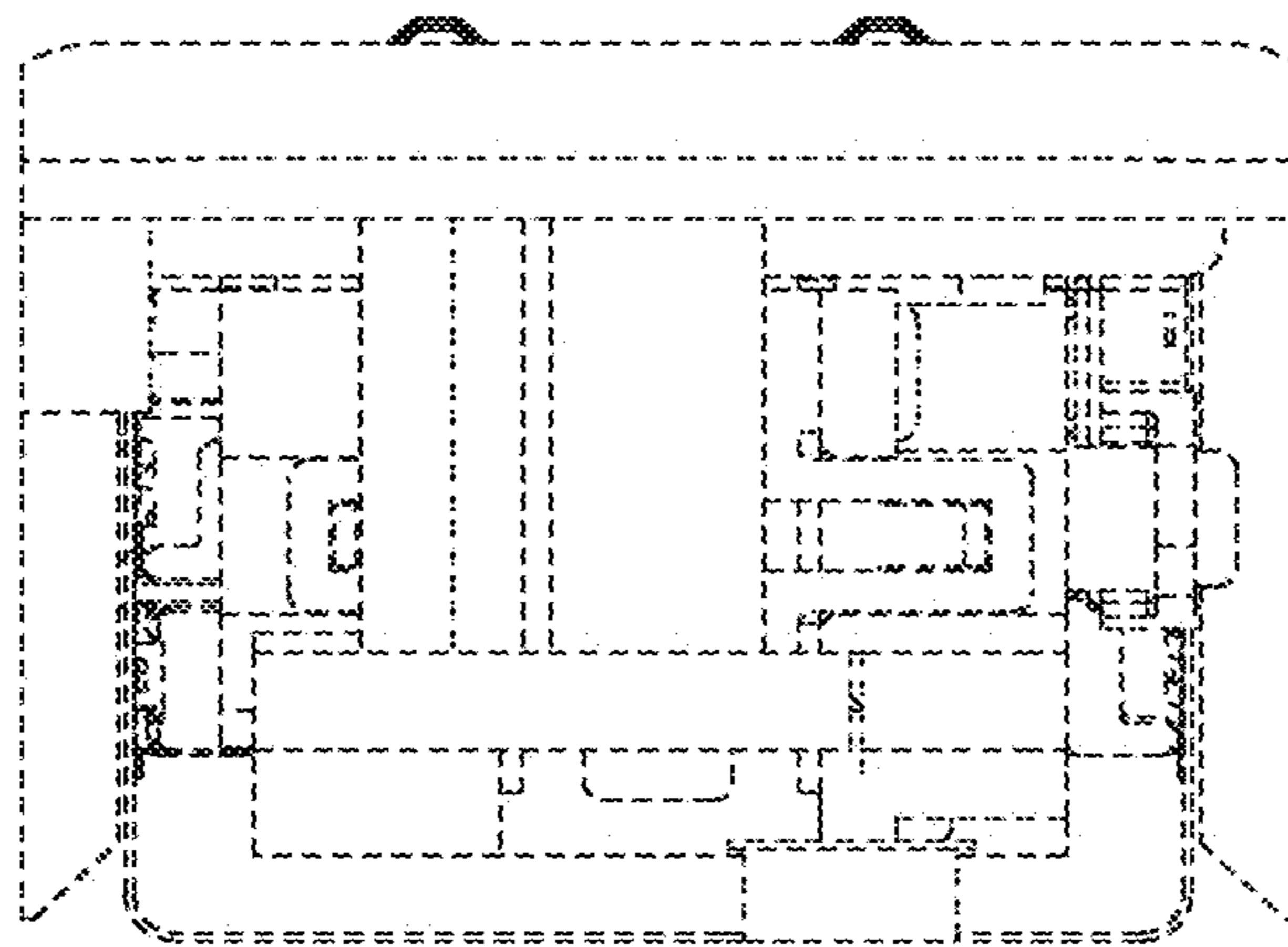


Fig.5

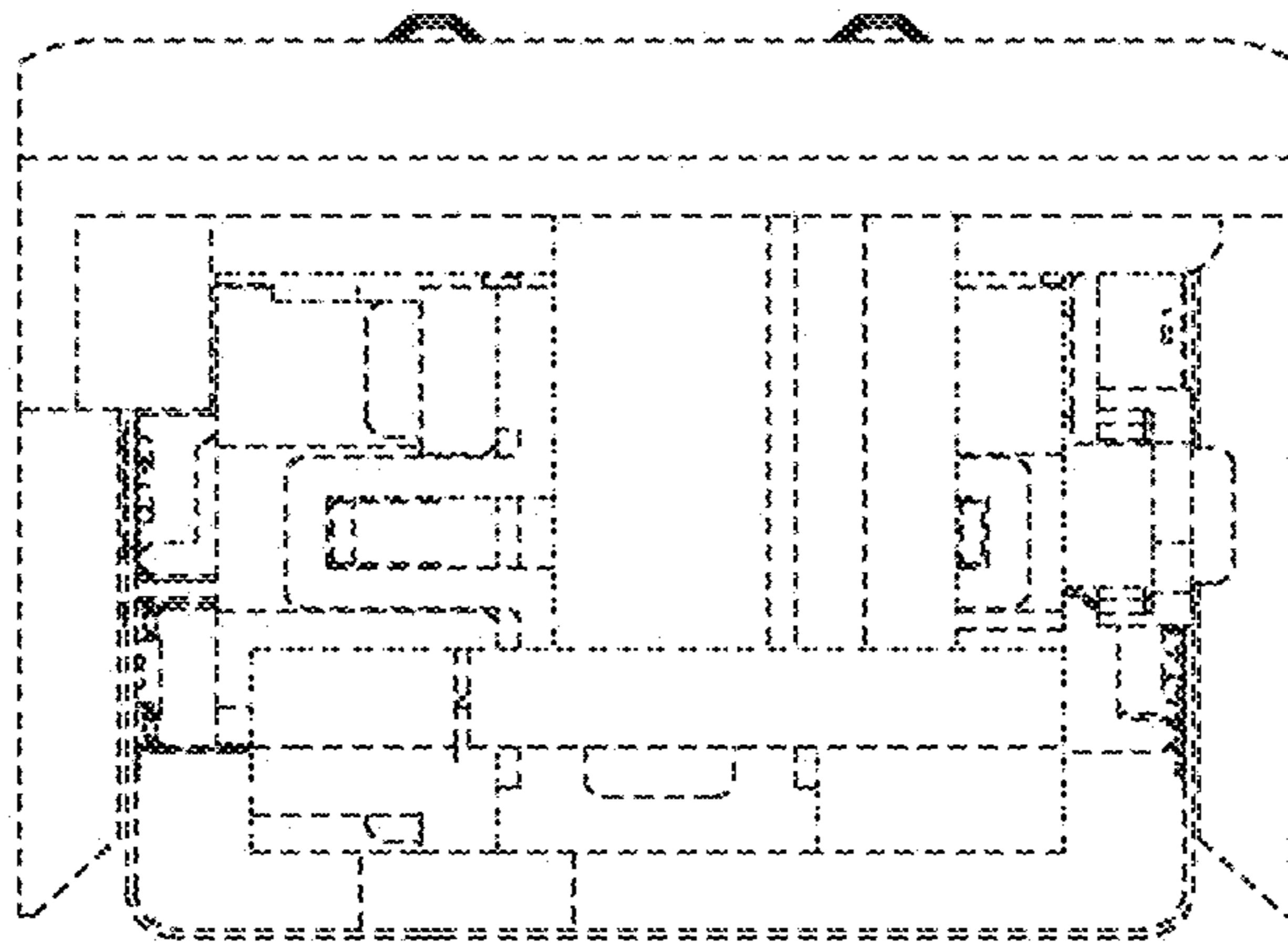


Fig.6

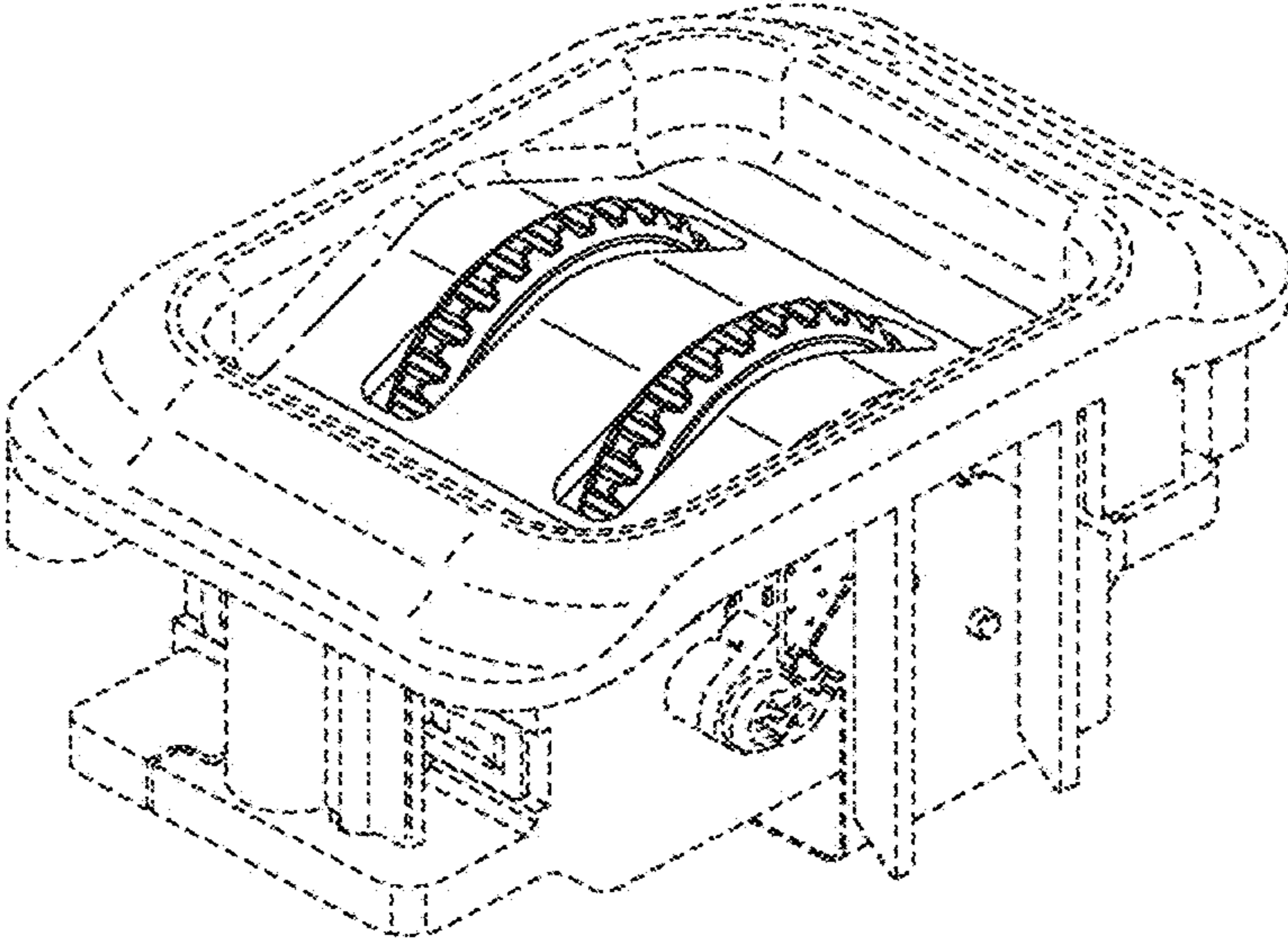


Fig.7

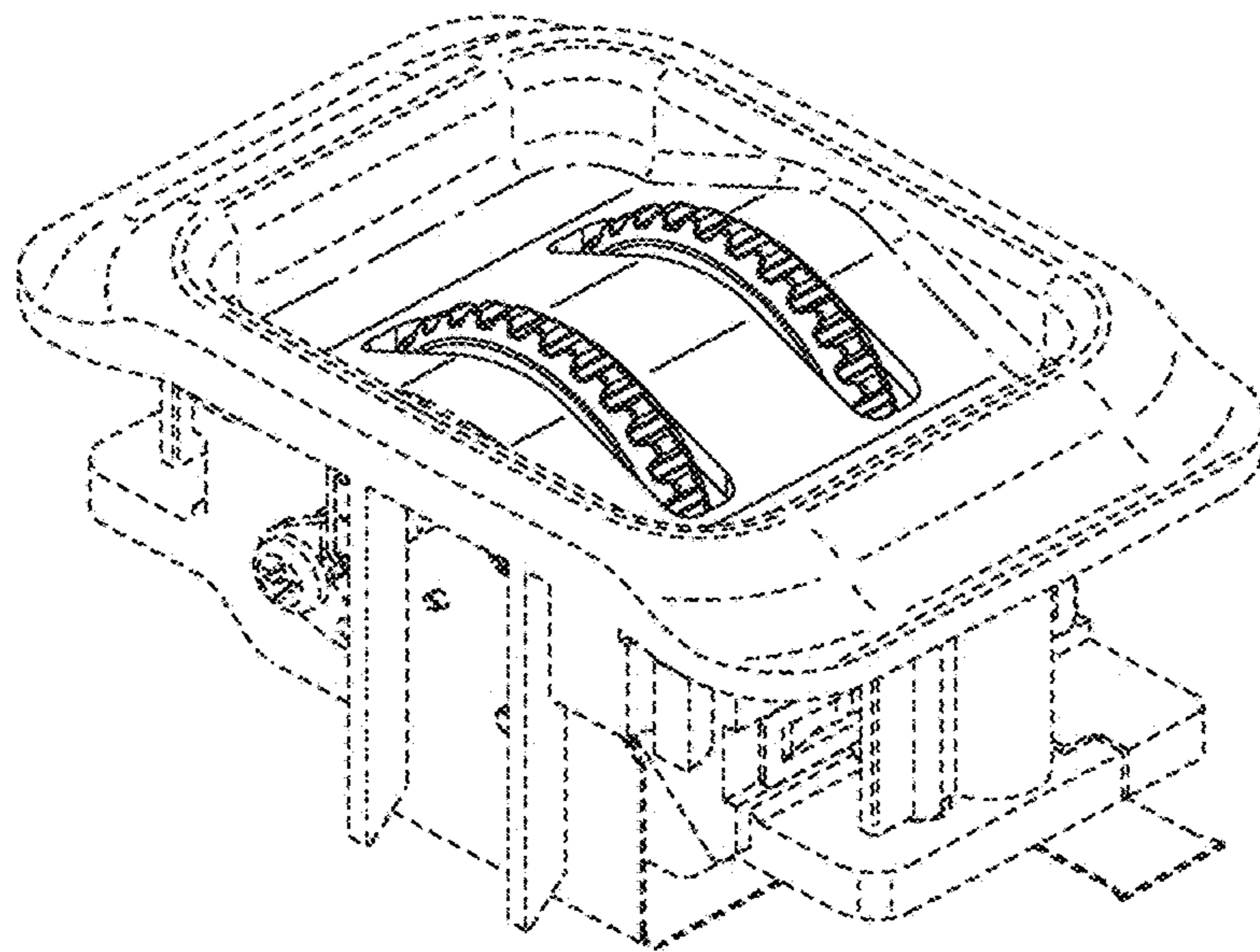


Fig.8

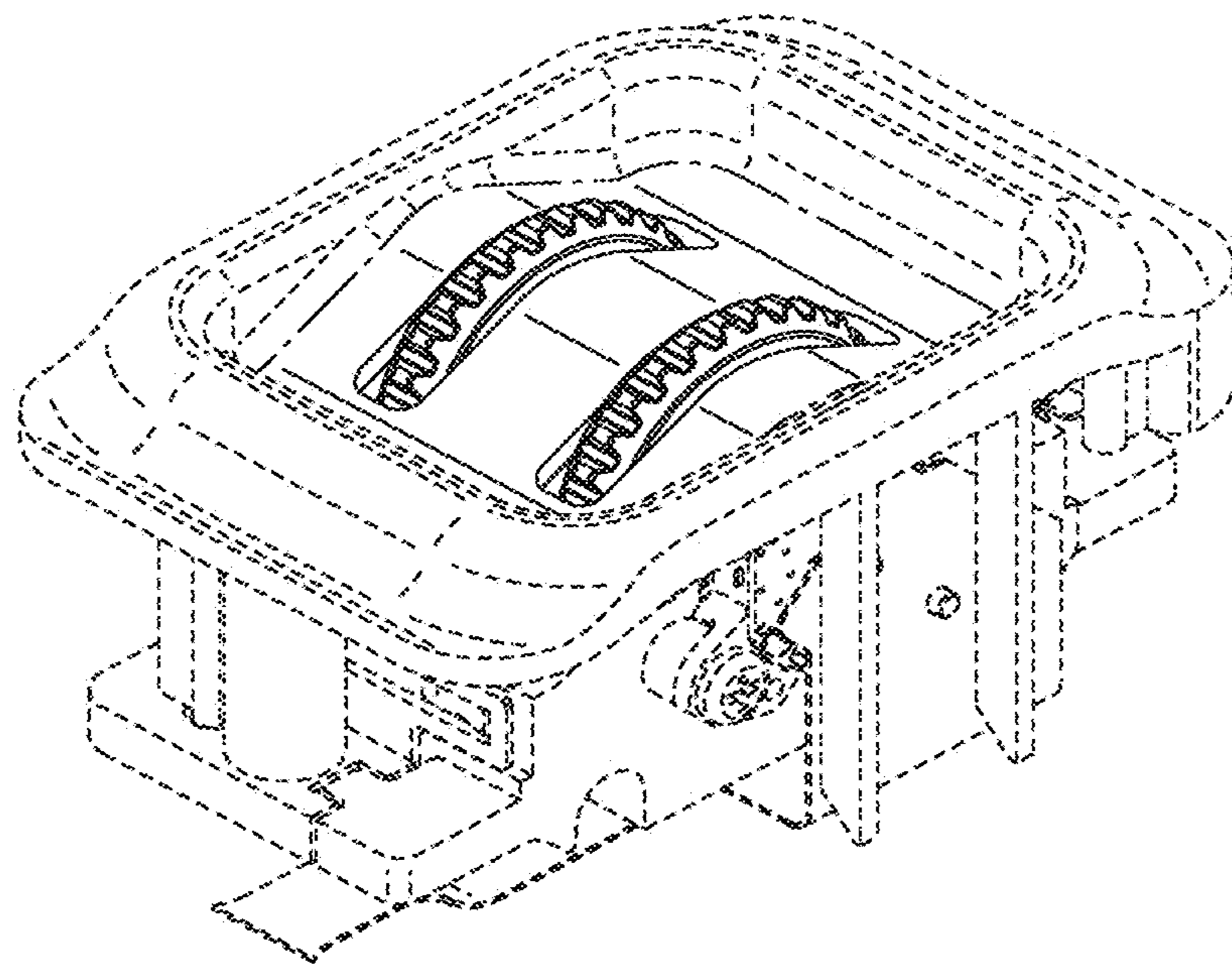


Fig.9

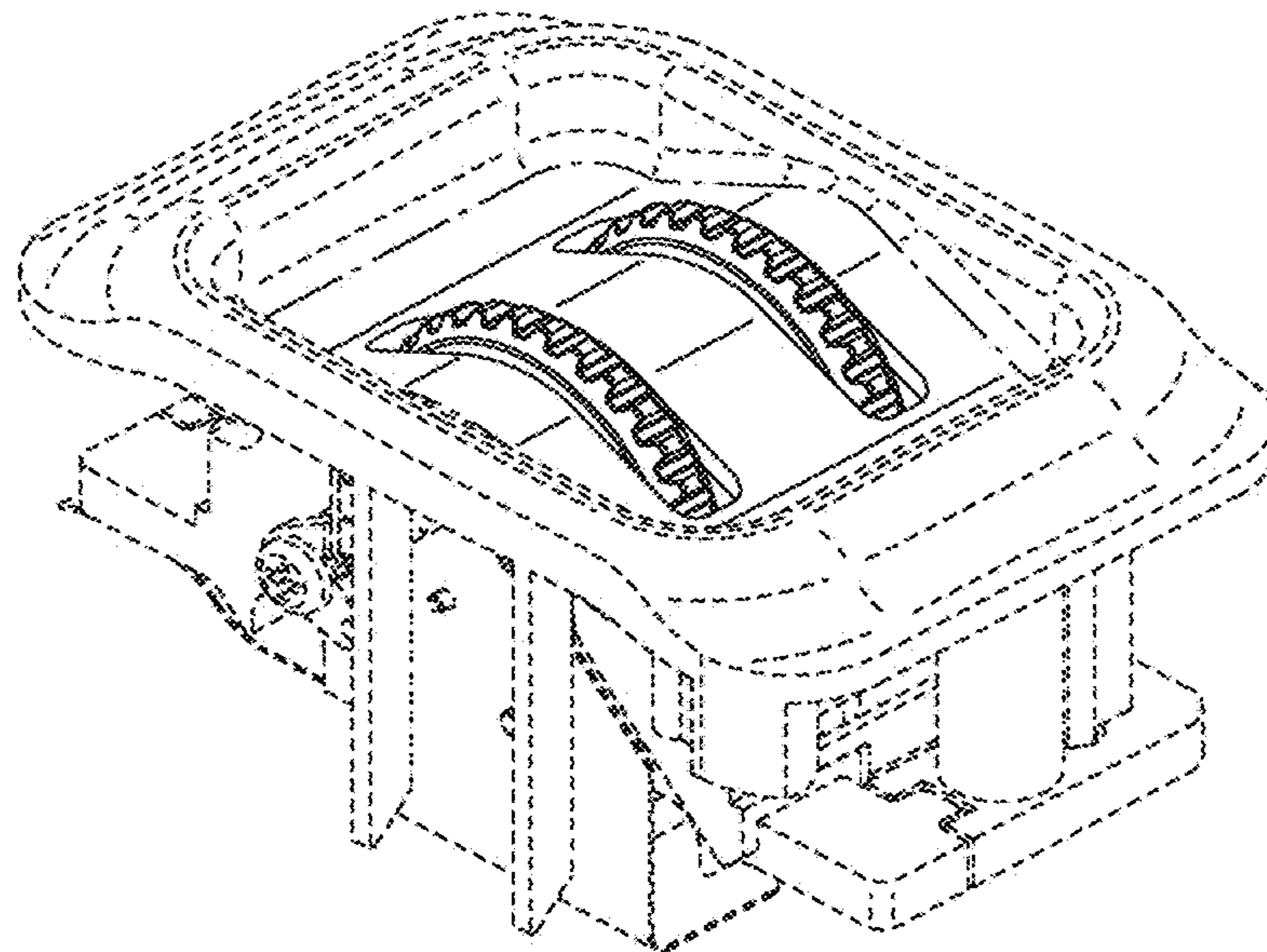


Fig.10