



US00D781250S

(12) **United States Design Patent** (10) **Patent No.:** **US D781,250 S**
Cartwright et al. (45) **Date of Patent:** **** Mar. 14, 2017**

- (54) **REMOTE CONTROL**
- (71) Applicant: **VORNADO AIR LLC**, Andover, KS (US)
- (72) Inventors: **Brian M. Cartwright**, Wichita, KS (US); **Glen W. Ediger**, North Newton, KS (US); **Timothy Holub**, Cheney, KS (US); **Gary P. Israel**, Andover, KS (US)
- (73) Assignee: **Vornado Air LLC**, Andover, KS (US)
- (**) Term: **15 Years**
- (21) Appl. No.: **29/546,745**
- (22) Filed: **Nov. 25, 2015**
- (51) **LOC (10) Cl.** **14-03**
- (52) **U.S. Cl.**
USPC **D13/168**
- (58) **Field of Classification Search**
USPC D13/162, 164, 168; D14/191, 218
CPC H03J 1/0025; H01H 9/02; H01H 9/0214; H01H 9/0235; H01H 9/0242; H04B 1/202; G08C 17/00; G08C 17/02; G08C 19/28; G08C 23/04; F24F 11/0006; F24F 11/0009; F24F 11/0012; F24F 2011/0068
See application file for complete search history.

(56) **References Cited**

U.S. PATENT DOCUMENTS

D325,912 S *	5/1992	Sakai	D14/191
D344,535 S *	2/1994	Caruso	177/25.16
D405,424 S *	2/1999	Winkler	D13/168
D460,053 S *	7/2002	Choi	D13/168
D464,328 S *	10/2002	Vasquez	D13/164
D504,691 S *	5/2005	Ohno	D14/496
D575,790 S *	8/2008	Ledbetter	D14/455

D633,910 S *	3/2011	Cacioppo	D14/218
D642,992 S *	8/2011	Sasaki	D13/164
D683,320 S *	5/2013	Strother	D13/168
D691,970 S *	10/2013	Wu	D13/168
9,342,081 B2 *	5/2016	Kawai	F24F 11/006
2014/0368322 A1 *	12/2014	Mullet	G08C 17/02 340/12.5
2015/0262475 A1 *	9/2015	Helmy	G08C 17/02 340/12.3
2016/0215430 A1 *	7/2016	Ha	G08C 17/02

* cited by examiner

Primary Examiner — Selina Sikder
(74) *Attorney, Agent, or Firm* — Milligan PC LLO

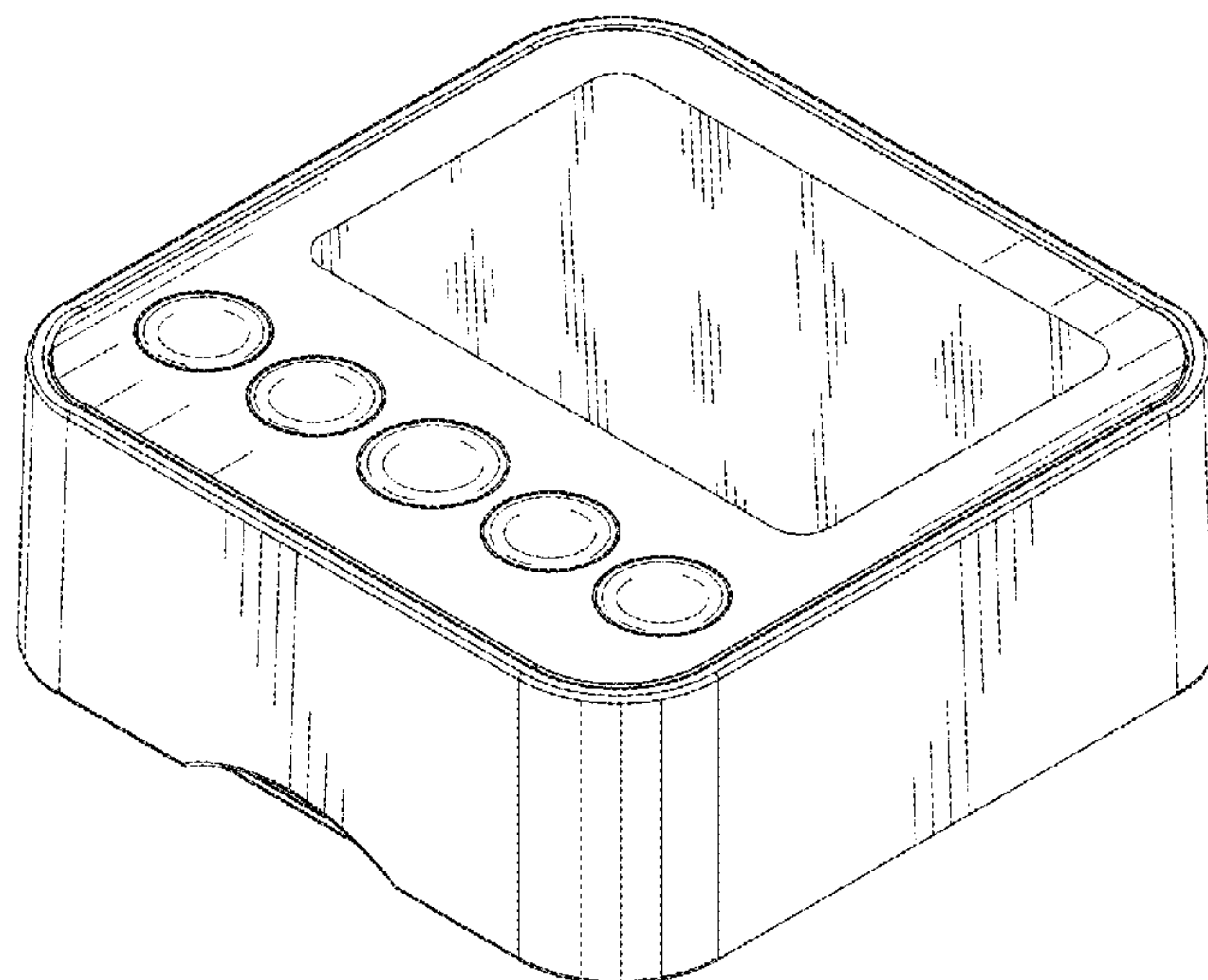
(57) **CLAIM**

The ornamental design for a remote control, as shown and described.

DESCRIPTION

FIG. 1 is a front, right, top perspective view of the remote control;
 FIG. 2 is a rear, right, top perspective view of the remote control of FIG. 1;
 FIG. 3 is a top plan view of the remote control of FIG. 1;
 FIG. 4 is a rear, right, bottom perspective view of the remote control of FIG. 1;
 FIG. 5 is a front, right, bottom perspective view of the remote control of FIG. 1;
 FIG. 6 is a bottom plan view of the remote control of FIG. 1;
 FIG. 7 is a left elevation view of the remote control of FIG. 1;
 FIG. 8 is a right elevation view of the remote control of FIG. 1; and,
 FIG. 9 is a front elevation view of the remote control of FIG. 1.

1 Claim, 9 Drawing Sheets



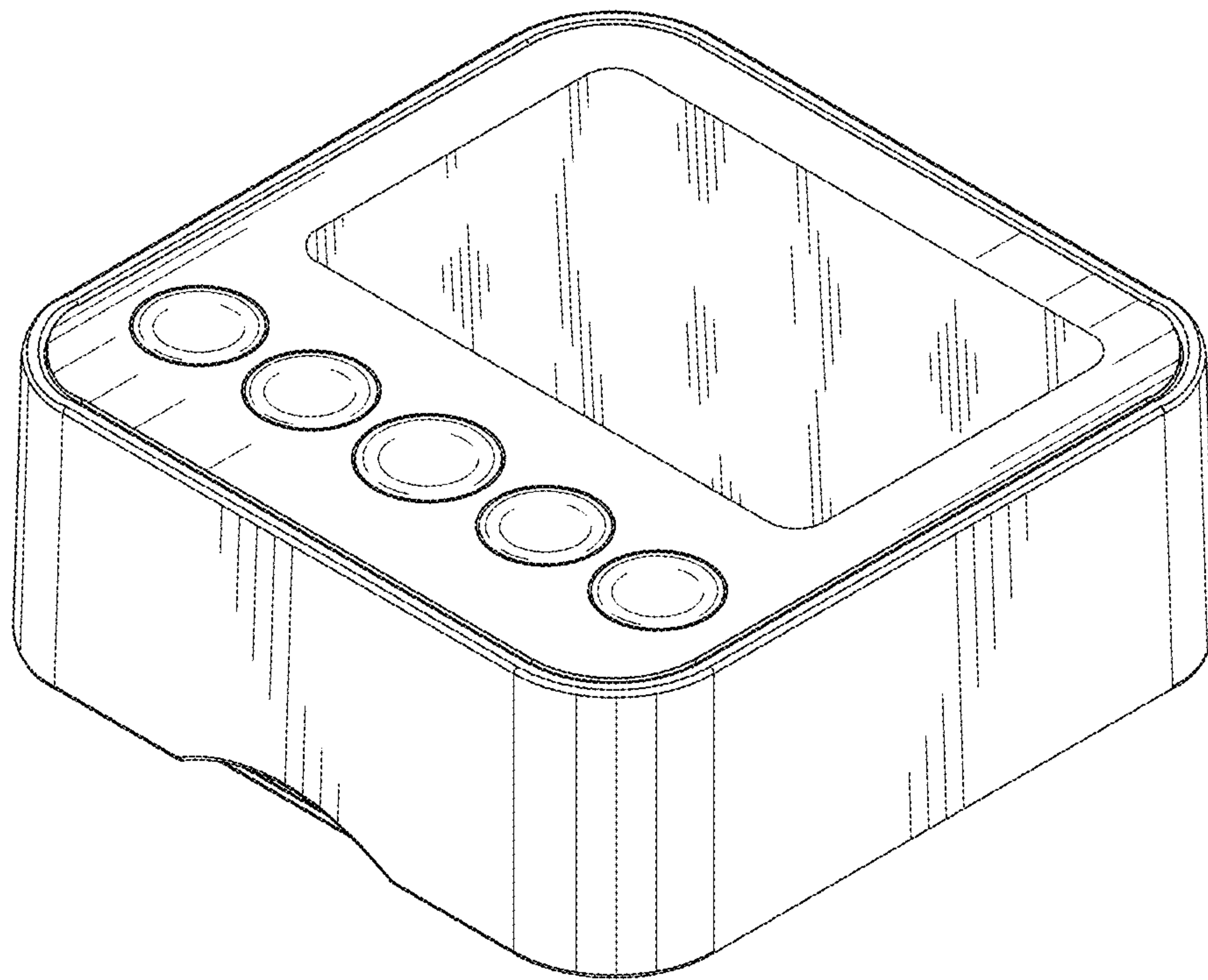


FIG. 1

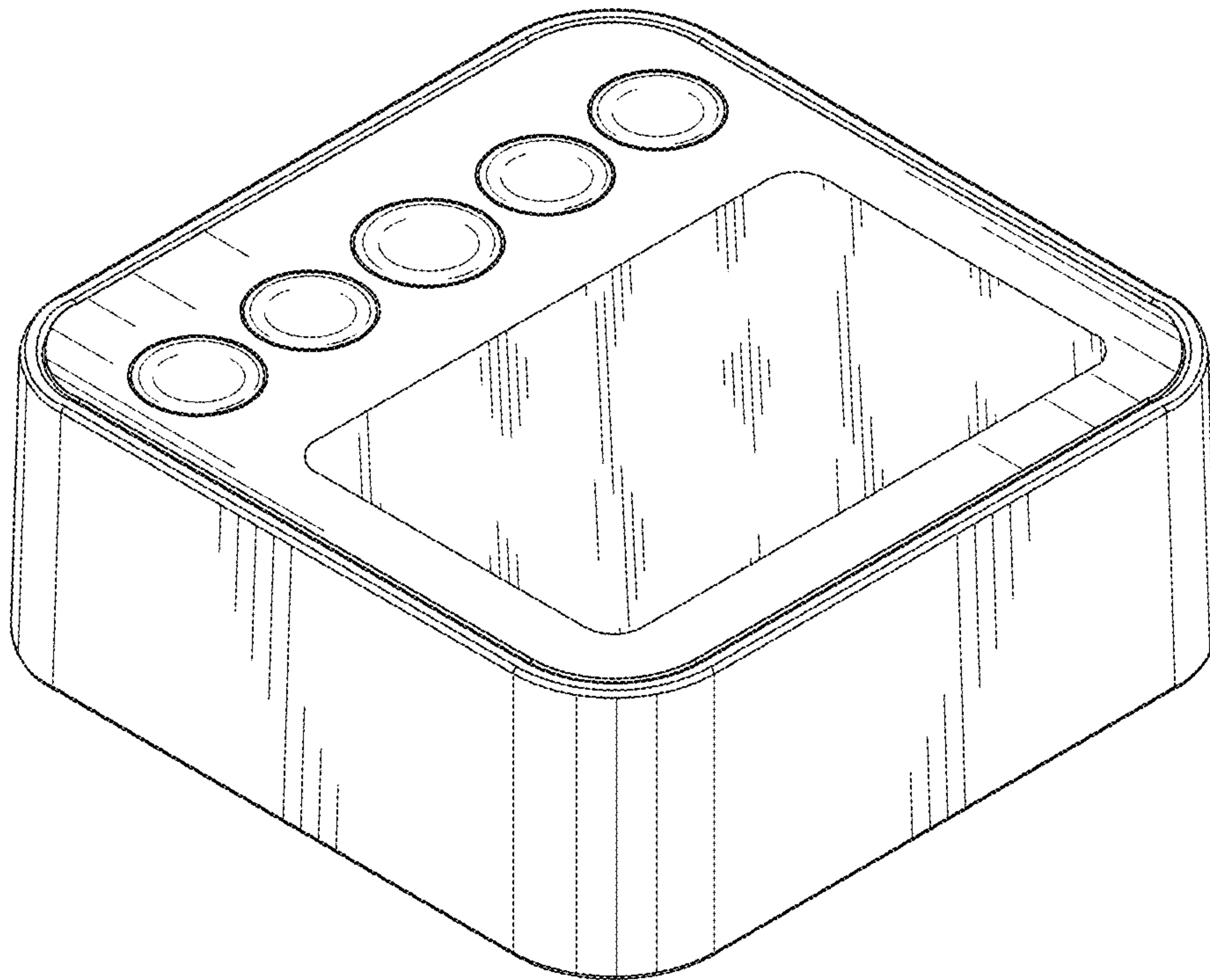


FIG. 2

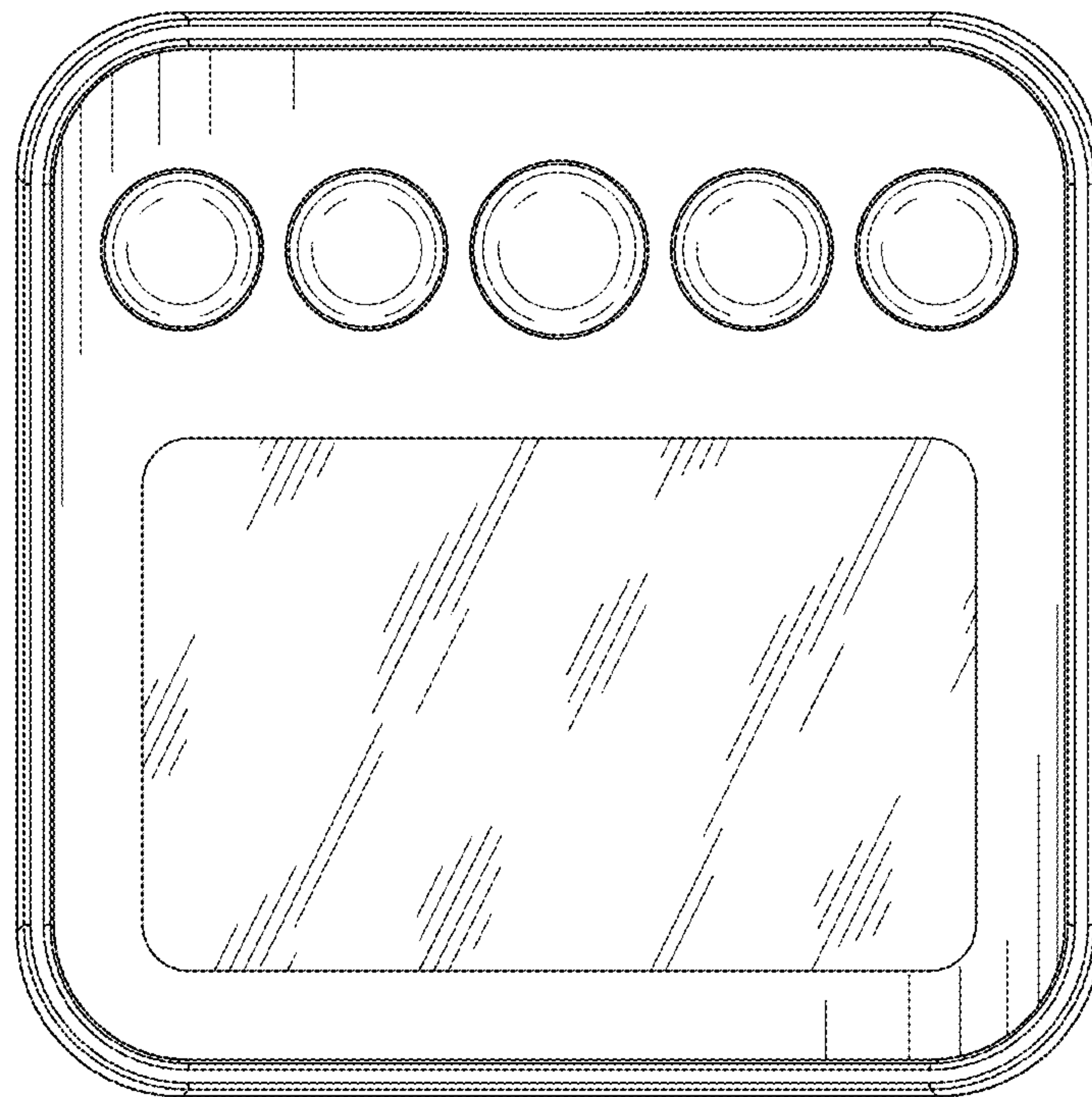


FIG. 3

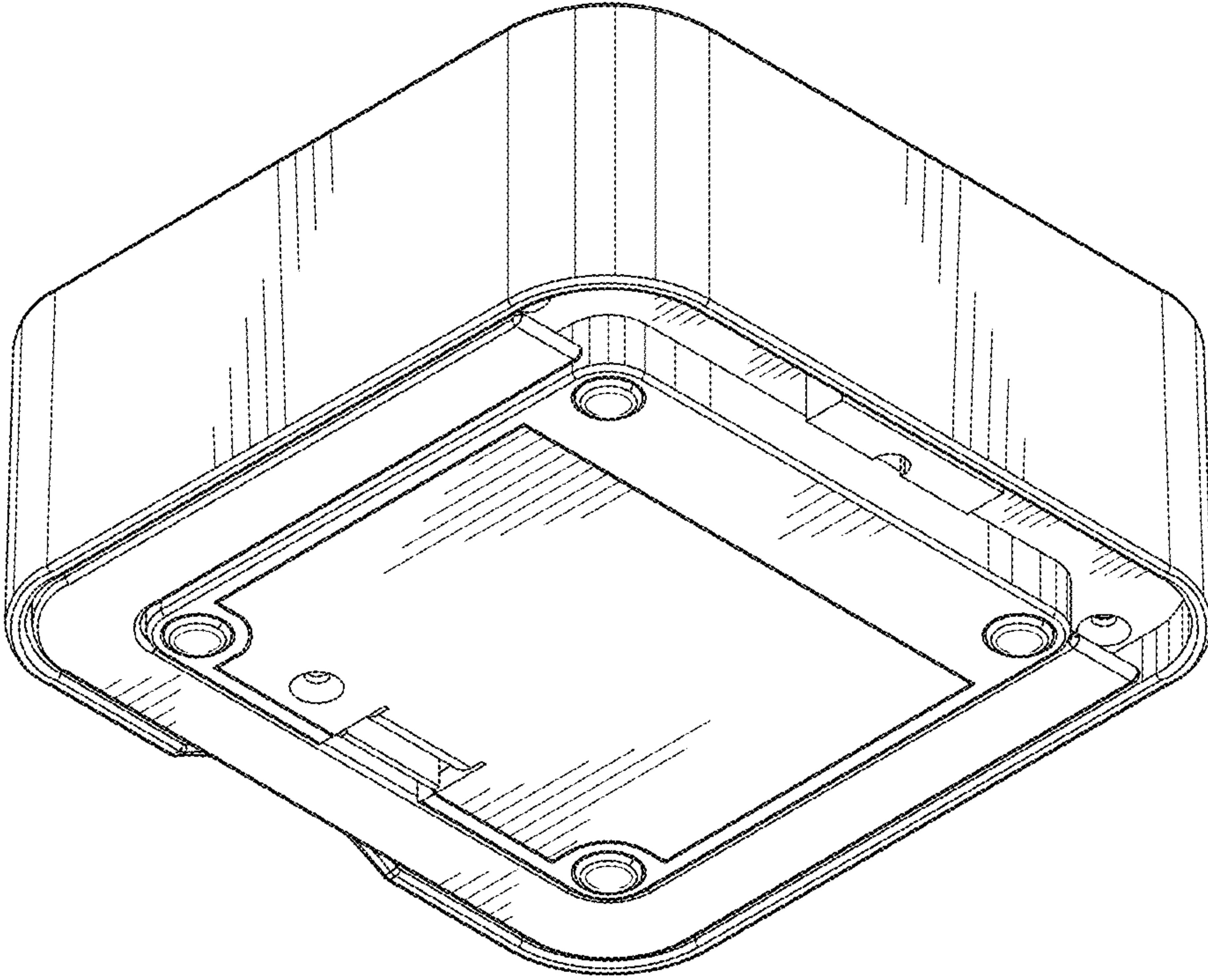


FIG. 4

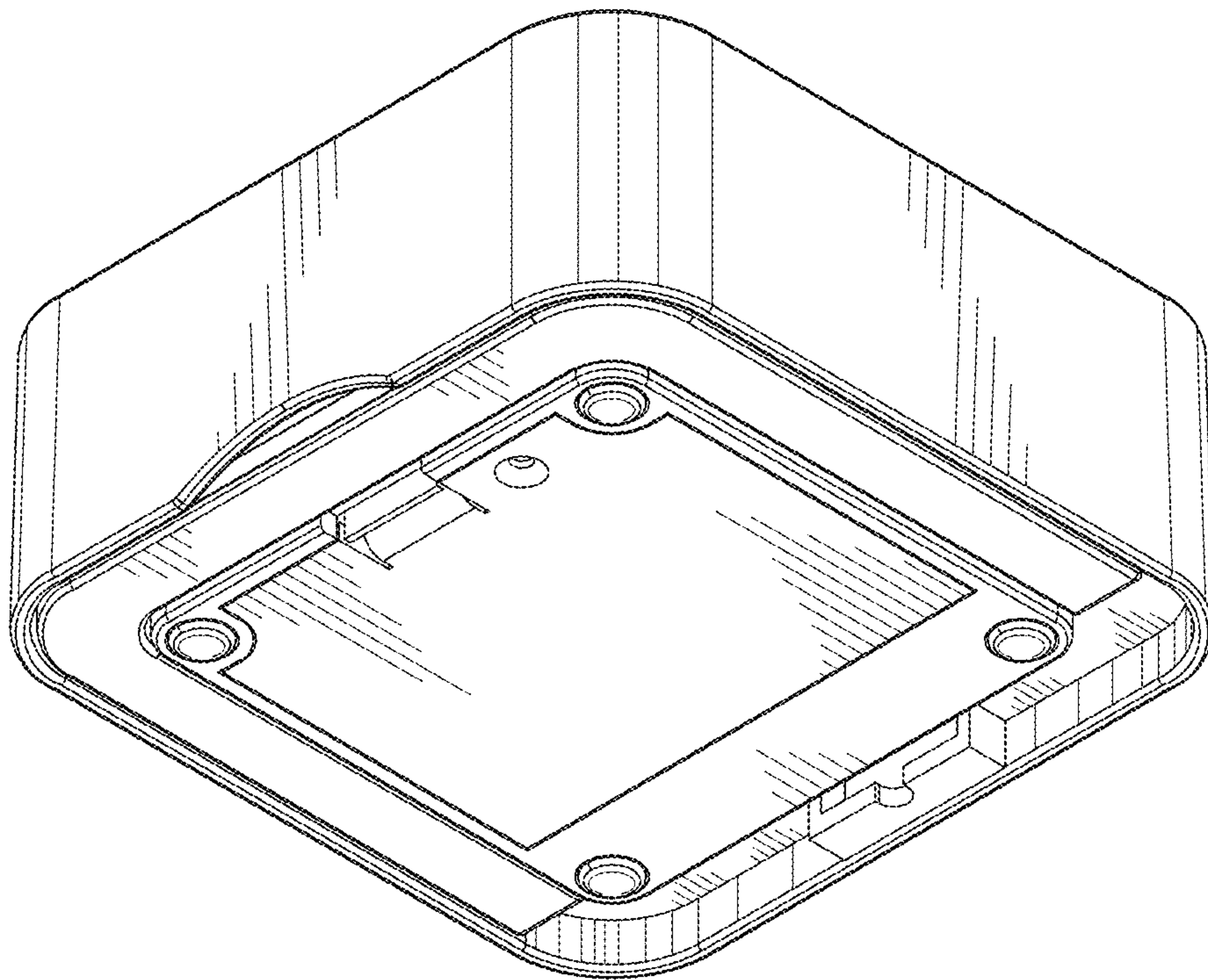


FIG. 5

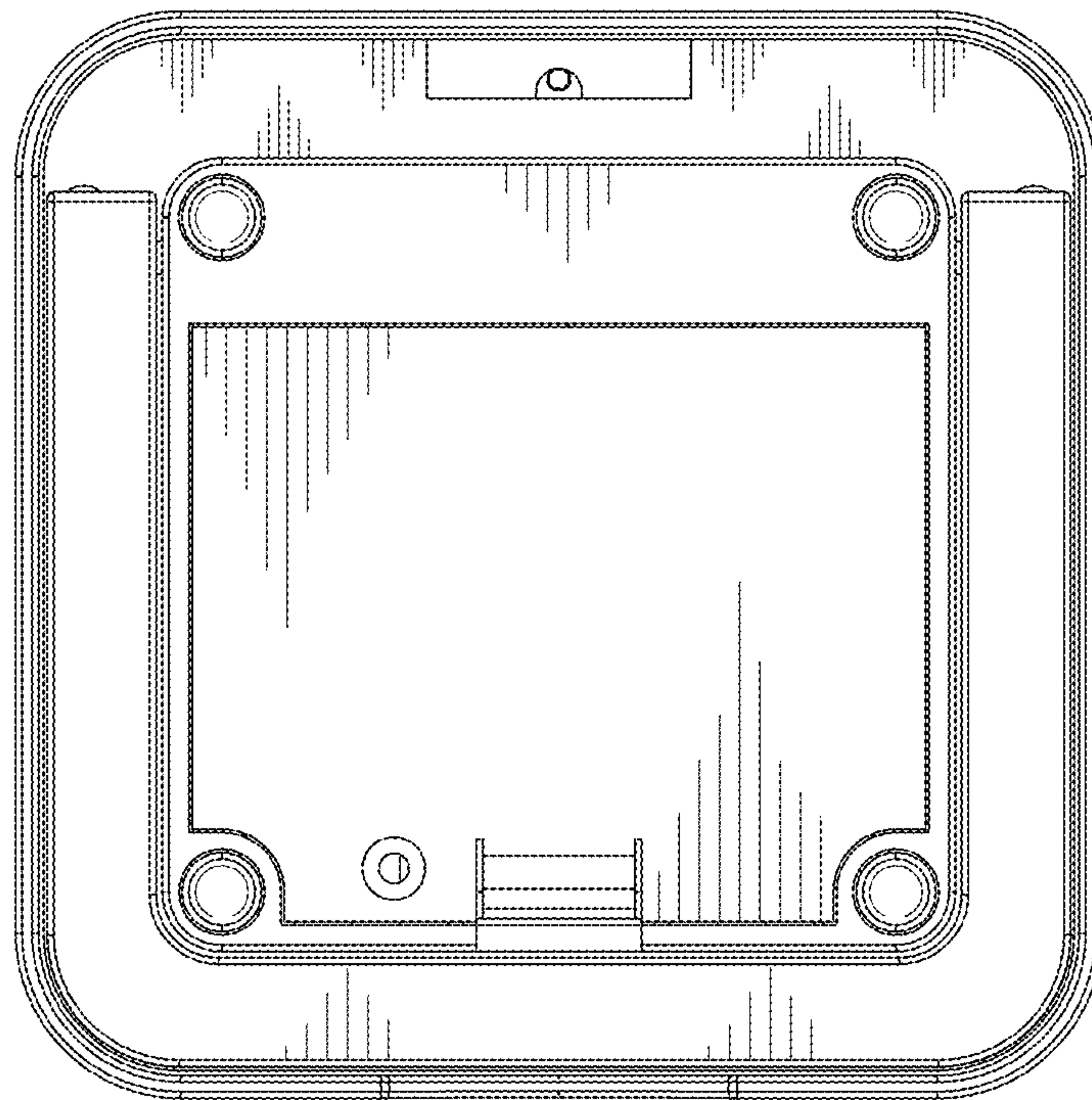


FIG. 6

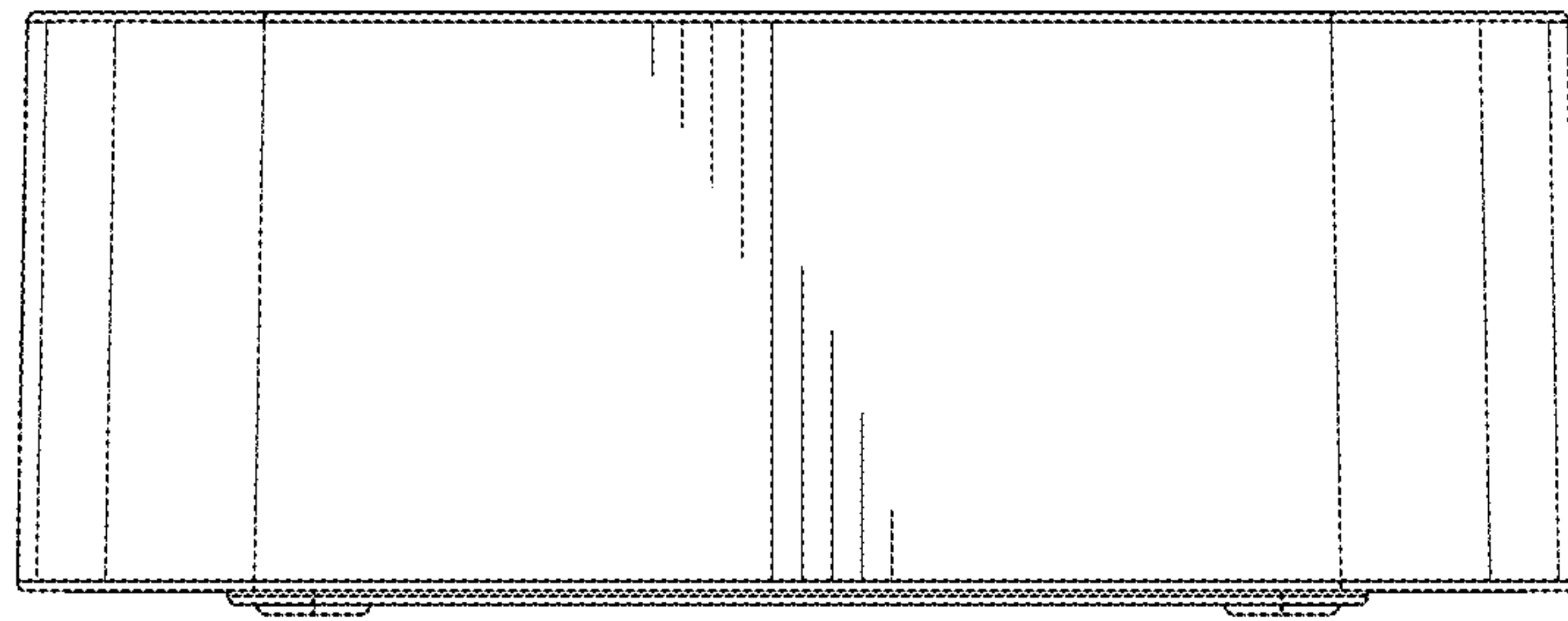


FIG. 7

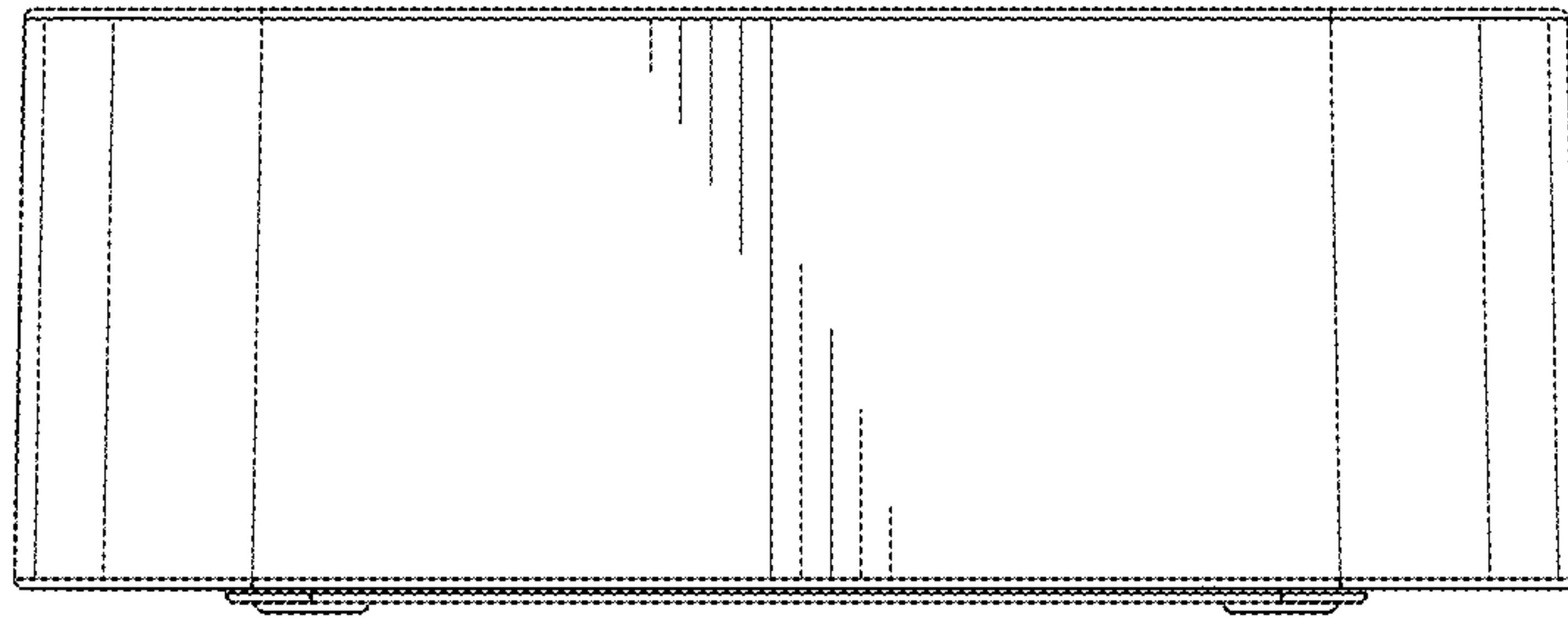


FIG. 8

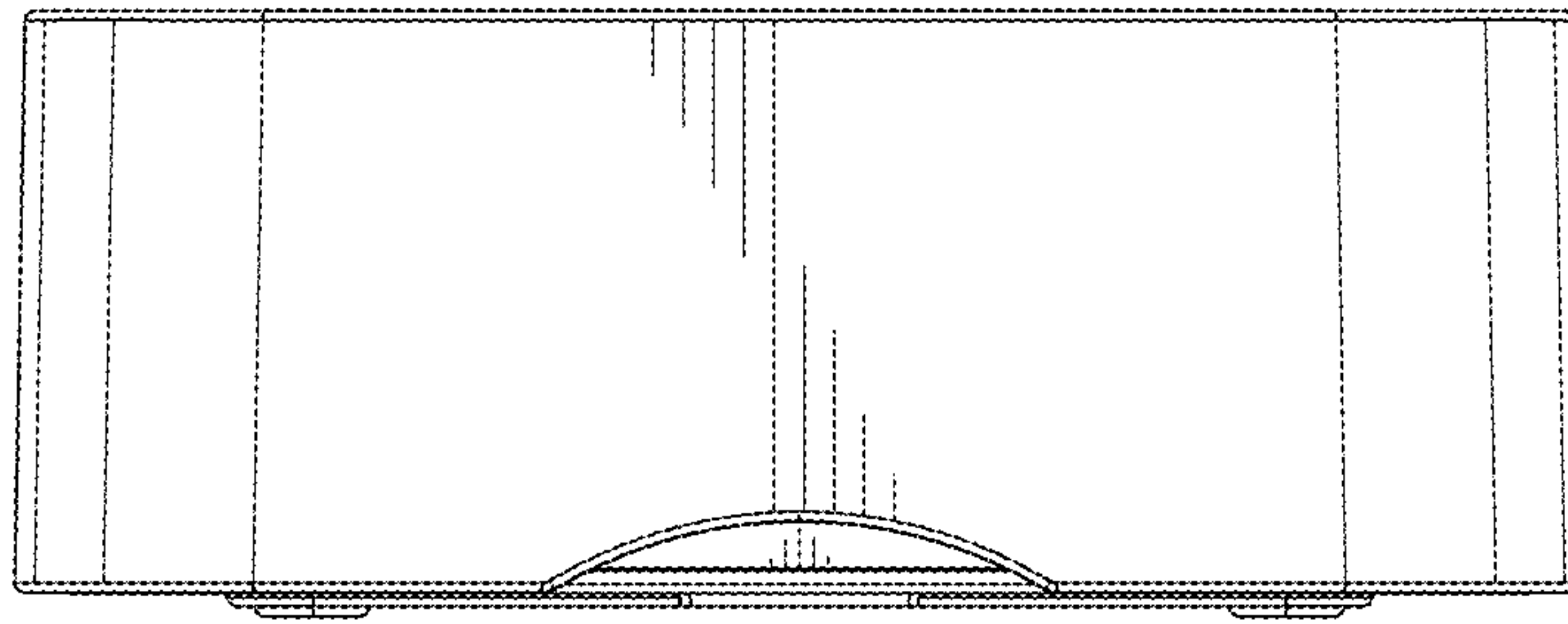


FIG. 9