



US00D781249S

(12) **United States Design Patent**
Park et al.

(10) **Patent No.:** **US D781,249 S**
(45) **Date of Patent:** **** Mar. 14, 2017**

(54) **REMOTE CONTROLLER**
(71) Applicant: **Samsung Electronics Co., Ltd.**,
Suwon-si (KR)
(72) Inventors: **Jinsoo Park**, Seoul (KR); **Sungwoo Sul**,
Yongin-si (KR)
(73) Assignee: **Samsung Electronics Co., Ltd.**,
Suwon-si (KR)

D475,979 S *	6/2003	Valiga	D13/162
D513,737 S *	1/2006	Riley	D13/162
D569,352 S *	5/2008	Gordon	D13/168
D606,981 S *	12/2009	Kaneko	D14/218
D721,814 S *	1/2015	Creed	D13/168
D725,606 S *	3/2015	Eastman	D13/168
D736,720 S *	8/2015	Jung	D13/168
9,282,936 B2 *	3/2016	Kondo	A61B 6/032
2013/0102883 A1 *	4/2013	Piferi	G01R 33/286 600/417

(**) Term: **15 Years**

* cited by examiner

(21) Appl. No.: **29/541,574**

Primary Examiner — Selina Sikder
(74) *Attorney, Agent, or Firm* — NSIP Law

(22) Filed: **Oct. 6, 2015**

(57) **CLAIM**

(30) **Foreign Application Priority Data**

We claim the ornamental design for a remote controller, as shown and described.

Jul. 21, 2015 (KR) 30-2015-0036767

DESCRIPTION

(51) **LOC (10) Cl.** **14-03**

(52) **U.S. Cl.**
USPC **D13/168**; D24/158

(58) **Field of Classification Search**
USPC D13/162, 164, 168; D14/218; D24/185,
D24/158, 159
CPC H03J 1/0025; H01H 9/0235; H04B 1/202;
G08C 17/00; G08C 17/02; A61B 5/0017;
A61B 5/7435; A61B 6/0457; A61B
2017/00212

FIG. 1 is a front perspective view of a remote controller showing our new design;
FIG. 2 is a front view thereof;
FIG. 3 is a rear view thereof;
FIG. 4 is a left-side view thereof;
FIG. 5 is a right-side view thereof;
FIG. 6 is a top view thereof;
FIG. 7 is a bottom view;
FIG. 8 is an enlarged view of the encircled portion in FIG. 1;
FIG. 9 is an enlarged view of the encircled portion in FIG. 1; and,
FIG. 10 is a front perspective view of the remote controller in which an MRI is provided in broken lines to illustrate an example environment.
The broken lines in the figures show portions of the remote controller which form no part of the claimed design.

See application file for complete search history.

(56) **References Cited**

U.S. PATENT DOCUMENTS

D393,629 S *	4/1998	Tsui	D13/168
6,198,285 B1 *	3/2001	Kormos	A61B 5/0017 324/318
D442,559 S *	5/2001	Marcomini	D13/162

1 Claim, 10 Drawing Sheets

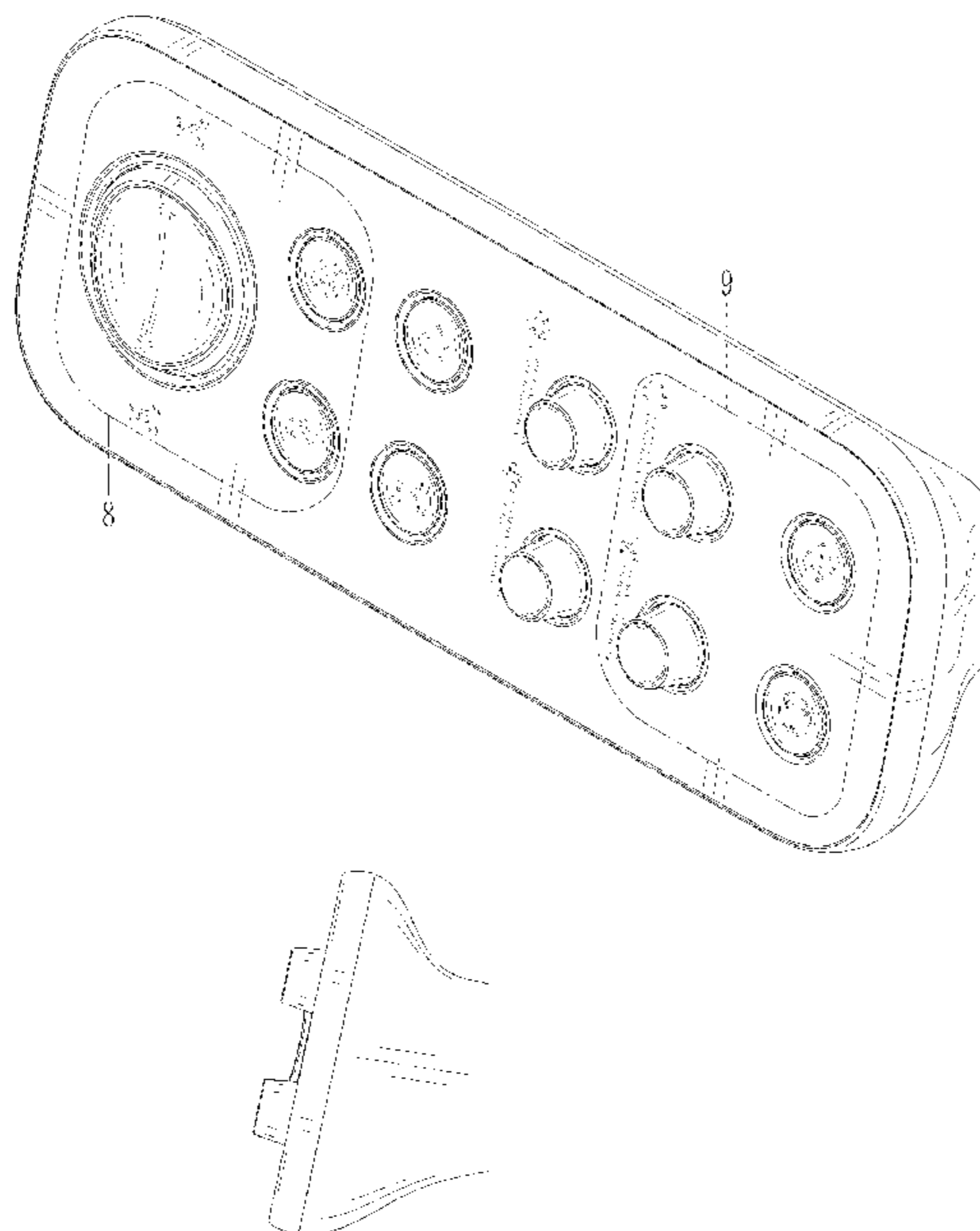


FIG. 1

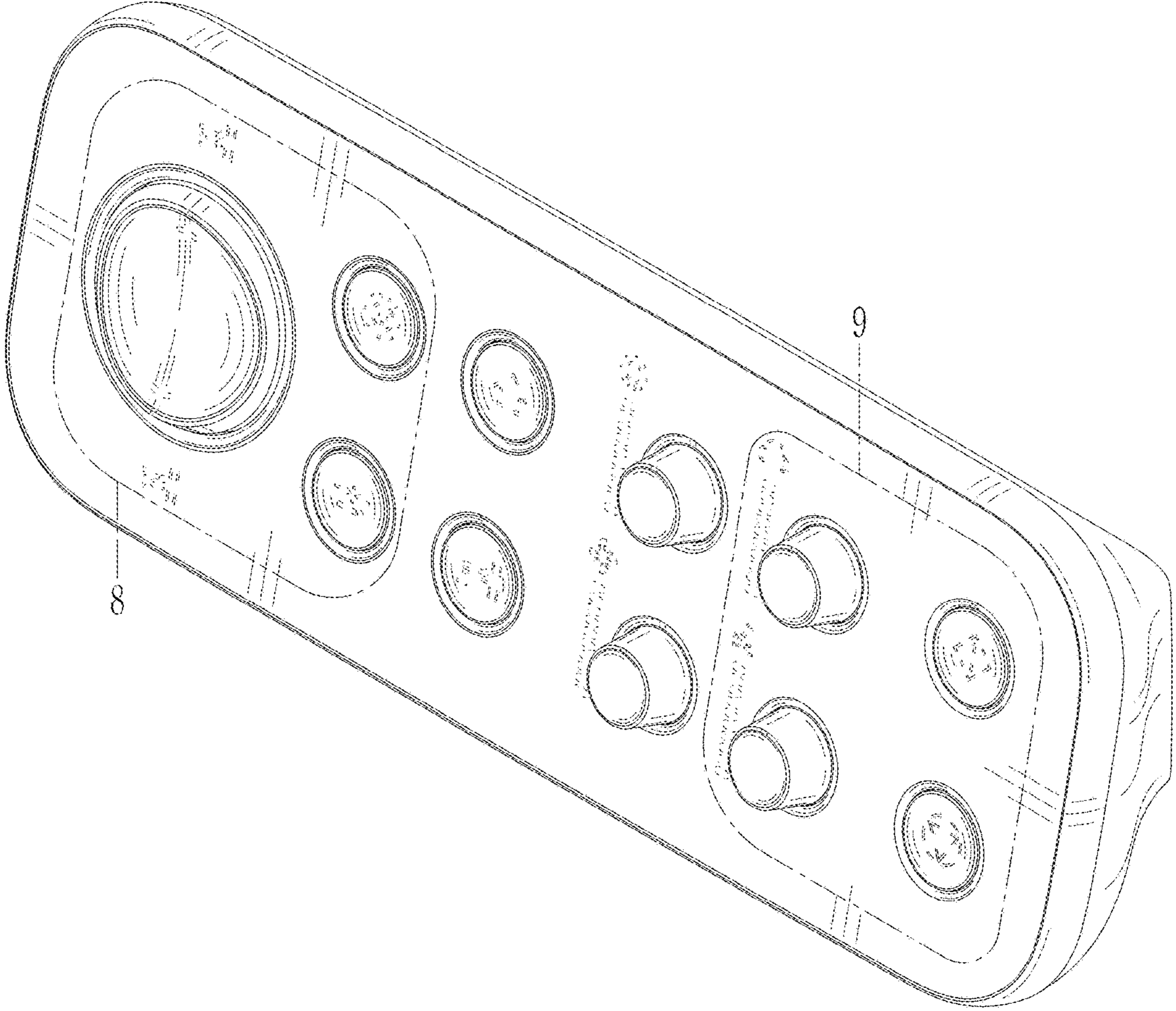


FIG. 2

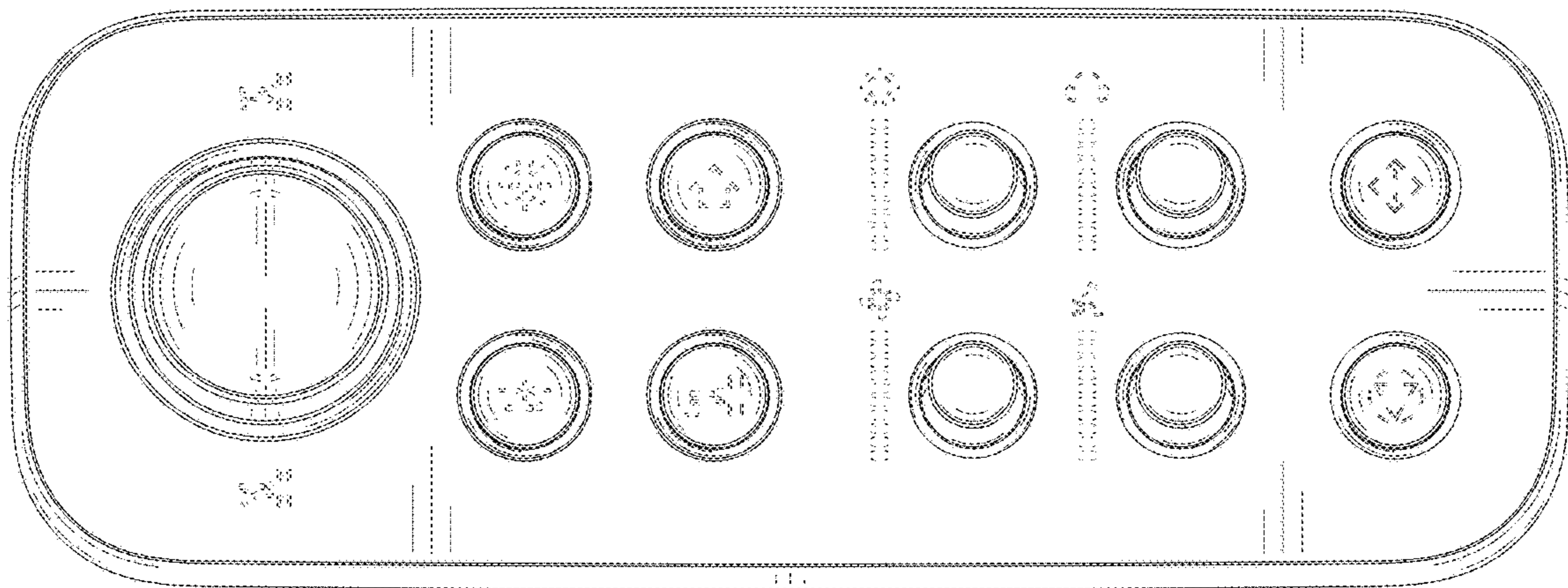


FIG. 3

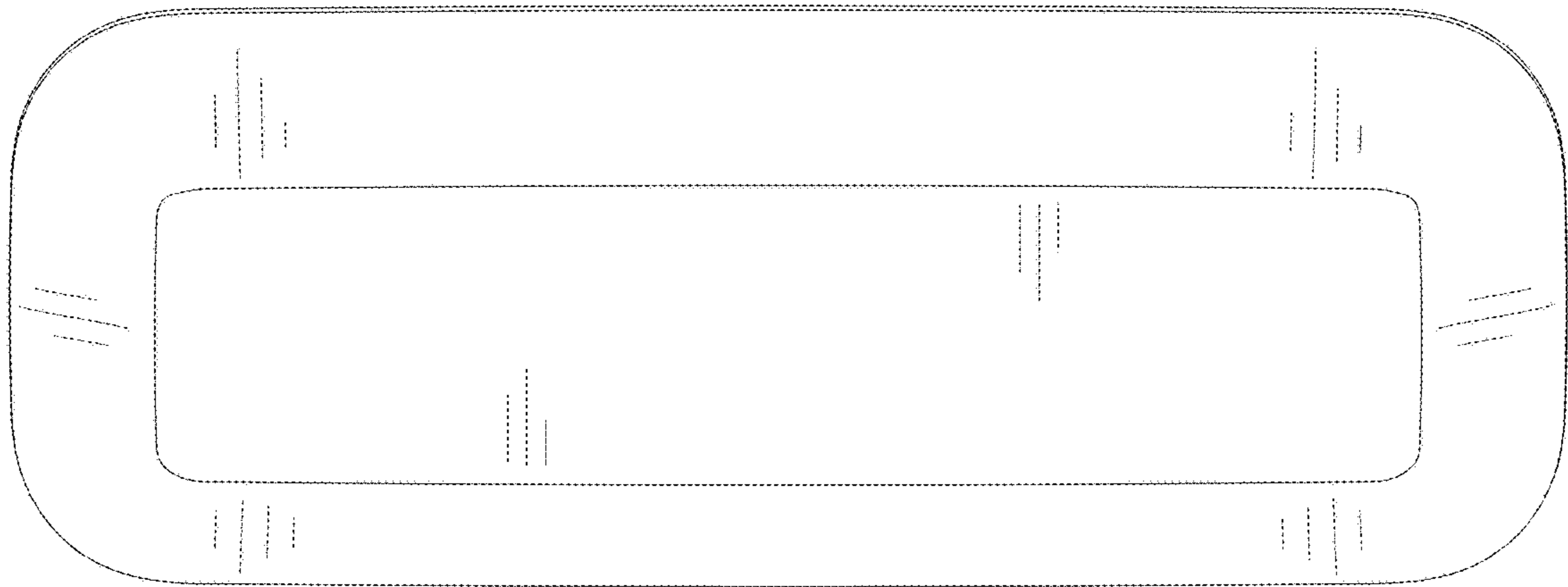


FIG. 4

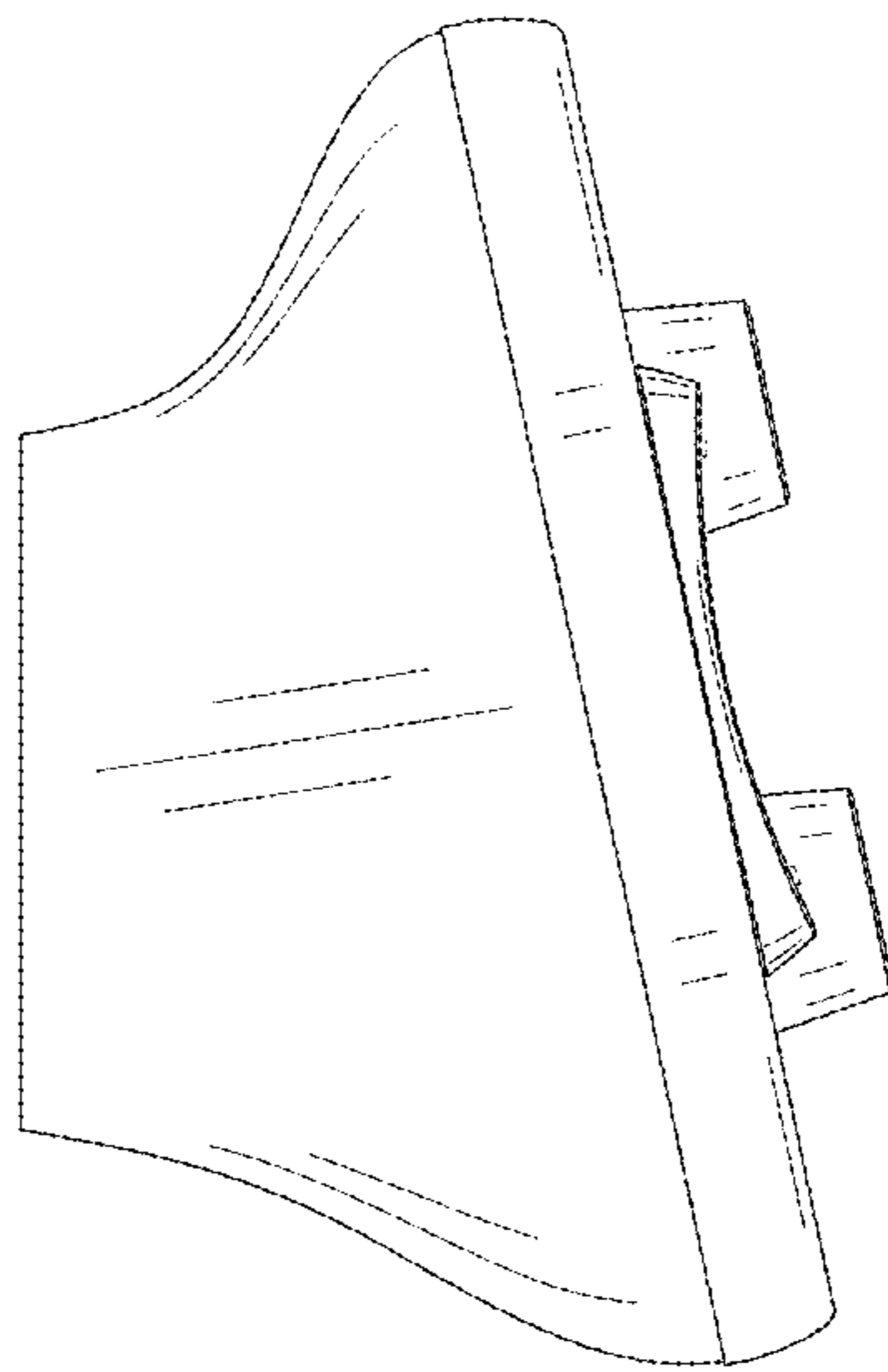


FIG. 5

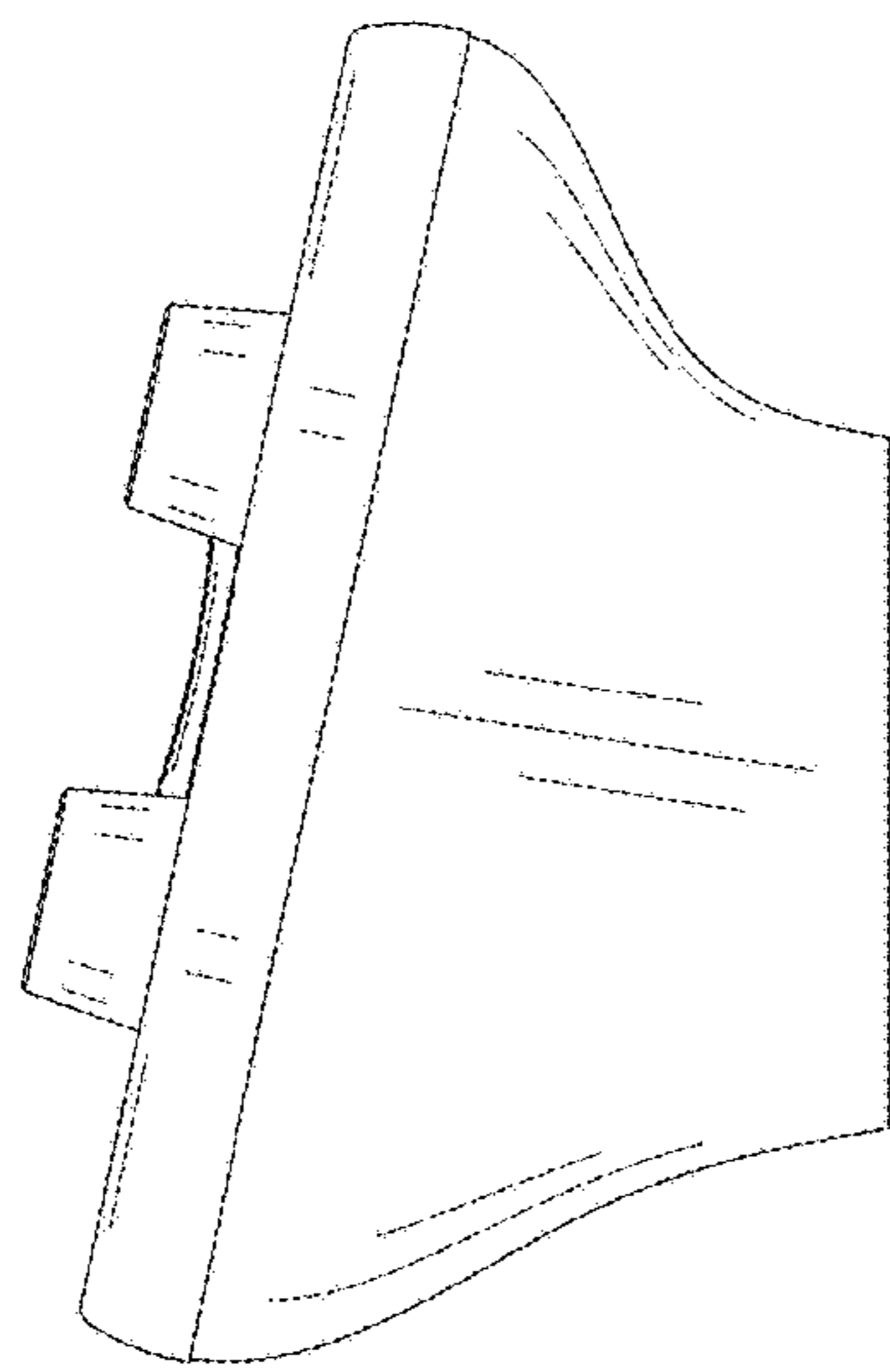


FIG. 6

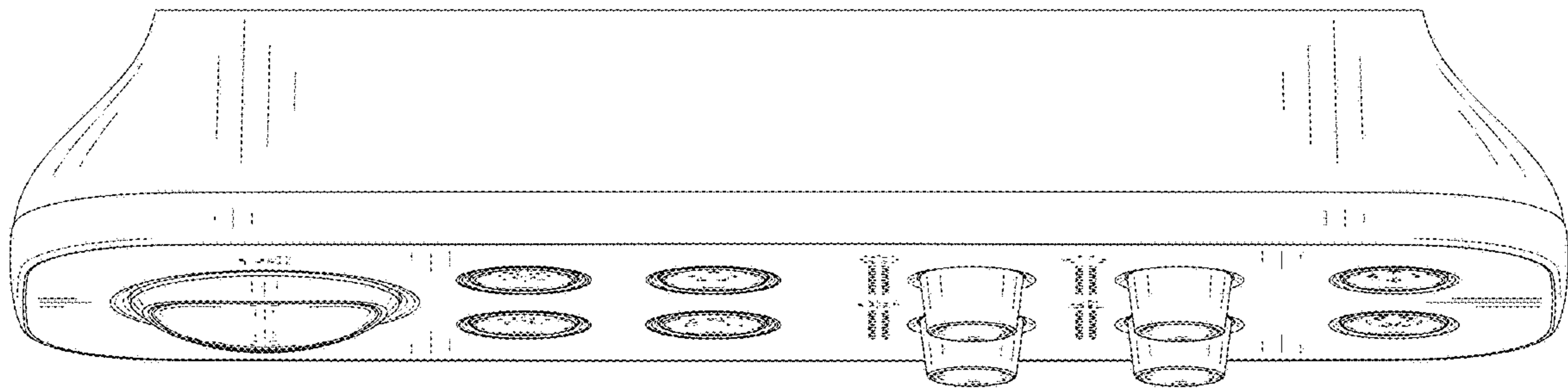


FIG. 7

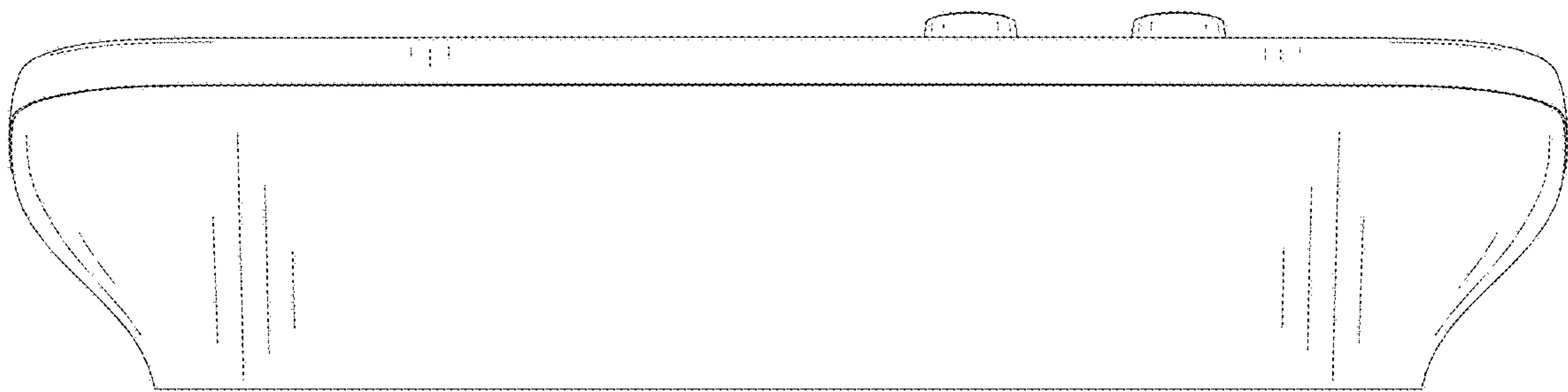


FIG. 8

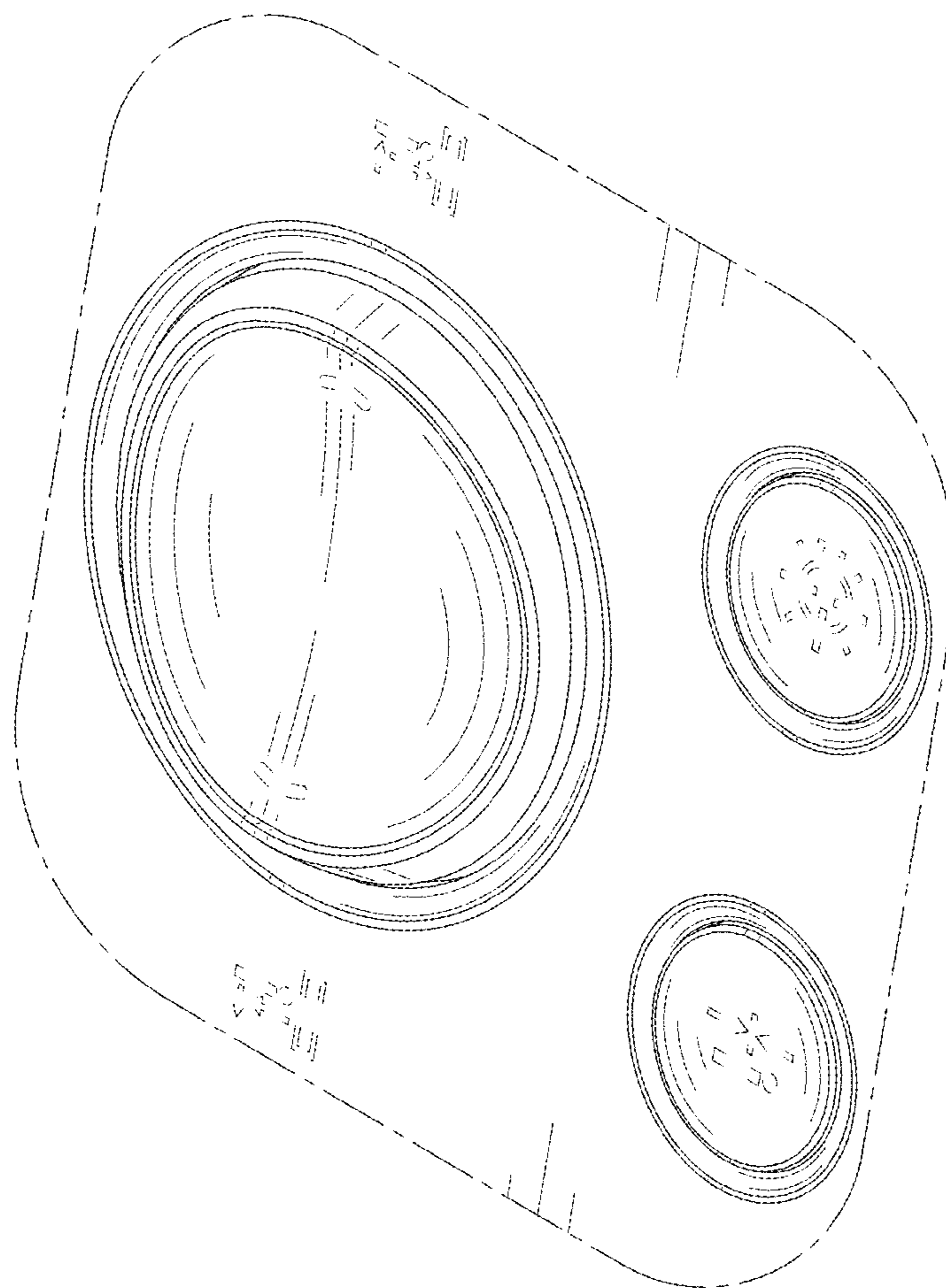


FIG. 9

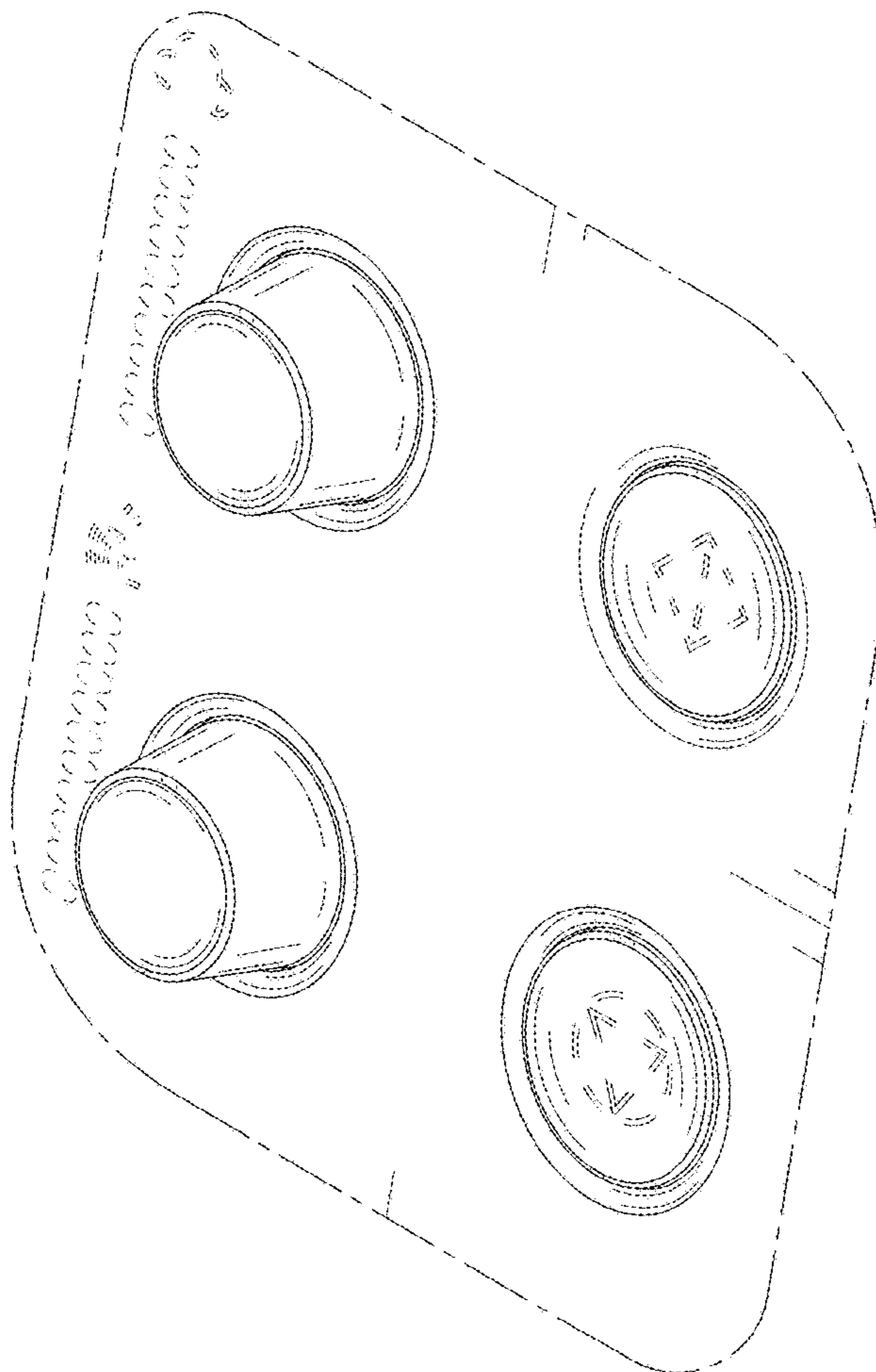


FIG. 10

