



US00D781247S

(12) **United States Design Patent**
Hoffknecht et al.

(10) **Patent No.:** **US D781,247 S**

(45) **Date of Patent:** **** *Mar. 14, 2017**

(54) **SWITCH**

(71) Applicant: **OSRAM SYLVANIA Inc.**, Wilmington, MA (US)

(72) Inventors: **Marc Hoffknecht**, Newmarket (CA);
Simon Treadwell, Toronto (CA);
Sabolch Feigler, Mississauga (CA);
Marian Kosara, Pickering (CA)

(73) Assignee: **OSRAM SYLVANIA Inc.**, Wilmington, MA (US)

(*) Notice: This patent is subject to a terminal disclaimer.

(**) Term: **14 Years**

(21) Appl. No.: **29/492,292**

(22) Filed: **May 30, 2014**

(51) **LOC (10) Cl.** **13-03**

(52) **U.S. Cl.**
USPC **D13/164**

(58) **Field of Classification Search**
USPC D13/162, 164, 171, 174, 177; D8/353
CPC .. H01H 3/12; H01H 9/02; H01H 9/16; H01H 9/18; H01H 9/181; H01H 9/182; H01H 13/04; H01H 13/14; H01H 2009/187; H05B 33/0803; H05B 33/0863; H05B 37/02; H05B 37/0254; H05B 37/0272; H05B 39/02; H05B 39/04; H05B 39/085; H05B 39/086; H05B 39/088

See application file for complete search history.

(56) **References Cited**

U.S. PATENT DOCUMENTS

4,166,934 A 9/1979 Marrero
D297,406 S * 8/1988 Yandek et al. D8/353
5,036,168 A * 7/1991 Kikuchi et al. 200/5 R

D327,657 S 7/1992 Marcou et al.
D331,741 S * 12/1992 Fujiyoshi D13/169
D371,123 S 6/1996 Amundsen

(Continued)

Primary Examiner — Selina Sikder

(74) *Attorney, Agent, or Firm* — Shaun P. Montana

(57) **CLAIM**

The ornamental design for a switch, as shown and described.

DESCRIPTION

FIG. 1 is a perspective view of an embodiment of the ornamental design of a switch.

FIG. 2 is a front view of an embodiment of the ornamental design of the switch.

FIG. 3 is a back view of an embodiment of the ornamental design of the switch.

FIG. 4 is a top view of an embodiment of the ornamental design of the switch.

FIG. 5 is a bottom view of an embodiment of the ornamental design of the switch.

FIG. 6 is a side view of an embodiment of the ornamental design of the switch.

FIG. 7 is a perspective view of an embodiment of the ornamental design of the switch.

FIG. 8 is a front view of an embodiment of the ornamental design of the switch.

FIG. 9 is a back view of an embodiment of the ornamental design of the switch.

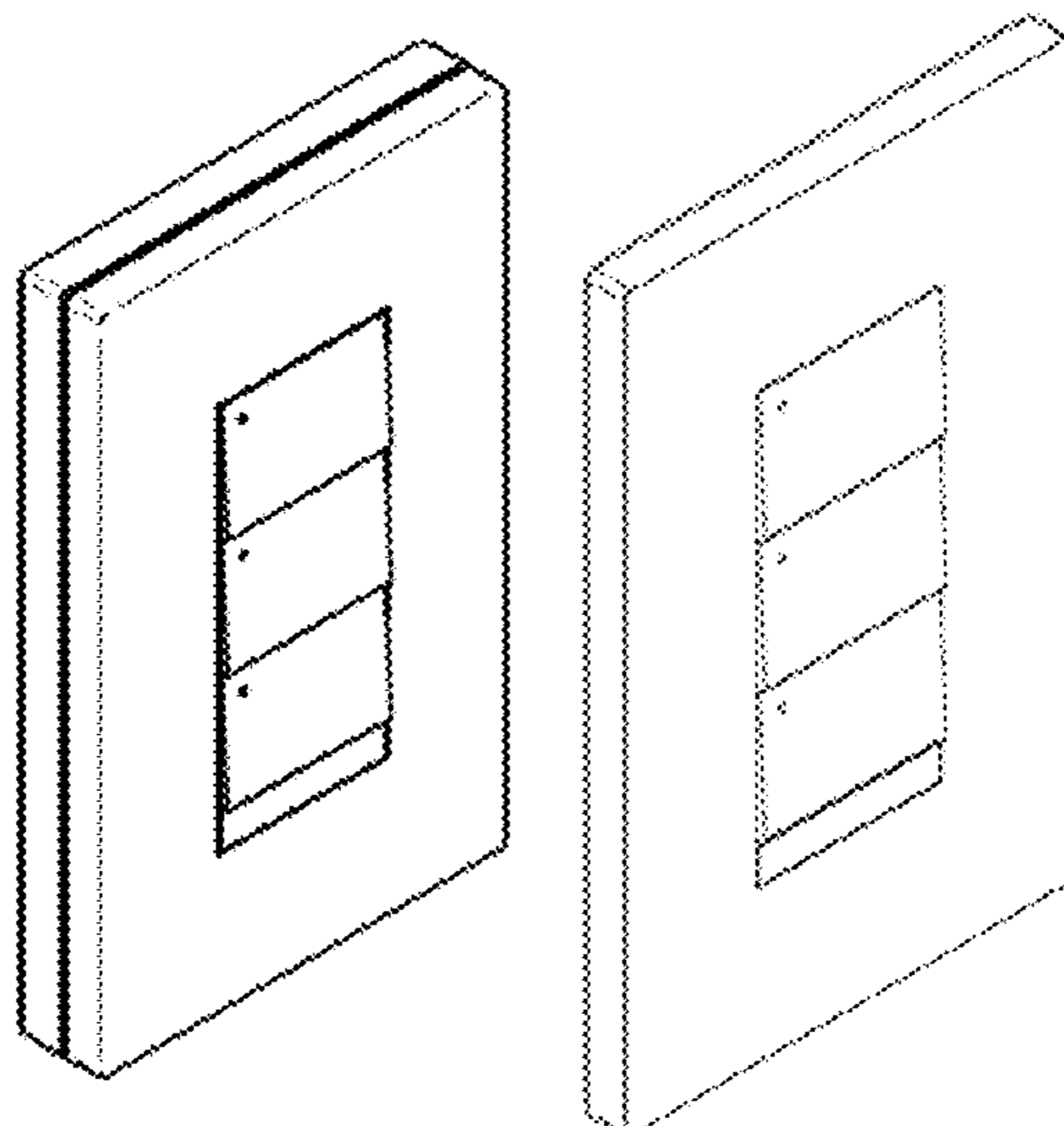
FIG. 10 is a top view of an embodiment of the ornamental design of the switch.

FIG. 11 is a bottom view of an embodiment of the ornamental design of the switch; and,

FIG. 12 is a side view of an embodiment of the ornamental design of the switch.

The broken-line disclosure in the views is understood to represent portions of the article in which the claimed design is embodied, but which form no part of the claimed design.

1 Claim, 10 Drawing Sheets



(56)

References Cited

U.S. PATENT DOCUMENTS

D394,042 S * 5/1998 Hwang D13/171
D422,567 S 4/2000 Mayo et al.
D435,125 S 12/2000 Boessel
D465,460 S * 11/2002 Mayo et al. D13/164
6,930,260 B2 * 8/2005 Clegg et al. 200/5 A
D537,795 S * 3/2007 Chen D13/162
D560,619 S * 1/2008 Hewson et al. D13/162
D564,457 S 3/2008 Billings et al.
D570,790 S 6/2008 Egea Soler
D574,333 S * 8/2008 Hewson et al. D13/162
D581,369 S * 11/2008 Egea Soler D13/162
D586,762 S * 2/2009 Nichols et al. D13/171
D587,214 S * 2/2009 Nichols et al. D13/171
7,538,285 B2 * 5/2009 Patel et al. 200/315
D598,866 S * 8/2009 Rinna D13/162
D633,448 S * 3/2011 Biery et al. D13/171
D636,351 S * 4/2011 Rodriguez et al. D13/164
D638,375 S * 5/2011 Clymer et al. D13/168
8,102,375 B1 * 1/2012 Feldstein 345/170
D653,627 S 2/2012 Hoffknecht et al.
D654,030 S 2/2012 Hoffknecht et al.
D664,101 S 7/2012 Hoffknecht et al.
D680,084 S * 4/2013 McDonald et al. D13/168
D682,795 S * 5/2013 McDonald et al. D13/168
D701,178 S * 3/2014 Wisniewski et al. D13/174
D714,736 S * 10/2014 O'Donnell D13/164
D721,659 S * 1/2015 Rodriguez et al. D13/164
D733,076 S * 6/2015 Jacoby et al. D13/171
2006/0201694 A1 * 9/2006 Lindenstrauss et al. 174/66
2008/0136683 A1 * 6/2008 Swatsky et al. 341/23

* cited by examiner

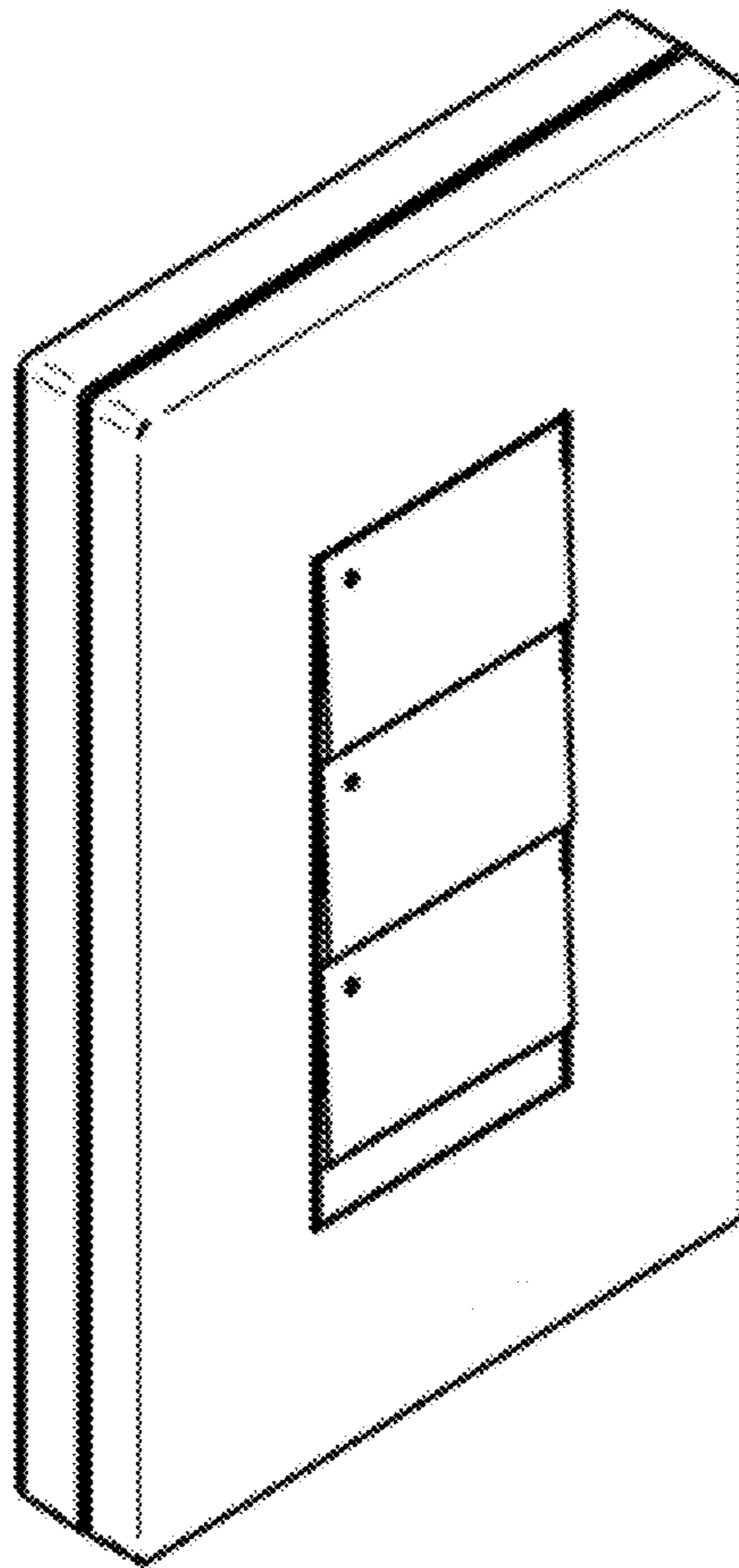


FIG. 1

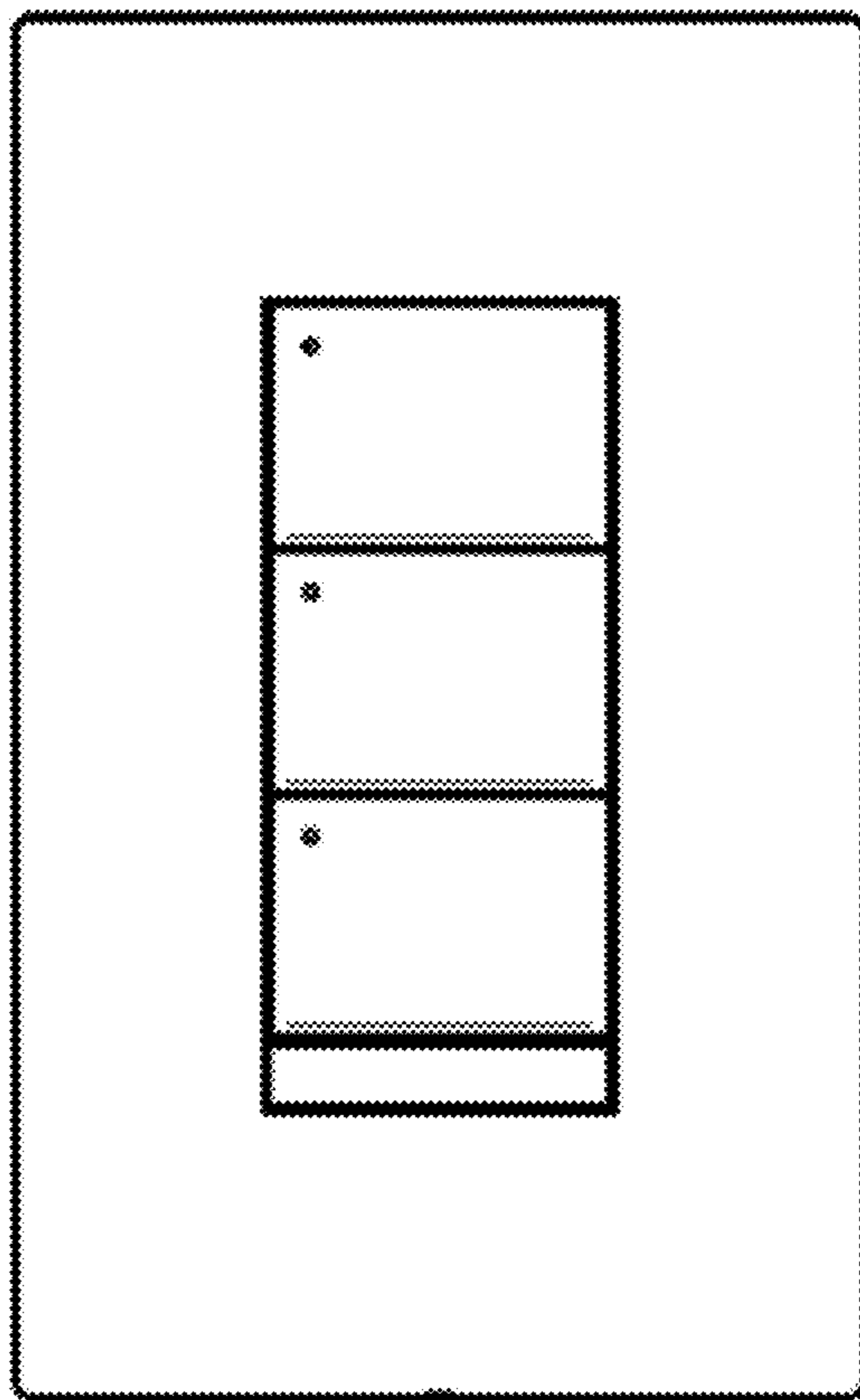


FIG. 2

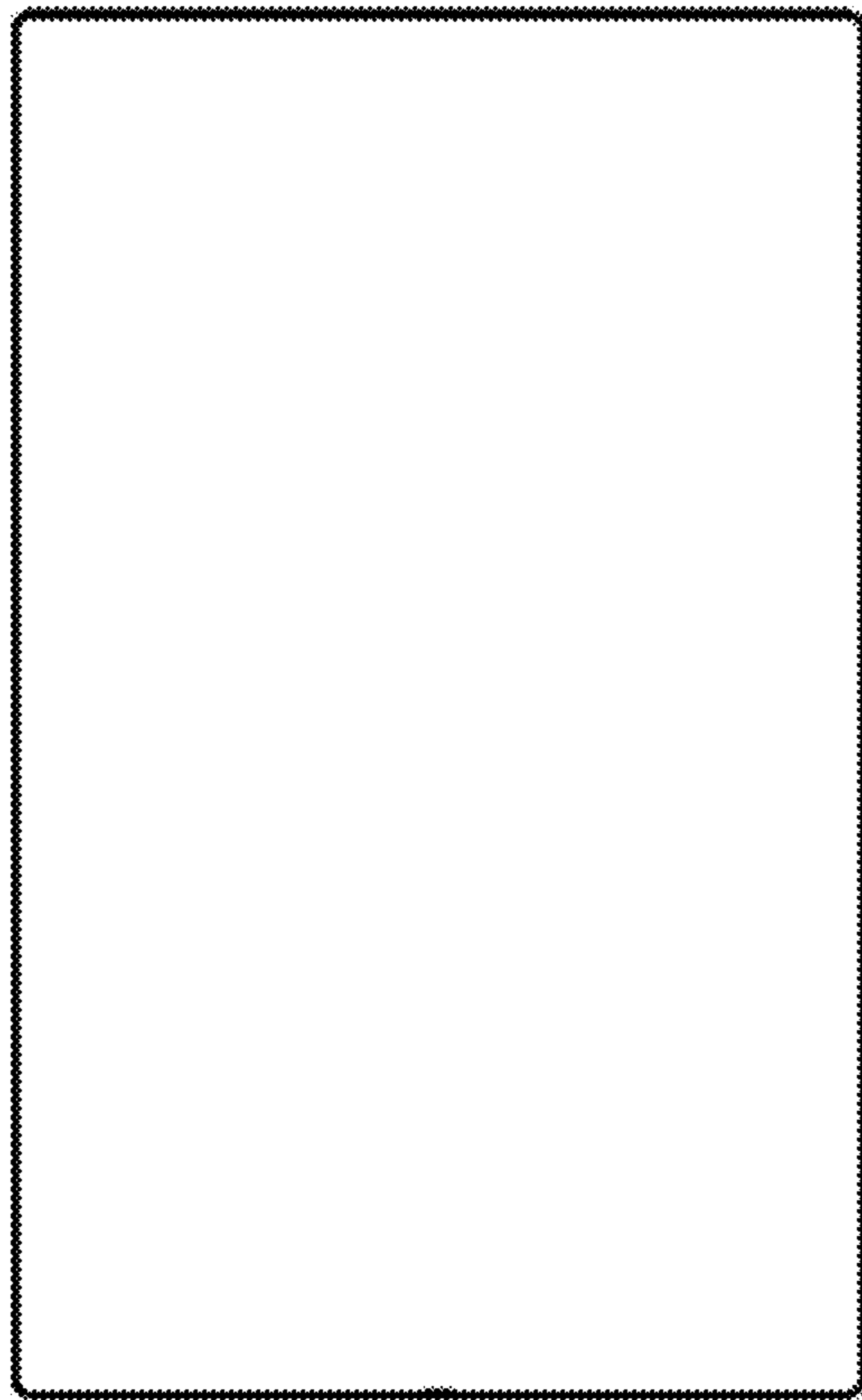


FIG. 3



FIG. 4



FIG. 5

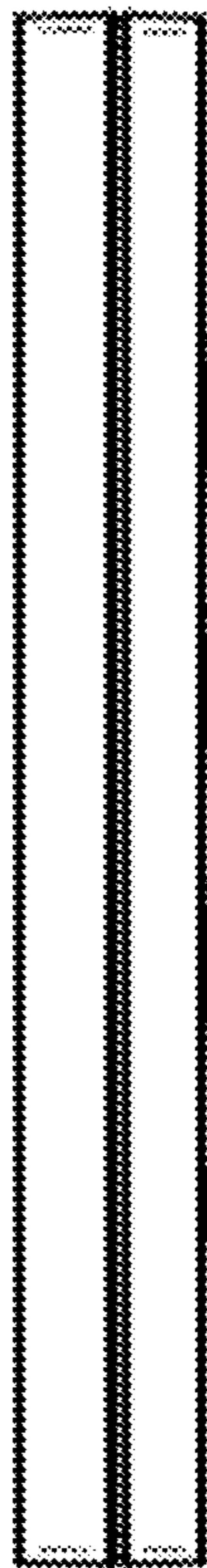


FIG. 6

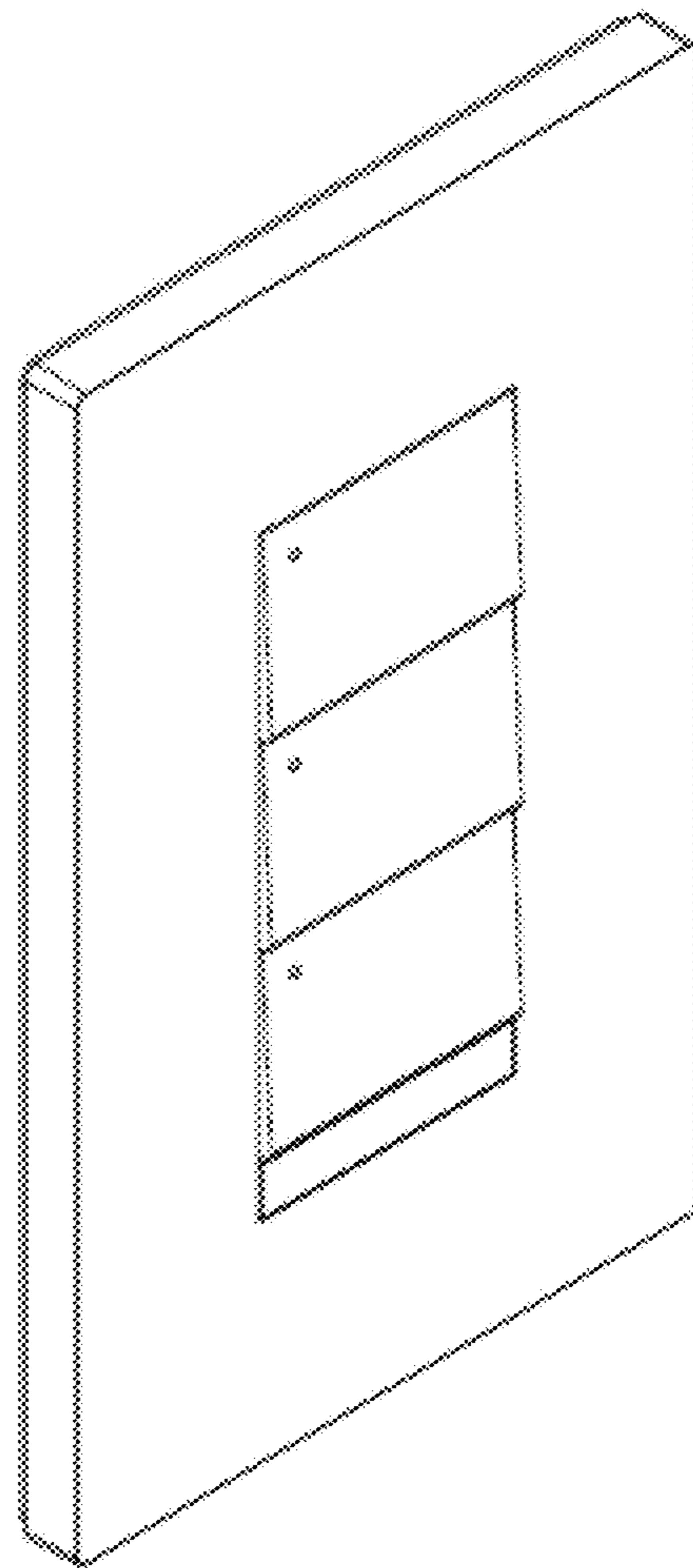


FIG. 7

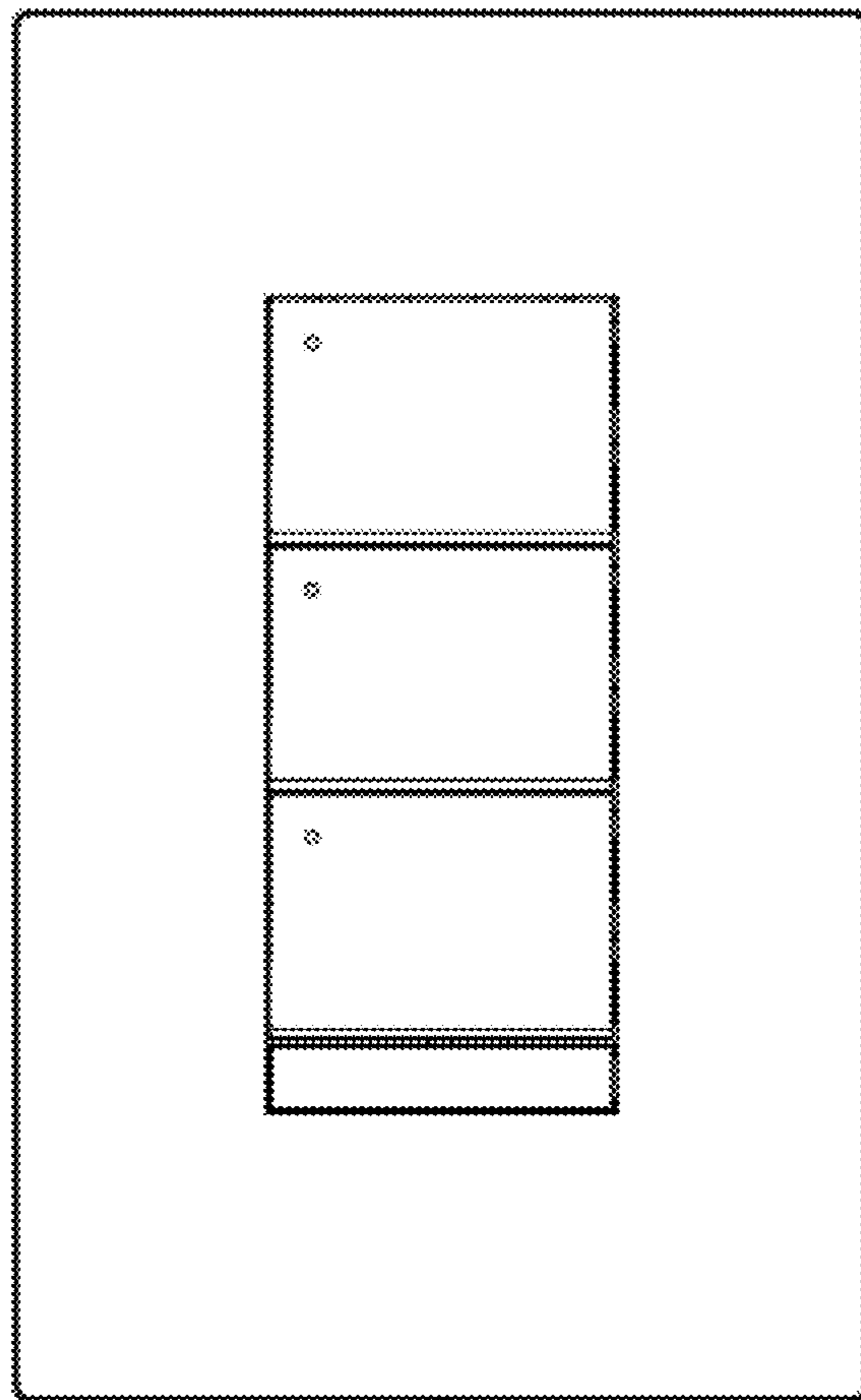


FIG. 8

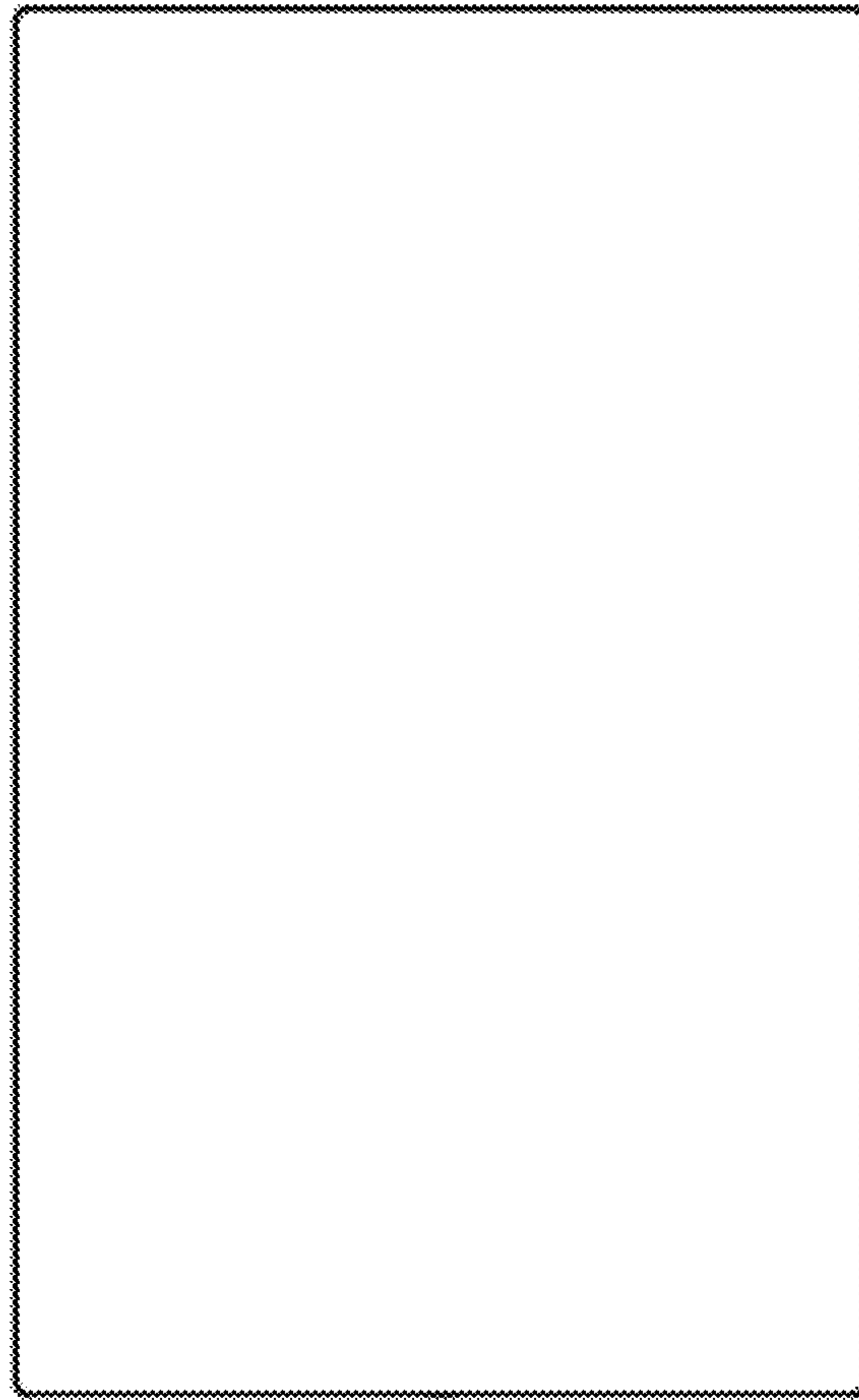


FIG. 9



FIG. 10



FIG. 11



FIG. 12