



US00D781245S

(12) **United States Design Patent** (10) **Patent No.:** **US D781,245 S**
Okawa (45) **Date of Patent:** **** Mar. 14, 2017**

- (54) **DIMMER SWITCH** D633,874 S * 3/2011 Feldstein D13/164
 - (71) Applicant: **Panasonic Intellectual Property** D645,413 S * 9/2011 Lind, III D13/162
Management Co., Ltd., Osaka (JP) D653,627 S * 2/2012 Hoffknecht D13/164
 - (72) Inventor: **Takayuki Okawa, Osaka (JP)** D654,030 S * 2/2012 Hoffknecht D13/164
 - (73) Assignee: **Panasonic Intellectual Property** 8,658,929 B2 * 2/2014 Hoffknecht H03K 17/962
Management Co., Ltd., Osaka (JP) D706,726 S * 6/2014 Mathew D10/106.8
 - (**) Term: **15 Years** D706,727 S * 6/2014 Joshi D10/106.8
 - (21) Appl. No.: **29/549,363** D706,728 S 6/2014 Joshi et al.
 - (22) Filed: **Dec. 22, 2015** D722,572 S 2/2015 Moeller
 - (51) **LOC (10) Cl.** **13-03** D737,222 S * 8/2015 Altonen D13/164
 - (52) **U.S. Cl.** **D13/162** 9,136,839 B2 * 9/2015 Ni H03K 17/941
 - (58) **Field of Classification Search** D744,960 S * 12/2015 Branham D13/162
USPC **D13/162, 164, 171** D755,732 S * 5/2016 Moeller D13/162
CPC H01H 3/02; H01H 3/0213; H01H 3/12; 2007/0289860 A1 * 12/2007 Newman G06F 3/03547
H01H 3/122; H01H 9/02; H01H 9/16; 2009/0058193 A1 * 3/2009 Reid H05B 37/0227
H01H 9/161; H01H 9/18; H05B 33/0803; 307/116
H05B 33/0863; H05B 37/0227; H05B 37/0272; H05B 39/02; H05B 39/085; H05B 39/086; H05B 39/088
- See application file for complete search history.

- (56) **References Cited**
- U.S. PATENT DOCUMENTS
- 4,166,934 A * 9/1979 Marrero H01H 9/02
174/55
- 6,120,262 A * 9/2000 McDonough H05B 37/0272
318/16
- D435,473 S * 12/2000 Eckel D10/106.8
- D539,758 S * 4/2007 Blair D13/162
- 7,312,695 B2 * 12/2007 Lehmer G09F 9/302
307/115
- D588,035 S 3/2009 Schmalz et al.
- D595,604 S 7/2009 Schmalz et al.

(Continued)

Primary Examiner — Selina Sikder
(74) *Attorney, Agent, or Firm* — Panasonic IP Management; Kerry S. Culpepper

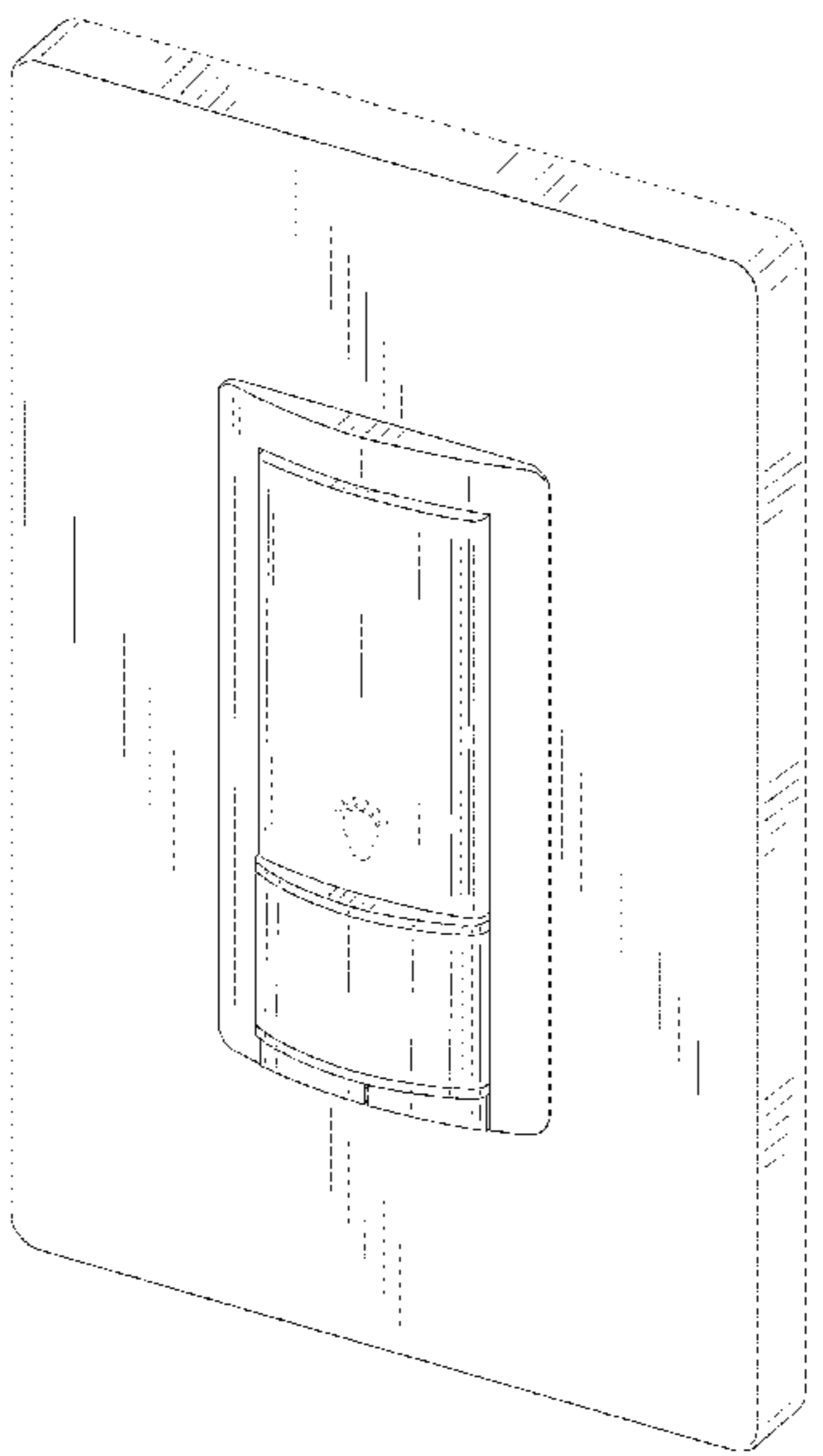
(57) **CLAIM**

I claim the ornamental design for a dimmer switch, as shown and described.

DESCRIPTION

FIG. 1 is a front perspective view of a dimmer switch of the present invention;
FIG. 2 is a front view thereof;
FIG. 3 is a rear view thereof;
FIG. 4 is a top view thereof;
FIG. 5 is a bottom view thereof;
FIG. 6 is a left side view thereof; and,
FIG. 7 is a right side view thereof.
The broken line showing of dimmer switch is included for the purpose of illustrating environment and forms no part of the claimed design.

1 Claim, 7 Drawing Sheets



(56)

References Cited

U.S. PATENT DOCUMENTS

2011/0253516 A1* 10/2011 Figueroa H01H 9/161
200/297

* cited by examiner

FIG. 1

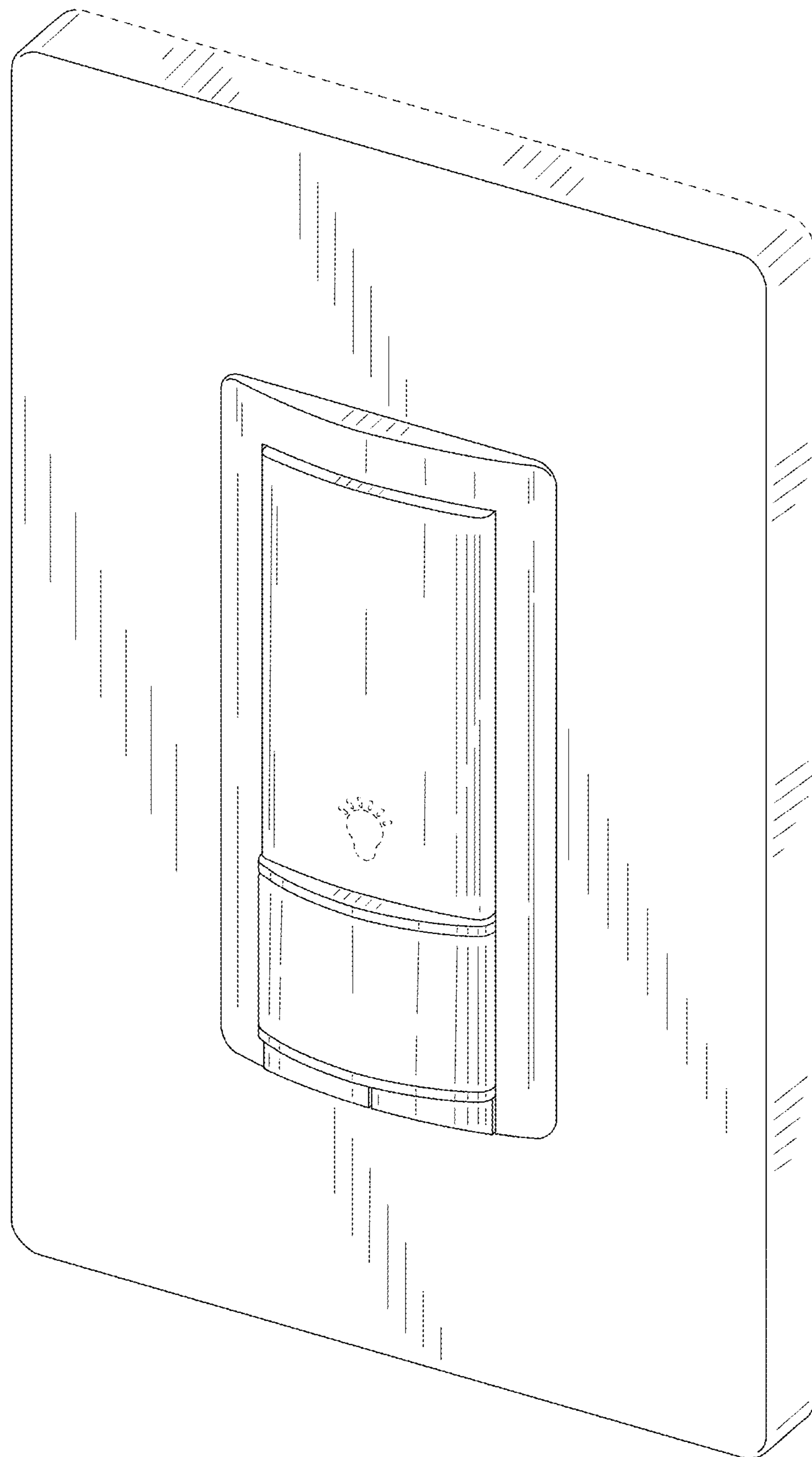


FIG. 2

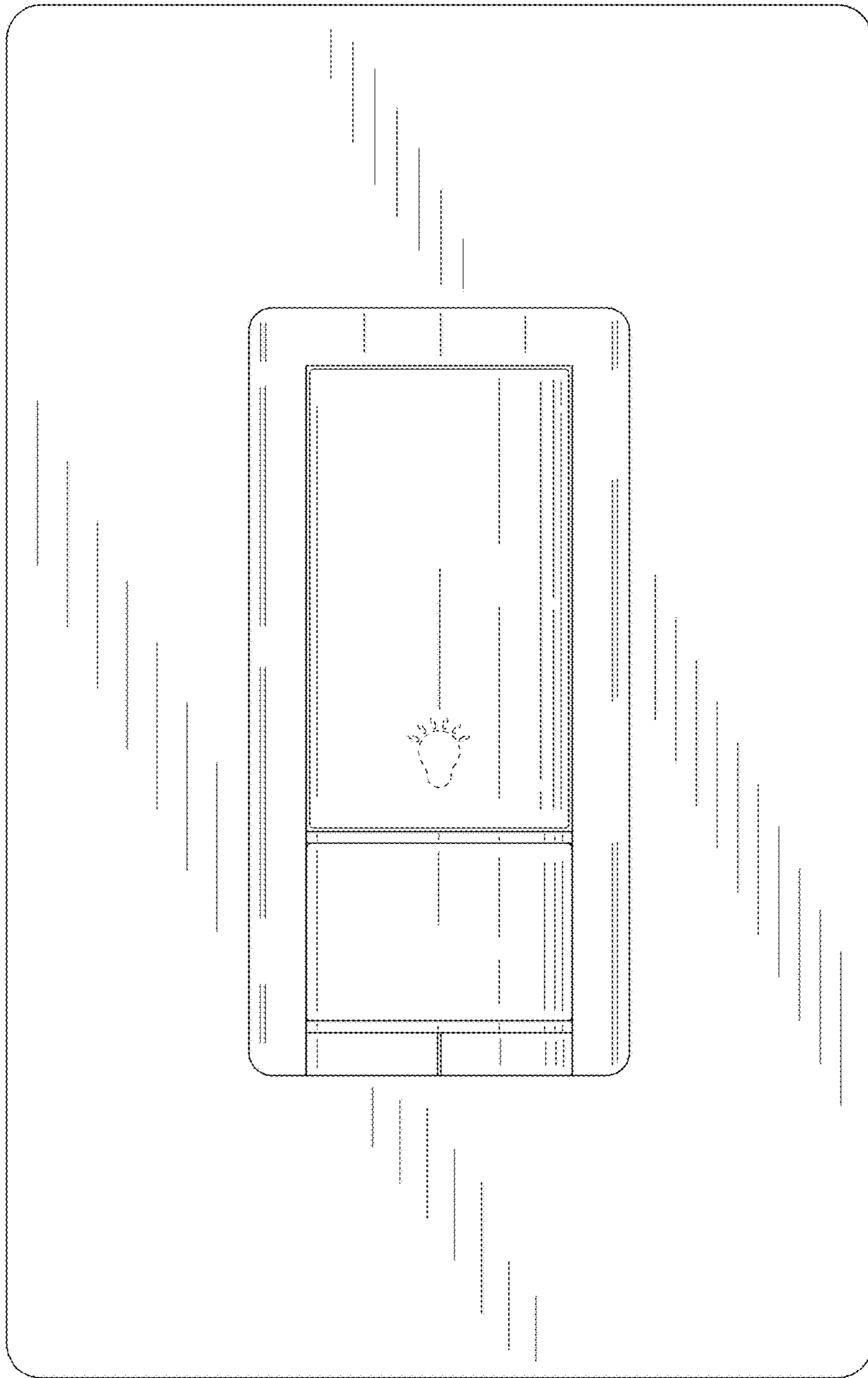


FIG. 3

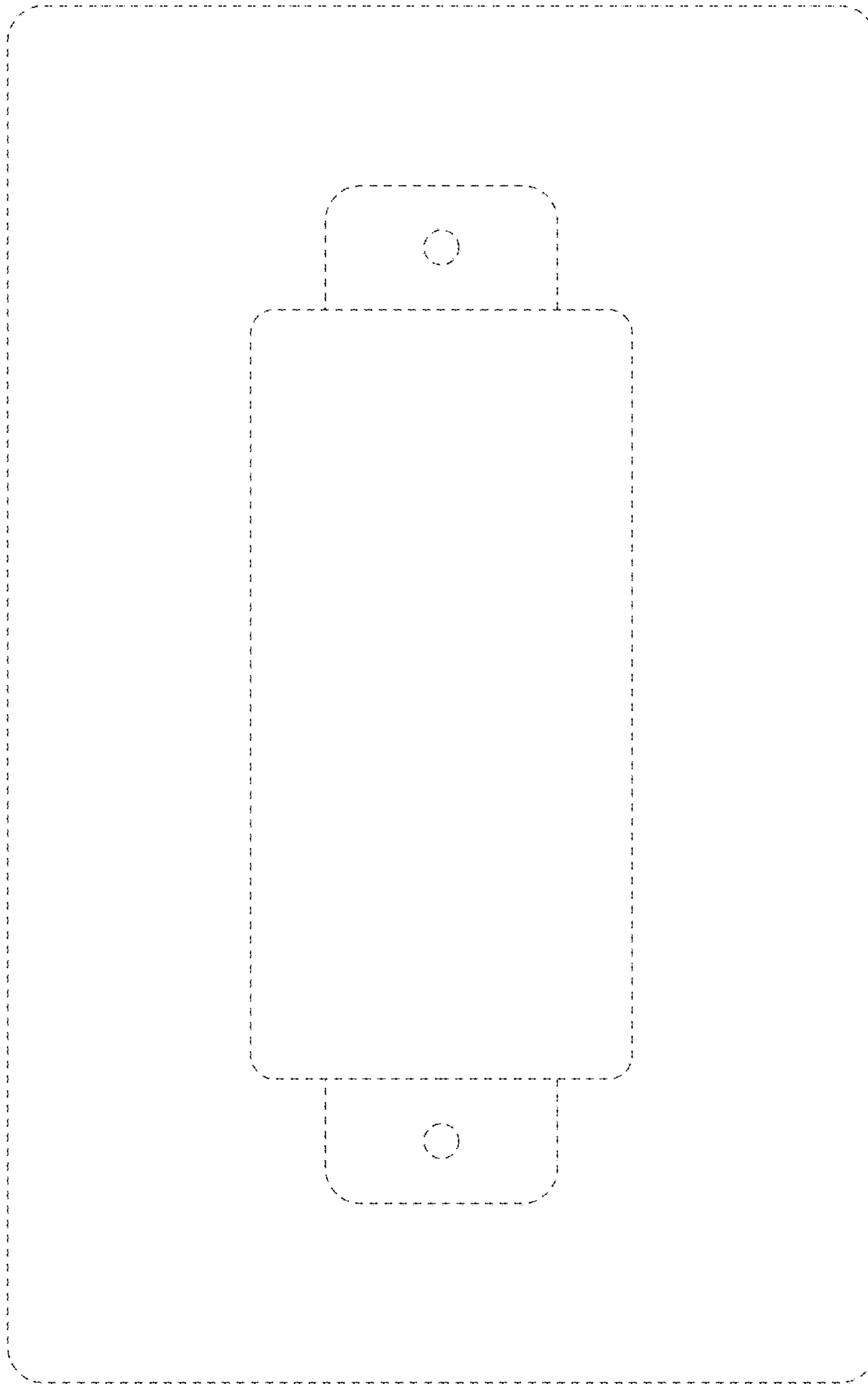


FIG. 4

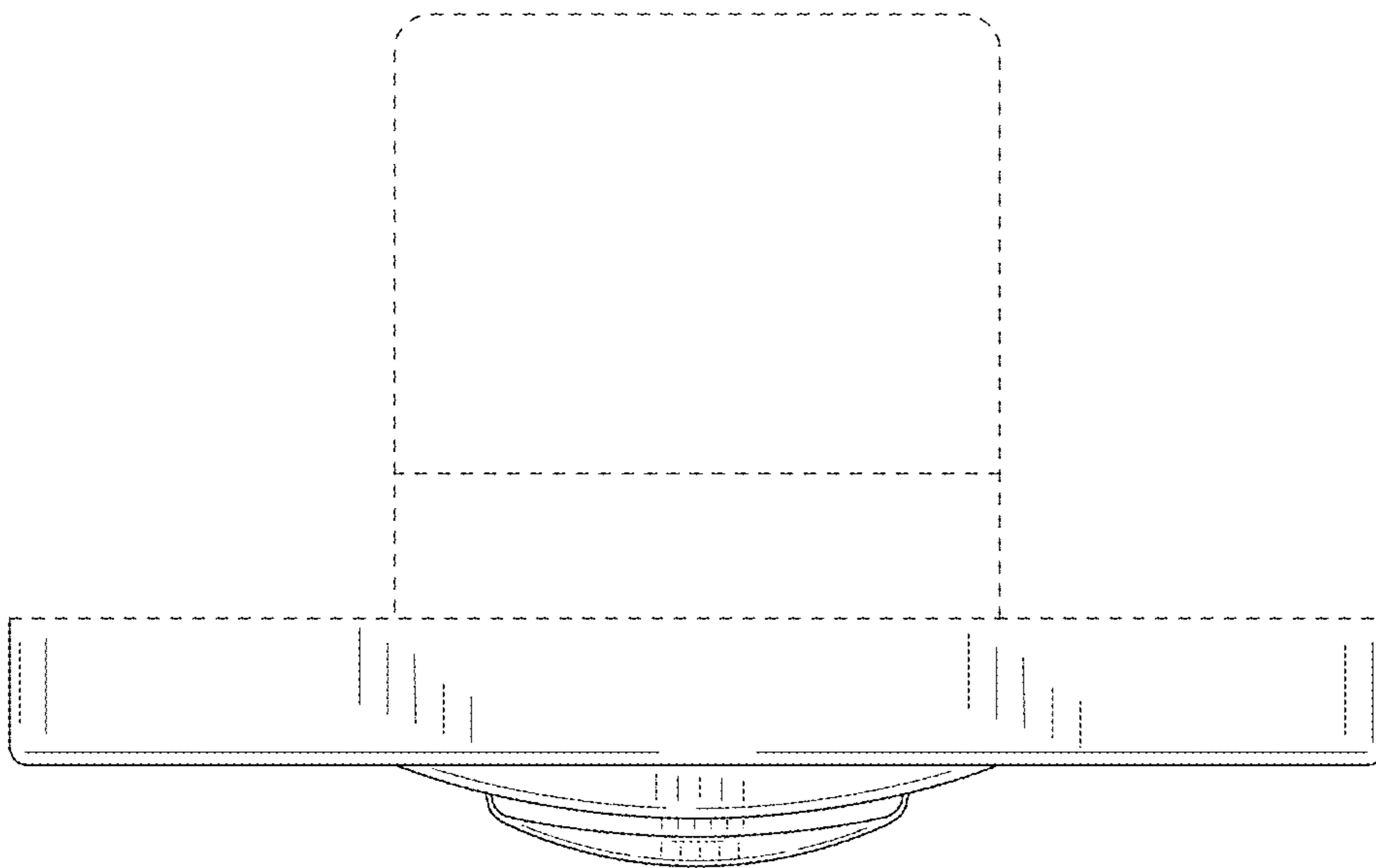


FIG. 5

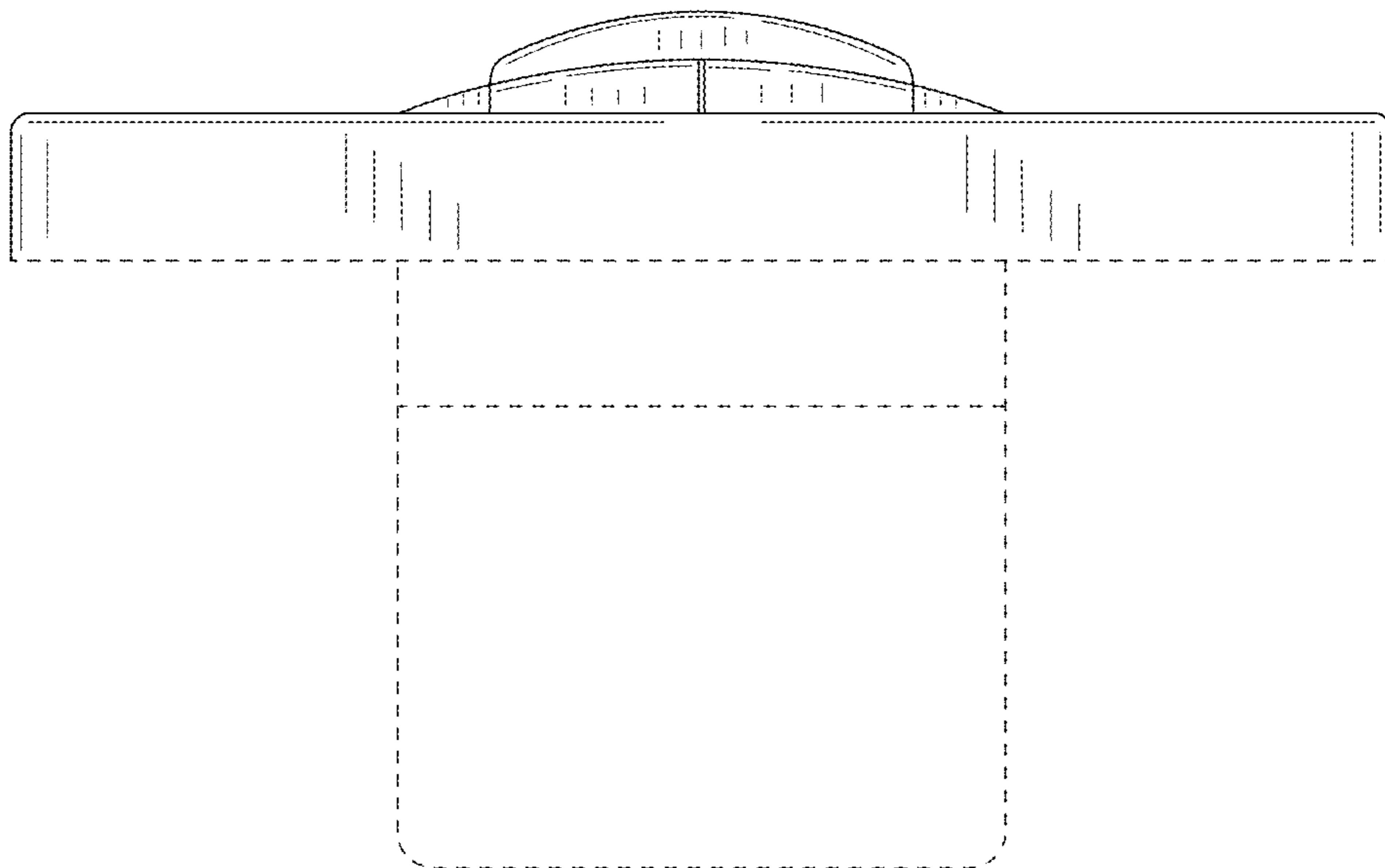


FIG. 6

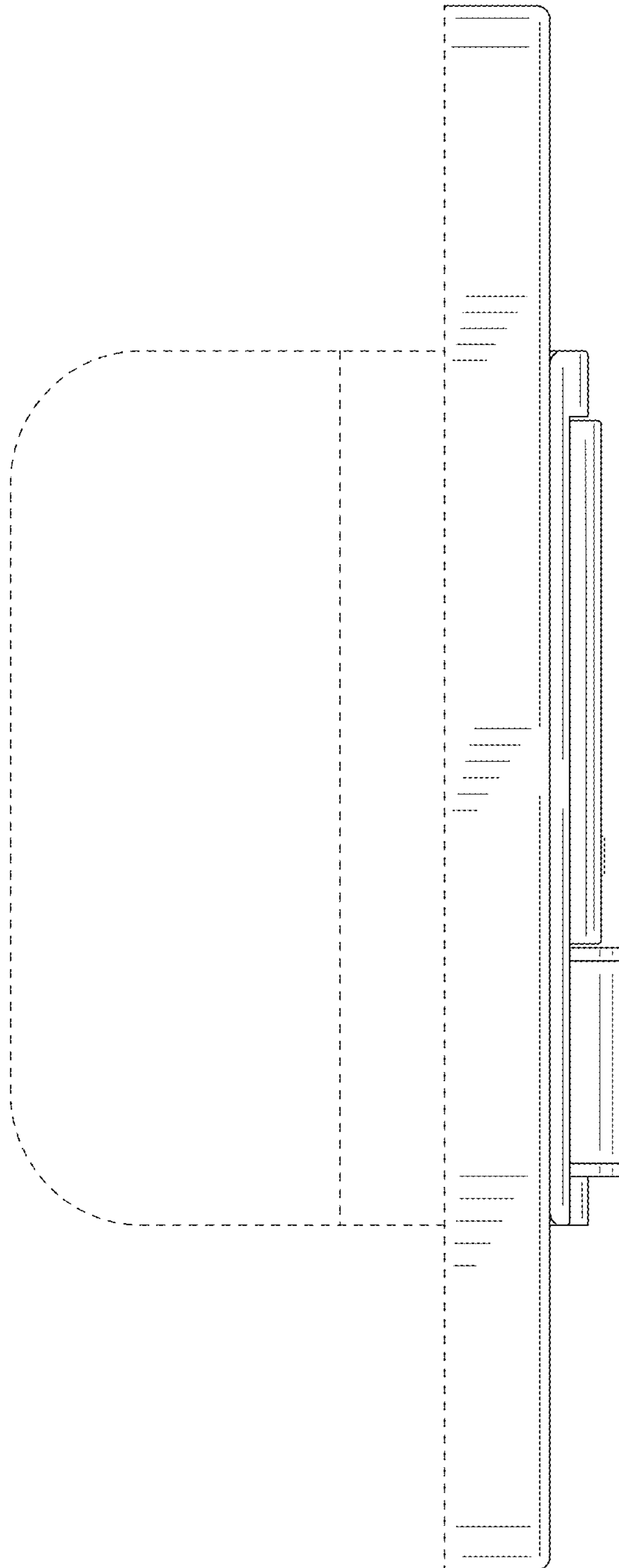


FIG. 7

