



US00D781244S

(12) **United States Design Patent**
Sisley et al.

(10) **Patent No.:** **US D781,244 S**

(45) **Date of Patent:** **** Mar. 14, 2017**

(54) **FRONT PANEL OF A CIRCUIT BREAKER**

(71) Applicant: **Eaton Corporation**, Cleveland, OH (US)

(72) Inventors: **James Patrick Sisley**, Baden, PA (US); **James Leo Lagree**, Robinson Township, PA (US); **Chad Elliott Murff**, Coraopolis, PA (US); **Richard Paul Malingowski**, McDonald, PA (US); **Kelly Julia McCarthy**, Pittsburgh, PA (US)

(73) Assignee: **Eaton Corporation**, Cleveland, OH (US)

(**) Term: **14 Years**

(21) Appl. No.: **29/517,913**

(22) Filed: **Feb. 18, 2015**

(51) **LOC (10) Cl.** **13-03**

(52) **U.S. Cl.**
USPC **D13/160**

(58) **Field of Classification Search**
USPC D13/118, 123, 154, 158-161, 173, 184, D13/199

(Continued)

(56) **References Cited**

U.S. PATENT DOCUMENTS

3,148,356 A 9/1964 Hedden, Jr.
4,503,408 A 3/1985 Mrenna et al.

(Continued)

Primary Examiner — Thomas Johannes
Assistant Examiner — Shawn T Gingrich

(74) *Attorney, Agent, or Firm* — Myers Bigel, P.A.

(57) **CLAIM**

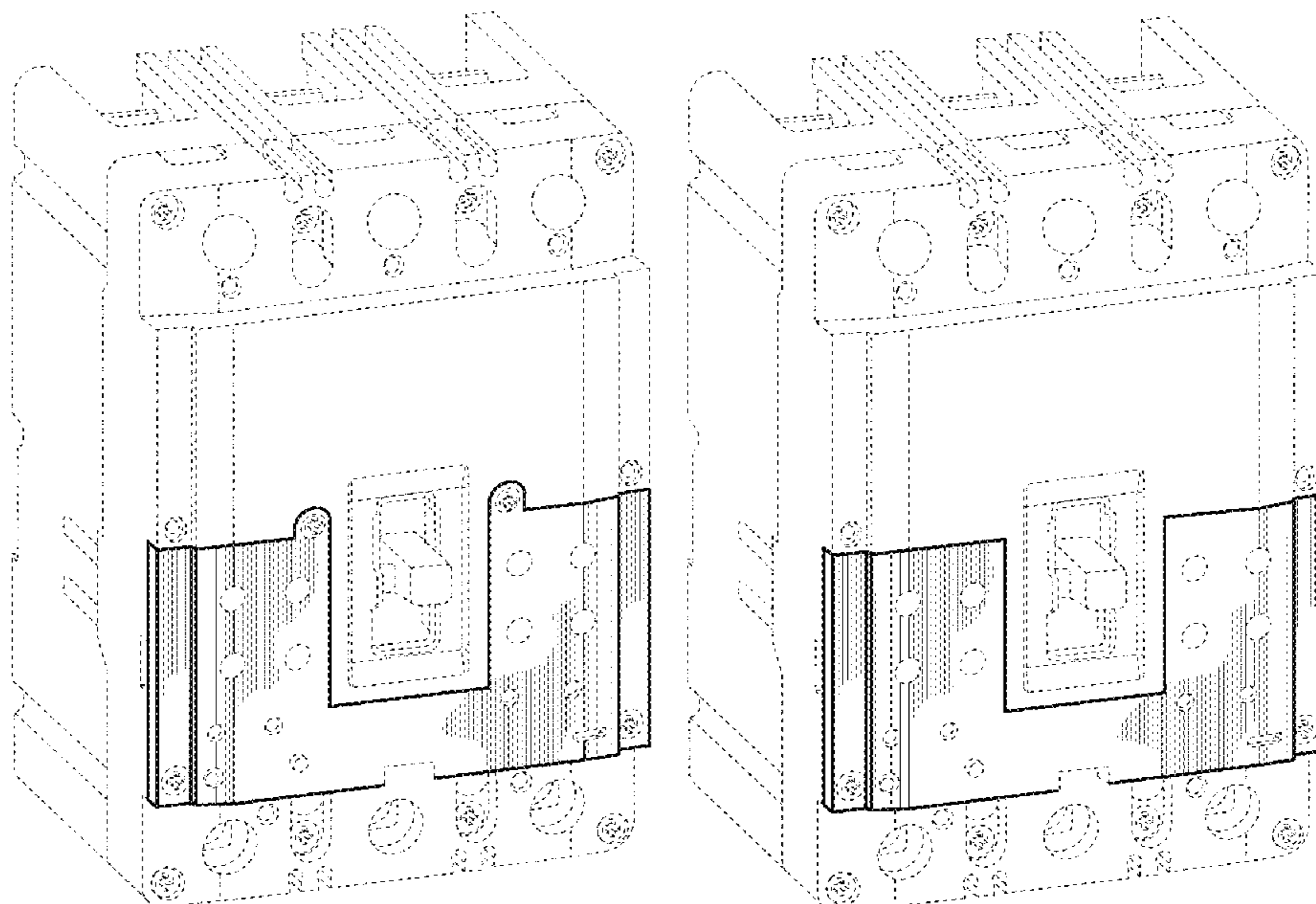
The ornamental design for a front panel of a circuit breaker, as shown and described.

DESCRIPTION

FIG. 1 is a front, side perspective view of a first embodiment of a front panel of a circuit breaker showing our design; FIG. 2 is a front, side perspective, exploded view of the front panel of a circuit breaker shown in FIG. 1; FIG. 3 is a front view of the front panel of a circuit breaker shown in FIG. 1; FIG. 4 is a bottom view of the front panel shown in FIG. 1; FIG. 5 is a top view of the front panel shown in FIG. 1; FIG. 6 is a back view of the front panel shown in FIG. 1; FIG. 7 is a side view of the front panel shown in FIG. 1; FIG. 8 is an opposing side view of the front panel shown in FIG. 7; FIG. 9 is an enlarged rear perspective view of the front panel shown in FIG. 1; FIG. 10 is a front, side perspective view of a second embodiment of a front panel of a circuit breaker showing our design; FIG. 11 is a front, side perspective, exploded view of the front panel of a circuit breaker shown in FIG. 10; FIG. 12 is a front view of the front panel of a circuit breaker shown in FIG. 10; FIG. 13 is a bottom view of the front panel shown in FIG. 10; FIG. 14 is a top view of the front panel shown in FIG. 10; FIG. 15 is a back view of the front panel shown in FIG. 10; FIG. 16 is a side view of the front panel shown in FIG. 10; FIG. 17 is an opposing side view of the front panel shown in FIG. 16; and, FIG. 18 is an enlarged rear perspective view of the front panel shown in FIG. 10.

The broken lines shown herein are for illustrative purposes only and form no part of the claimed design. The dot-dash broken lines in FIGS. 2 and 11 are included to show alignment only and forms no part of the claimed design.

1 Claim, 10 Drawing Sheets



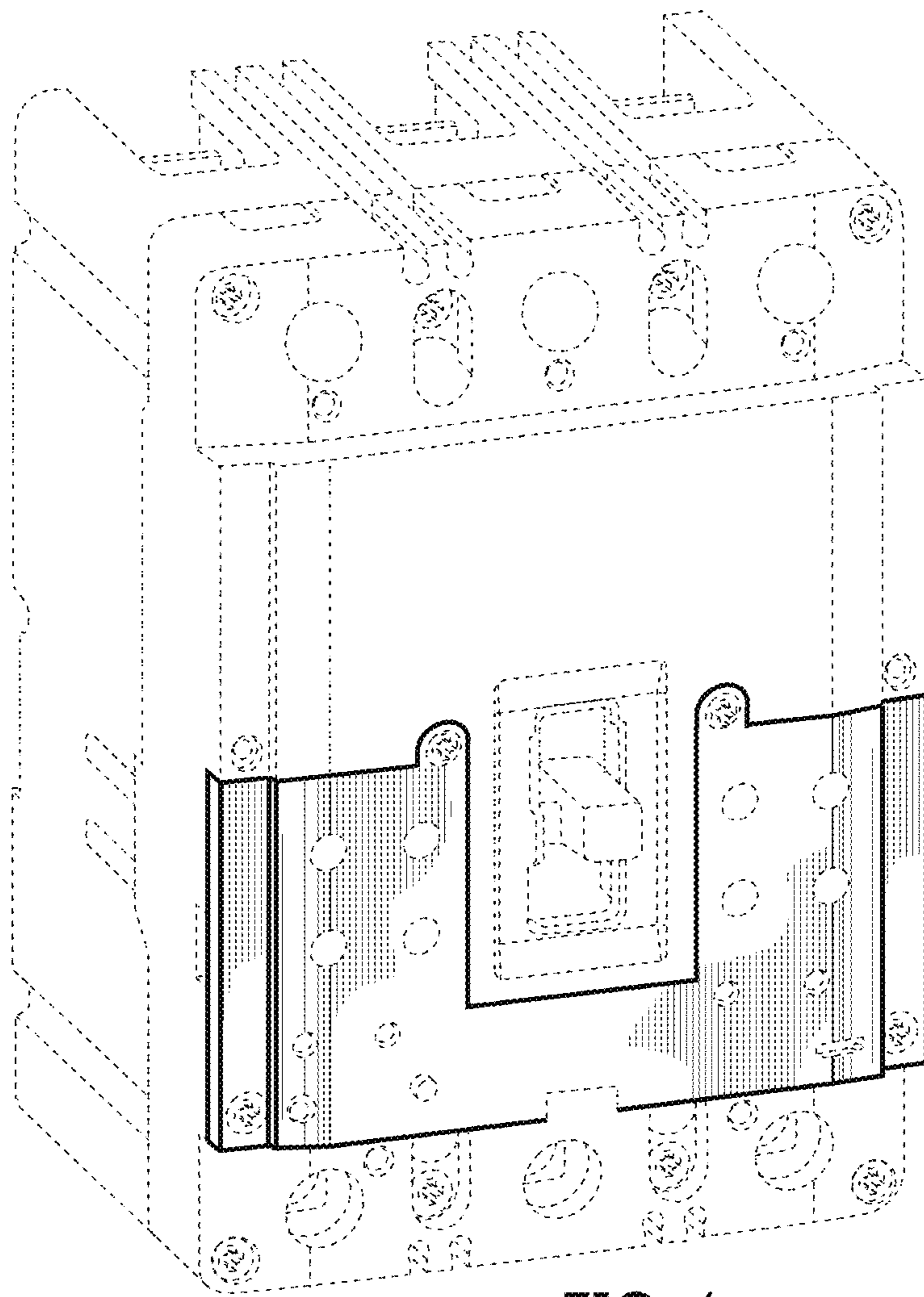


FIG. 1

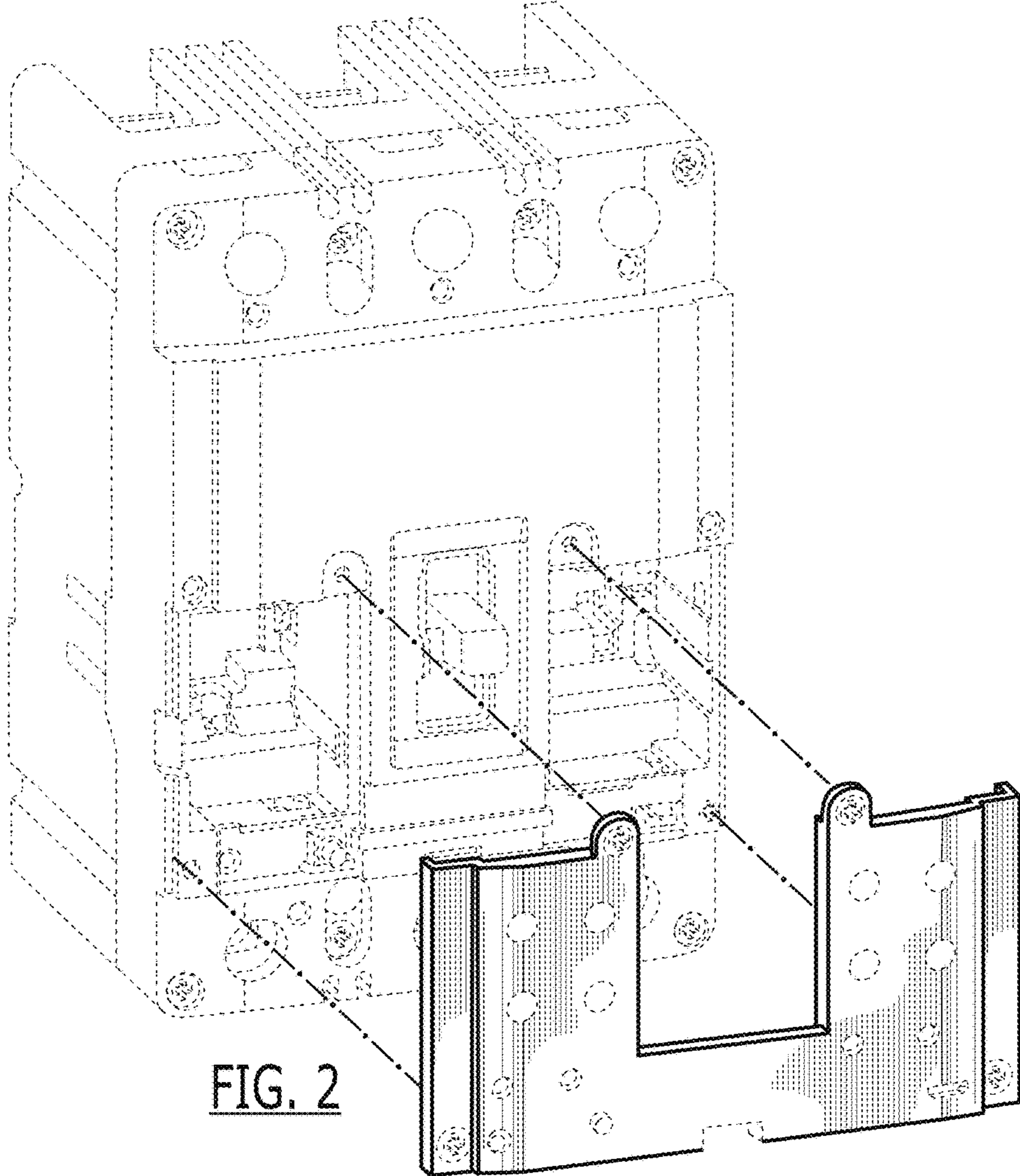


FIG. 2

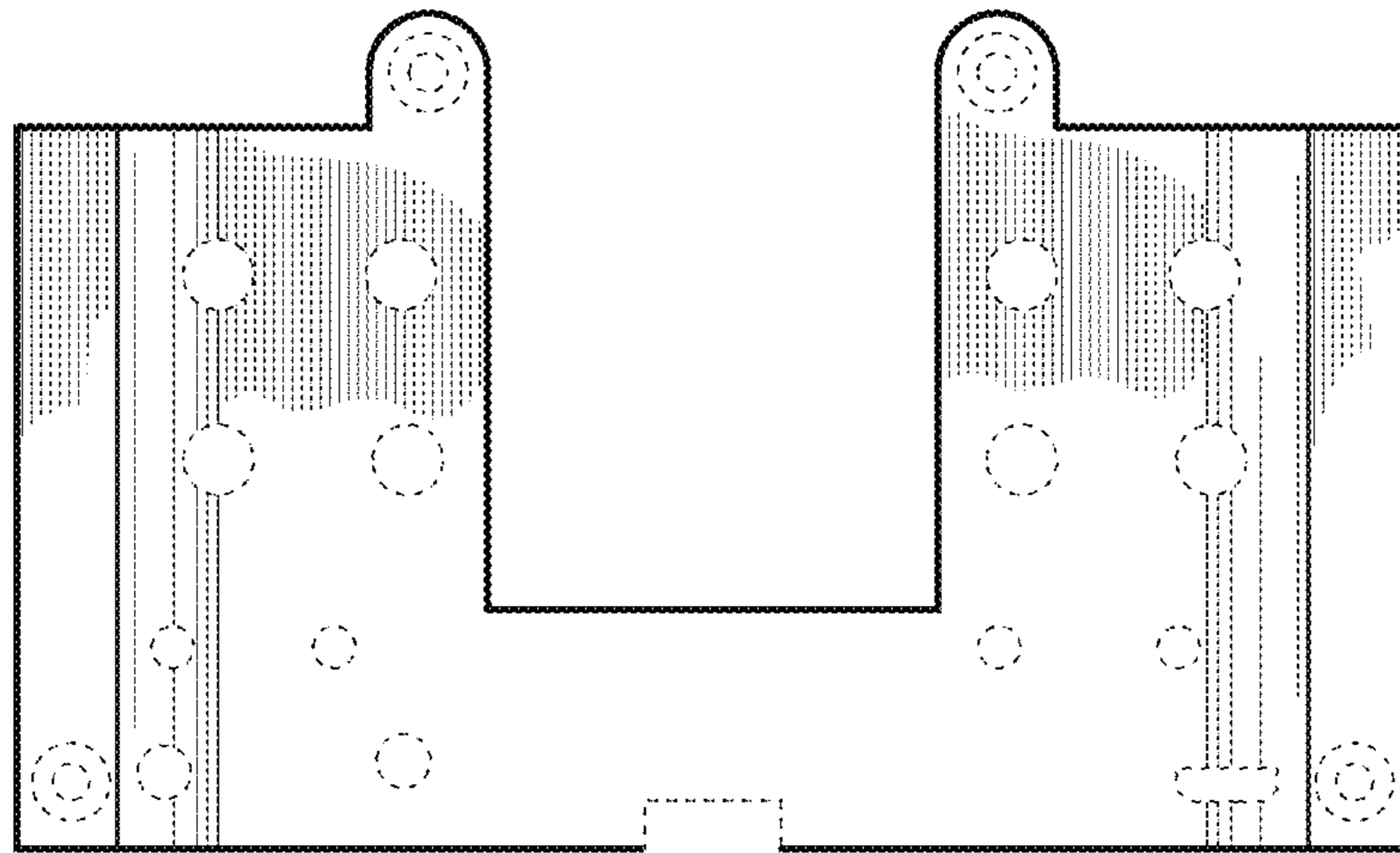


FIG. 3

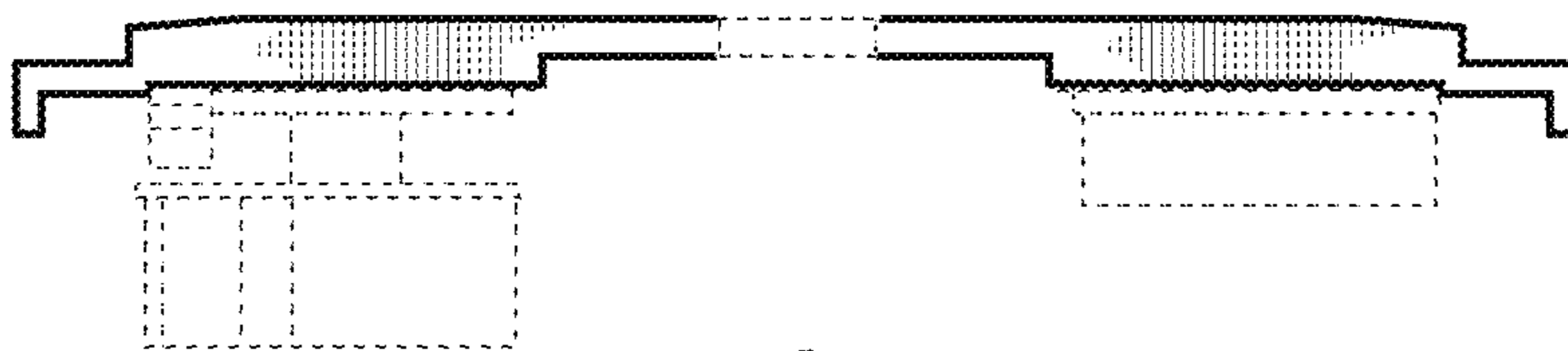


FIG. 4

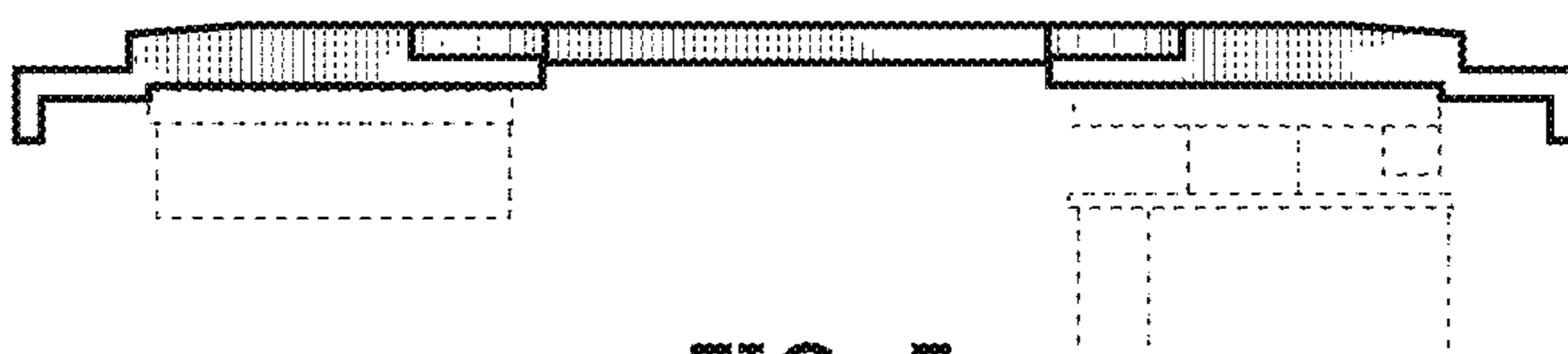


FIG. 5

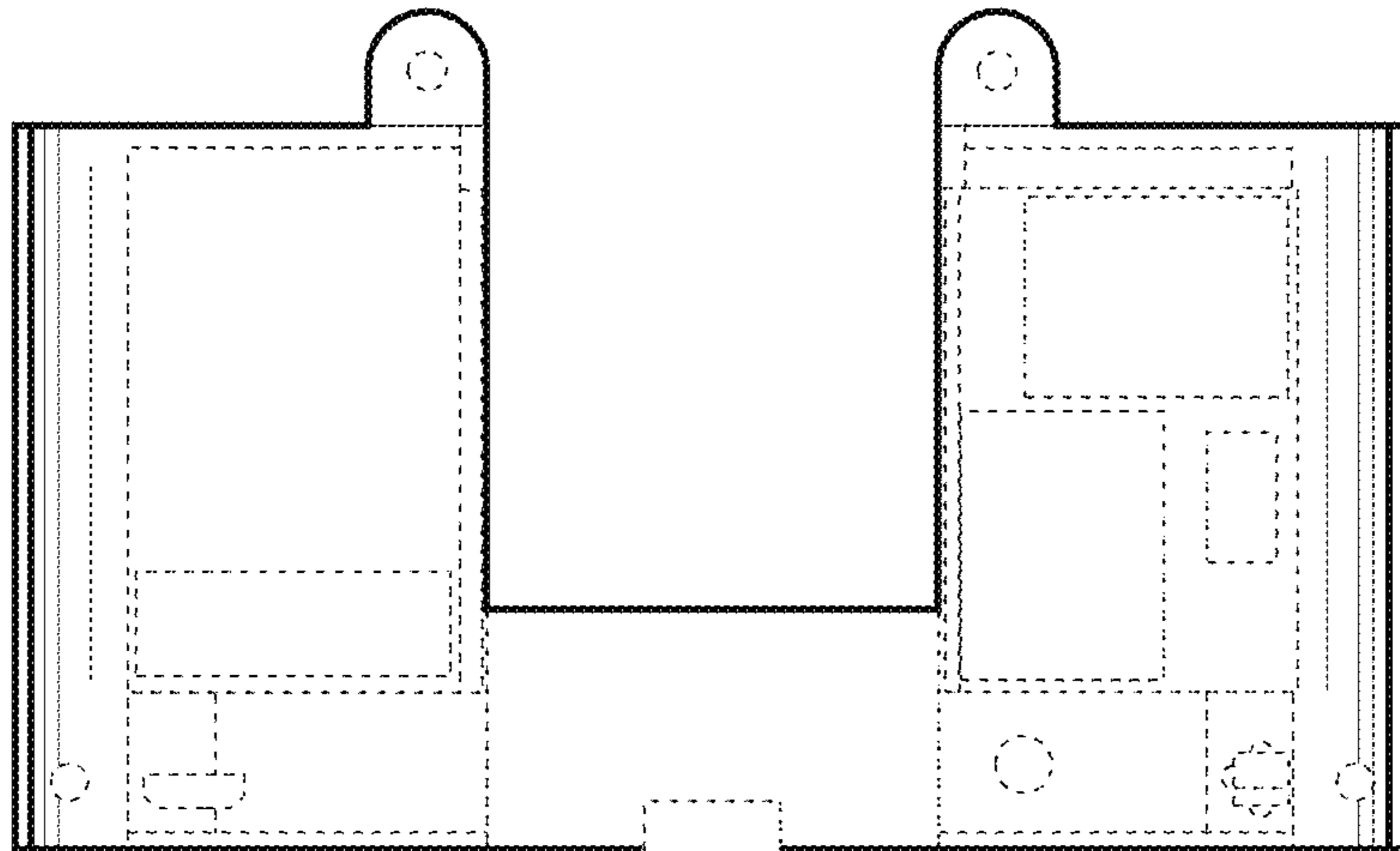


FIG. 6

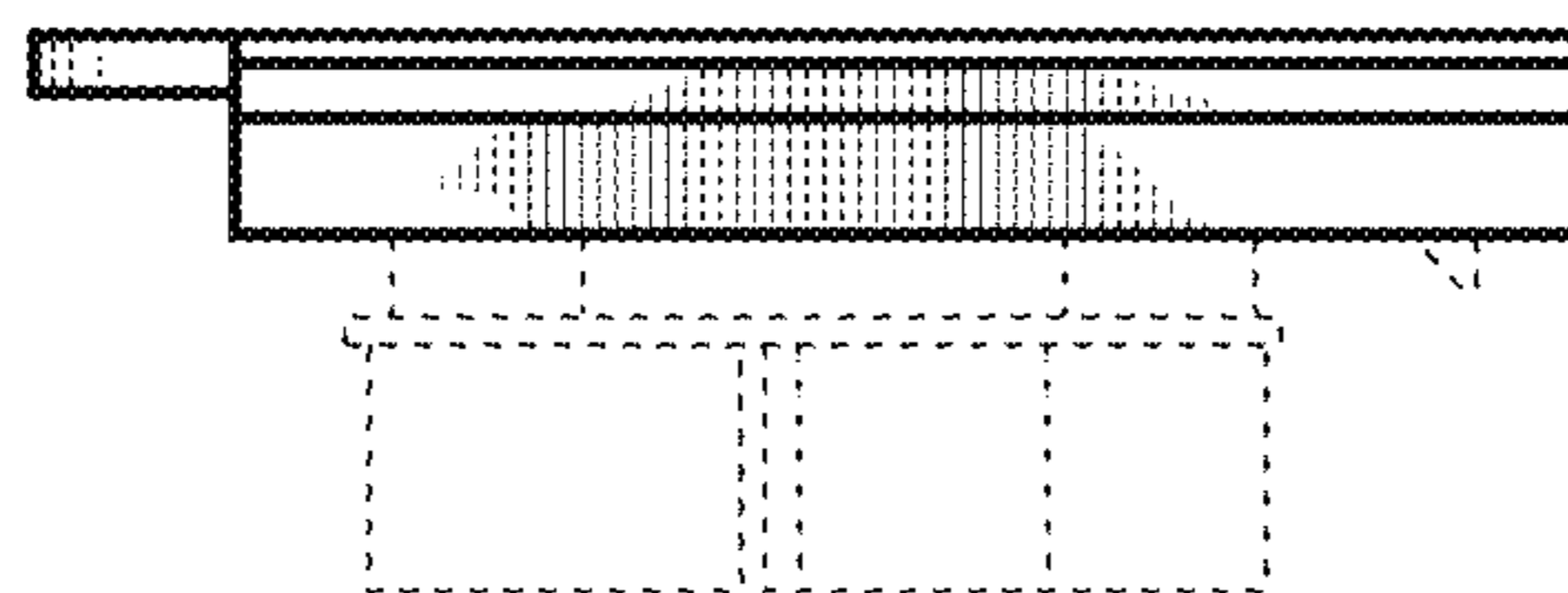


FIG. 7

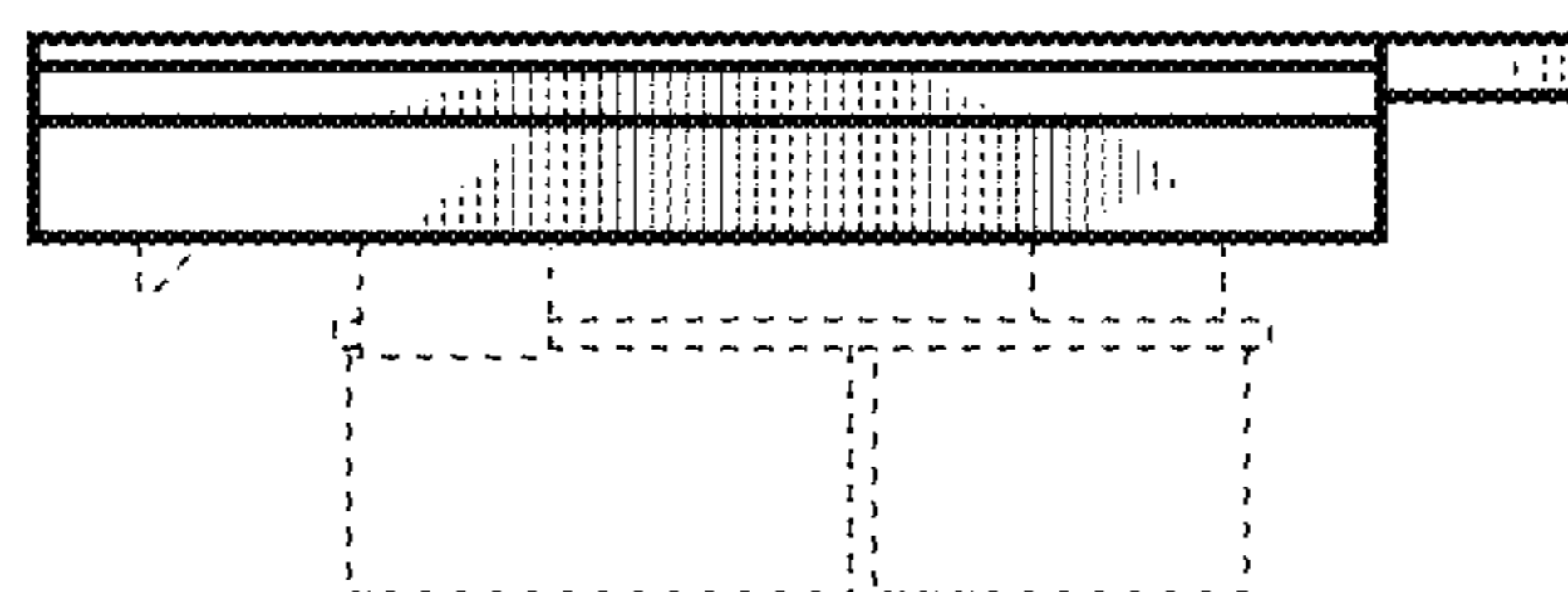


FIG. 8

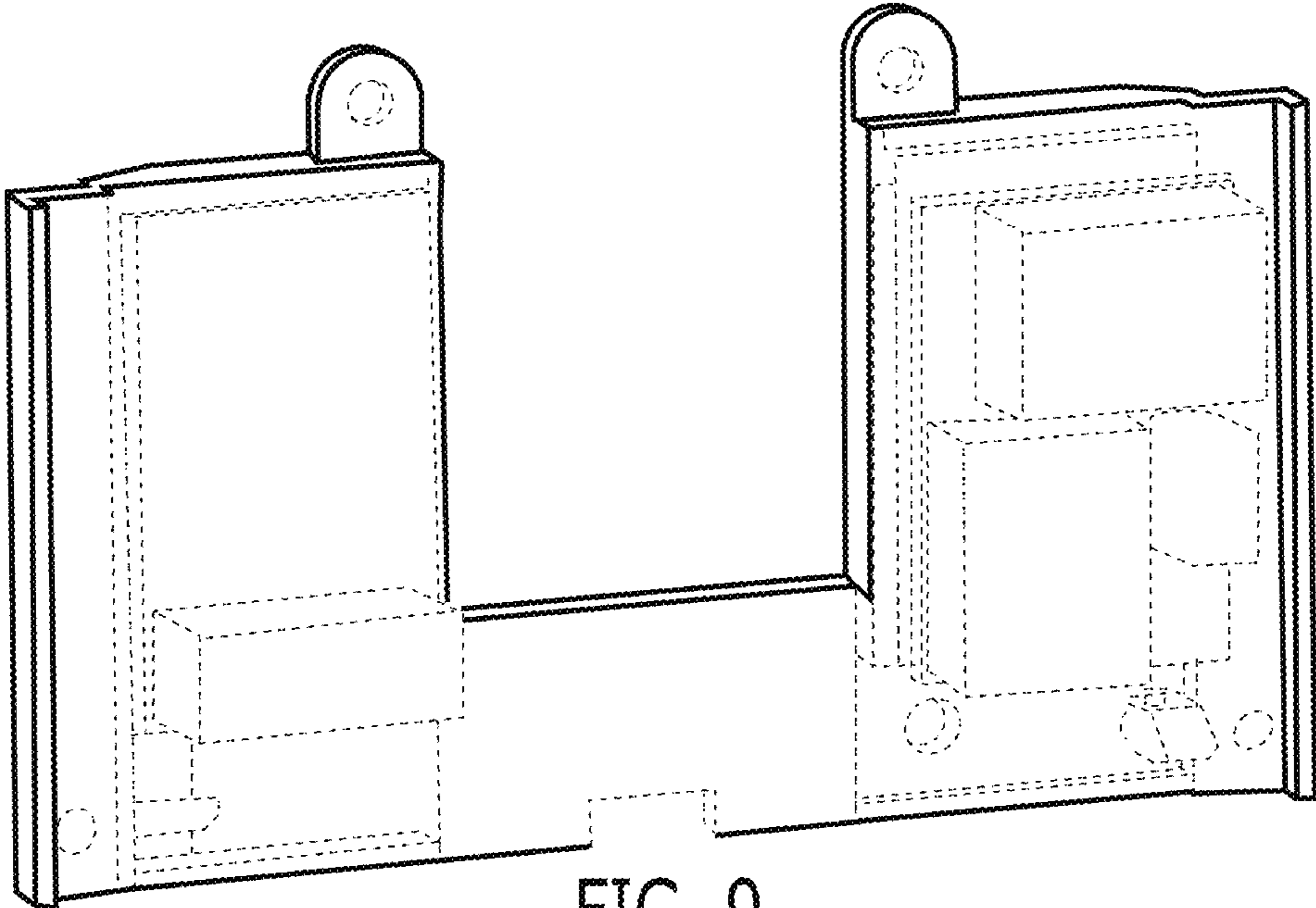


FIG. 9

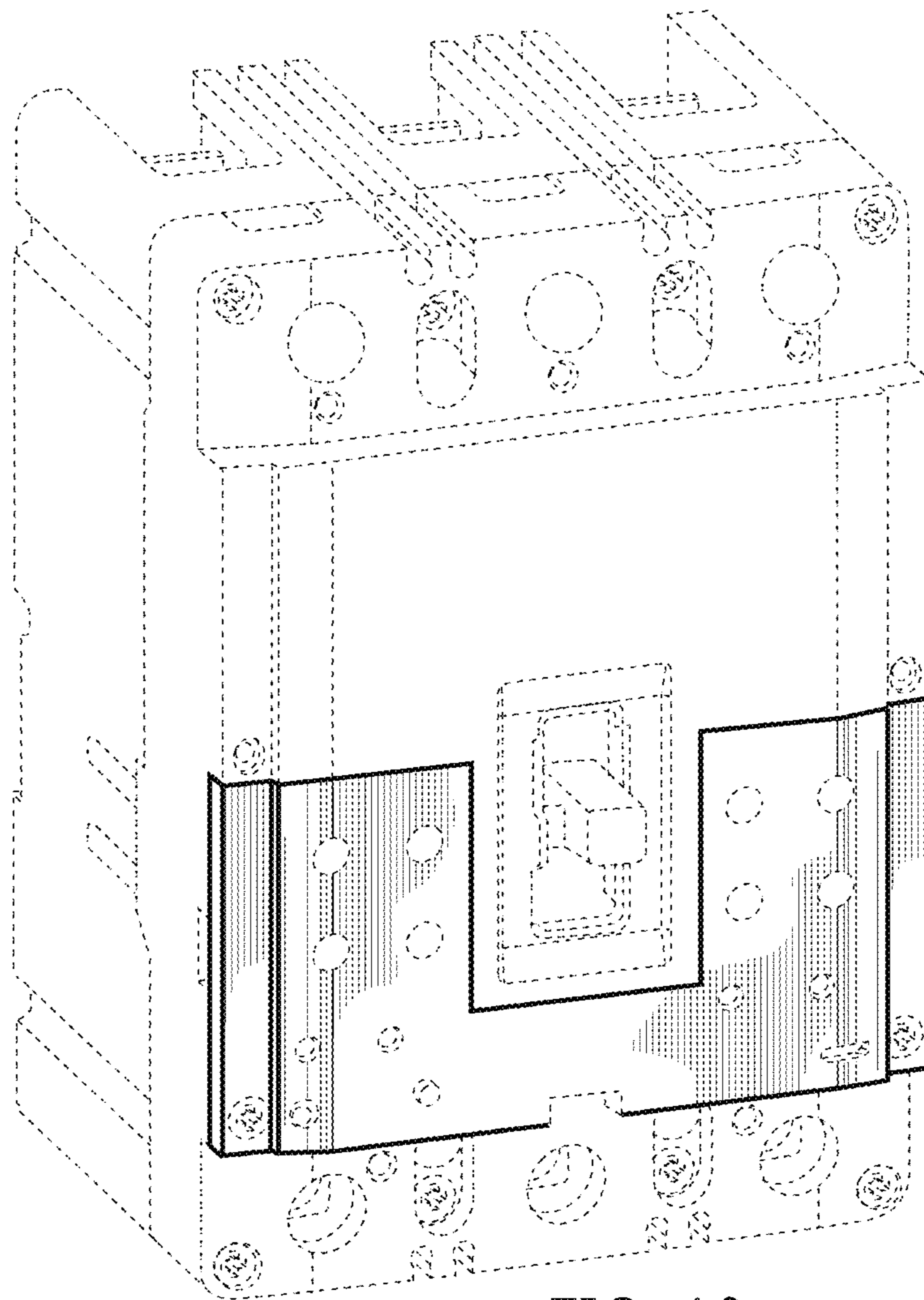


FIG. 10

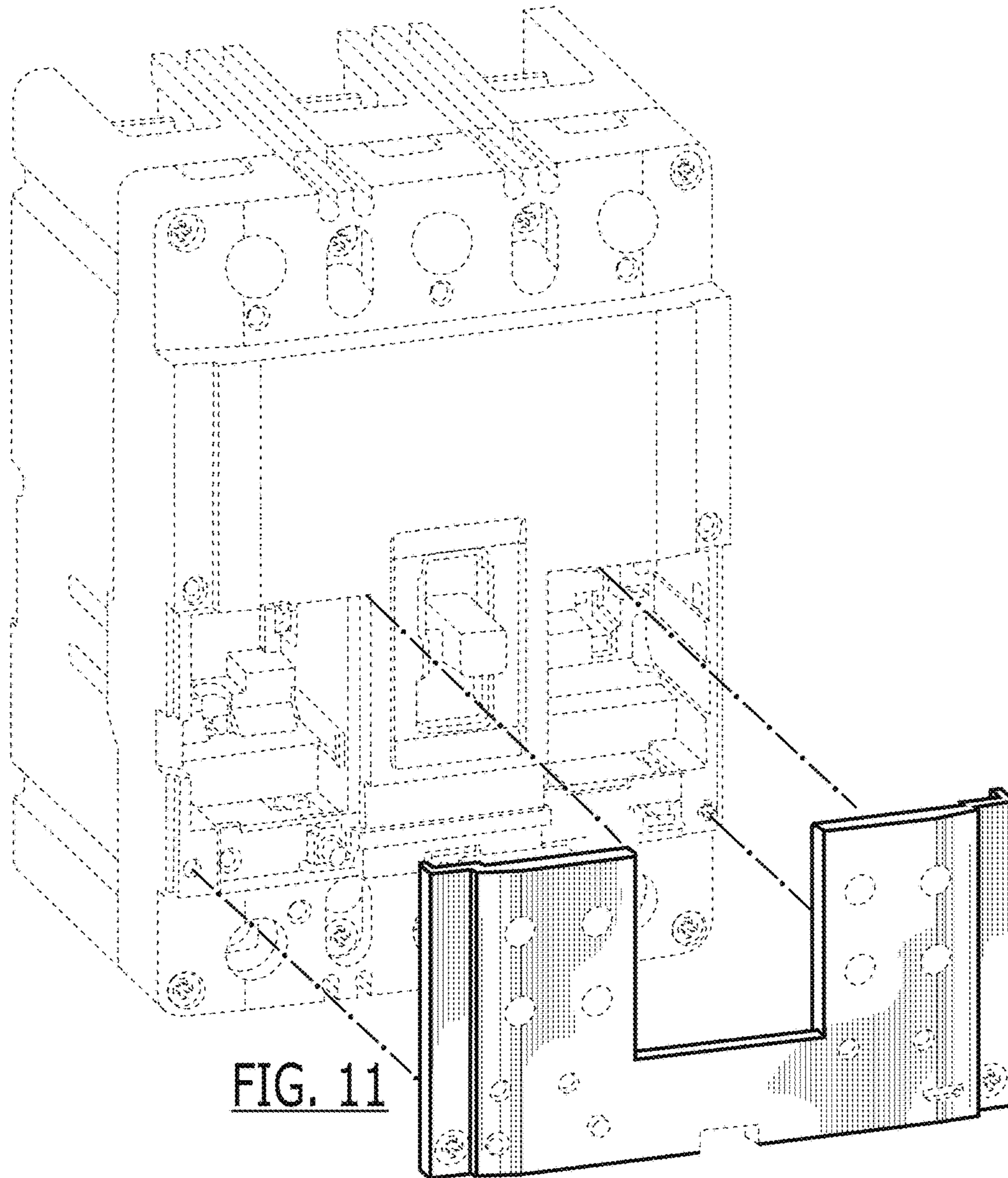


FIG. 11

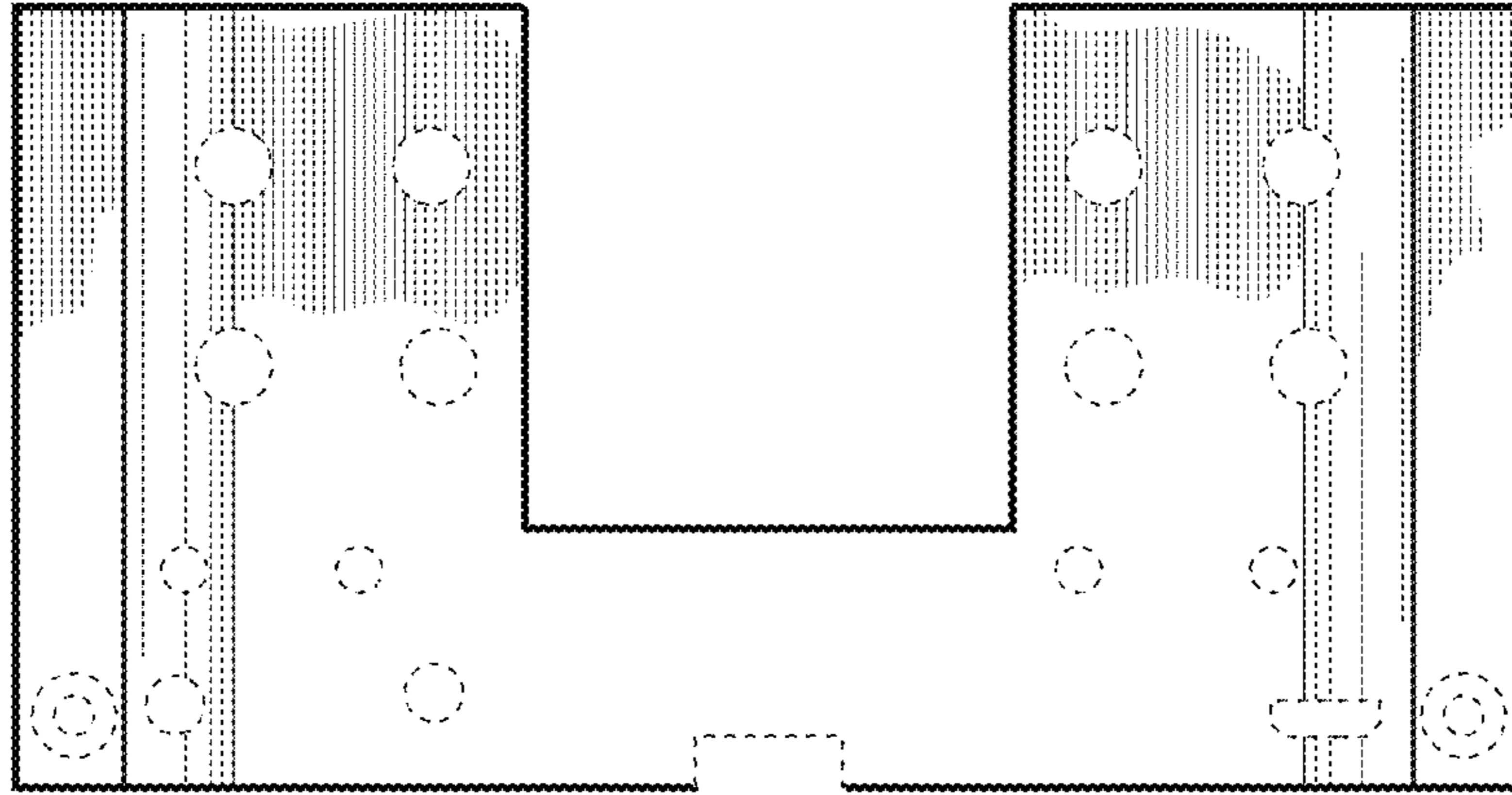


FIG. 12

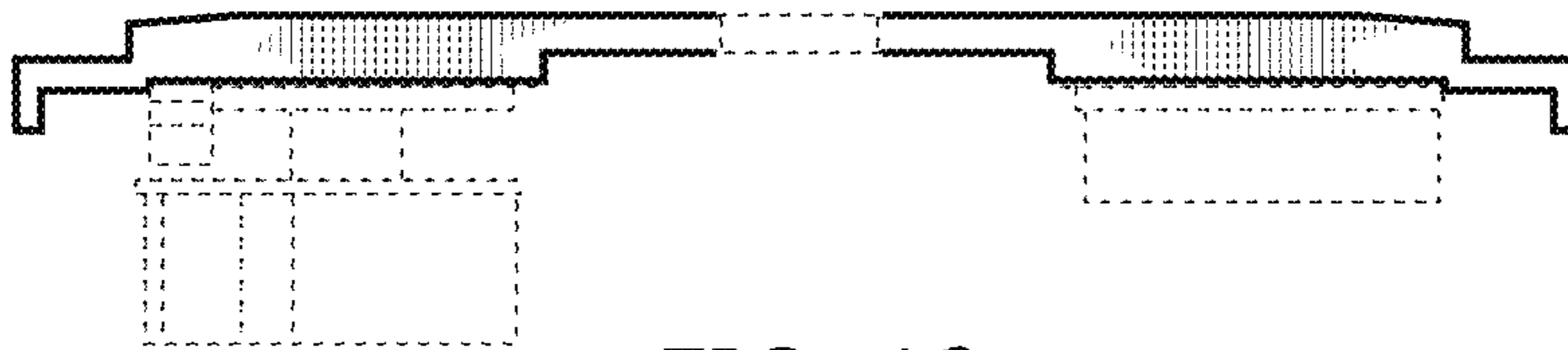


FIG. 13

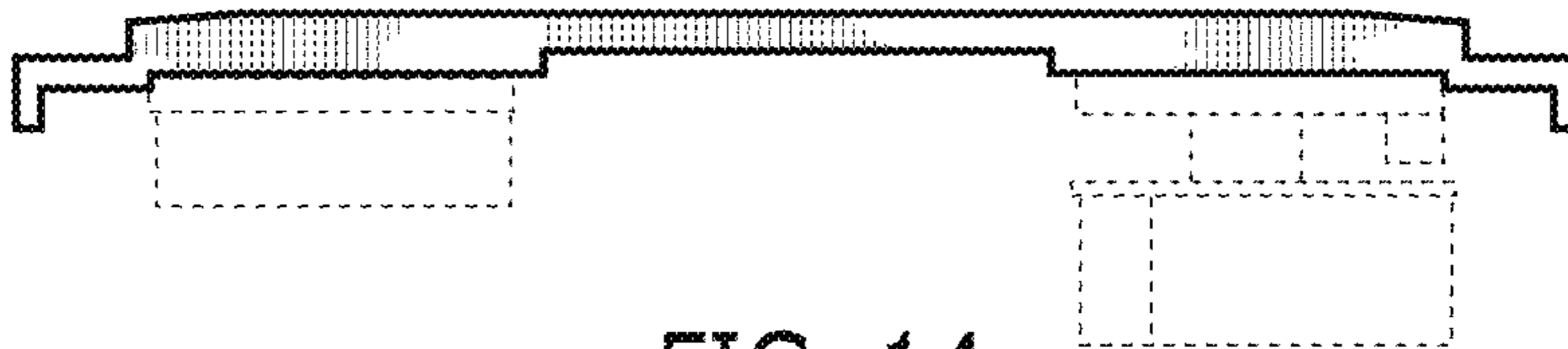


FIG. 14

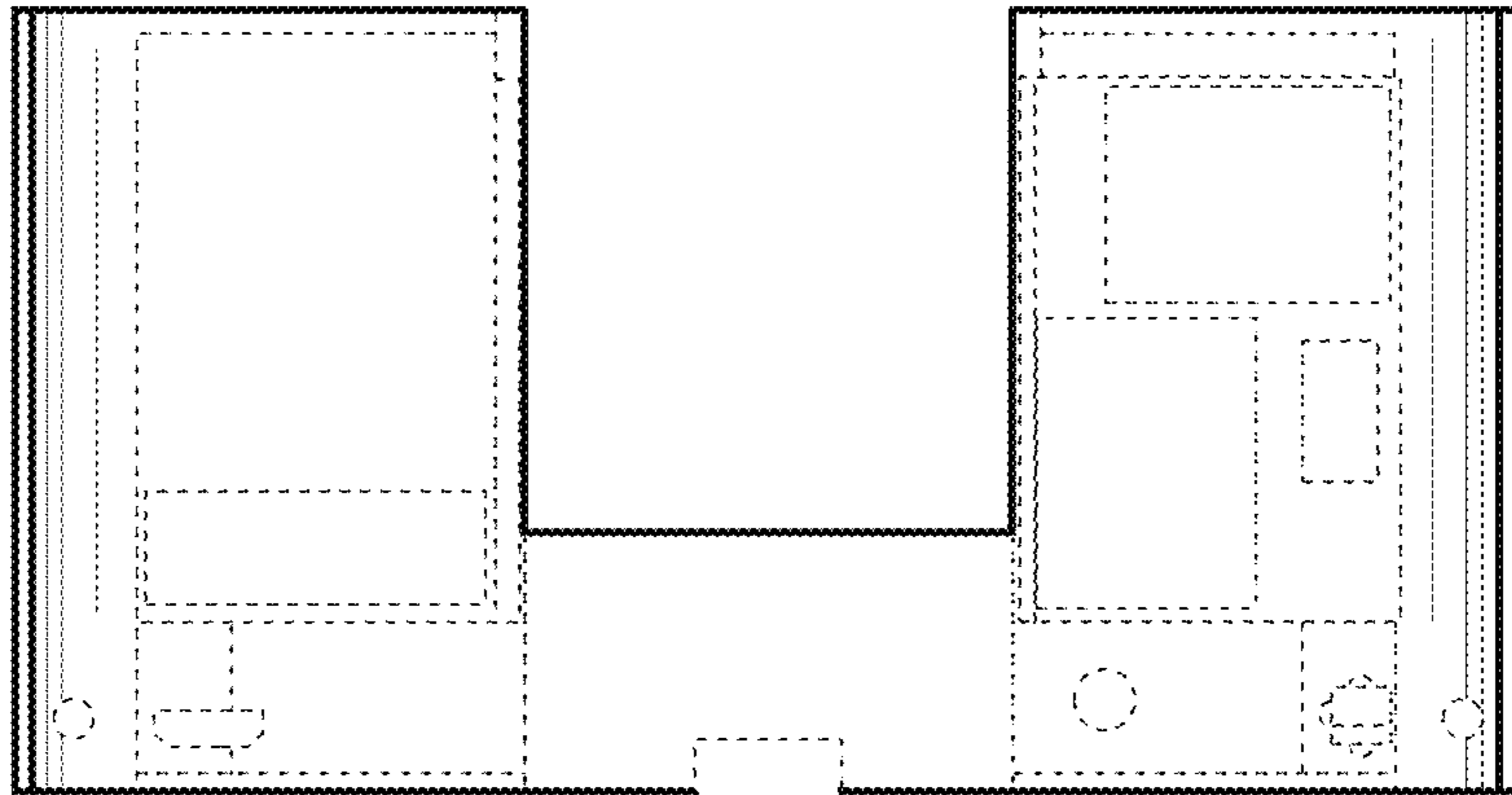


FIG. 15

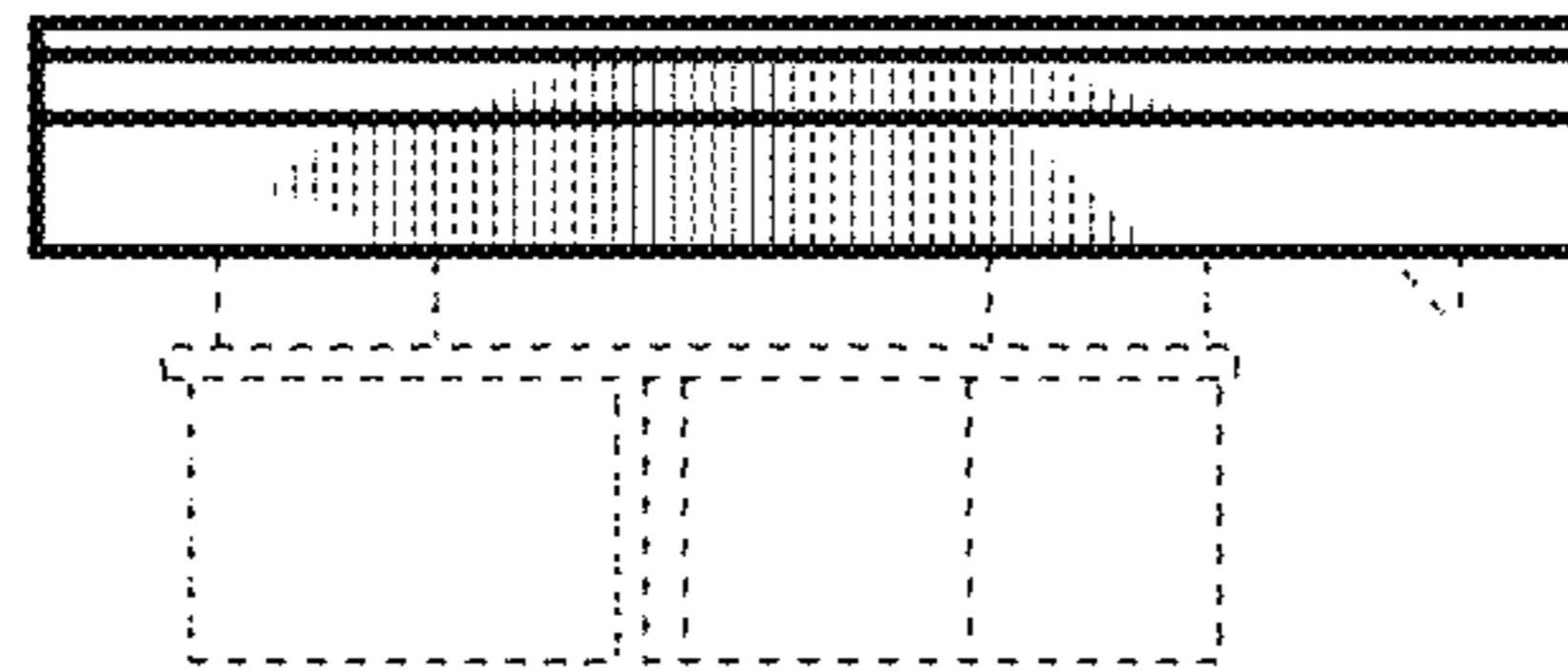


FIG. 16

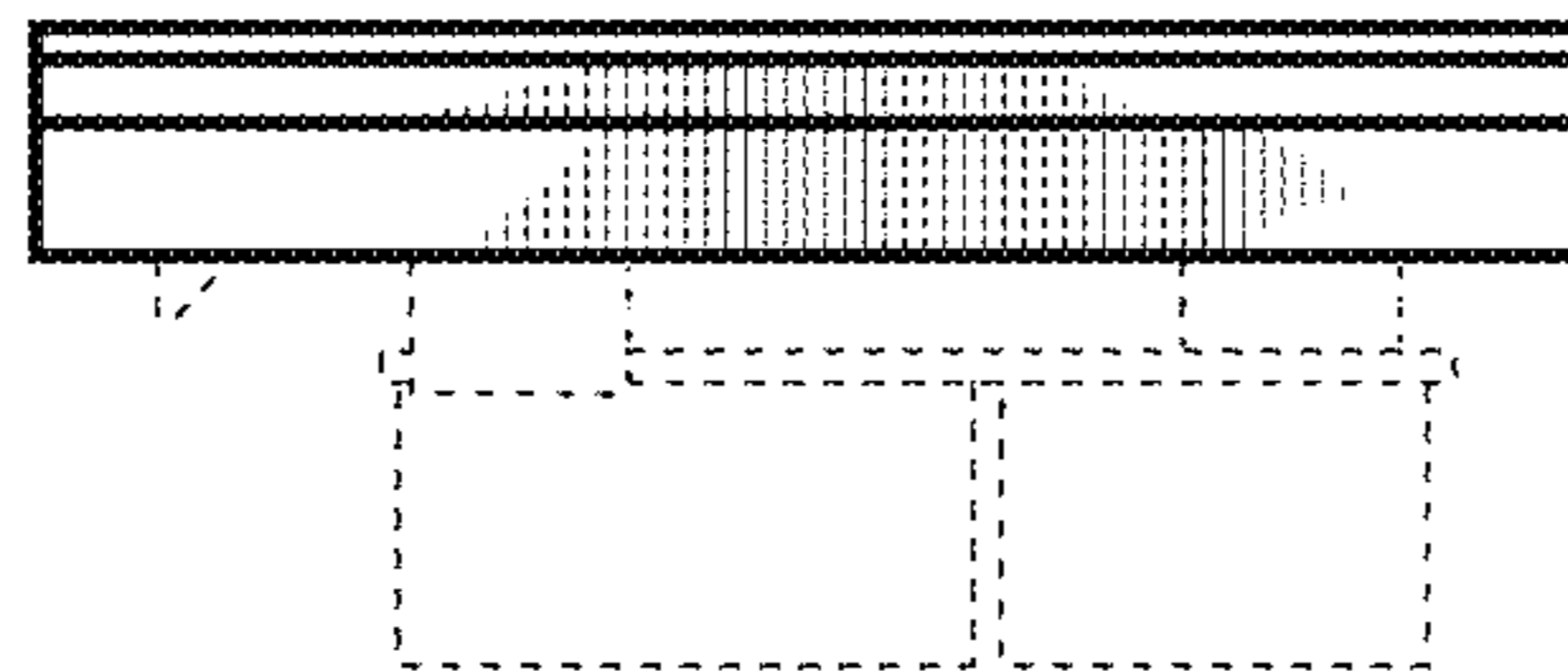


FIG. 17

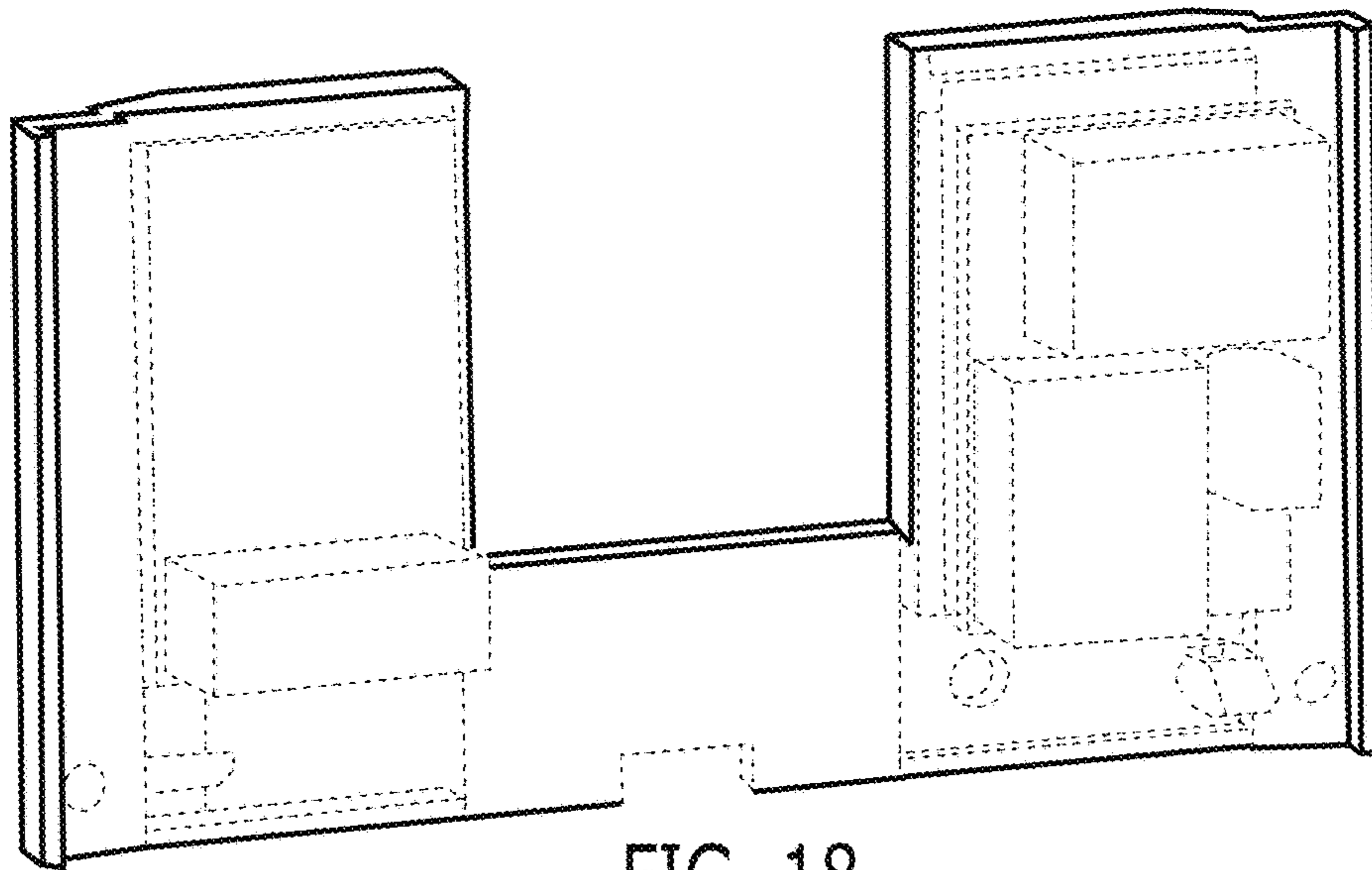


FIG. 18