



US00D781241S

(12) **United States Design Patent**
Knight

(10) **Patent No.:** **US D781,241 S**

(45) **Date of Patent:** **** Mar. 14, 2017**

(54) **USB COVER PLATE**

(71) Applicant: **Darren Charles Knight**, Pleasant Grove, UT (US)

(72) Inventor: **Darren Charles Knight**, Pleasant Grove, UT (US)

(**) Term: **14 Years**

(21) Appl. No.: **29/522,404**

(22) Filed: **Mar. 30, 2015**

D412,886 S *	8/1999	Doran	D13/177
D456,239 S *	4/2002	Luu	D14/242
D460,342 S *	7/2002	Luu	D13/146
D463,367 S *	9/2002	Luu	D13/139.1
D464,865 S *	10/2002	Luu	D26/26
6,977,341 B1 *	12/2005	Gustaveson, II	G07F 15/003 174/66
7,247,793 B2 *	7/2007	Hinkson	B66C 1/34 174/66
D695,693 S *	12/2013	Lee	D13/152
8,864,517 B2 *	10/2014	Cohen	H01R 13/73 439/536
D731,430 S *	6/2015	Segnit	D13/137.2
D732,474 S *	6/2015	Wallach	D13/139.1
9,083,180 B2 *	7/2015	Dodal	H02H 3/16

* cited by examiner

Related U.S. Application Data

(63) Continuation-in-part of application No. 14/549,143, filed on Nov. 20, 2014.

(51) **LOC (10) Cl.** **13-03**

(52) **U.S. Cl.**
USPC **D13/156**

(58) **Field of Classification Search**
USPC D13/120, 121, 123, 133, 154, 158, 160,
D13/173, 178, 184, 199; 174/50, 520, 67;
361/600; 439/723, 752, 135, 149
CPC H01R 13/424; H01R 13/136; H01R 13/4362;
H01R 13/5213
See application file for complete search history.

(56) **References Cited**

U.S. PATENT DOCUMENTS

D271,374 S *	11/1983	Butts	D8/353
D283,979 S *	5/1986	Arnett	439/653
4,611,264 A *	9/1986	Bradley	F21L 4/085 362/183
D346,361 S *	4/1994	Richey	D13/156
D399,829 S *	10/1998	Reed	D13/156

Primary Examiner — Derrick Holland
Assistant Examiner — Jennifer O King

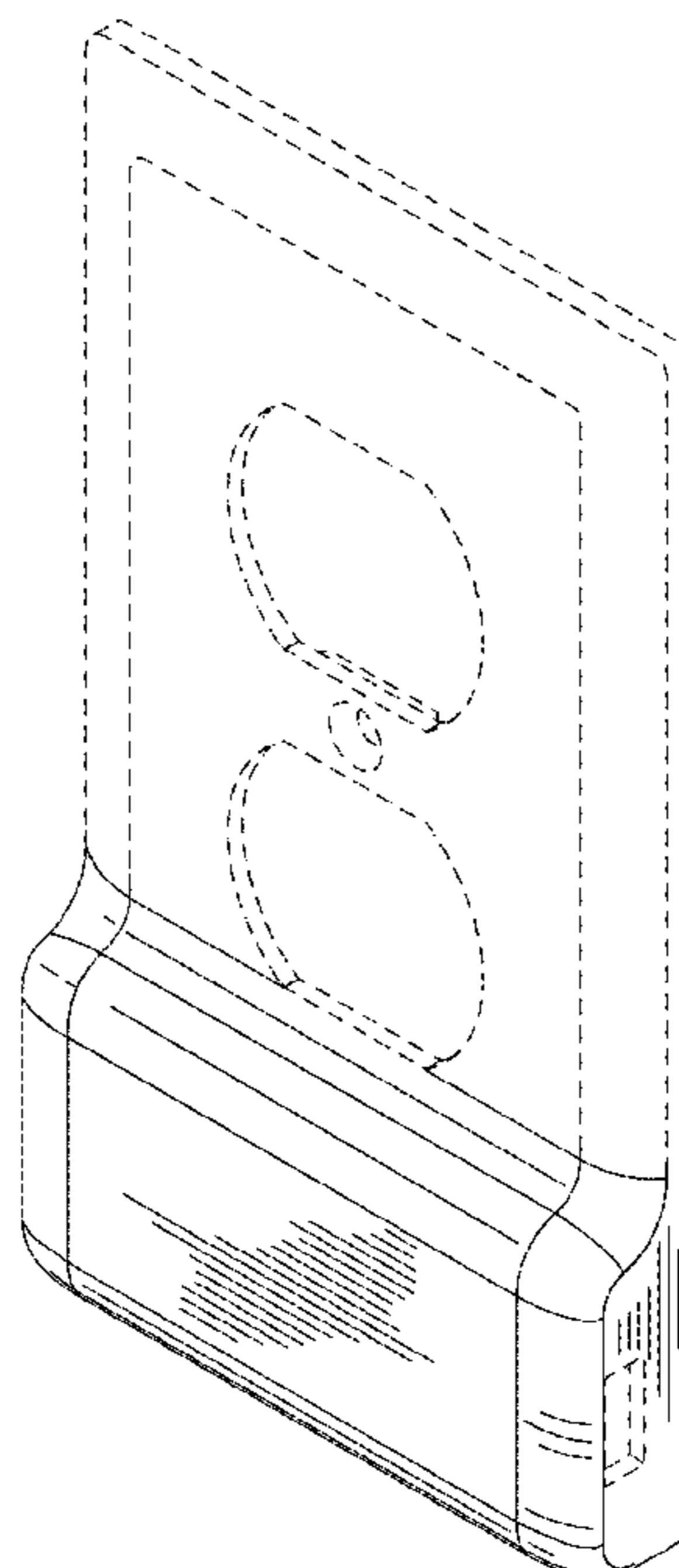
(57) **CLAIM**

The ornamental design for a USB cover plate, as shown and described.

DESCRIPTION

FIG. 1 is a front perspective view of a USB cover plate in accordance with my new design;
FIG. 2 is a top plan view thereof;
FIG. 3 is a first side elevation view thereof;
FIG. 4 is a front elevation view thereof;
FIG. 5 is a second, opposite side elevation view thereof; and,
FIG. 6 is a bottom plan view thereof.
The broken lines represent unclaimed subject matter and form no part of the claimed design. The back of the USB cover plate is not visible during use and forms no part of the claimed design.

1 Claim, 2 Drawing Sheets



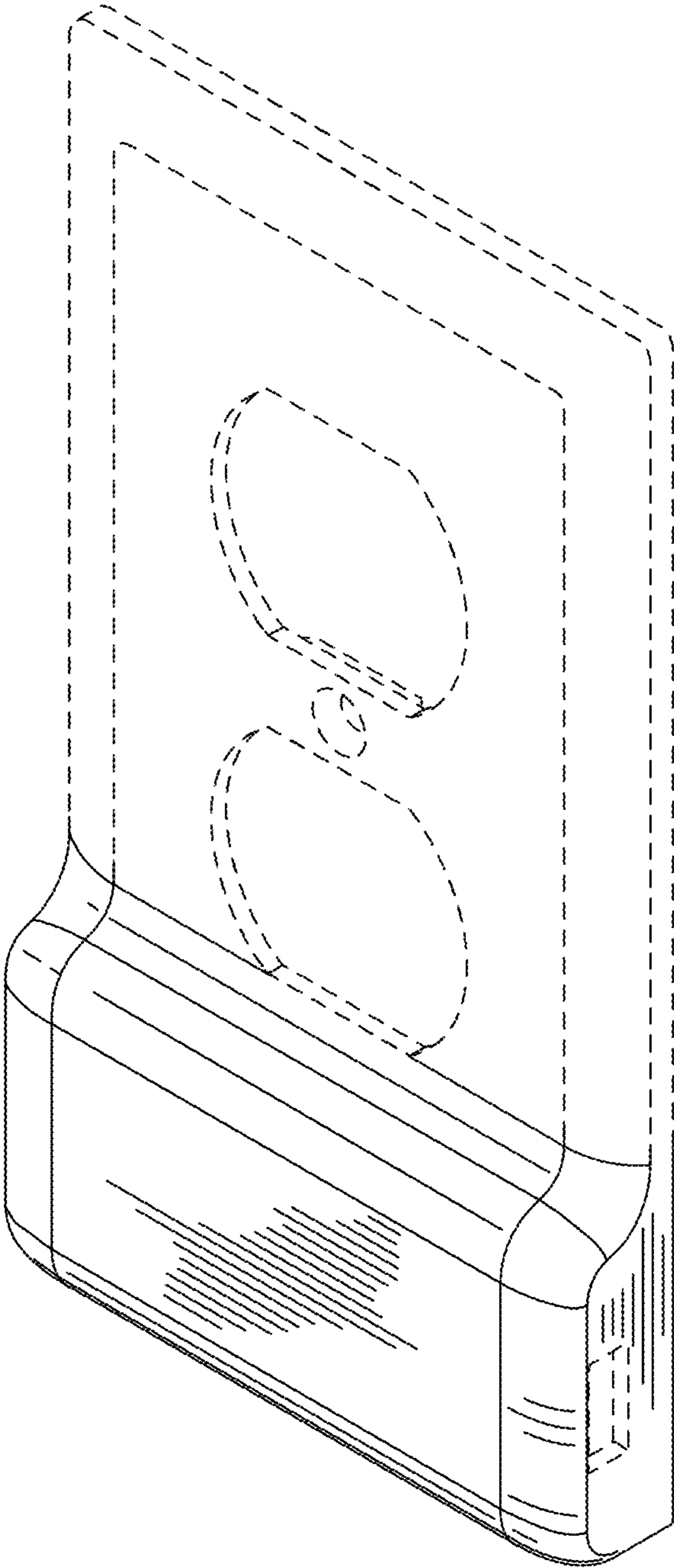


FIG. 1

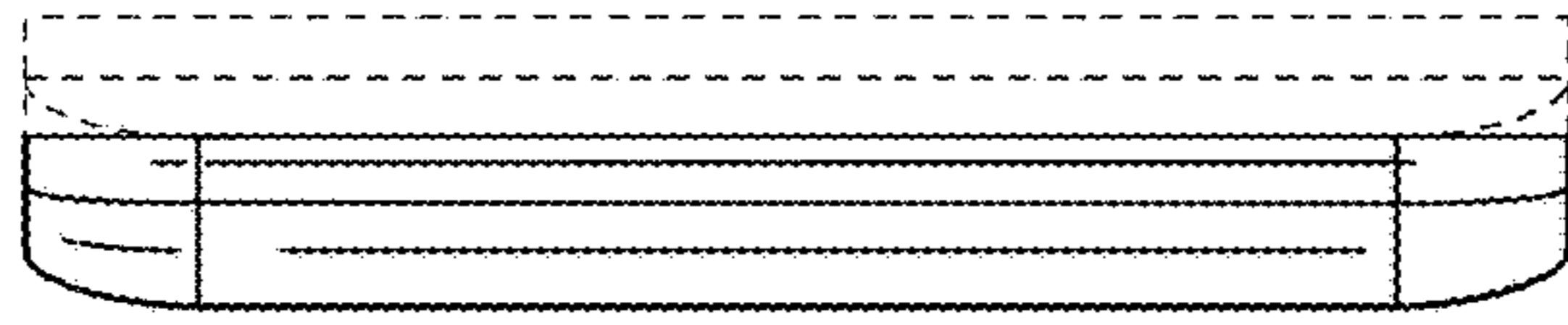


FIG. 2

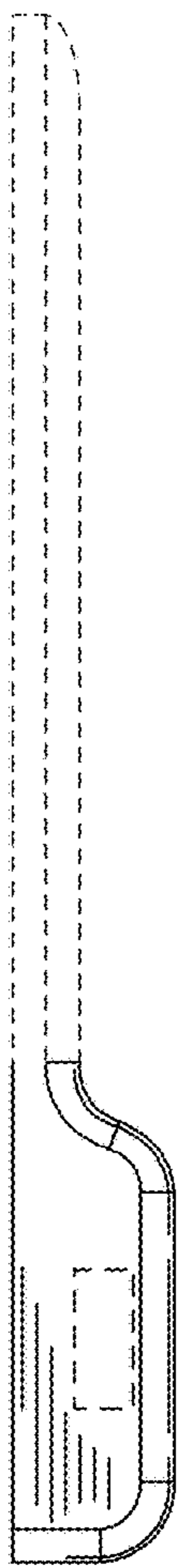


FIG. 3

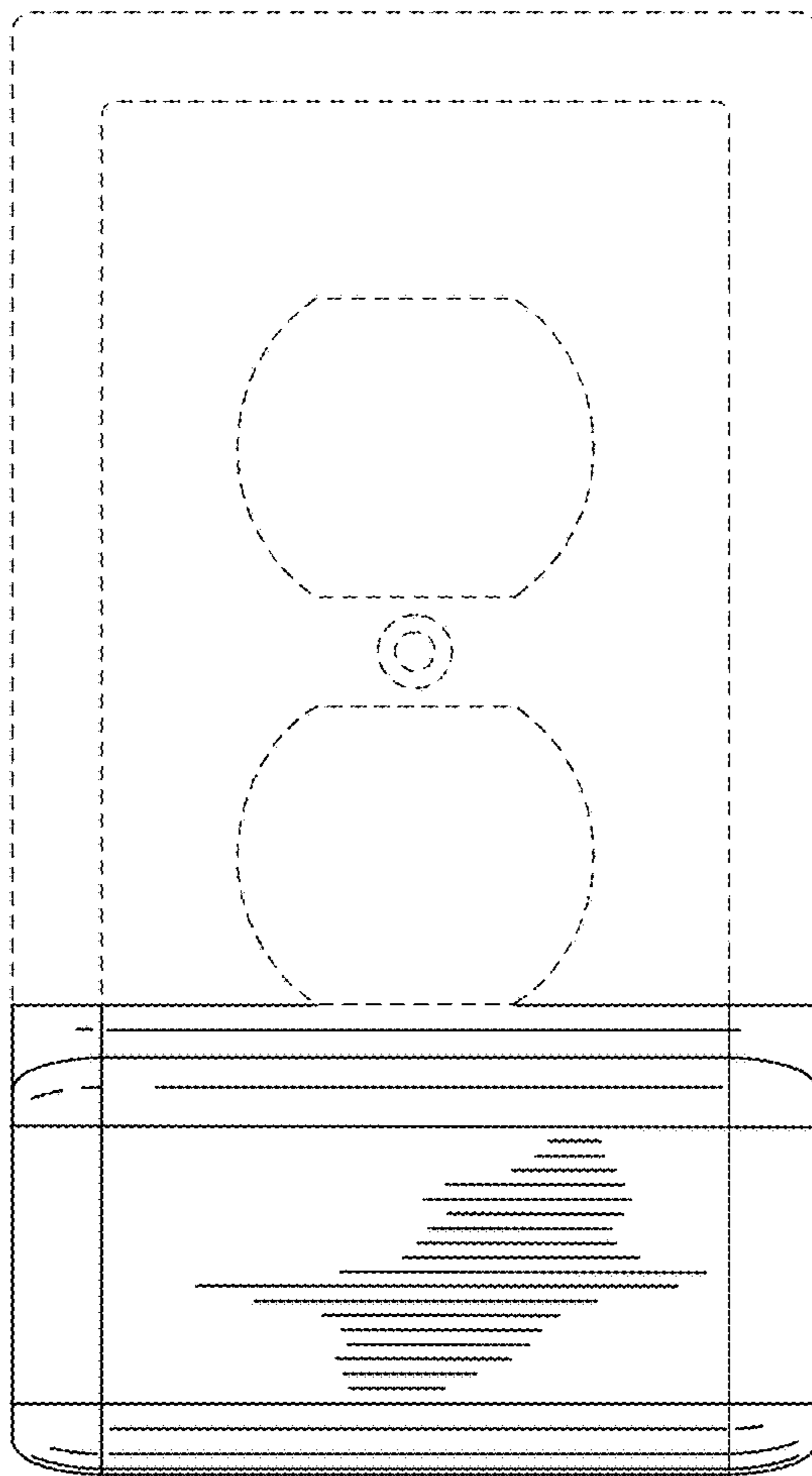


FIG. 4

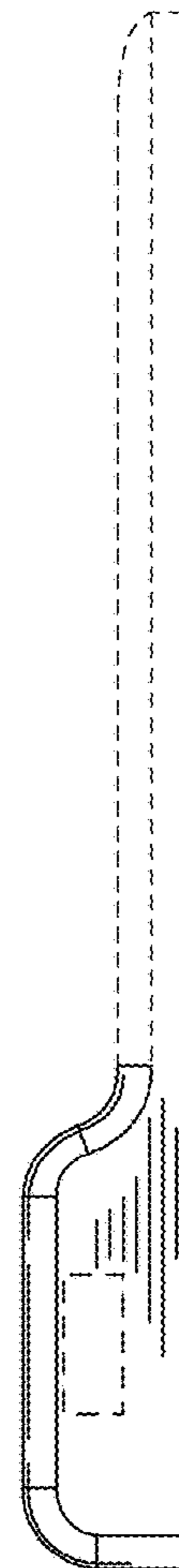


FIG. 5

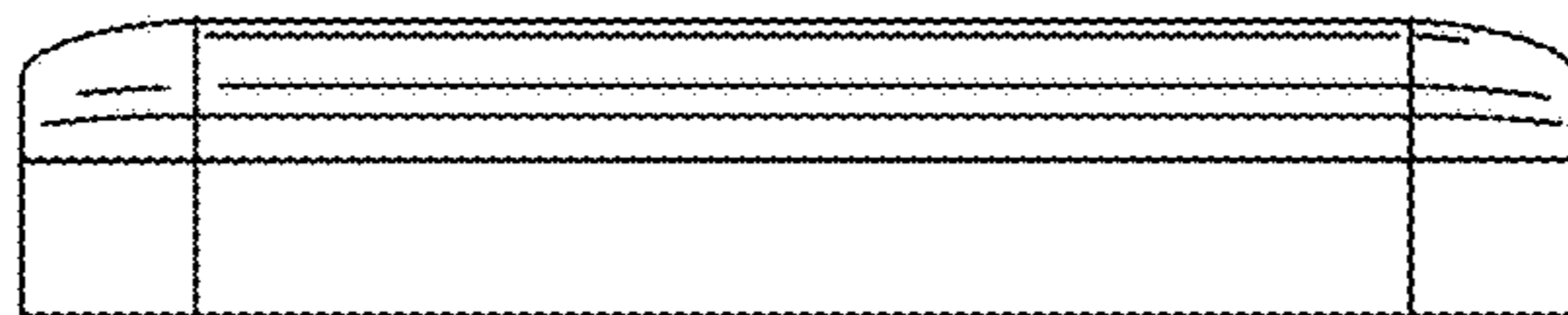


FIG. 6

UNITED STATES PATENT AND TRADEMARK OFFICE
CERTIFICATE OF CORRECTION

PATENT NO. : D781,241 S
APPLICATION NO. : 29/522404
DATED : March 14, 2017
INVENTOR(S) : Darren C. Knight

Page 1 of 1

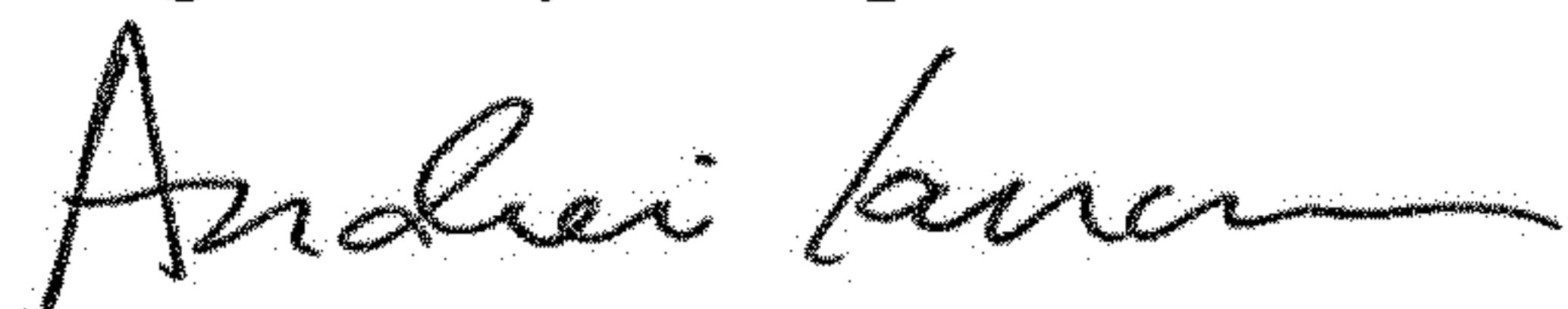
It is certified that error appears in the above-identified patent and that said Letters Patent is hereby corrected as shown below:

On the Title Page

Item (12), should read:
Knight et al

Item (72), should read:
Darren Charles Knight, Pleasant Grove, UT (US);
Jeremy C. Smith, Orem, UT (US)

Signed and Sealed this
Eighth Day of September, 2020



Andrei Iancu
Director of the United States Patent and Trademark Office