



US00D781240S

(12) **United States Design Patent**  
**Karlsson et al.**

(10) **Patent No.:** **US D781,240 S**

(45) **Date of Patent:** **\*\* Mar. 14, 2017**

(54) **LEAD-THROUGH FRAME FOR CABLES,  
WIRES OR PIPES**

(71) Applicant: **MCT Brattberg AB**, Karlskrona (SE)

(72) Inventors: **Anders Karlsson**, Fågelmara (SE);  
**Johan Faberberg**, Karlskrona (SE)

(73) Assignee: **MCT BRATTBERG AB**, Karlskrona  
(SE)

(\*\*) Term: **15 Years**

(21) Appl. No.: **29/562,274**

(22) Filed: **Apr. 25, 2016**

(51) **LOC (10) Cl.** ..... **13-03**

(52) **U.S. Cl.**  
USPC ..... **D13/155**

(58) **Field of Classification Search**  
USPC ..... D13/110, 120–122, 123, 133, 137.1,  
D13/139.1, 139.4, 152, 154, 155, 156,  
D13/158, 162, 164, 173, 177, 184, 199;  
174/67, 66; 439/147–149, 373, 391, 535,  
439/536, 538; 220/241, 242; 361/600,  
361/707, 752  
CPC ..... H02G 3/14; H02G 3/081; H05K 5/0217;  
H01R 13/447  
See application file for complete search history.

(56) **References Cited**

**U.S. PATENT DOCUMENTS**

D271,296 S \* 11/1983 Jones ..... D13/147  
D316,400 S \* 4/1991 Moriai ..... D13/133  
D343,825 S \* 2/1994 Enderby ..... D13/152

6,429,371 B2 \* 8/2002 Schiedegger ..... H02G 3/123  
174/17 CT  
6,723,921 B2 \* 4/2004 Vagedes ..... H02G 3/123  
174/54  
D540,654 S \* 4/2007 Aubert Capella ..... D8/353  
D674,350 S \* 1/2013 Hodge ..... D13/155  
D693,763 S \* 11/2013 Ray ..... D13/108  
D719,529 S \* 12/2014 Hagarty ..... D13/156  
D720,699 S \* 1/2015 Watanabe ..... D13/147  
D738,316 S \* 9/2015 Yoshioka ..... D13/154  
D752,517 S \* 3/2016 Scott ..... D13/139.4  
2006/0090917 A1 \* 5/2006 Lowe ..... H02G 9/10  
174/50

\* cited by examiner

*Primary Examiner* — Derrick Holland  
*Assistant Examiner* — Jennifer O King  
(74) *Attorney, Agent, or Firm* — Cooper Legal Group  
LLC

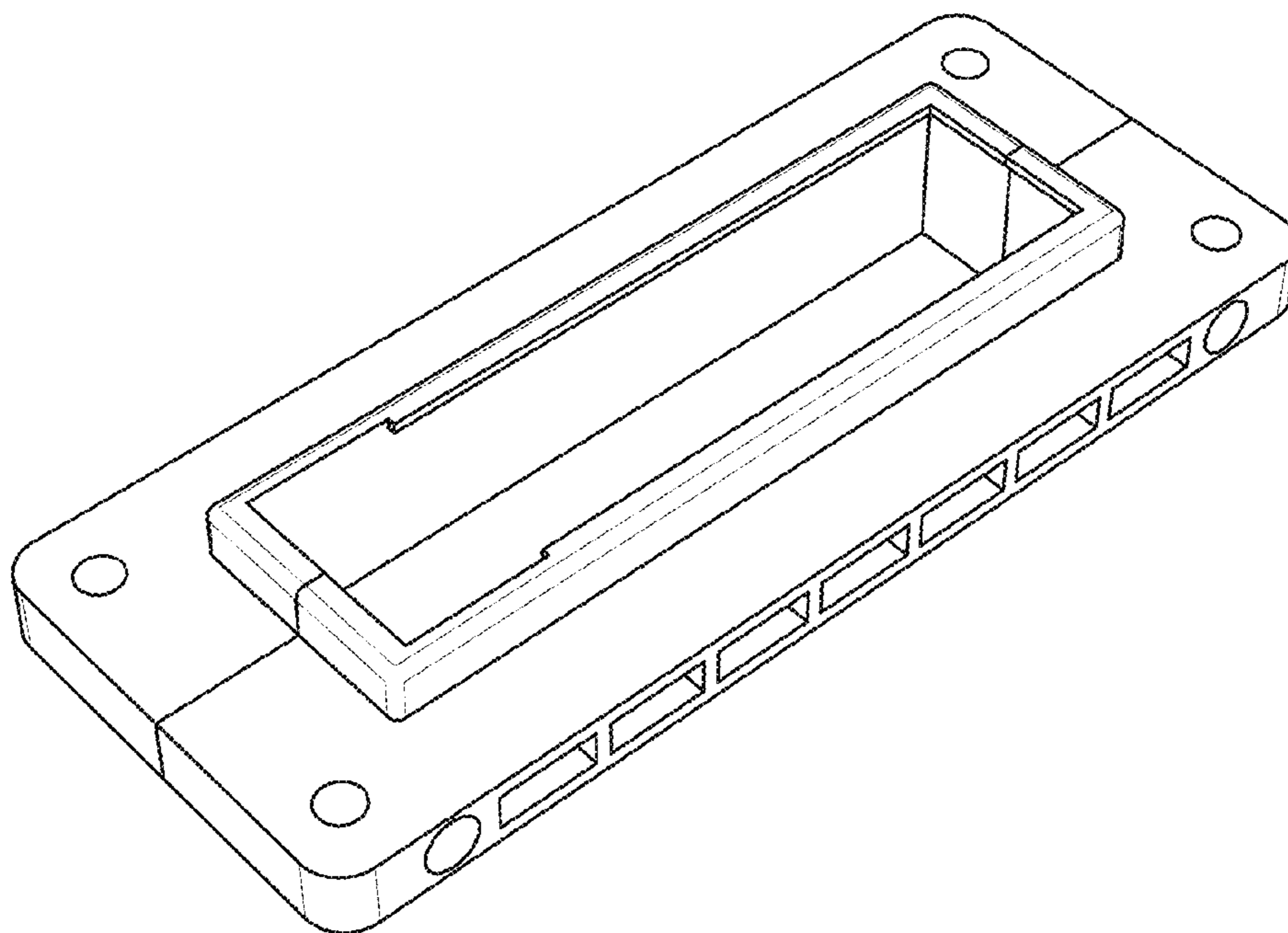
(57) **CLAIM**

The ornamental design for a lead-through frame for cables, wires or pipes, as shown and described.

**DESCRIPTION**

FIG. 1 is a top perspective view of a lead-through frame for cables, wires or pipes;  
FIG. 2 is a bottom perspective view of a thereof;  
FIG. 3 is a first end view thereof;  
FIG. 4 is a top plan view thereof;  
FIG. 5 is a bottom plan view thereof;  
FIG. 6 is a second end view thereof; and,  
FIG. 7 is a side view thereof.  
The broken lines shown represent unclaimed subject matter and form no part of the claimed design.

**1 Claim, 3 Drawing Sheets**



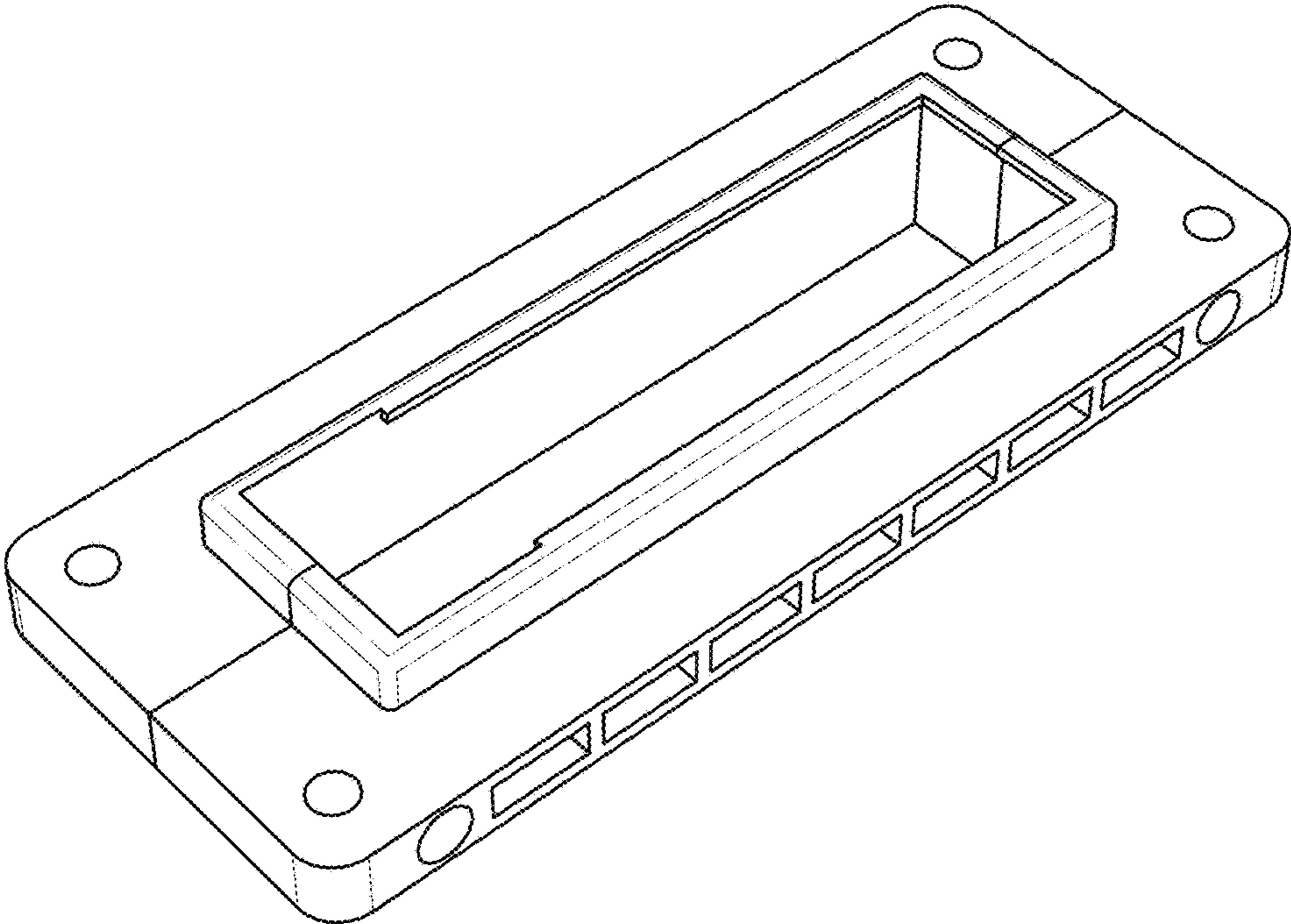


Fig. 1

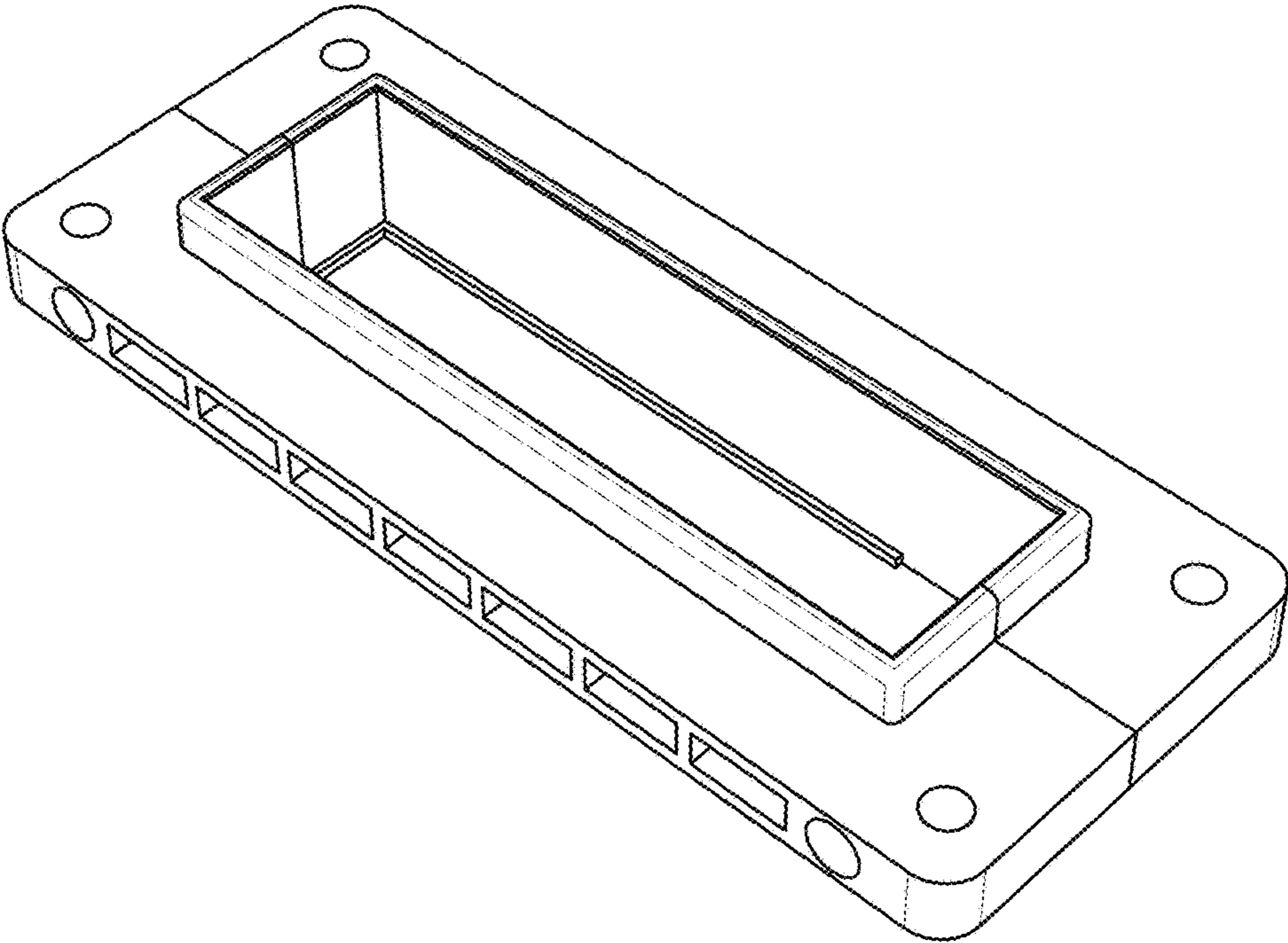
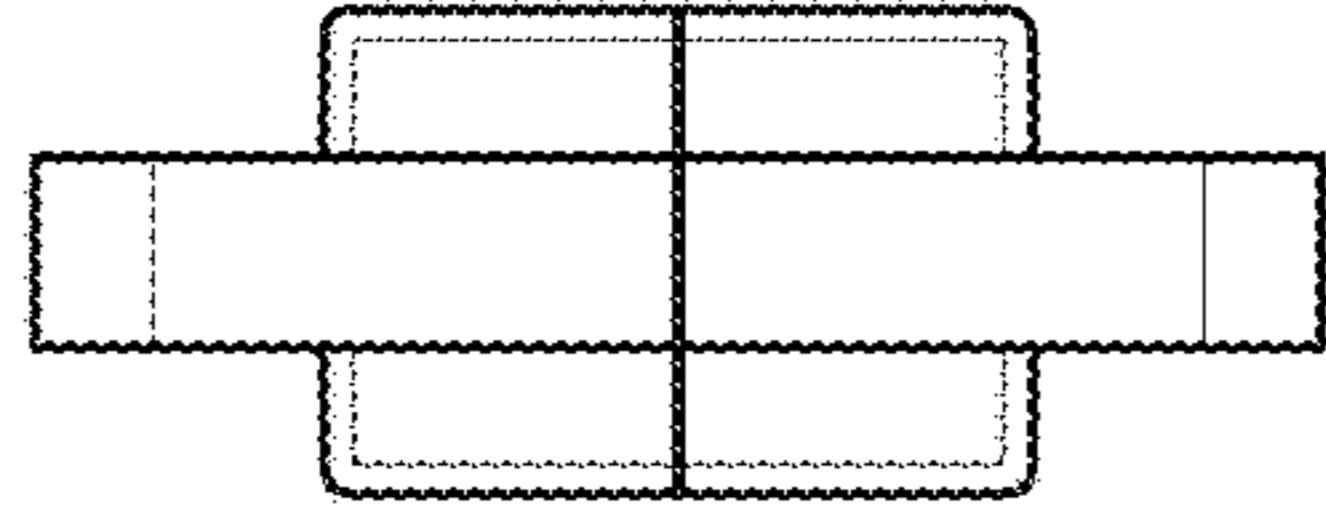
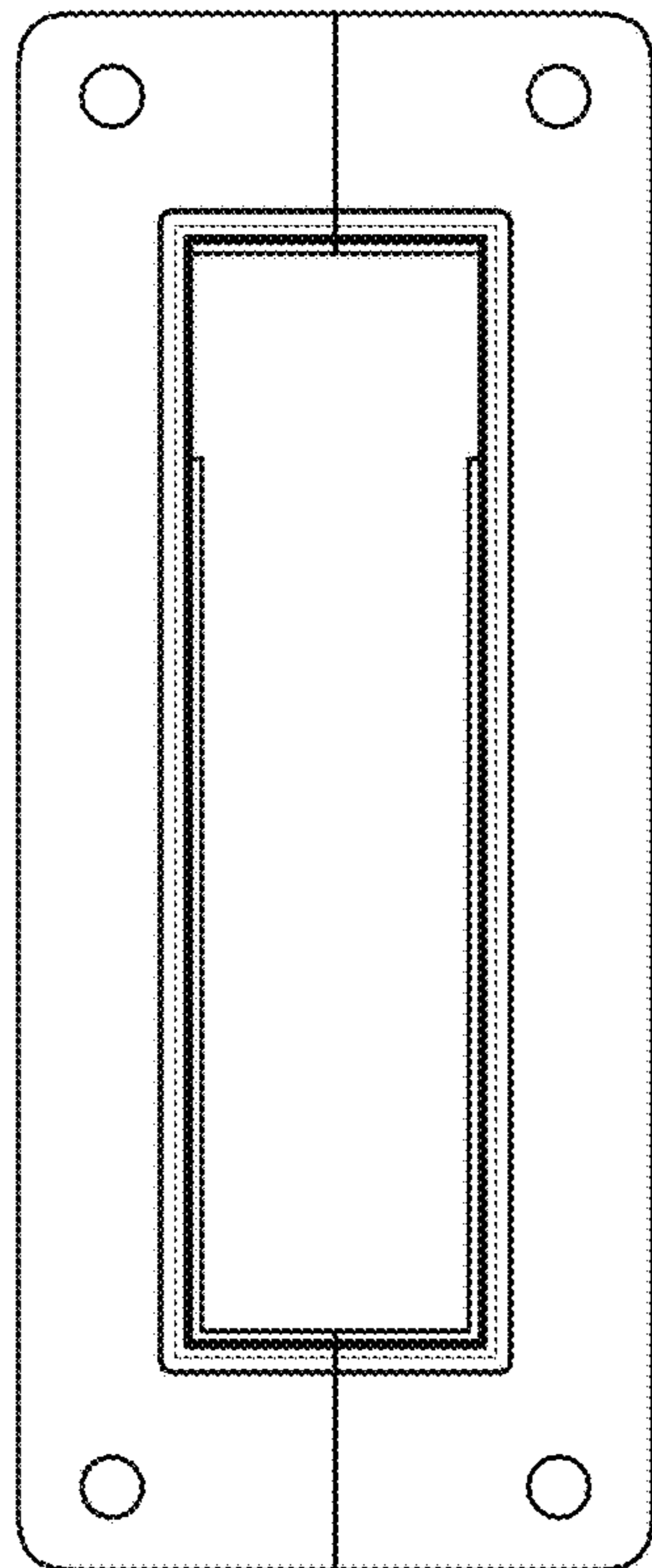


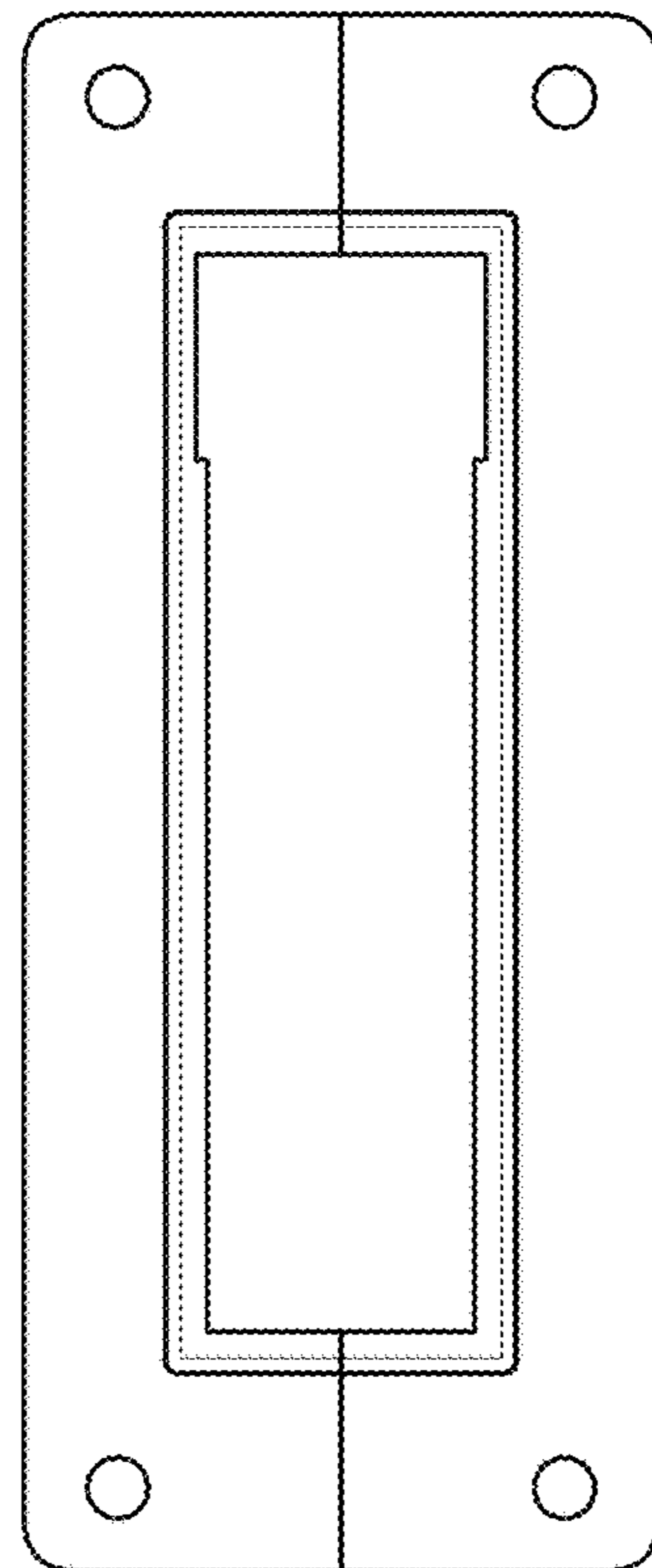
Fig. 2



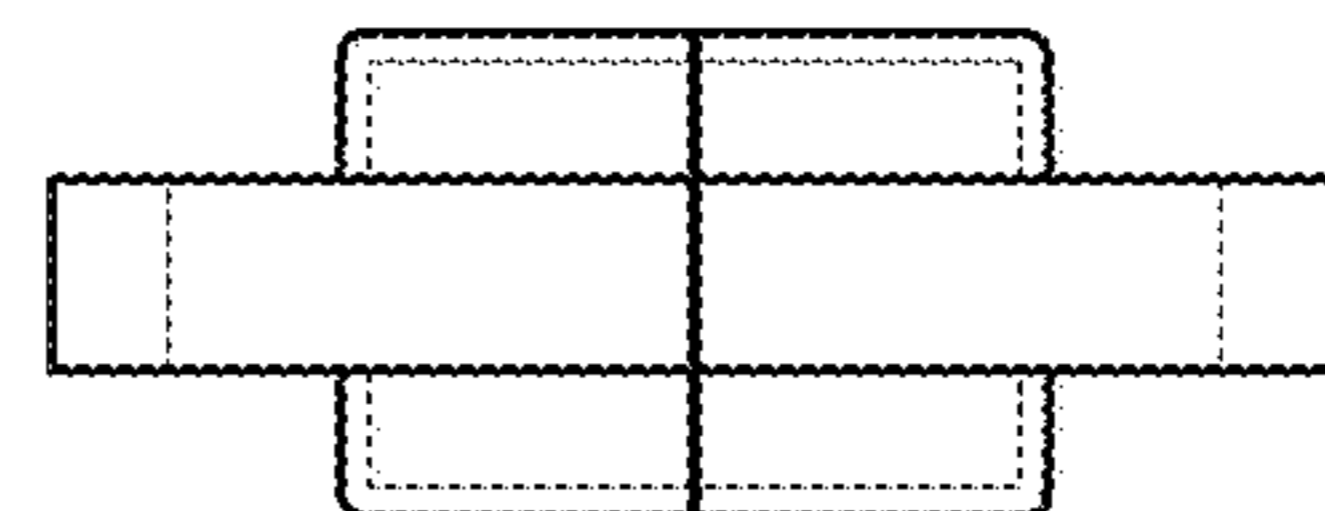
**Fig. 3**



**Fig. 4**



**Fig. 5**



**Fig. 6**

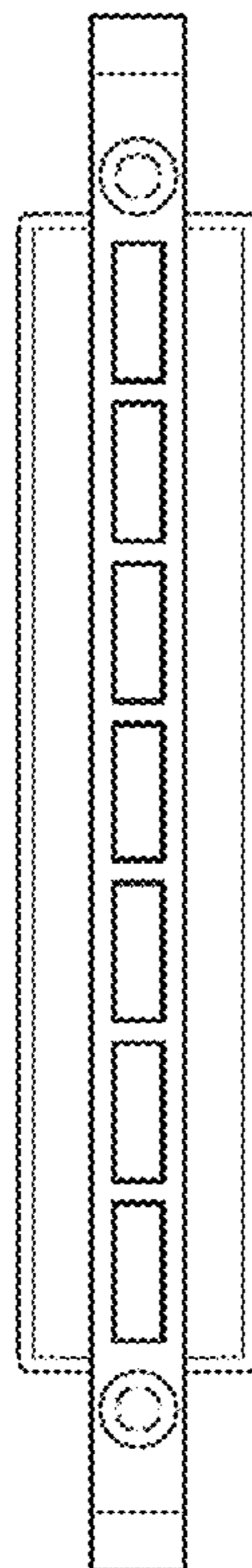


Fig. 7



UNITED STATES PATENT AND TRADEMARK OFFICE  
**CERTIFICATE OF CORRECTION**

PATENT NO. : D781,240 S  
APPLICATION NO. : 29/562274  
DATED : March 14, 2017  
INVENTOR(S) : Karlsson et al.

Page 1 of 1

It is certified that error appears in the above-identified patent and that said Letters Patent is hereby corrected as shown below:

On the Title Page

Item (72) please delete the second inventor's name "Faberberg" and replace with --Fagerberg--

Signed and Sealed this  
Twentieth Day of June, 2017



Joseph Matal  
*Performing the Functions and Duties of the  
Under Secretary of Commerce for Intellectual Property and  
Director of the United States Patent and Trademark Office*