



US00D781239S

(12) **United States Design Patent**
Ikeda et al.

(10) **Patent No.:** **US D781,239 S**
(45) **Date of Patent:** **** Mar. 14, 2017**

(54) **TERMINAL FITTING FOR ELECTRIC CONNECTOR**

(71) Applicant: **Molex, LLC**, Lisle, IL (US)

(72) Inventors: **Makiko Ikeda**, Yamato (JP);
Kazushige Asakawa, Yokohama (JP)

(73) Assignee: **Molex, LLC**, Lisle, IL (US)

(**) Term: **14 Years**

(21) Appl. No.: **29/503,271**

(22) Filed: **Sep. 24, 2014**

(30) **Foreign Application Priority Data**

Mar. 25, 2014 (JP) 2014-006285

(51) **LOC (10) Cl.** **13-03**

(52) **U.S. Cl.**
USPC **D13/154**

(58) **Field of Classification Search**
USPC D13/133, 134, 146-148, 153, 154, 184,
D13/199
CPC H01R 13/405; H01R 13/432; H01R 13/6585;
H01R 13/6595; H01R 24/66; H01R
24/76; H01R 43/16; H01R 2107/00
See application file for complete search history.

(56) **References Cited**

U.S. PATENT DOCUMENTS

D317,901 S	7/1991	Makit et al.	
D335,649 S	5/1993	Ogawa	
D463,370 S	9/2002	Chen	
D475,022 S *	5/2003	Kihira	D13/133
6,767,259 B2 *	7/2004	Kojima	H01R 13/114 439/595
D494,545 S *	8/2004	Kuroda	D13/154
D515,506 S	2/2006	Takaya et al.	

D523,399 S	6/2006	Sakamaki et al.	
D527,705 S	9/2006	Takaya et al.	
D527,706 S	9/2006	Takaya et al.	
D592,150 S *	5/2009	Ogata	D13/154
D605,133 S	12/2009	Tanaka et al.	
7,856,712 B2 *	12/2010	Busies	H01R 13/113 29/874
D652,387 S	1/2012	Ohkuma	
D668,621 S *	10/2012	Gieski	D13/154
D719,098 S	12/2014	Endo et al.	
D723,475 S *	3/2015	Chen	D13/154
9,118,131 B2 *	8/2015	Jakoplic	H01R 13/17

(Continued)

Primary Examiner — Garth Rademaker
Assistant Examiner — Richard Kearney
(74) *Attorney, Agent, or Firm* — James A. O'Malley

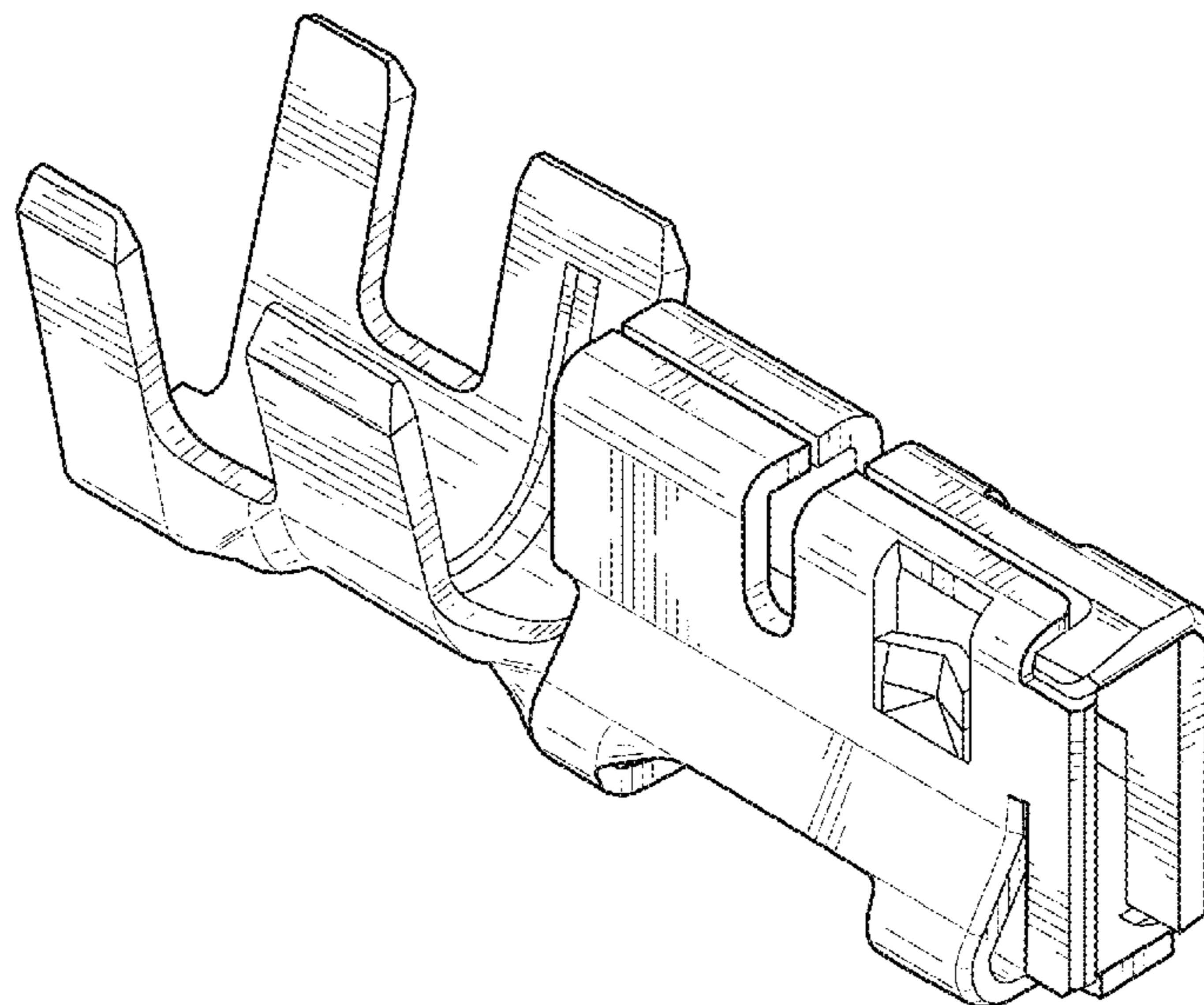
(57) **CLAIM**

The ornamental design for a terminal fitting for electric connector, as shown and described.

DESCRIPTION

FIG. 1 is a top perspective view of a terminal fitting for an electrical connector;
FIG. 2 is a bottom perspective view of the terminal fitting for an electrical connector of FIG. 1;
FIG. 3 is a first side elevation view of the terminal fitting for an electrical connector of FIG. 1;
FIG. 4 is a second side elevation view of the terminal fitting for an electrical connector of FIG. 1;
FIG. 5 is a top plan view of the terminal fitting for an electrical connector of FIG. 1;
FIG. 6 is a bottom plan view of the terminal fitting for an electrical connector of FIG. 1;
FIG. 7 is a front elevation view of the terminal fitting for an electrical connector of FIG. 1; and,
FIG. 8 is a back elevation view of the terminal fitting for an electrical connector of FIG. 1.

1 Claim, 8 Drawing Sheets



(56)

References Cited

U.S. PATENT DOCUMENTS

D762,587 S *	8/2016	Ebisawa	D13/154
2014/0141662 A1 *	5/2014	Kutsuna	H01R 13/114 439/888
2014/0315417 A1 *	10/2014	Wada	H01R 13/113 439/357
2015/0229092 A1 *	8/2015	Kubodera	C22C 9/06 29/874
2015/0244106 A1 *	8/2015	Miyakawa	H01R 13/113 439/345

* cited by examiner

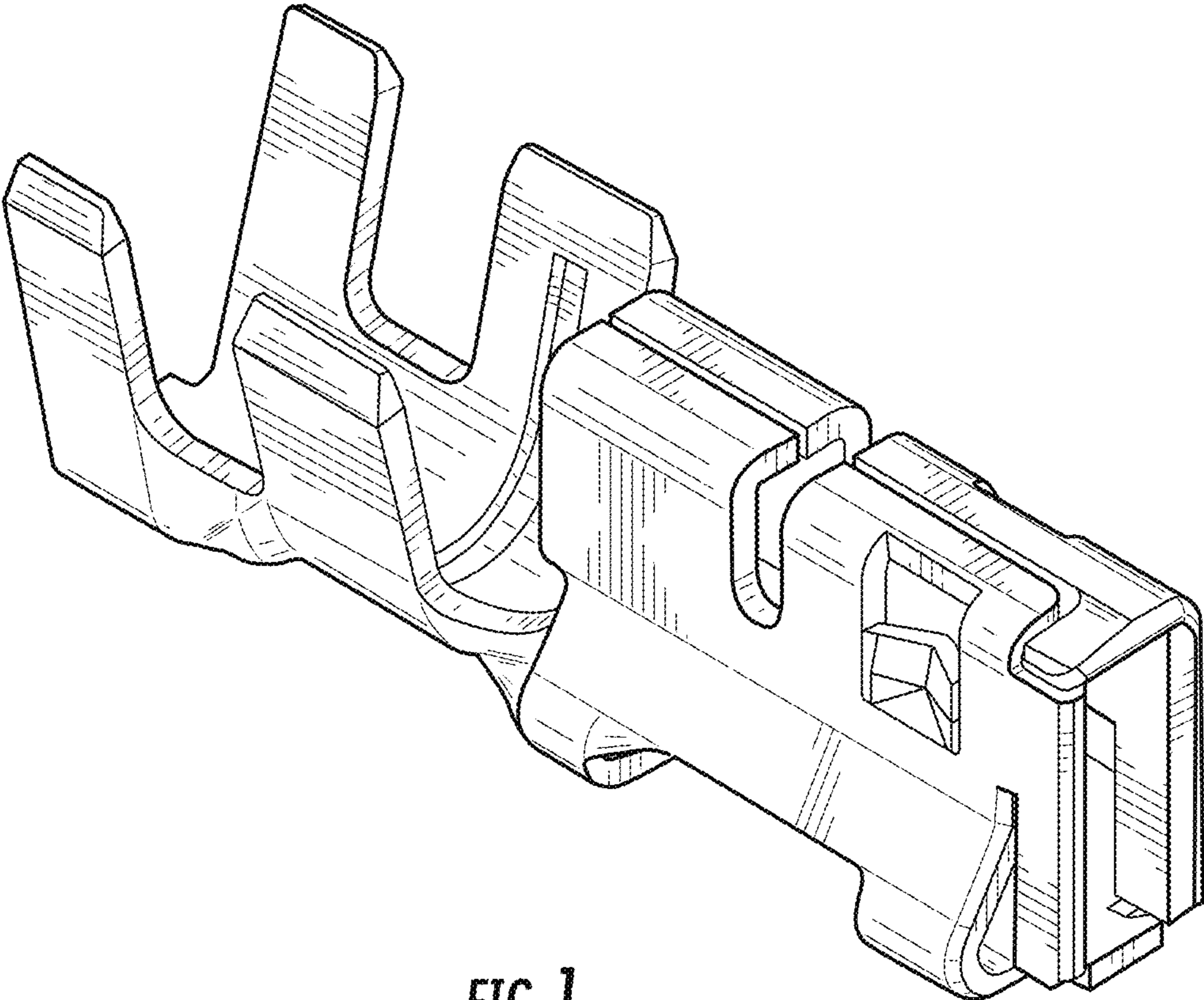


FIG. 1

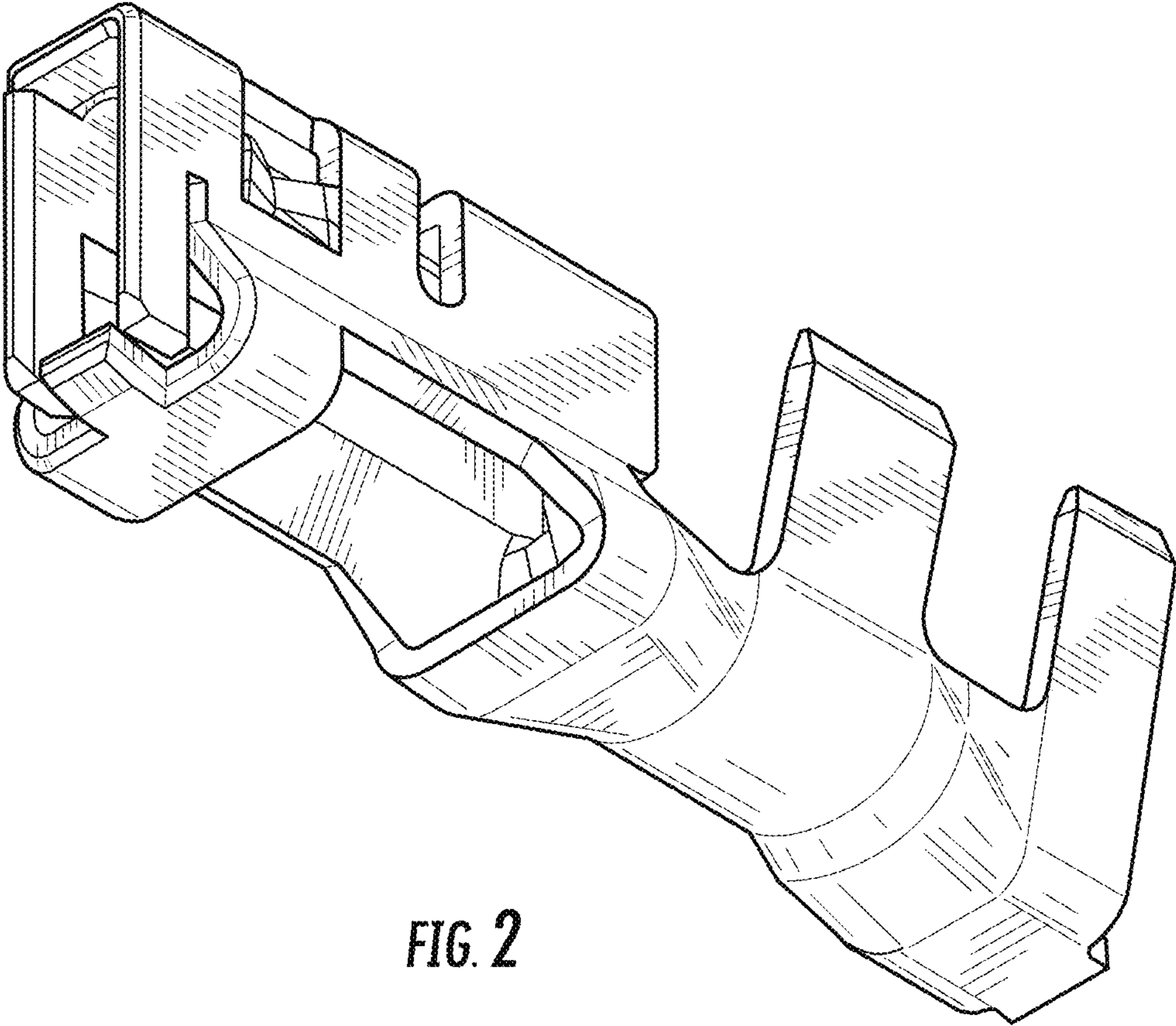


FIG. 2

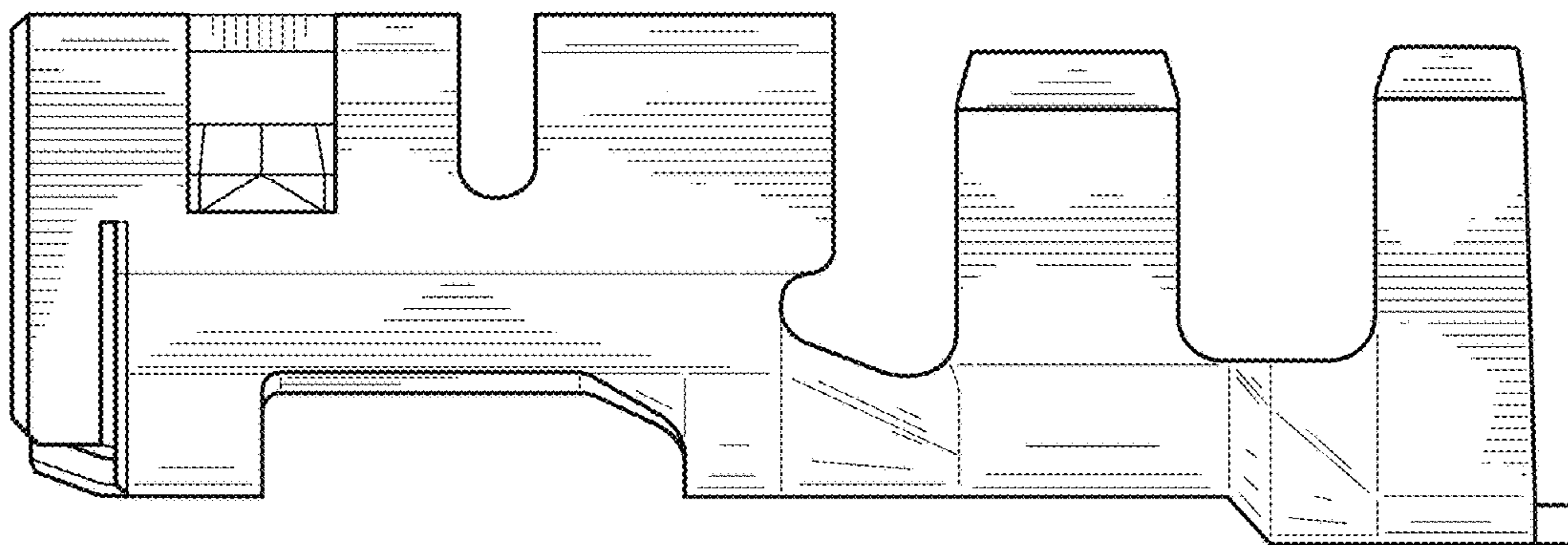


FIG. 3

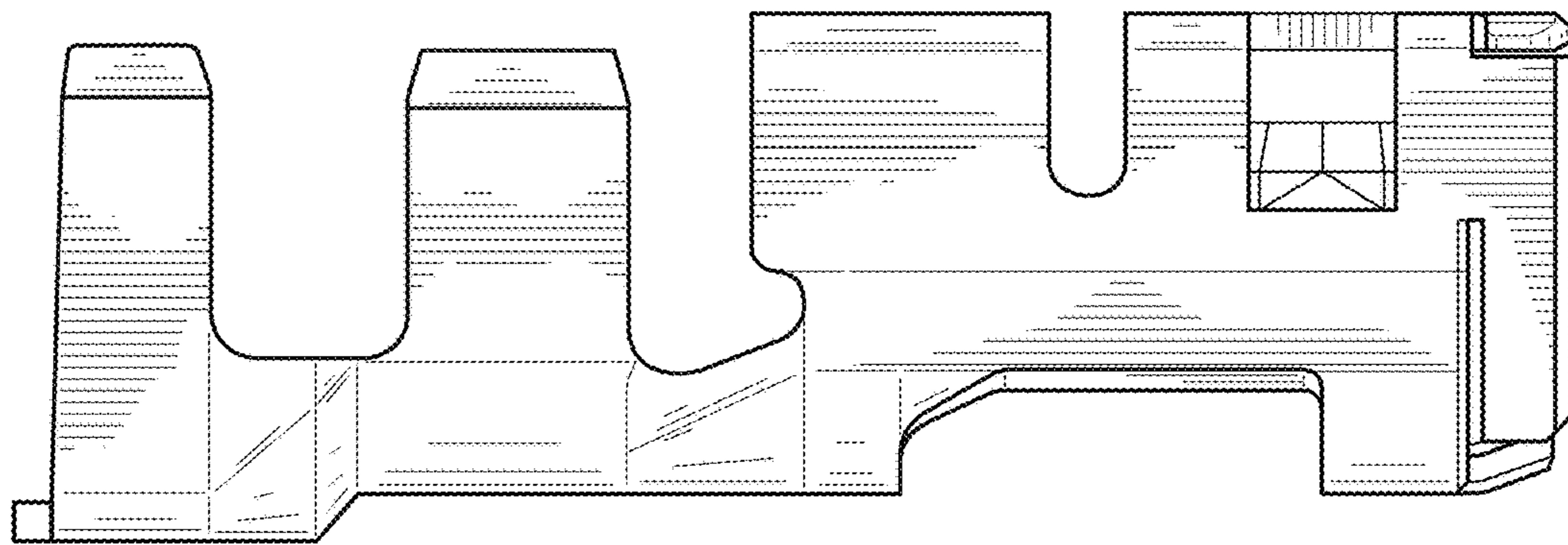


FIG. 4

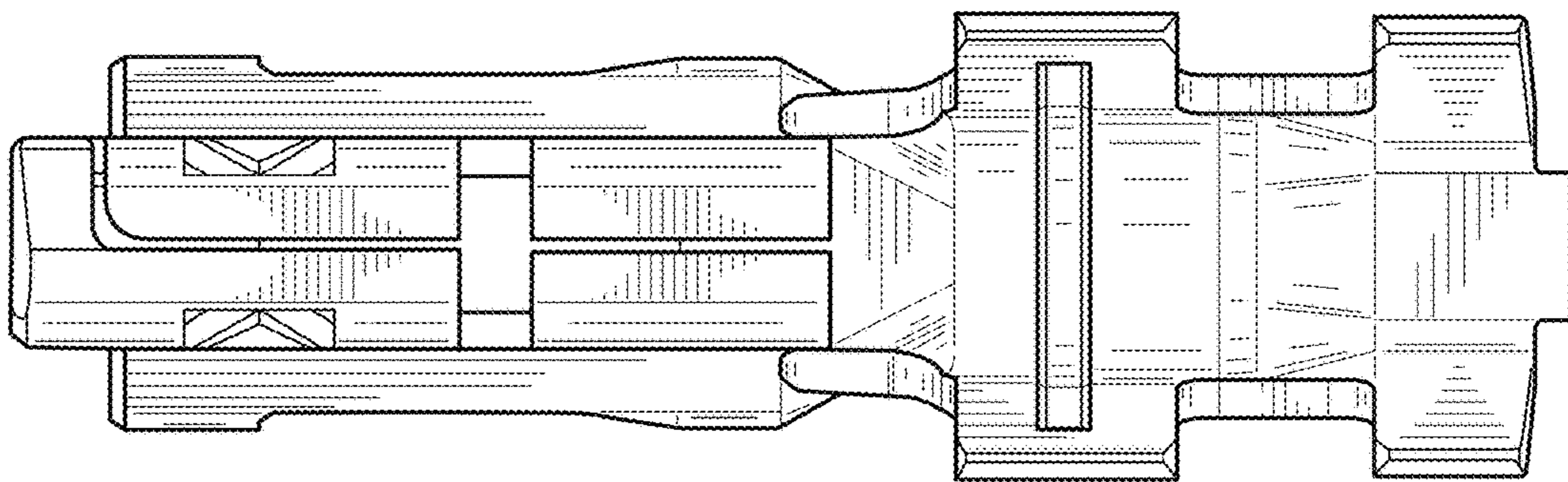


FIG. 5

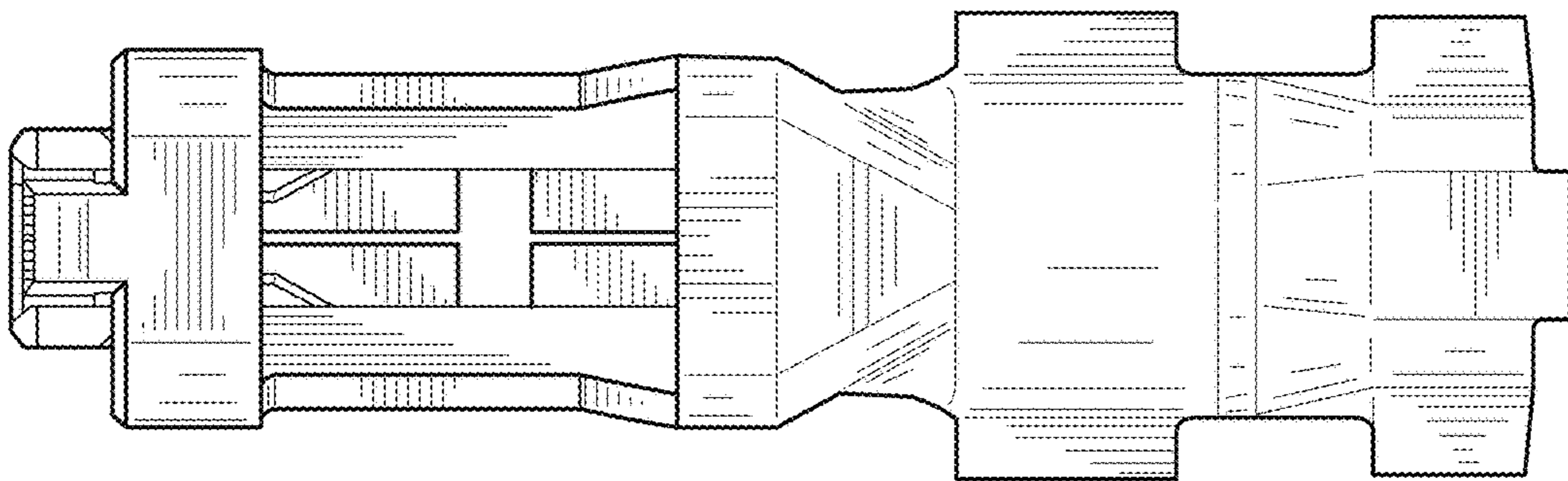


FIG. 6

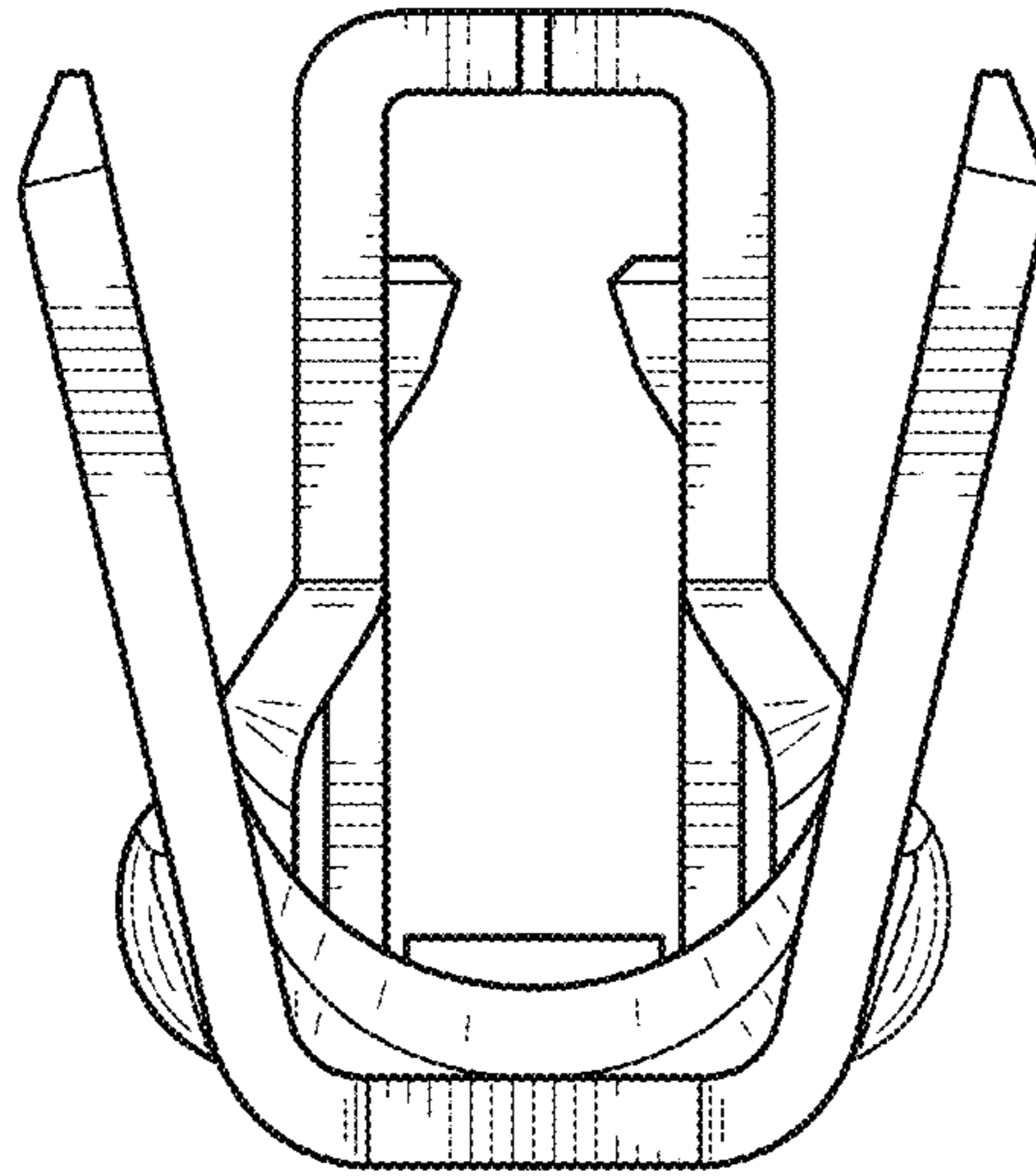


FIG. 7

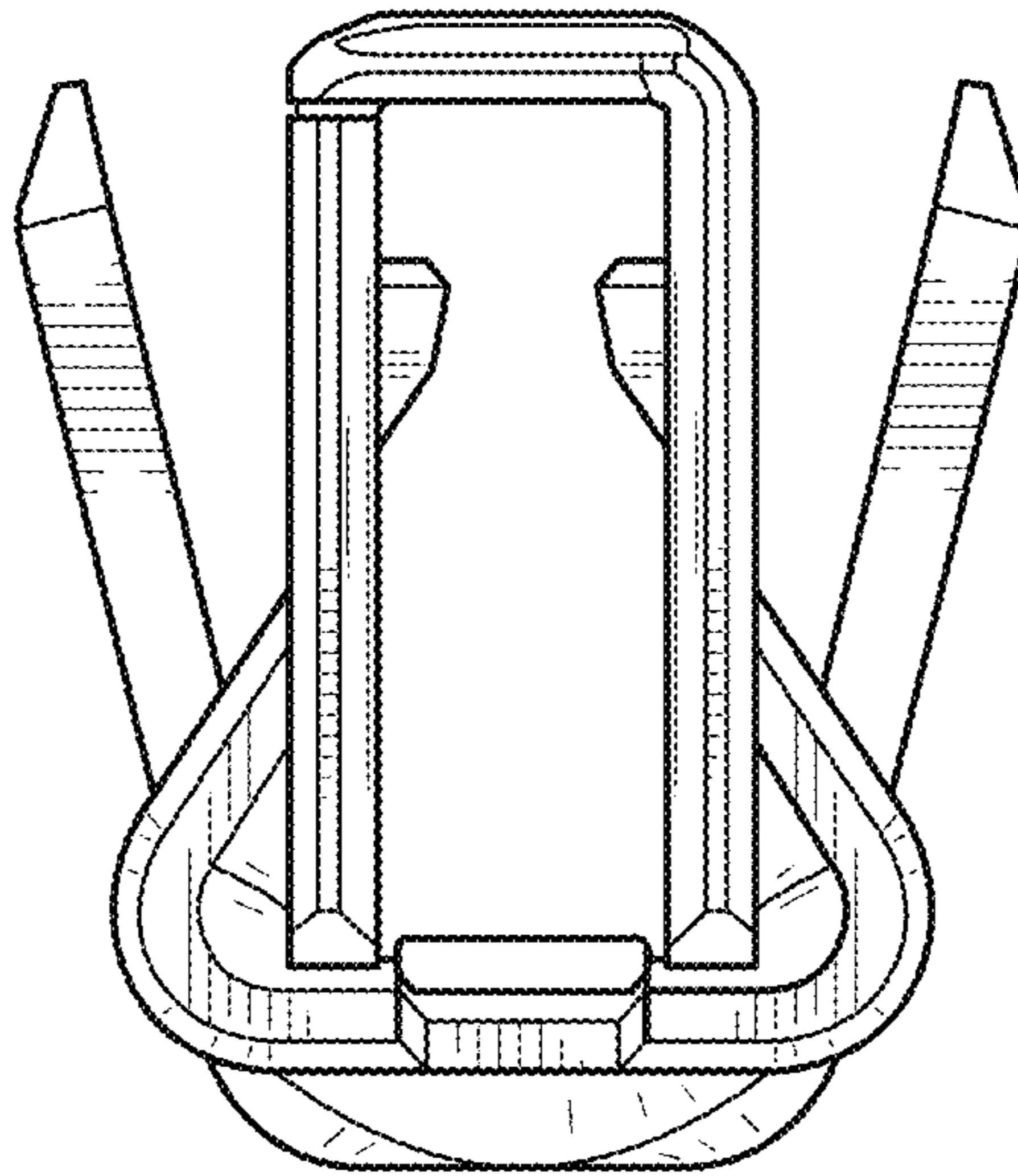


FIG. 8