



US00D781236S

(12) **United States Design Patent** (10) **Patent No.:** **US D781,236 S**
Esses (45) **Date of Patent:** **** Mar. 14, 2017**

(54) **CHARGING DEVICE** 6,612,875 B1 * 9/2003 Liao H01R 13/2421
439/638
(71) Applicant: **Premier Accessory Group LLC,** D521,486 S 5/2006 Yokoyama
Edison, NJ (US) D526,962 S * 8/2006 Krieger D13/144
D528,077 S * 9/2006 Yuen D13/144
(72) Inventor: **Alfred Esses,** Brooklyn, NY (US) D551,166 S * 9/2007 Dayan D13/110
D556,730 S 12/2007 Yokoyama
7,500,881 B1 * 3/2009 Lin H01R 31/02
(73) Assignee: **PREMIER ACCESSORY GROUP** 439/668
LLC, Edison, NJ (US) D589,889 S 4/2009 Wu et al.
(**) Term: **15 Years** (Continued)

FOREIGN PATENT DOCUMENTS

(21) Appl. No.: **29/581,116**
(22) Filed: **Oct. 17, 2016**

AU 3025195 10/2015
CA 136508 3/2011
(Continued)

Related U.S. Application Data

(63) Continuation-in-part of application No. 29/551,621,
filed on Jan. 14, 2016.
(51) **LOC (10) Cl.** **13-03**
(52) **U.S. Cl.**
USPC **D13/144**
(58) **Field of Classification Search**
USPC D13/133, 144, 107-110, 118-119, 184;
D14/251, 253, 432, 434, 155
CPC Y02E 60/12; Y02T 90/14; Y02T 90/122;
Y02T 90/128; Y02T 90/163; H02J 7/025;
H02J 7/0042; H02J 7/0044; H02J 7/0045;
H02J 7/0003; H02J 7/0054; H02J 7/0055;
H02J 7/0057; H01F 38/14; H01R
13/6675; H01R 13/70; H01R 13/71;
H01R 13/66; H01R 2201/26; H01M
2/1022; H01M 2/1055; H01M 10/44;
H01M 10/46; H01M 10/425; B60L
11/182; H05K 11/02
See application file for complete search history.

Primary Examiner — Rosemary K Tarcza
Assistant Examiner — Nathaniel D Buckner
(74) *Attorney, Agent, or Firm* — Gottlieb, Rackman &
Reisman, PC

(57) **CLAIM**

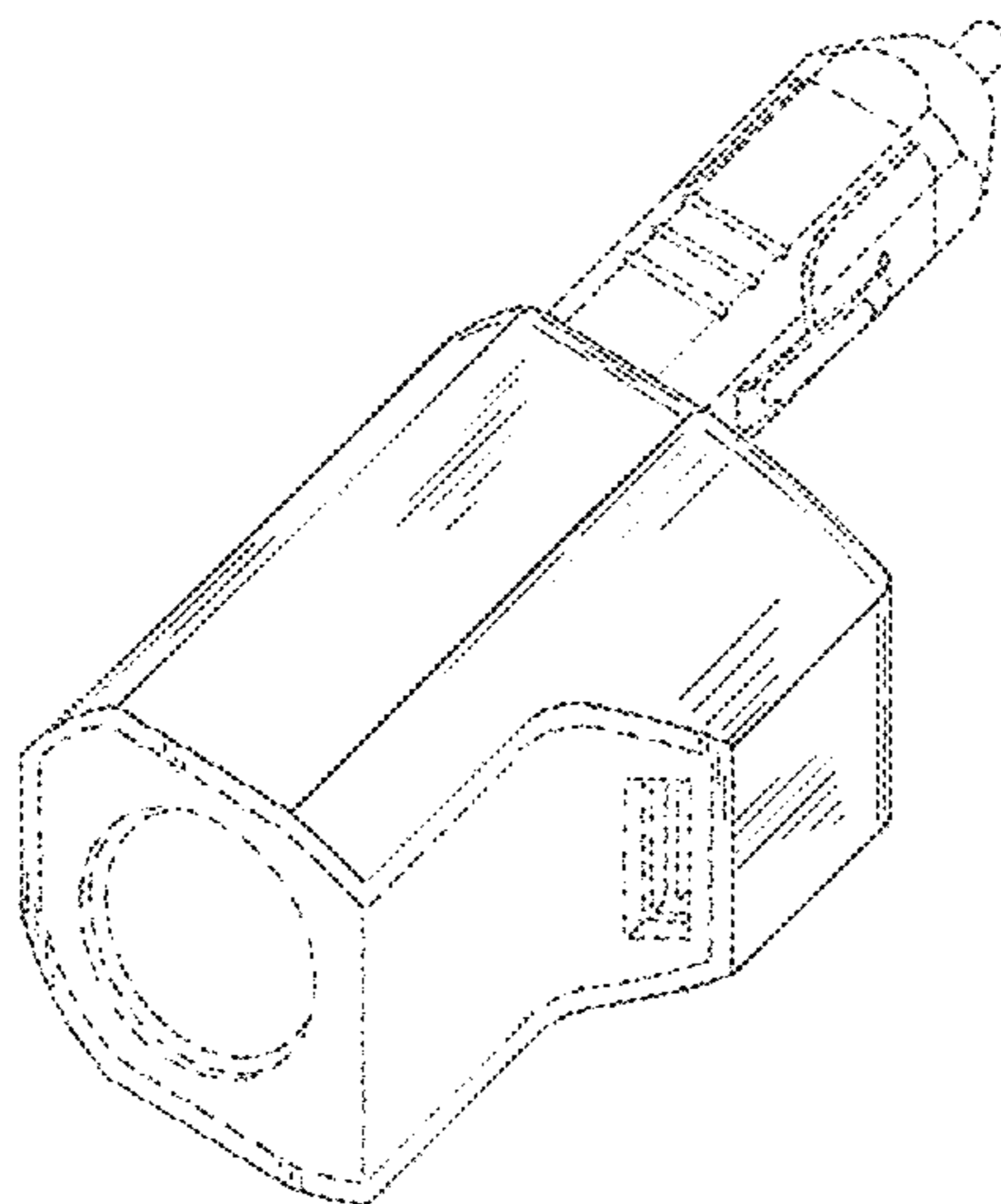
The ornamental design for a charging device, as shown and described.

DESCRIPTION

FIG. 1 is a perspective view of a charging device showing my new design;
FIG. 2 is a front view thereof;
FIG. 3 is a rear view thereof;
FIG. 4 is a top view thereof;
FIG. 5 is a bottom view thereof;
FIG. 6 is a first side view thereof; and,
FIG. 7 is a second side view thereof.
The broken lines shown in the drawings are included for the purpose of illustrating portions of the article that form no part of the claimed design.

(56) **References Cited**
U.S. PATENT DOCUMENTS
D306,574 S 3/1990 Schultz
D469,400 S 1/2003 Shor et al.

1 Claim, 4 Drawing Sheets



US D781,236 S

Page 2

(56)

References Cited

U.S. PATENT DOCUMENTS

7,544,101 B1 6/2009 Tseng
D595,684 S 7/2009 Ganley et al.
D608,284 S 1/2010 Lin
D609,183 S 2/2010 Stiff et al.
D610,094 S 2/2010 Ouimette et al.
D620,441 S * 7/2010 Hou D13/144
D627,720 S * 11/2010 DuMelle D13/110
D632,652 S 2/2011 Wikel et al.
D633,436 S * 3/2011 Griffin, Jr. D13/103
7,937,040 B2 5/2011 Dayan
D676,382 S 2/2013 McSweyn
D677,622 S 3/2013 Cole et al.
D678,206 S 3/2013 McSweyn
D700,573 S * 3/2014 Esses D13/108
D721,036 S 1/2015 Kreitzer
D721,038 S 1/2015 Chiu
D723,466 S 3/2015 Wang
D725,036 S * 3/2015 Alesi D13/110

D758,965 S * 6/2016 Jen D13/108
D769,184 S * 10/2016 Esses D13/107
2007/0155249 A1 7/2007 Cheng
2008/0032650 A1* 2/2008 Zhang H04M 1/6091
455/185.1
2009/0315513 A1 12/2009 Mkhitarian

FOREIGN PATENT DOCUMENTS

CA 148183 8/2013
EM 001228381-0011 9/2010
EM 002466201-0002 5/2014
EM 002620419-0001 3/2015
EM 002749424-0004 9/2015
FR 20115286 5/2012
FR 20125775 5/2013
GB 3025195 11/2006
HK 1202267.1 1/2013
TW D154625 7/2013
TW D154626 7/2013

* cited by examiner

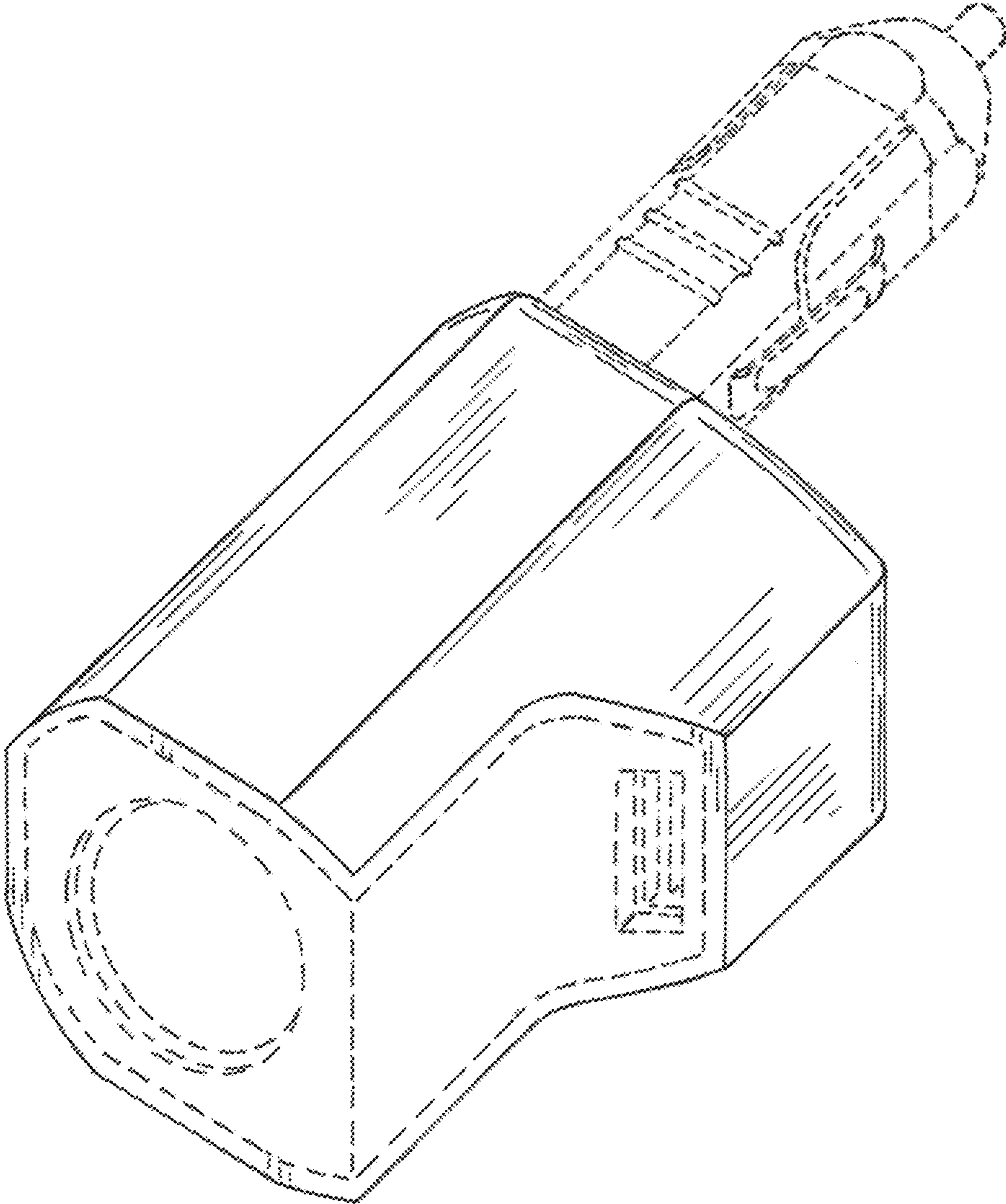


FIG. 1

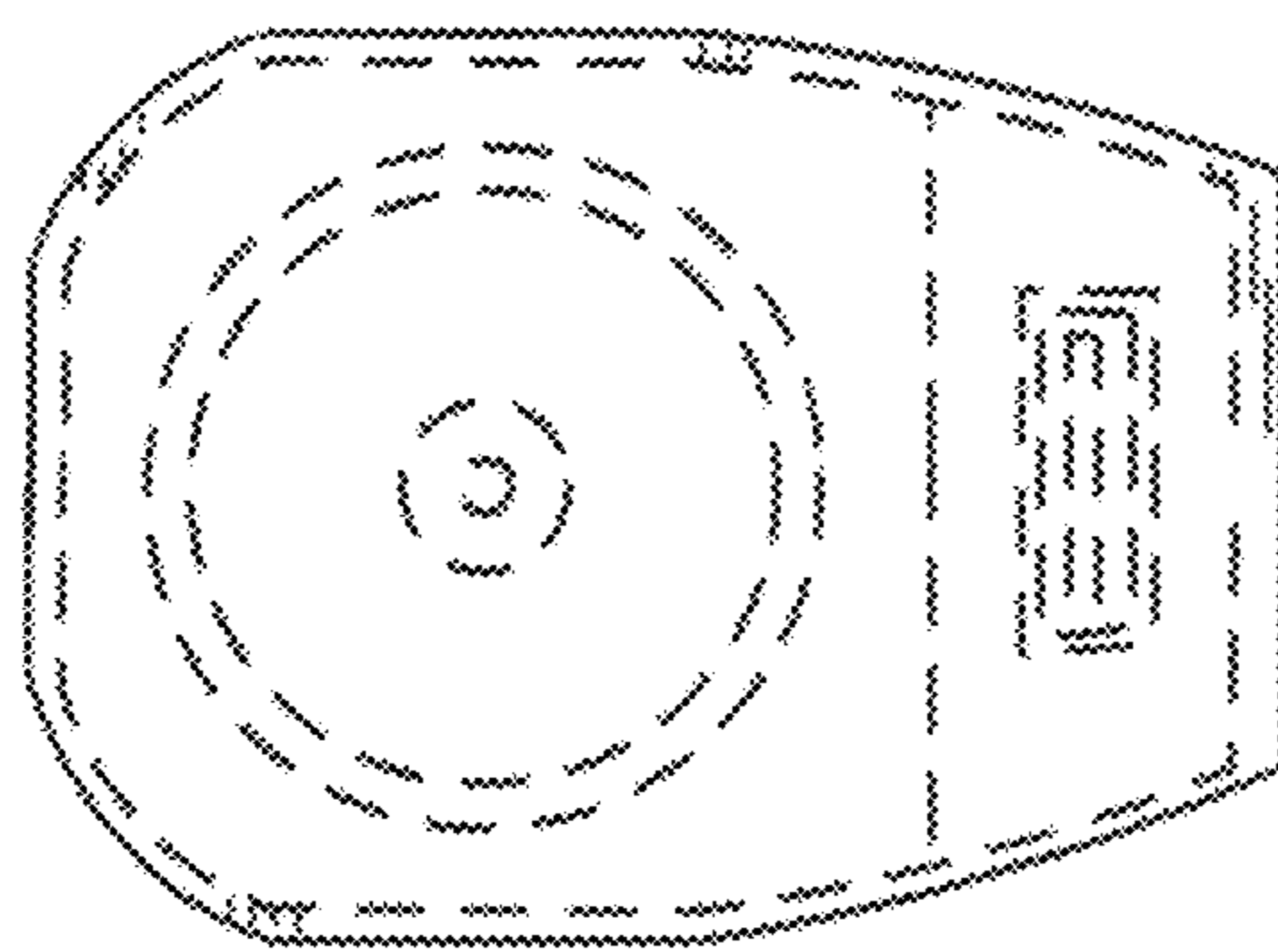


FIG. 2

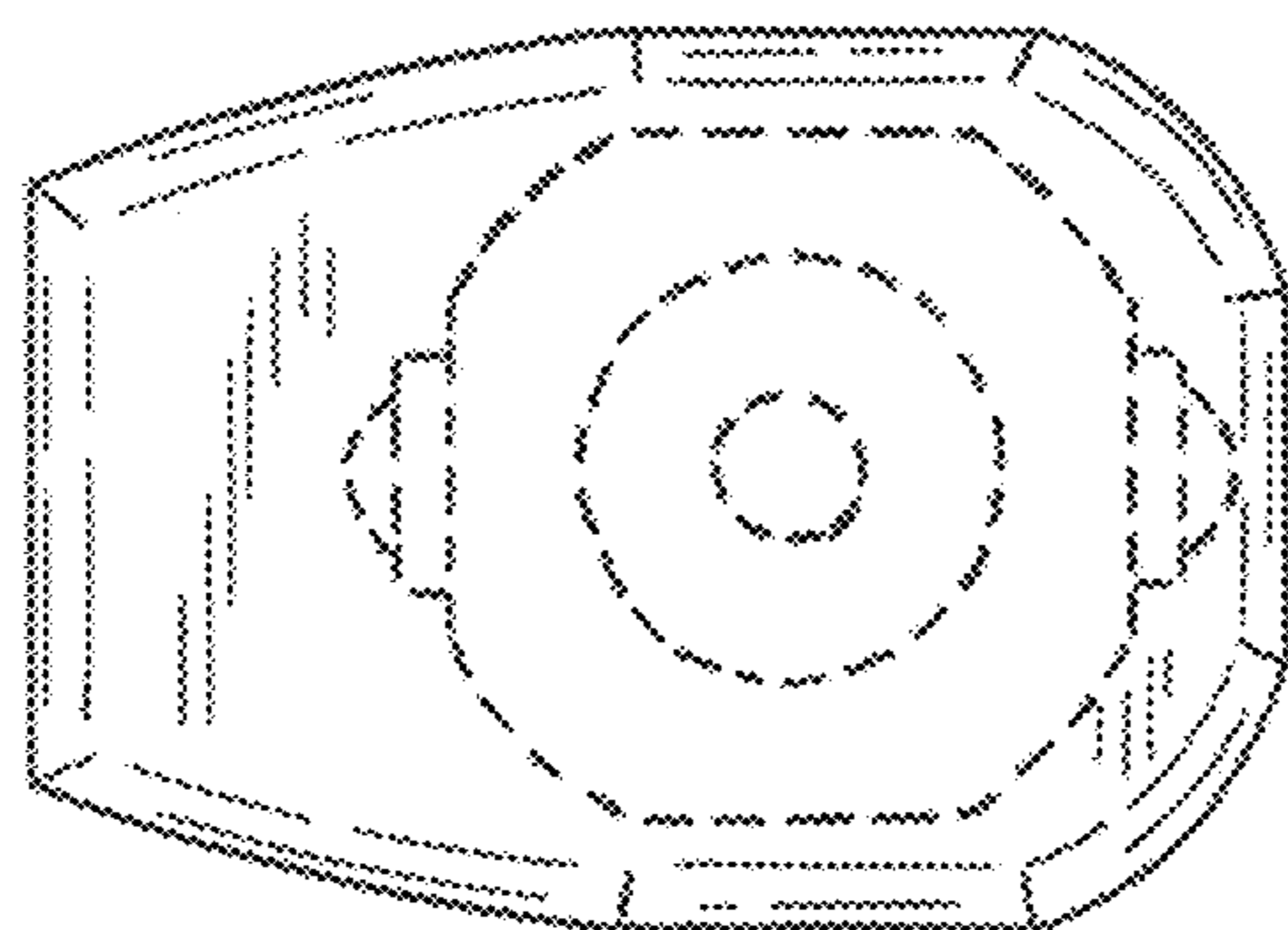


FIG. 3

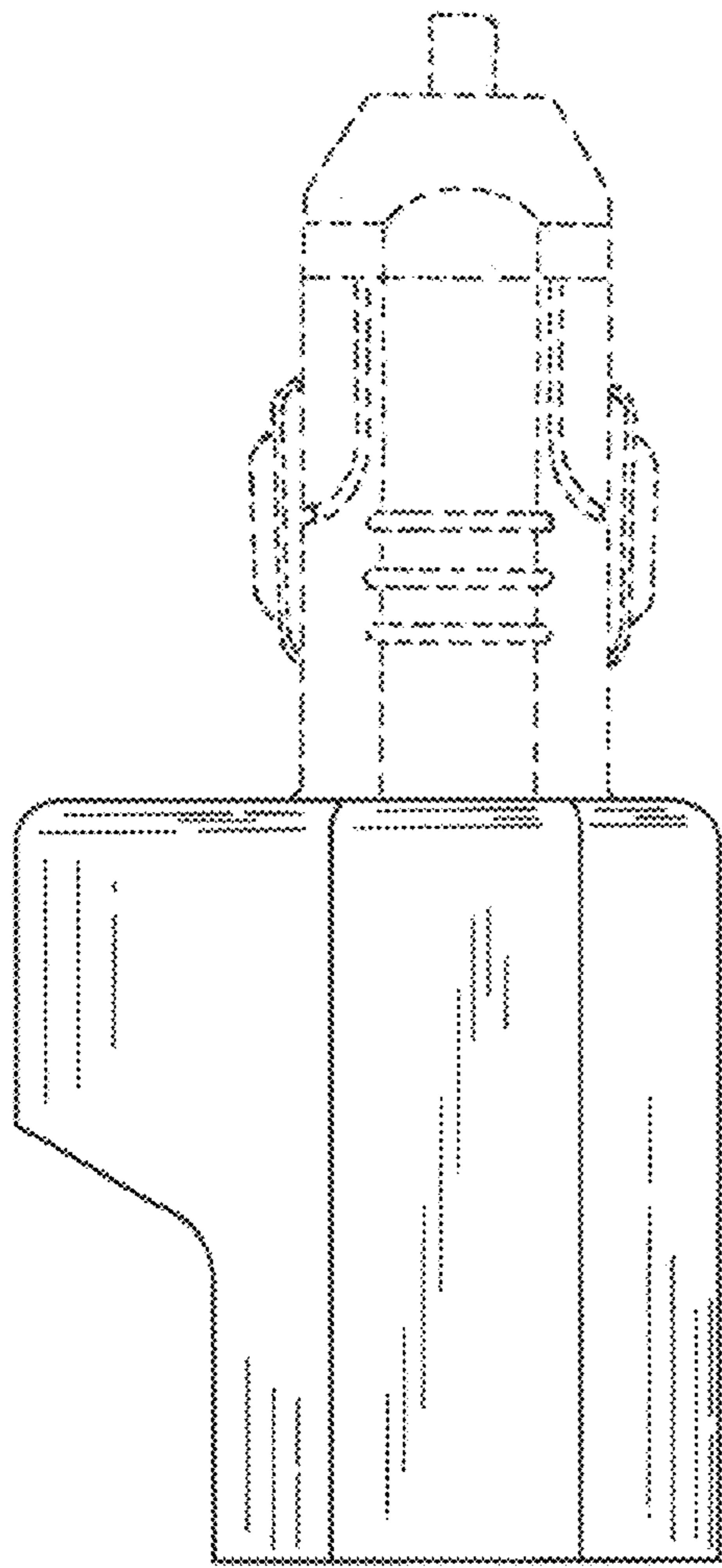


FIG. 4

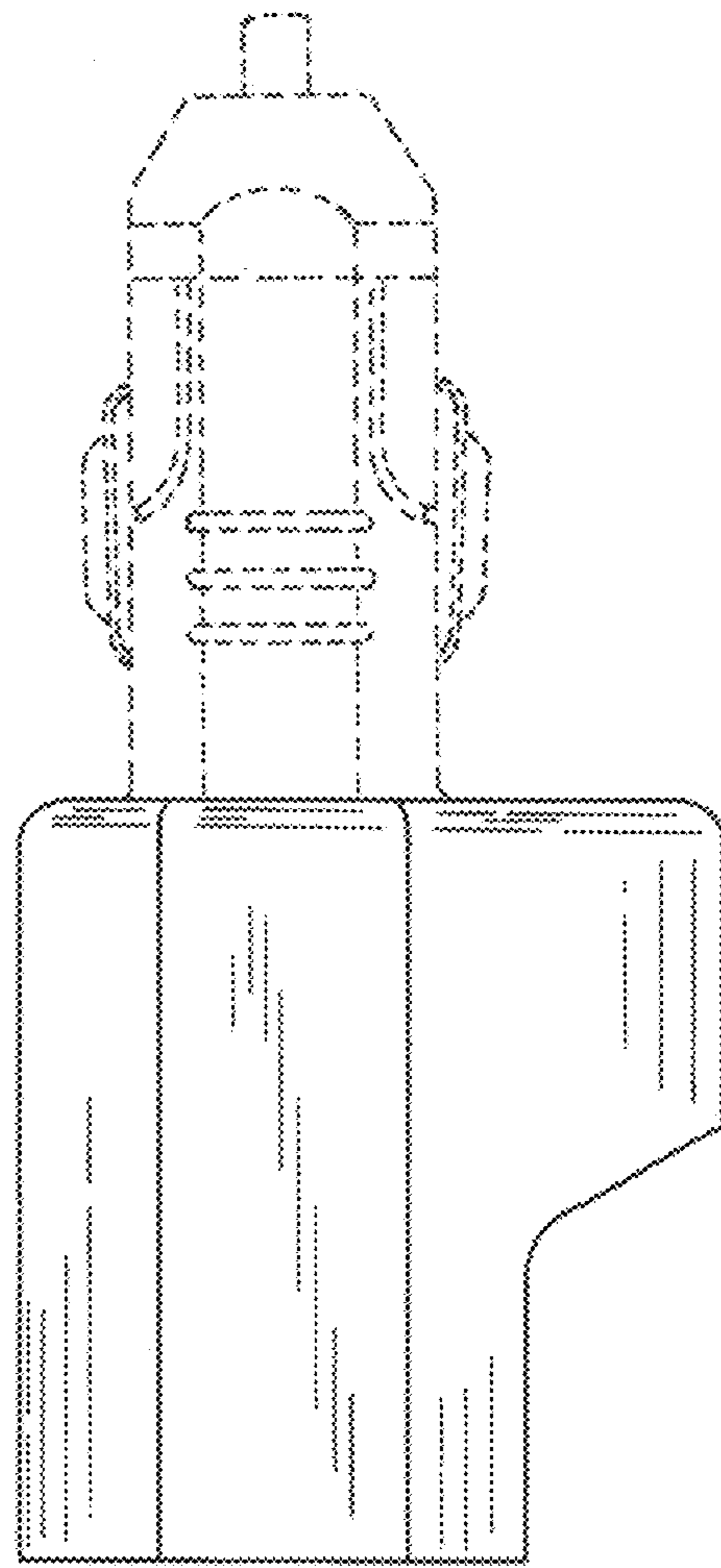


FIG. 5

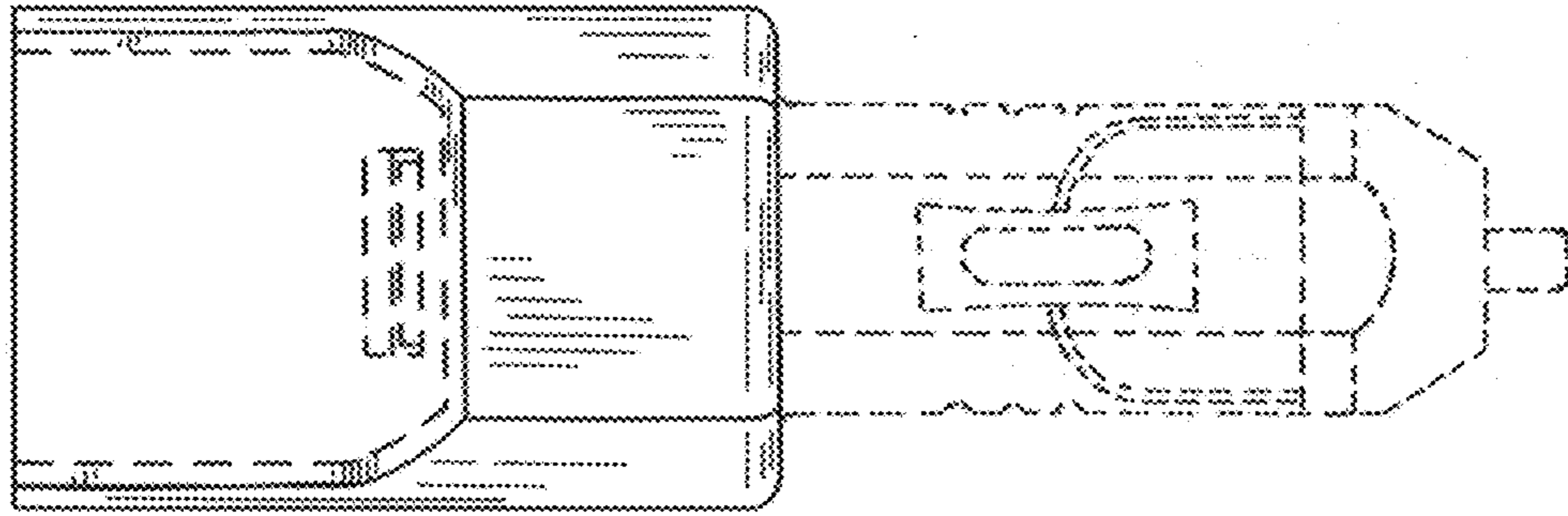


FIG. 6

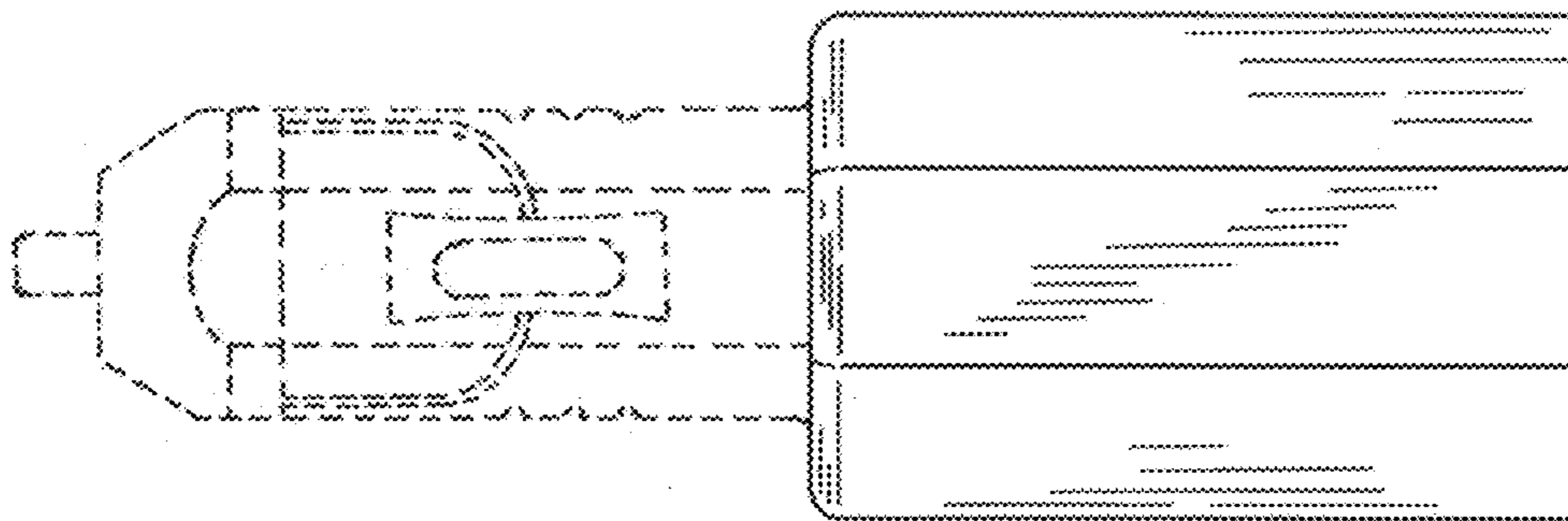


FIG. 7