



US00D781230S

(12) **United States Design Patent**
Gibson et al.

(10) **Patent No.:** **US D781,230 S**

(45) **Date of Patent:** **** Mar. 14, 2017**

(54) **DOUBLE PIN STRIPE SOLAR MODULE ARTICLE**

(71) Applicant: **SOLARIA CORPORATION**, Fremont, CA (US)

(72) Inventors: **Kevin R. Gibson**, Redwood City, CA (US); **Adam Detrick**, Fremont, CA (US)

(73) Assignee: **SOLARIA CORPORATION**, Fremont, CA (US)

(**) Term: **15 Years**

(21) Appl. No.: **29/553,307**

(22) Filed: **Jan. 29, 2016**

(51) **LOC (10) Cl.** **13-03**

(52) **U.S. Cl.**
USPC **D13/102**

(58) **Field of Classification Search**
USPC D13/101, 102, 107; 136/206, 244, 251, 136/252; 160/113; 438/72, 80
CPC H01L 31/0224; H01L 31/25; H01L 31/02167
See application file for complete search history.

(56) **References Cited**

U.S. PATENT DOCUMENTS

D543,501 S * 5/2007 Yamashita D13/102
D613,243 S * 4/2010 Burt D13/102
D644,986 S * 9/2011 Ross D13/102

D658,119 S * 4/2012 Bamberg D13/102
D688,620 S * 8/2013 Burt D13/102
D741,793 S * 10/2015 Lim D13/102
D750,556 S * 3/2016 Morad D13/102
D754,597 S * 4/2016 Osborn D13/102
D762,163 S * 7/2016 Parilla D13/102
D763,787 S * 8/2016 Parilla D13/102

* cited by examiner

Primary Examiner — Daniel Bui

Assistant Examiner — Andrew Kerr

(74) *Attorney, Agent, or Firm* — Richard T. Ogawa; Ogawa P.C.

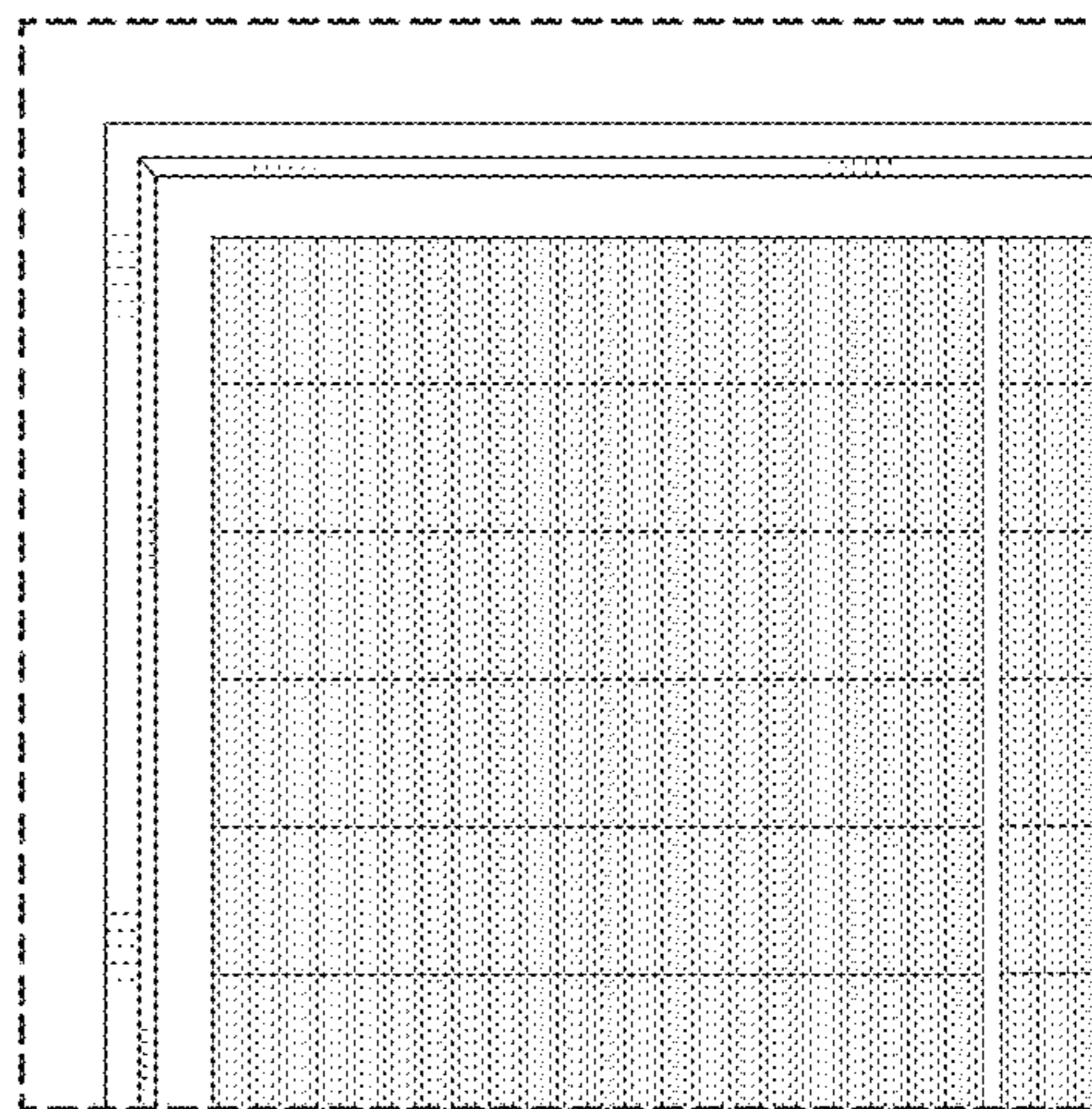
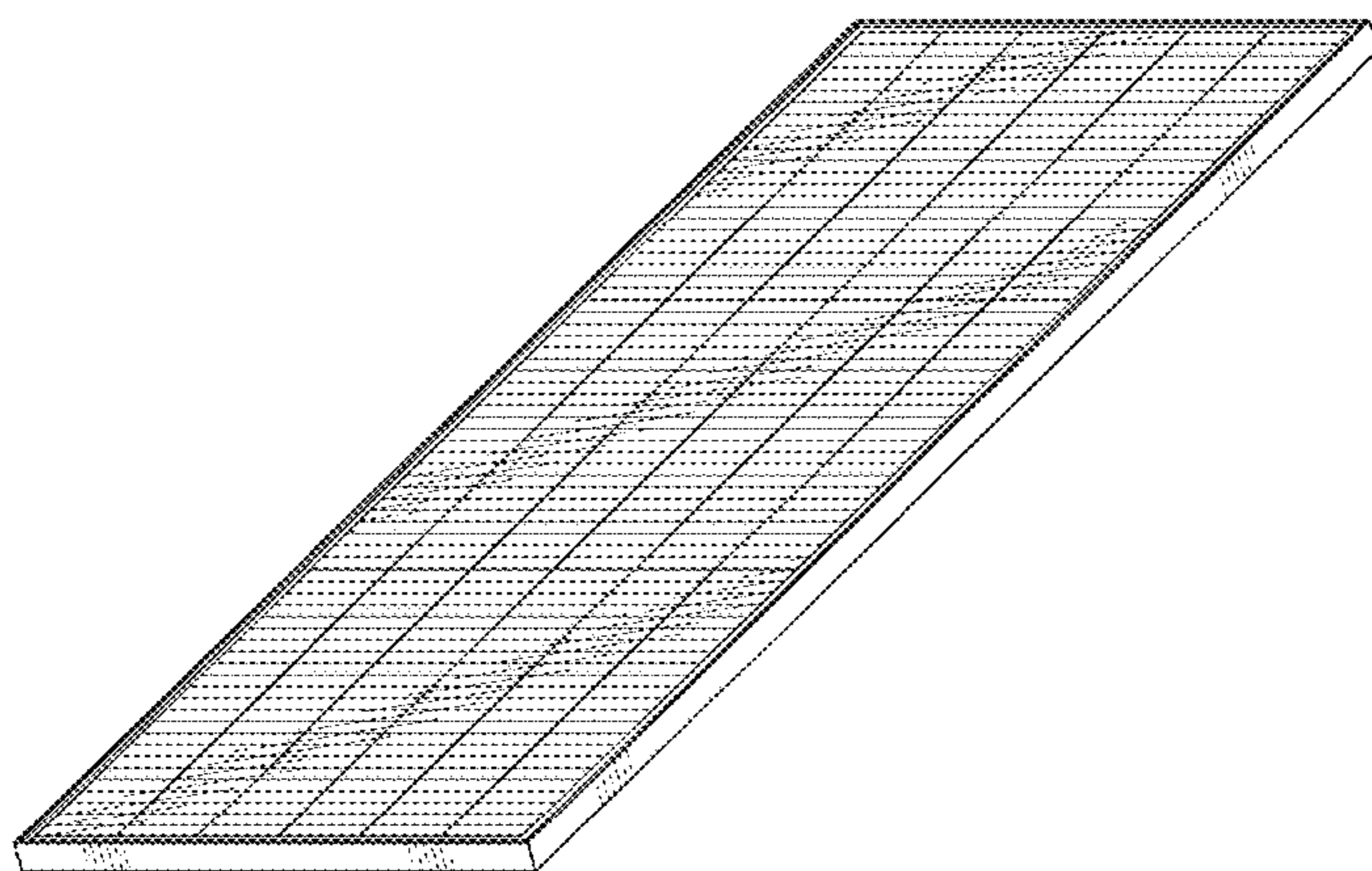
(57) **CLAIM**

The ornamental design for a double pin stripe solar module article, as shown and described.

DESCRIPTION

FIG. 1 is a perspective view of a double pin stripe solar module article showing our new design; FIG. 2 is a front elevation view thereof; FIG. 3 is a rear elevation view thereof; FIG. 4 is a top plan view thereof; FIG. 5 is a bottom plan view thereof; FIG. 6 is a side elevation view thereof; FIG. 7 is another side elevation view thereof; and, FIG. 8 is an enlarged view of area 8 of FIG. 2 thereof. The broken line in the figure drawings is included for the purpose of illustrating unclaimed environment and forms no part of the claimed design.

1 Claim, 6 Drawing Sheets



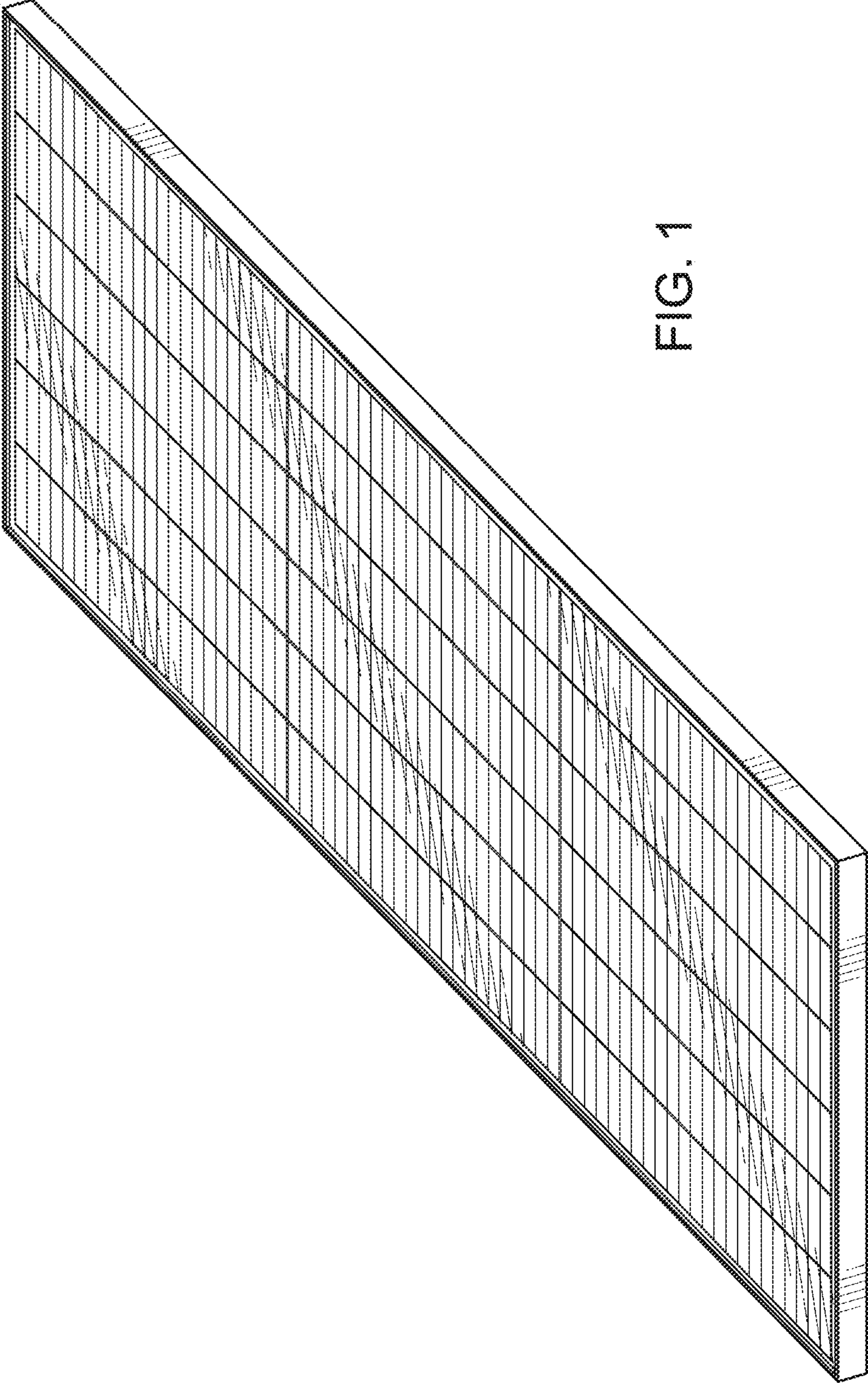


FIG. 1

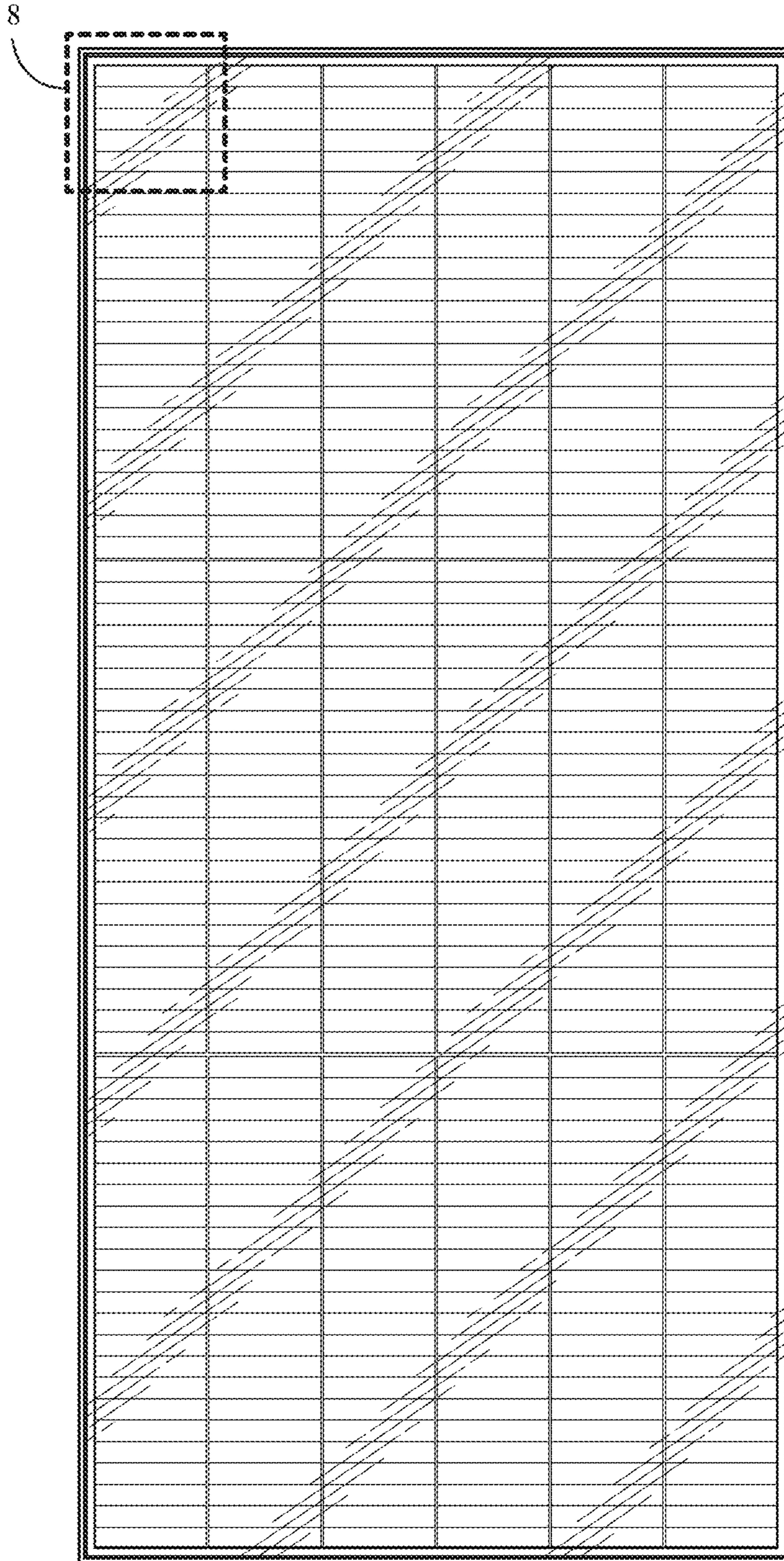


FIG. 2

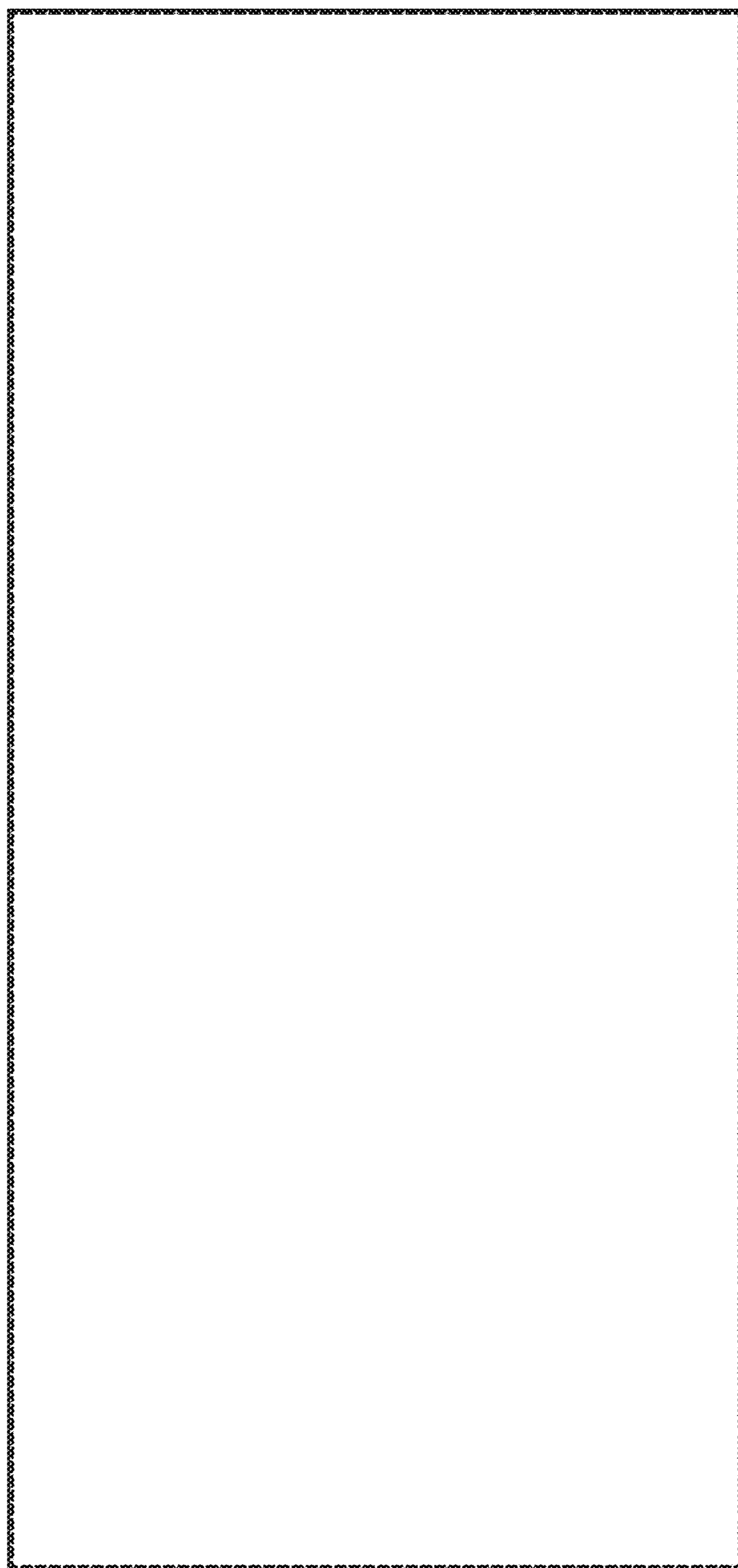


FIG. 3



FIG. 4



FIG. 5



FIG. 6



FIG. 7

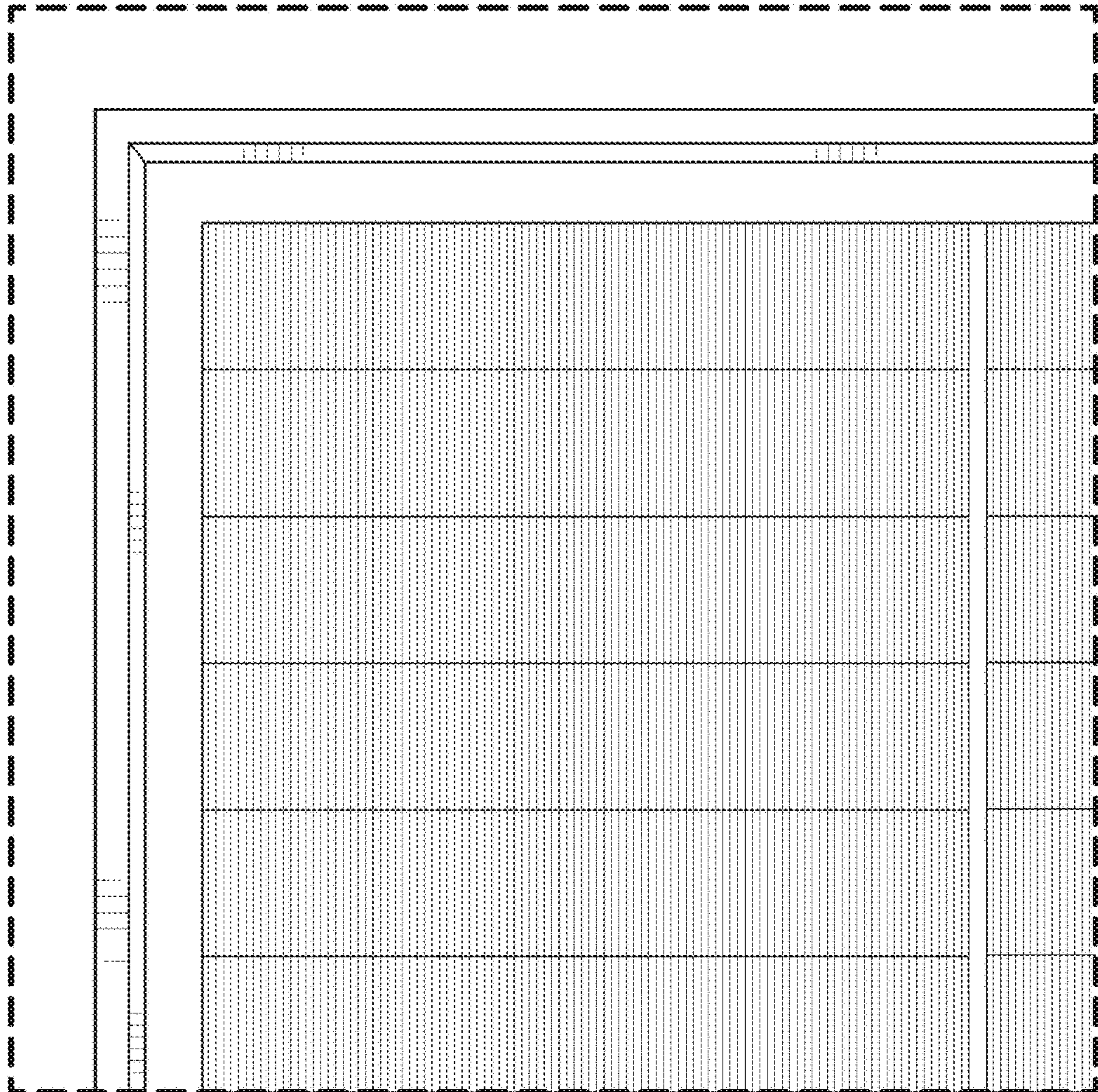


FIG. 8