



US00D781229S

(12) **United States Design Patent** (10) **Patent No.:** **US D781,229 S**
Krantz et al. (45) **Date of Patent:** **** Mar. 14, 2017**

(54) **SOLAR PANEL ASSEMBLY**

(71) Applicant: **Goal Zero LLC**, Bluffdale, UT (US)
(72) Inventors: **Norman L. Krantz**, Draper, UT (US);
Richard Evans, Bluffdale, UT (US)
(73) Assignee: **GOAL ZERO LLC**, Bluffdale, UT (US)
(**) Term: **15 Years**

(21) Appl. No.: **29/550,562**

(22) Filed: **Jan. 5, 2016**

(51) **LOC (10) Cl.** **13-02**

(52) **U.S. Cl.**
USPC **D13/102**

(58) **Field of Classification Search**
USPC D13/101, 184; 108/25, 28; 136/244, 245,
136/252; 320/101
CPC H01L 31/042; H01L 31/0445; H01L
31/0475; H02S 30/20; H02S 30/00; H02S
40/00; H02S 40/22; H02S 40/38
See application file for complete search history.

(56) **References Cited**

U.S. PATENT DOCUMENTS

D599,286 S *	9/2009	Horito	D13/102
D607,813 S *	1/2010	Zhu	D13/102
D625,251 S	10/2010	Workman et al.		
D684,112 S *	6/2013	Fallon	D13/102
9,249,995 B2	2/2016	Krantz et al.		
2011/0290307 A1	12/2011	Workman et al.		
2015/0288319 A1 *	10/2015	Hartman	H02S 10/40 136/245
2015/0320196 A1 *	11/2015	Polizzi	A47B 5/04 320/101

OTHER PUBLICATIONS

Solar Panel Assembly | Goal Zero | posted at Goalzero.com © 2016 Goalzero.com, [online], [site visited Sep. 19, 2016]. Available from Internet, <URL: <http://www.goalzero.com/p/347/nomad-7-plus-solar-panel>>.*
U.S. Appl. No. 12/983,677, filed Jan. 3, 2011, Workman et al.
U.S. Appl. No. 29/535,211, filed Aug. 4, 2015, Krantz et al.
U.S. Appl. No. 61/262,796, filed Nov. 19, 2009, Workman et al.
U.S. Appl. No. 61/335,463, filed Jan. 6, 2010, Workman et al.
U.S. Appl. No. 61/350,364, filed Jun. 1, 2010, Workman et al.
U.S. Appl. No. 61/734,050, filed Dec. 6, 2012, Norman et al.

* cited by examiner

Primary Examiner — Daniel Bui

Assistant Examiner — Andrew Kerr

(74) *Attorney, Agent, or Firm* — Foley & Lardner LLP

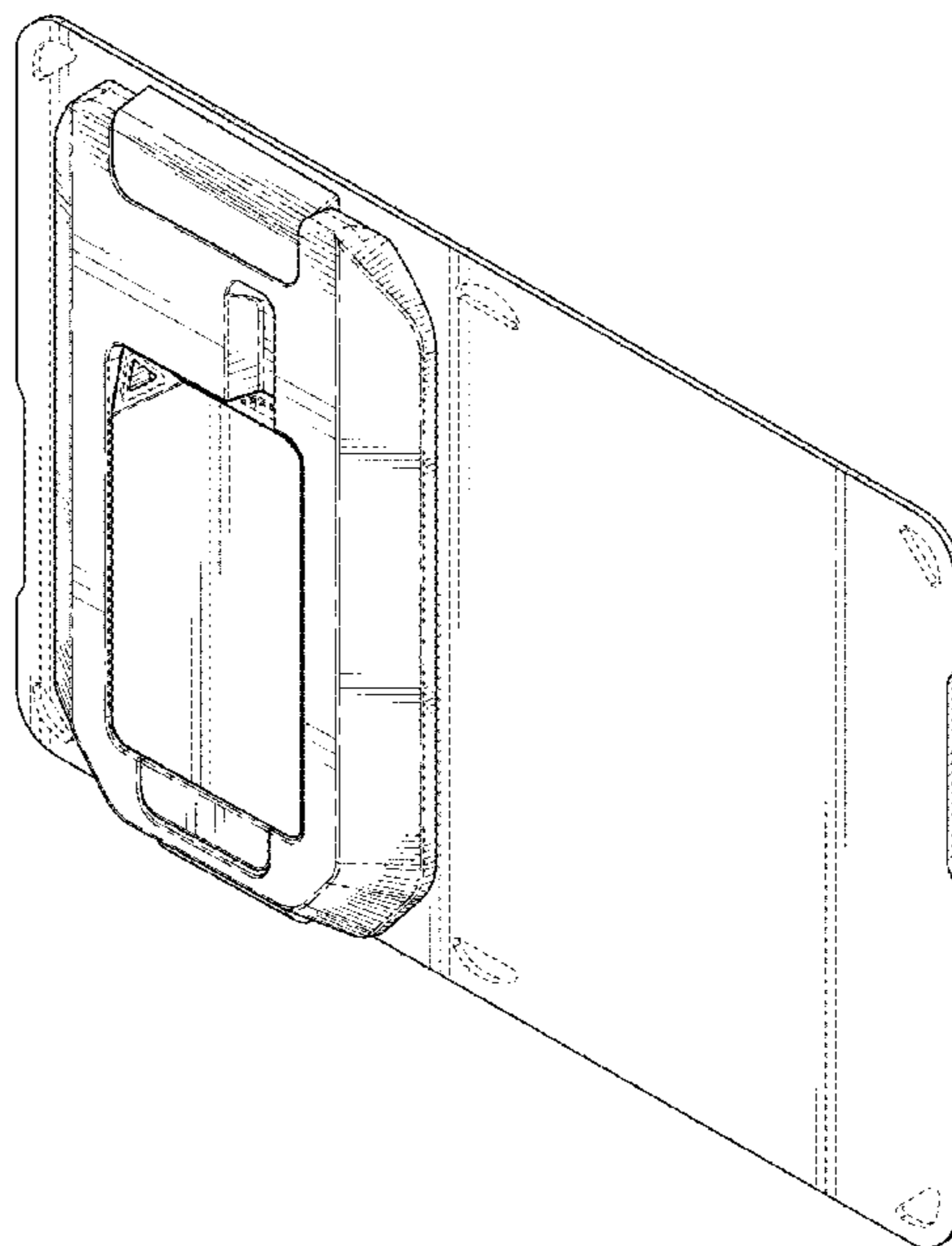
(57) **CLAIM**

We claim the ornamental design for a solar panel assembly, as shown and described.

DESCRIPTION

FIG. 1 is a rear perspective view of a solar panel assembly showing our new invention;
FIG. 2 is a rear elevation view thereof;
FIG. 3 is a front elevation view thereof;
FIG. 4 is a left side elevation view thereof;
FIG. 5 is a right side elevation view thereof;
FIG. 6 is a top plan view thereof; and,
FIG. 7 is a bottom plan view thereof.
The broken line in the figure drawings is included for the purpose of illustrating unclaimed environment and forms no part of the claimed design.

1 Claim, 5 Drawing Sheets



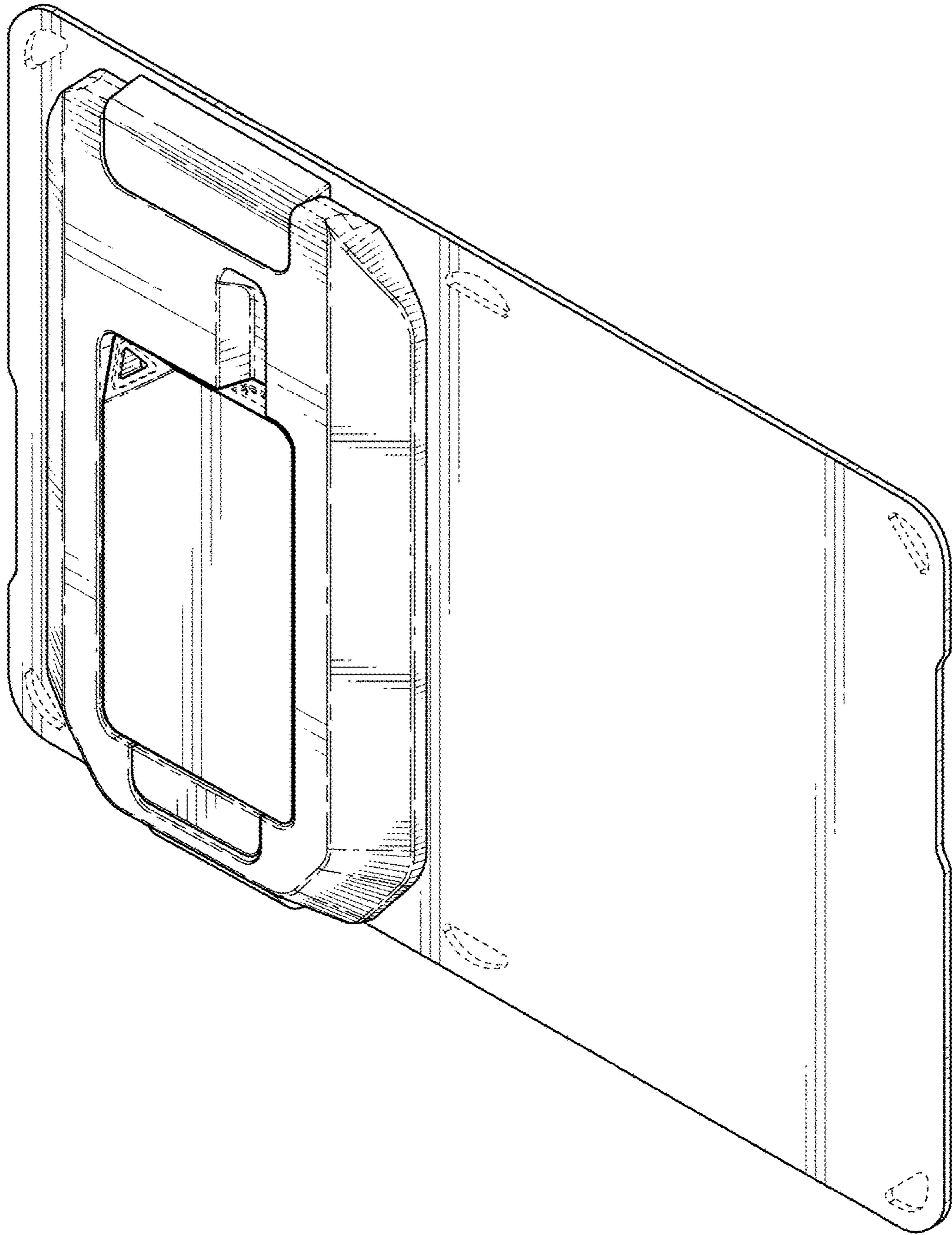


FIG. 1

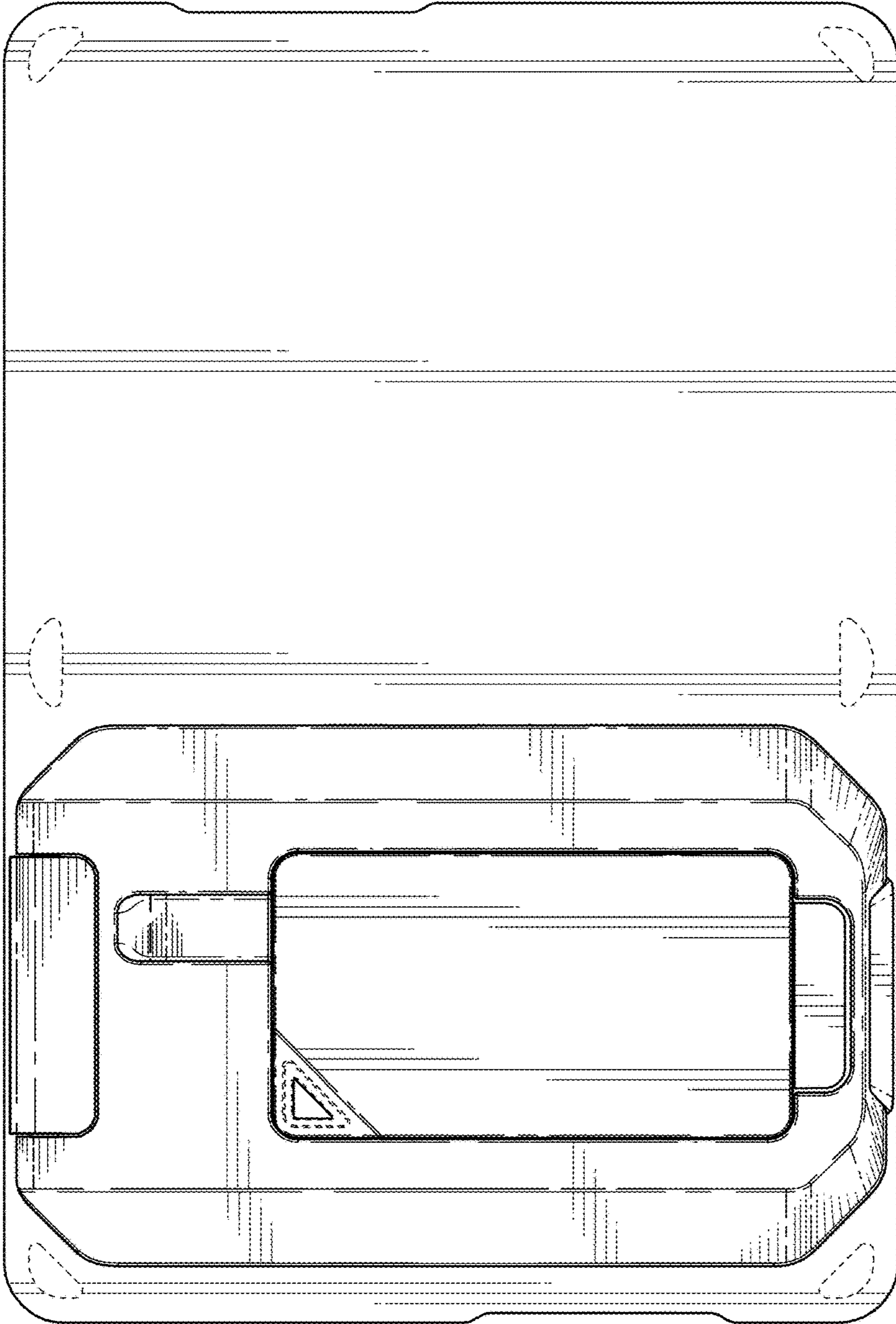


FIG. 2

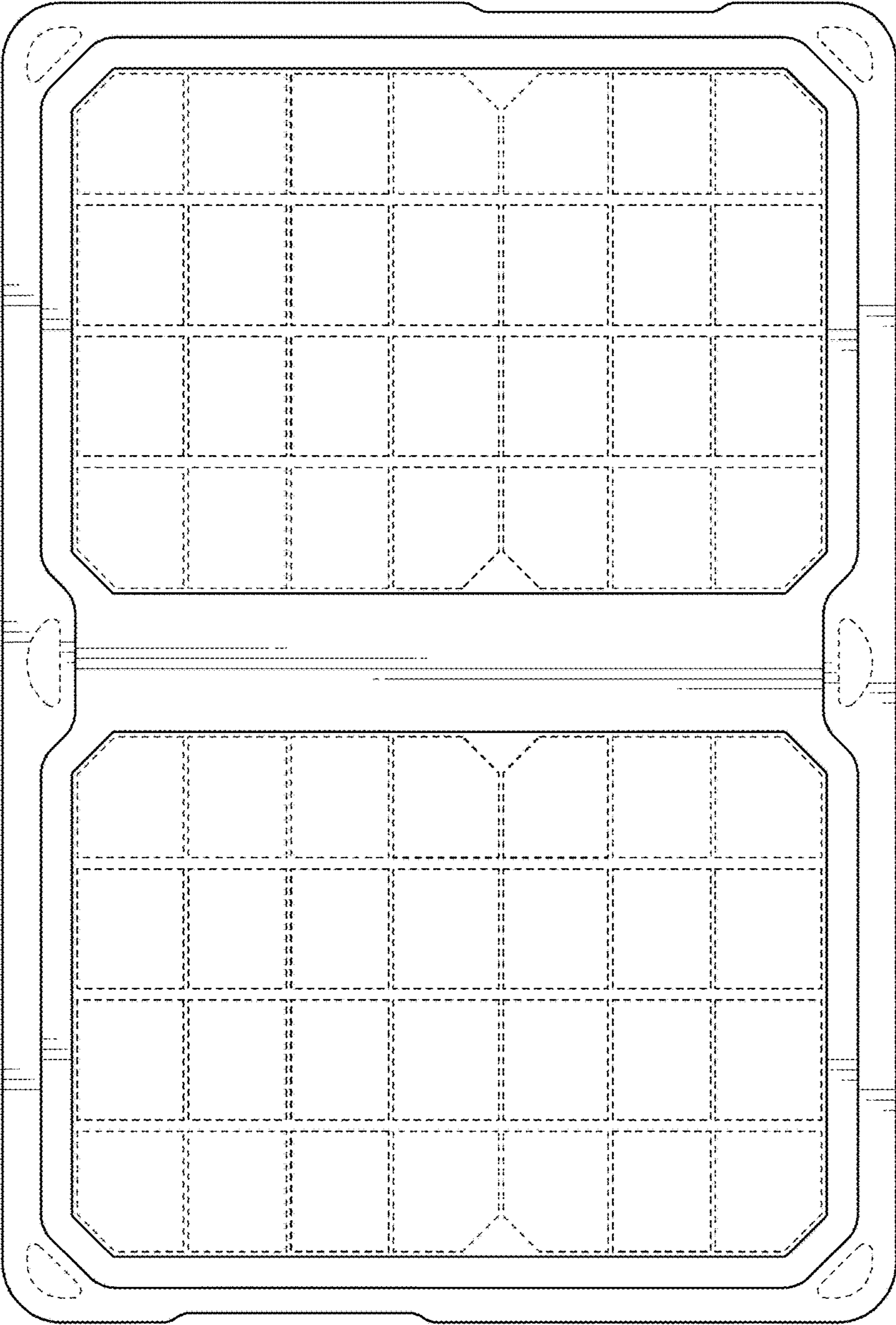


FIG. 3

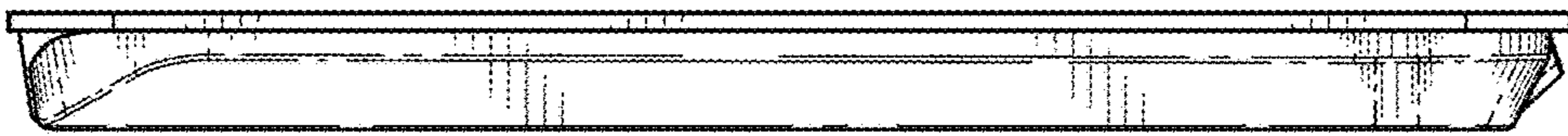


FIG. 5

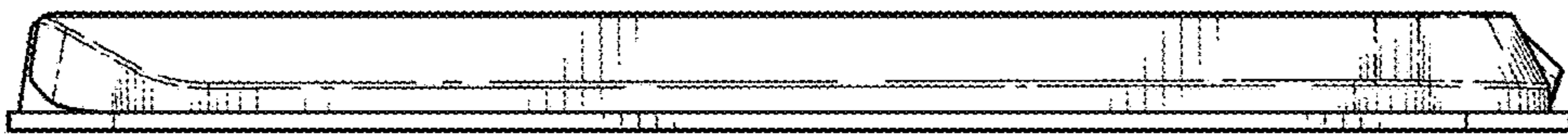


FIG. 4

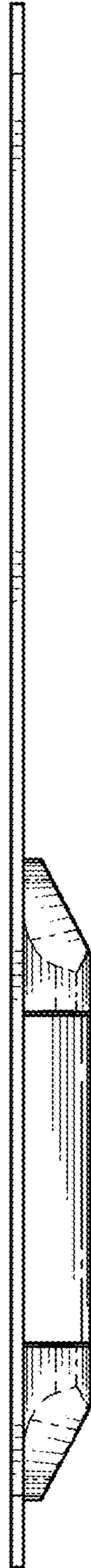


FIG. 6



FIG. 7