



US00D781228S

(12) **United States Design Patent**
Armstrong et al.

(10) **Patent No.:** **US D781,228 S**
(45) **Date of Patent:** **** Mar. 14, 2017**

(54) **POCKET-SIZED PHOTOVOLTAIC-BASED
FULLY INTEGRATED PORTABLE POWER
SYSTEM**

(71) Applicant: **Ascent Solar Technologies, Inc.**,
Thornton, CO (US)

(72) Inventors: **Joseph H. Armstrong**, Littleton, CO
(US); **Stephanie Persha Retureta**,
Highlands Ranch, CO (US)

(73) Assignee: **ASCENT SOLAR TECHNOLOGIES,
INC.**, Thornton, CO (US)

(**) Term: **15 Years**

(21) Appl. No.: **29/550,427**

(22) Filed: **Jan. 4, 2016**

(51) **LOC (10) Cl.** **13-02**

(52) **U.S. Cl.**
USPC **D13/102**

(58) **Field of Classification Search**

None

See application file for complete search history.

(56) **References Cited**

U.S. PATENT DOCUMENTS

D663,261 S * 7/2012 Cheung D13/102
D677,619 S * 3/2013 Truthseeker D13/102
D751,032 S * 3/2016 Anderson D13/102

(Continued)

Primary Examiner — Daniel Bui

Assistant Examiner — Andrew Kerr

(74) *Attorney, Agent, or Firm* — Lathrop & Gage LLP

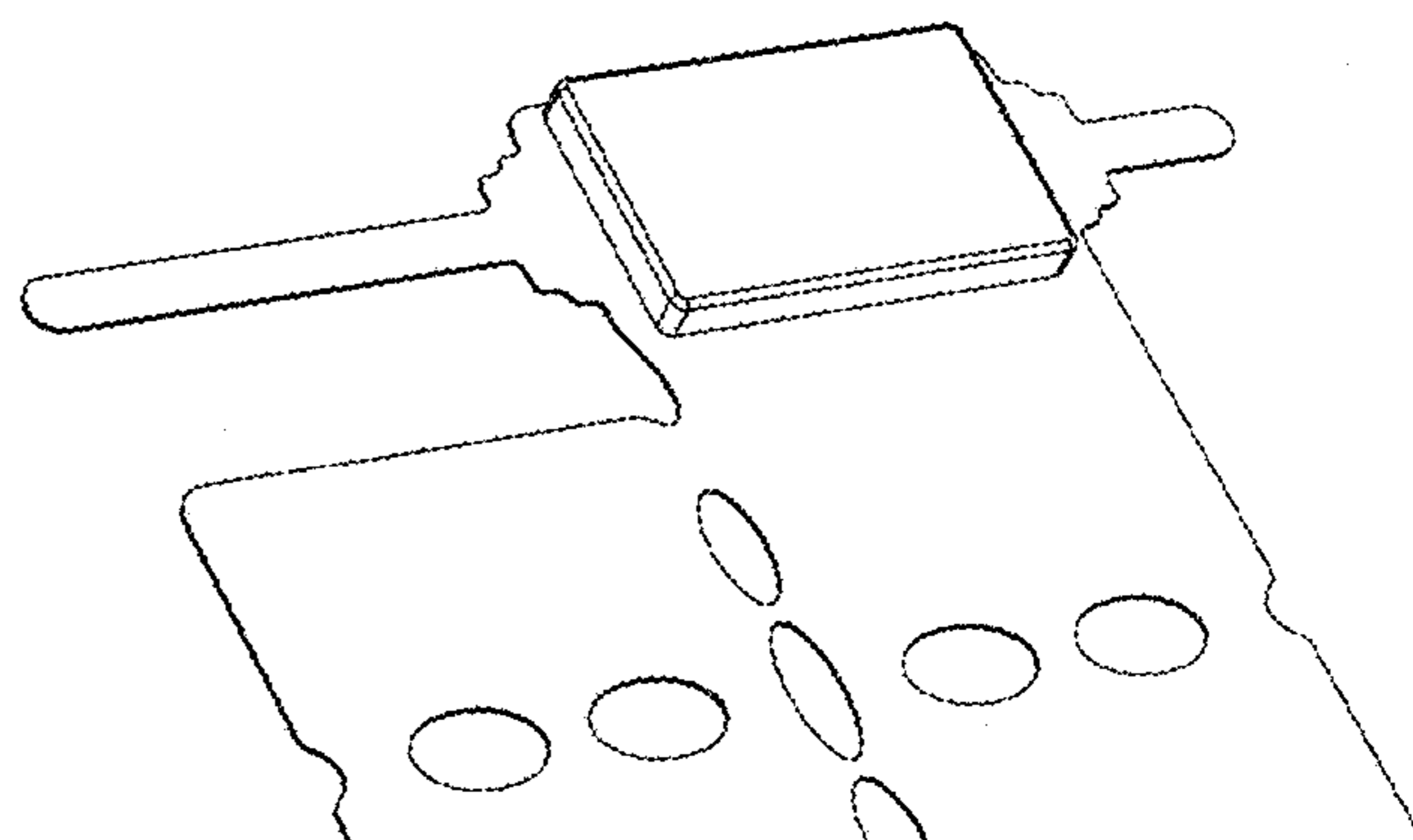
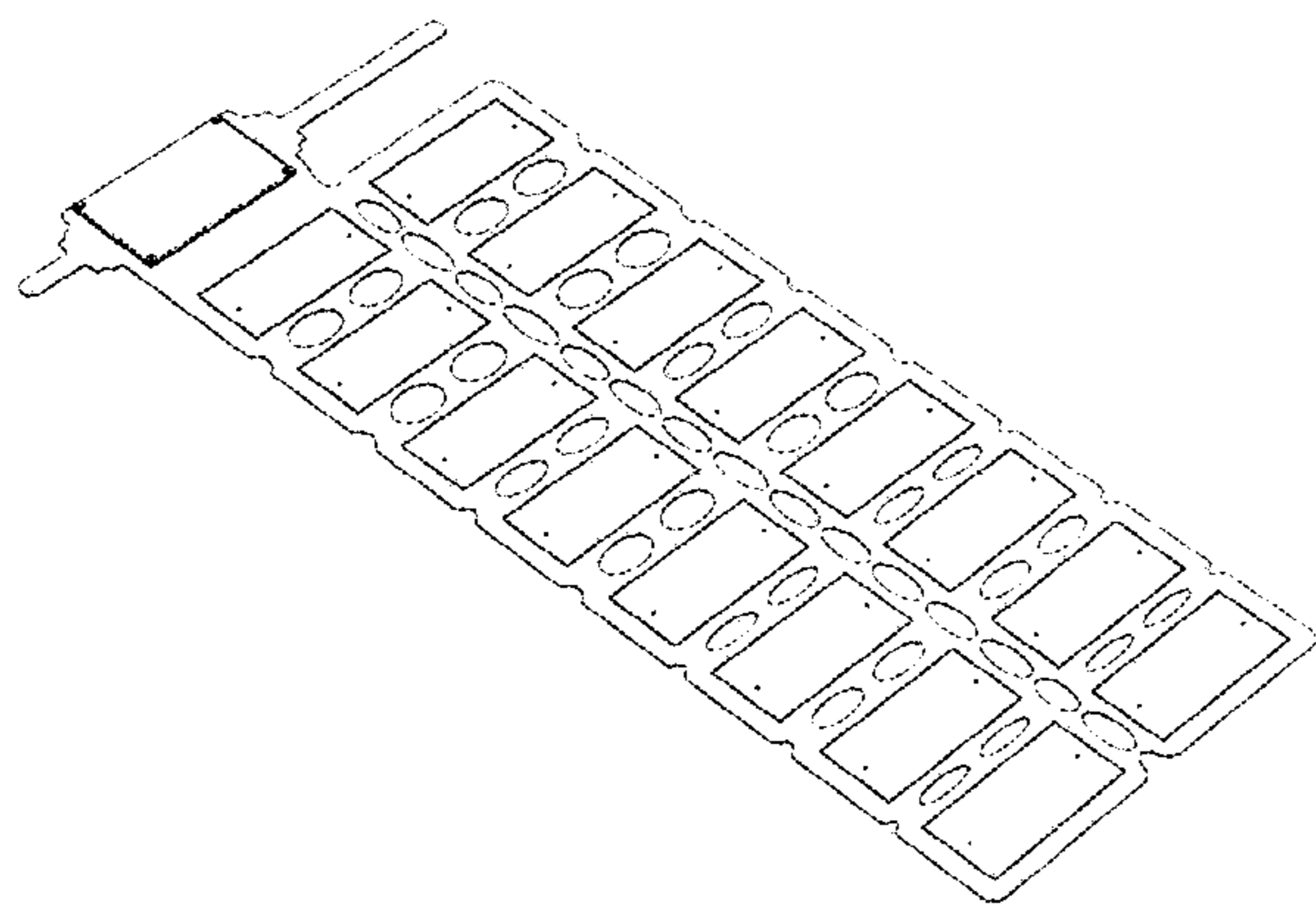
(57) **CLAIM**

The ornamental design for a pocket-sized photovoltaic-based fully integrated portable power system, as shown and described.

DESCRIPTION

FIG. 1 is a top, front and left perspective view of a pocket-sized photovoltaic-based fully integrated portable power system showing our new design; FIG. 2 is a top, front and right perspective view thereof; FIG. 3 is a top plan view thereof; FIG. 4 is a bottom plan view thereof; FIG. 5 is a left side elevational view thereof; FIG. 6 is a right side elevational view thereof; FIG. 7 is a rear elevational view thereof on an enlarged scale; FIG. 8 is a front elevational view thereof on an enlarged scale; FIG. 9 is a portion of a bottom and right side perspective view thereof on an enlarged scale; FIG. 10 is a portion of a top and left side perspective view thereof on an enlarged scale; FIG. 11 is a portion of a bottom and left side perspective view thereof on an enlarged scale; FIG. 12 is a portion of a bottom and rear perspective view thereof on an enlarged scale; FIG. 13 is a portion of a bottom and left perspective view thereof on an enlarged scale; FIG. 14 is a portion of a bottom perspective view thereof on an enlarged scale; FIG. 15 is a portion of a bottom and right perspective view thereof on an enlarged scale; FIG. 16 is a portion of a bottom plan view thereof on an enlarged scale; FIG. 17 is a portion of a left side elevational view thereof on an enlarged scale; and, FIG. 18 is a portion of a right side elevational view thereof on an enlarged scale.

1 Claim, 14 Drawing Sheets



(56)

References Cited

U.S. PATENT DOCUMENTS

2015/0180407 A1* 6/2015 Mun H01L 31/05
136/244
2016/0173026 A1* 6/2016 Goei H01L 31/048
136/245

* cited by examiner

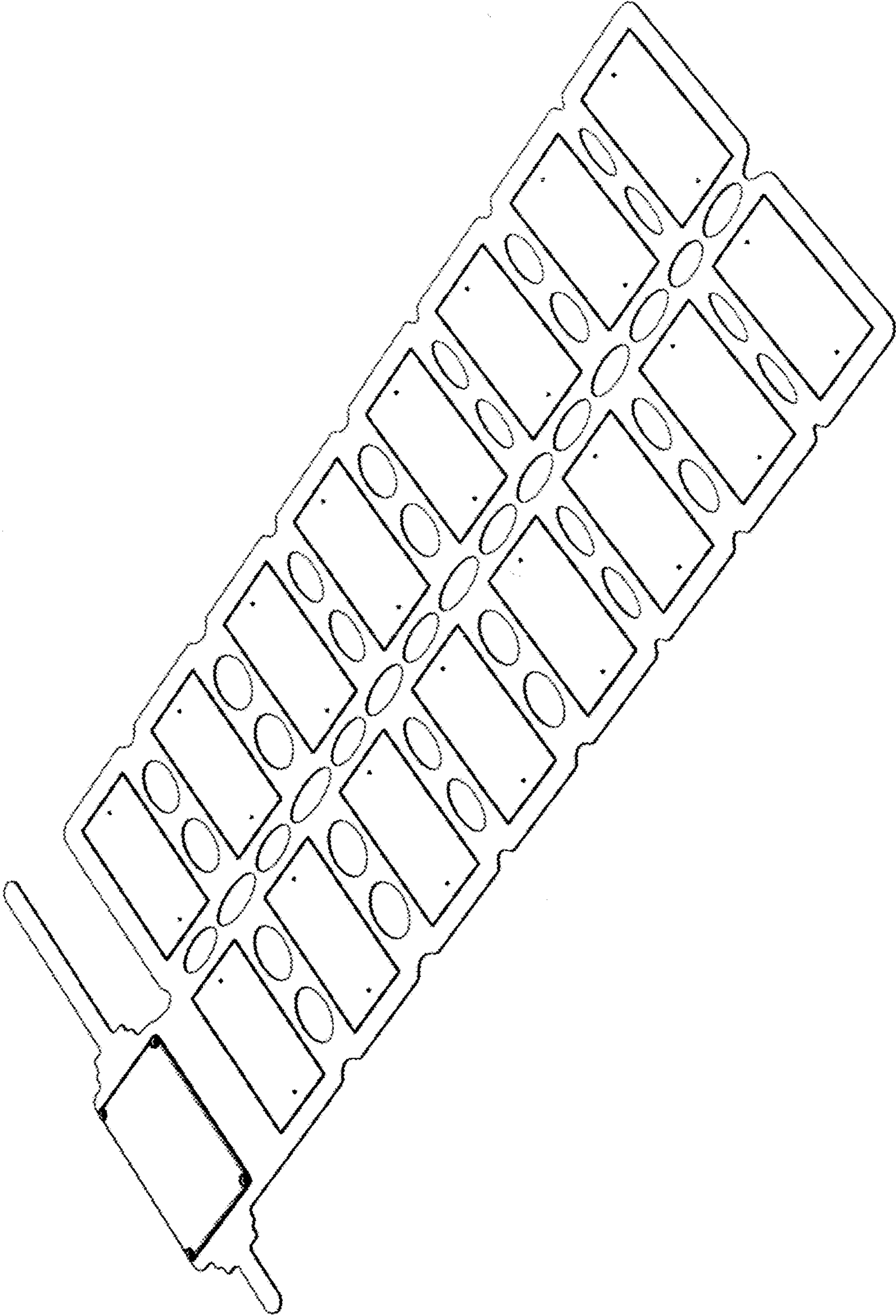


FIG. 1

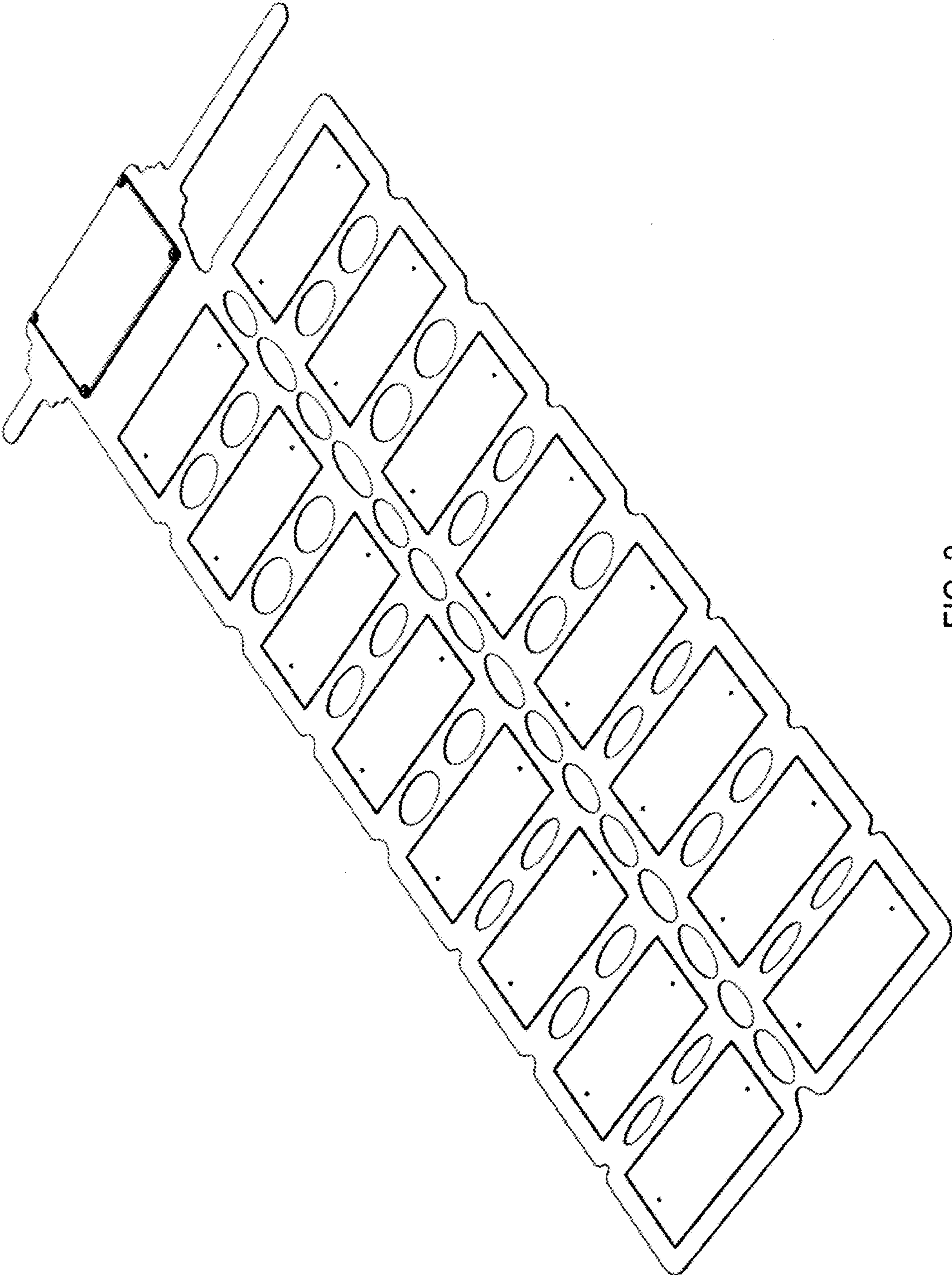


FIG. 2

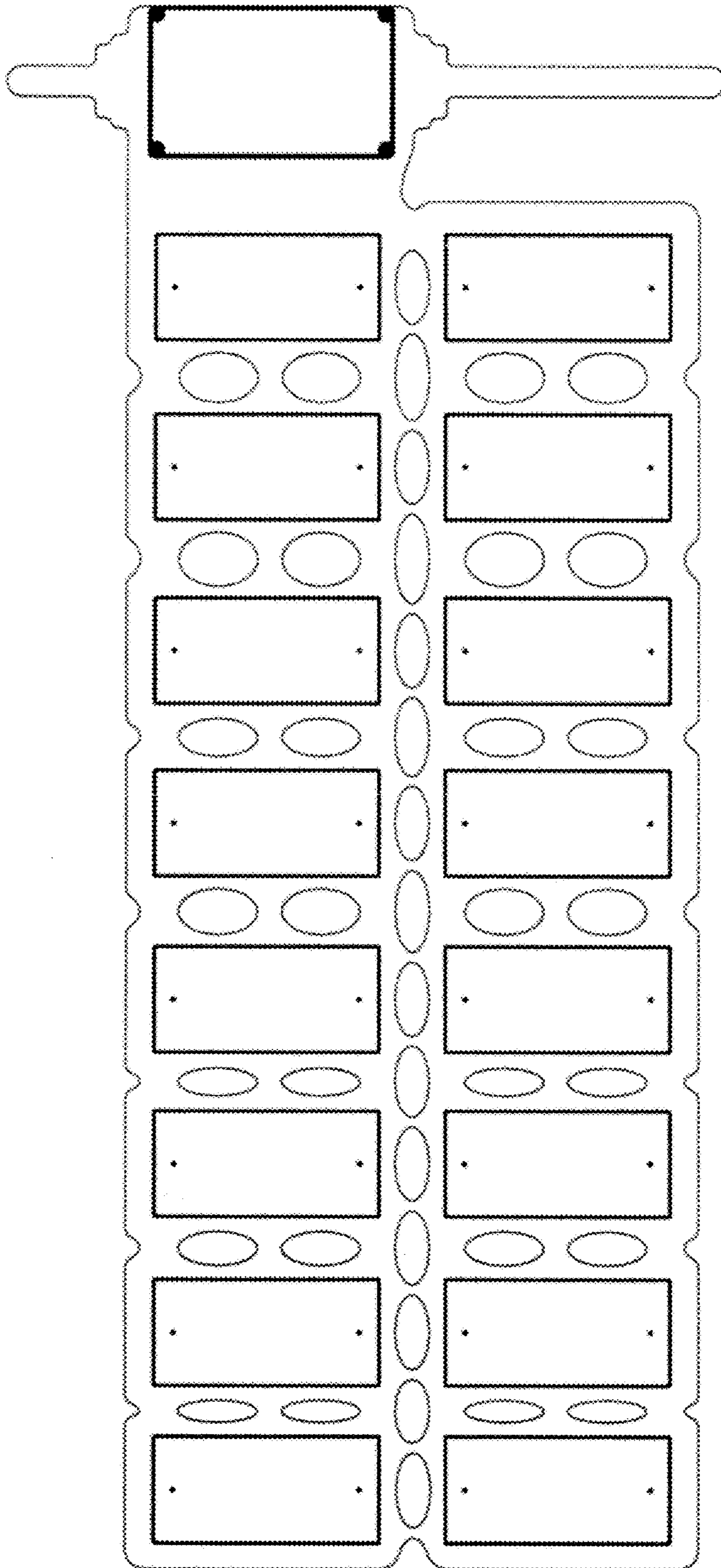


FIG. 3

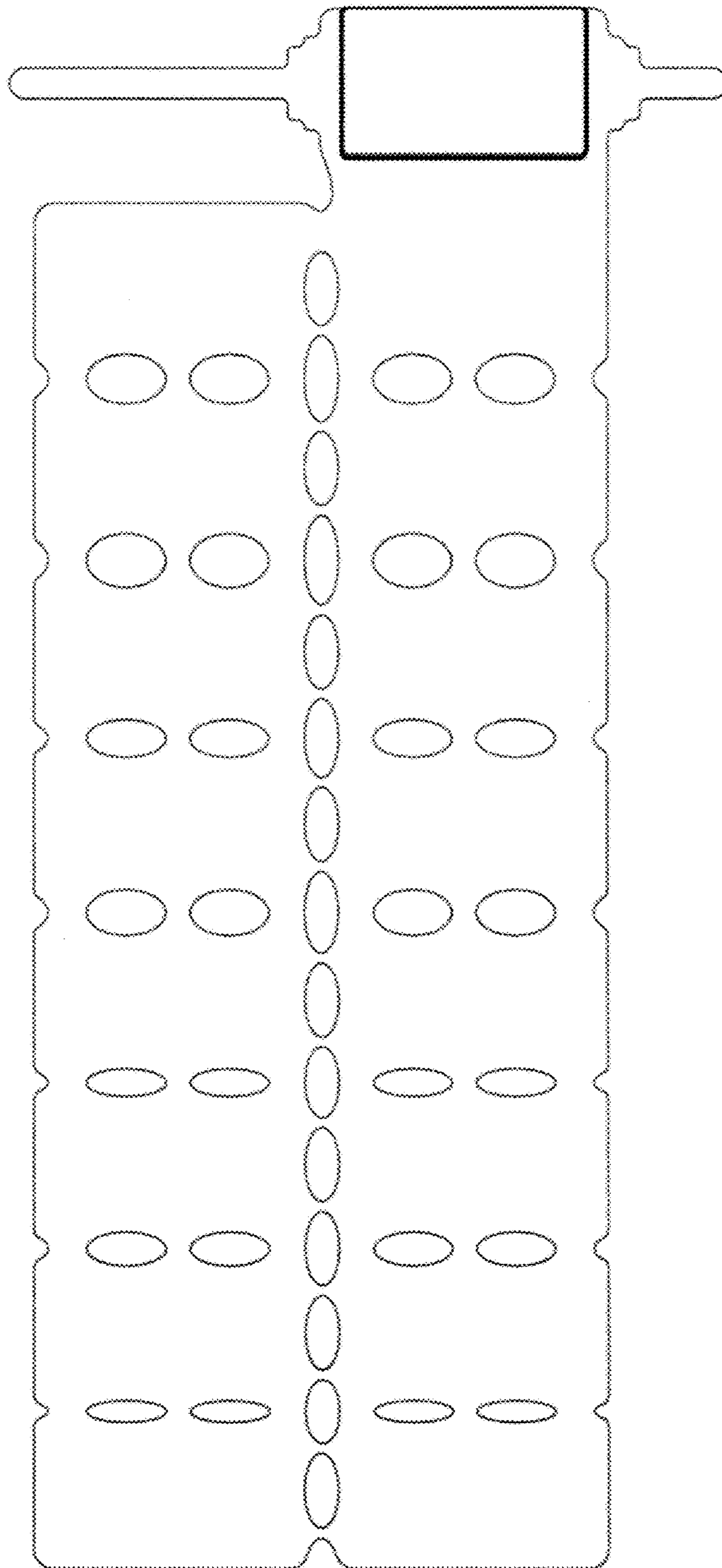


FIG. 4



FIG. 5



FIG. 6



FIG. 7

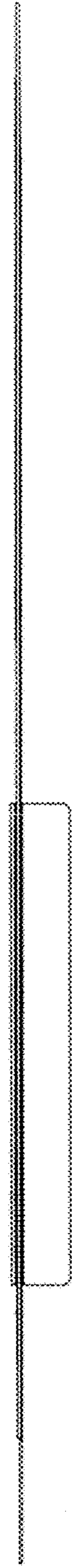


FIG. 8

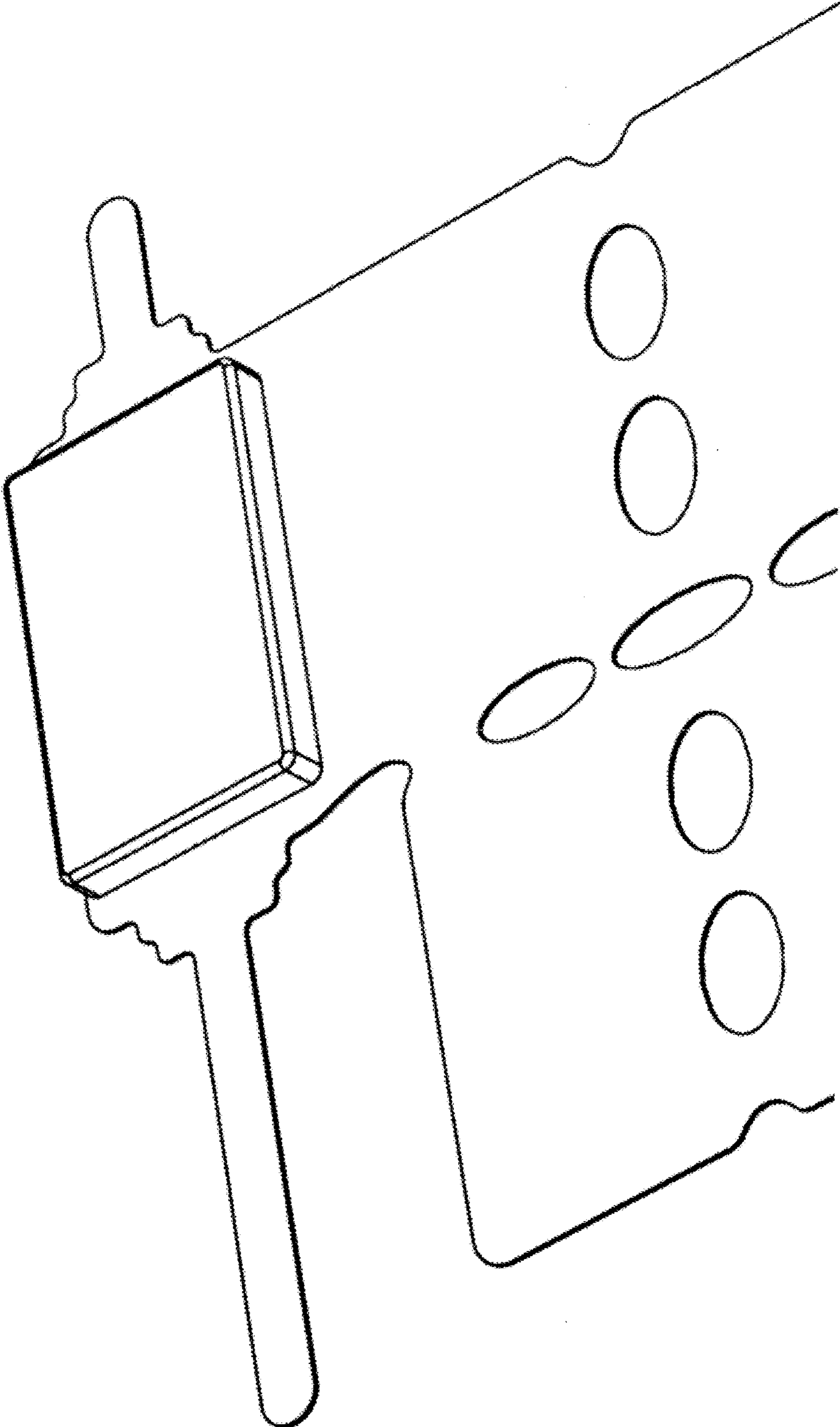


FIG. 9

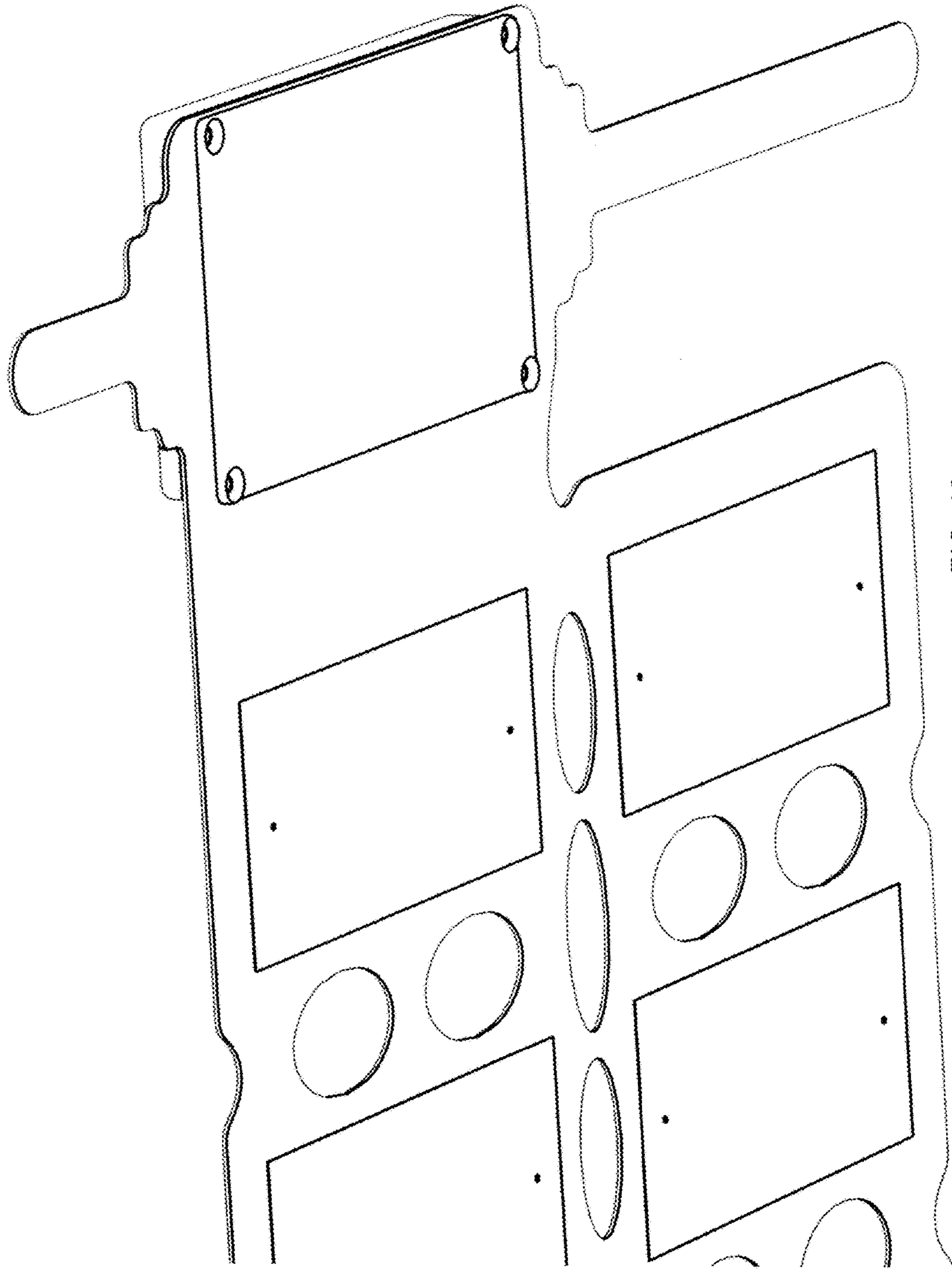


FIG. 10

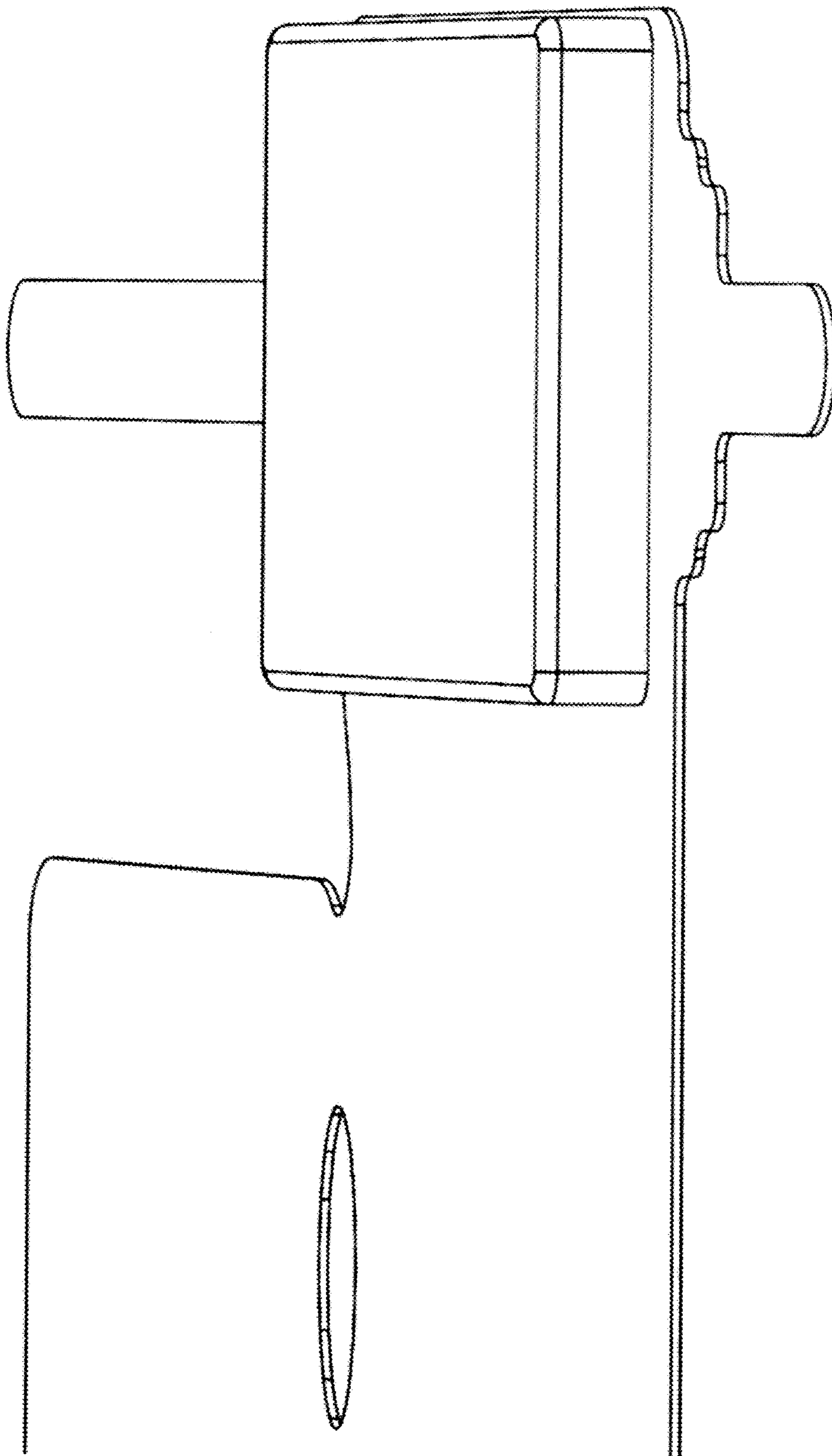


FIG. 11

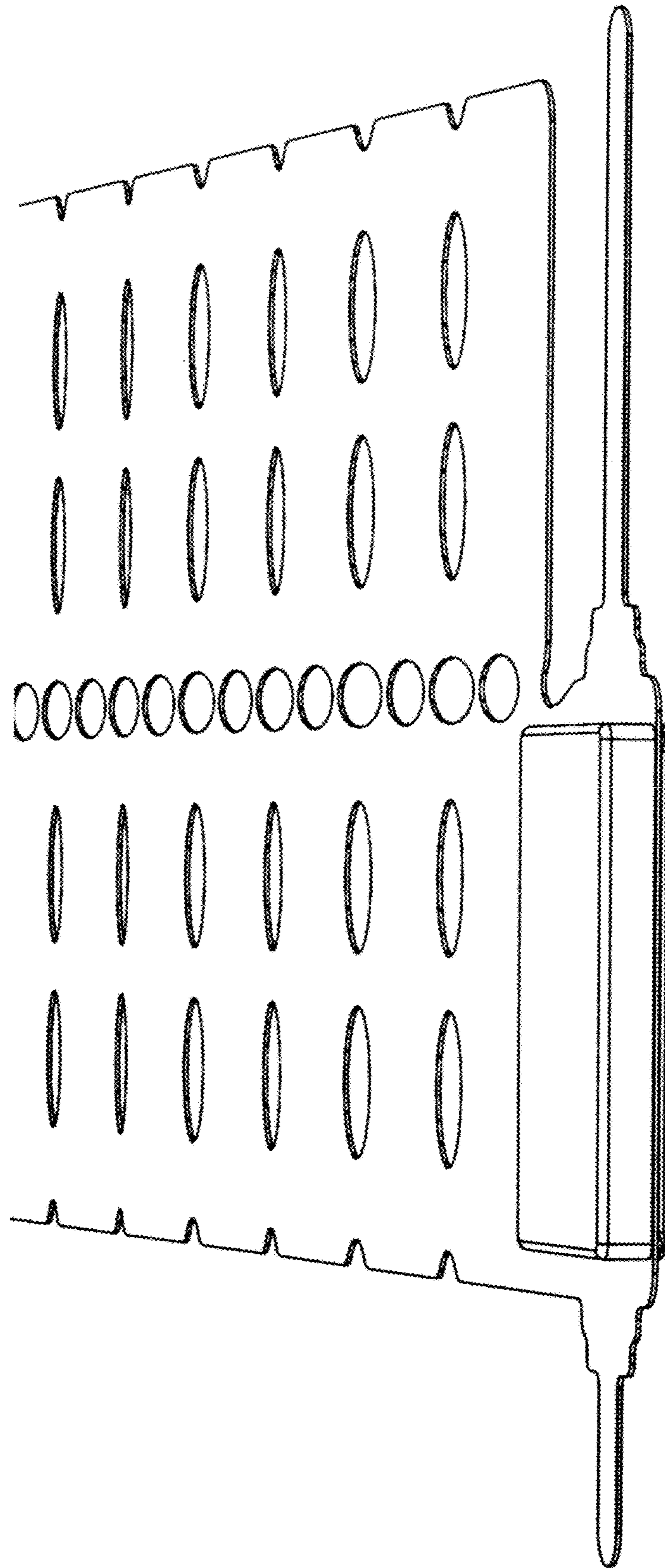


FIG. 12

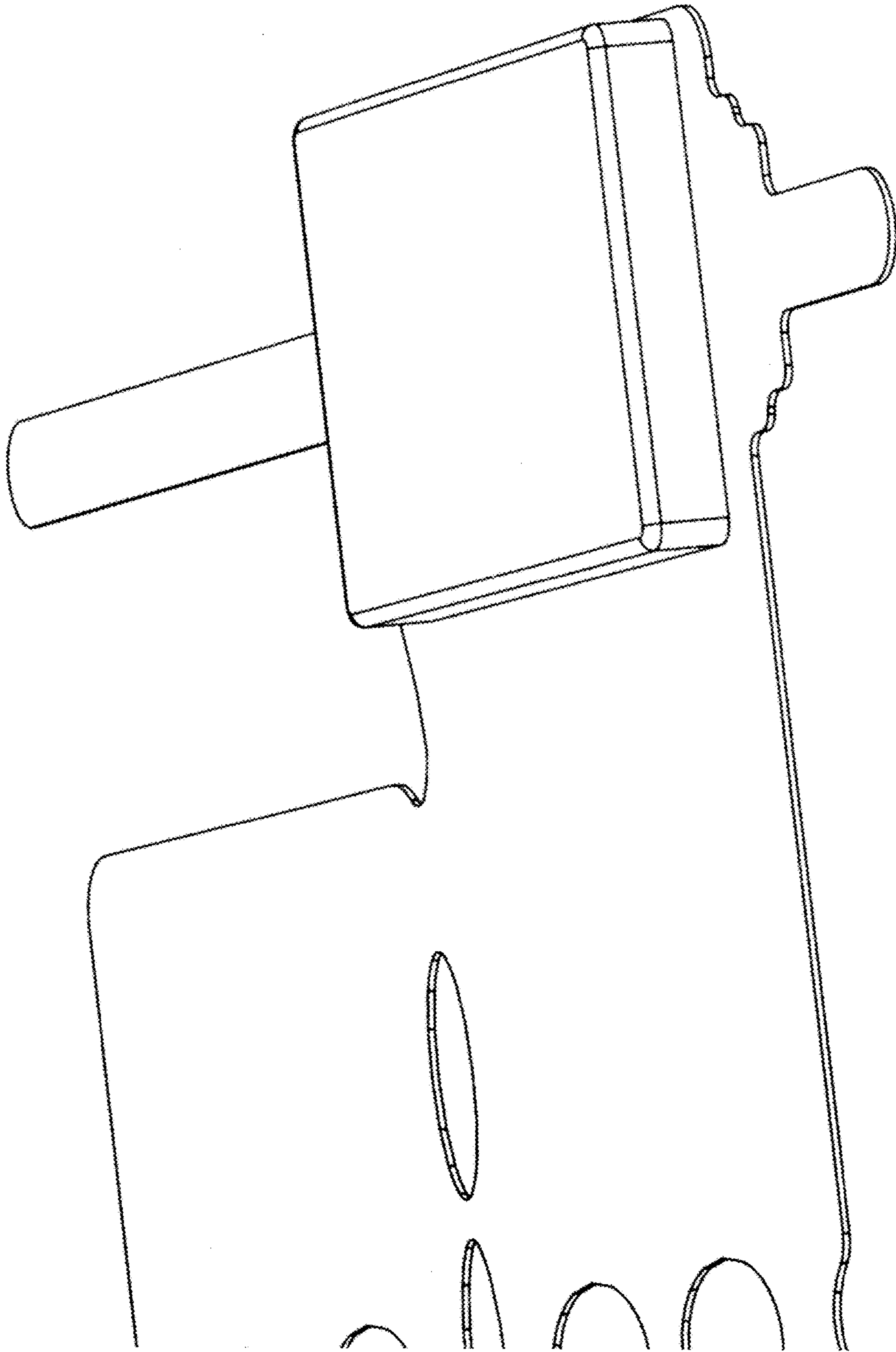


FIG. 13

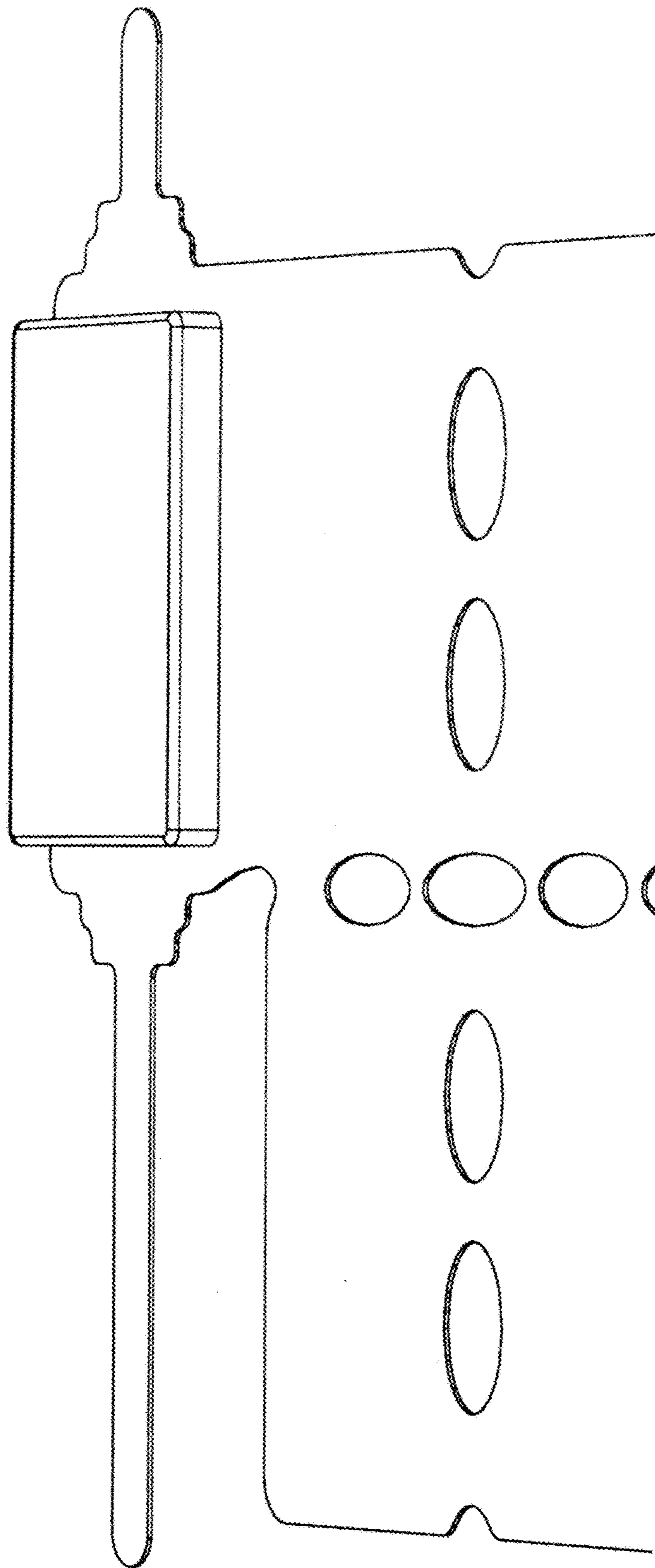


FIG. 14

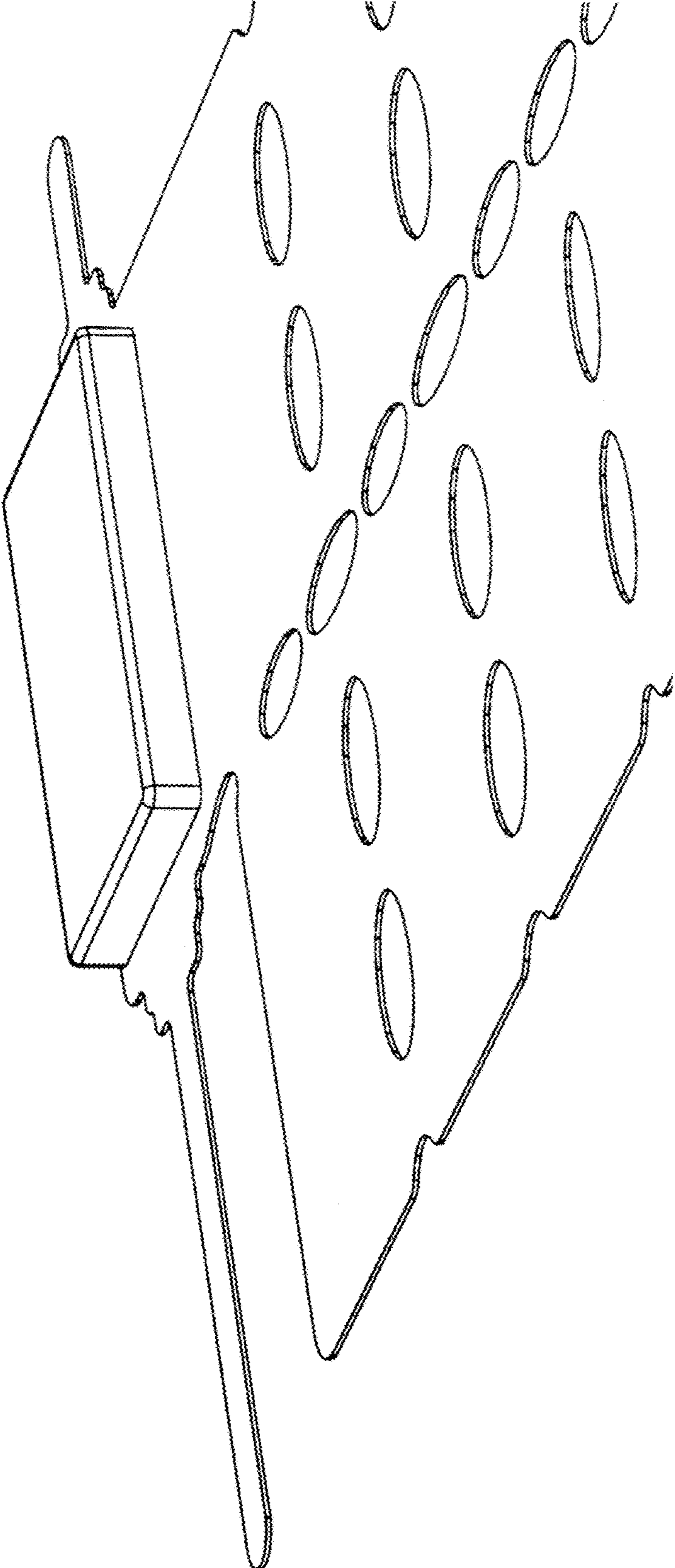


FIG. 15

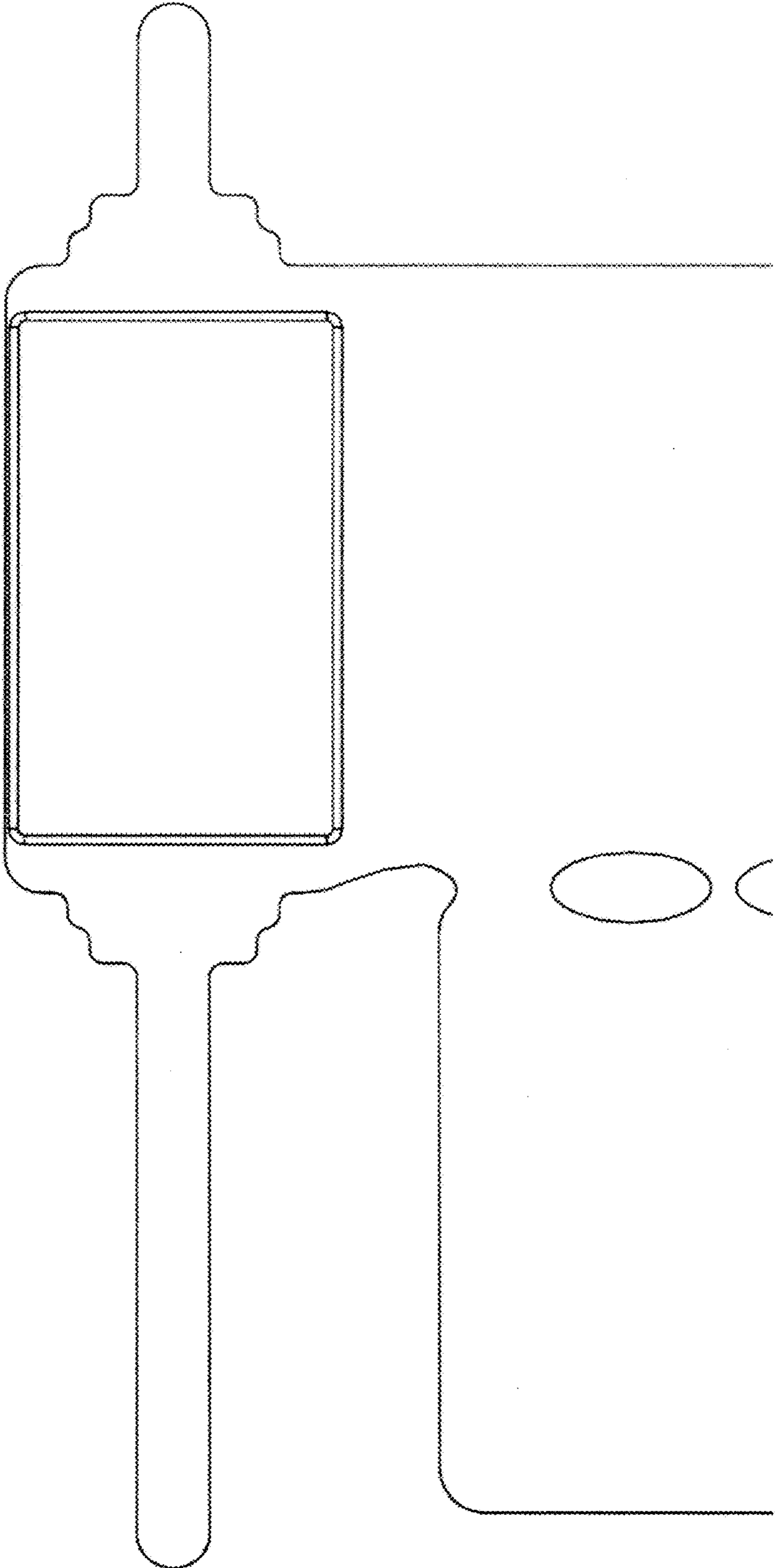


FIG. 16

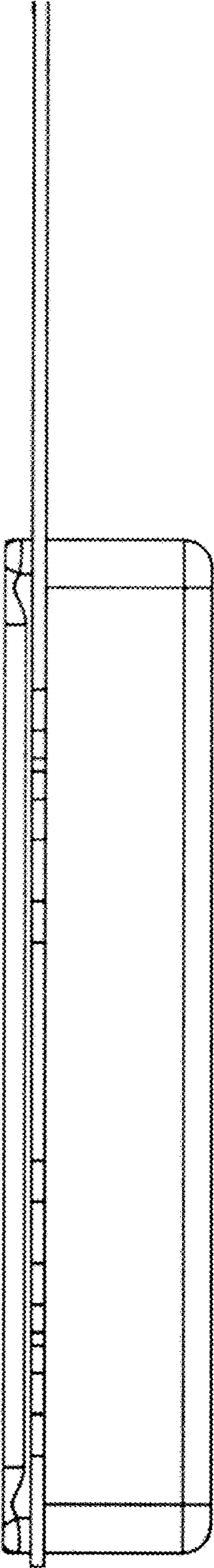


FIG. 17

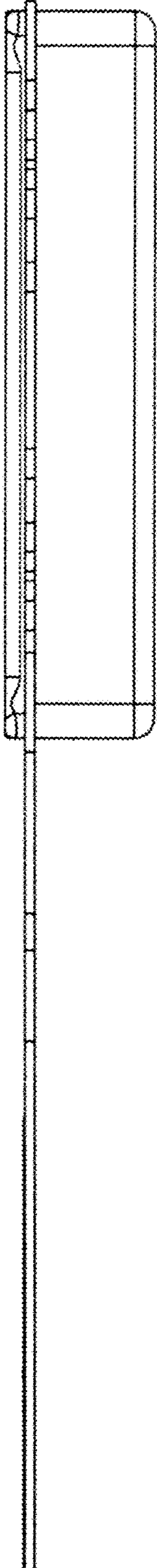


FIG. 18