



US00D781227S

(12) **United States Design Patent**  
**Honeycutt**

(10) **Patent No.:** **US D781,227 S**  
(45) **Date of Patent:** **\*\* Mar. 14, 2017**

(54) **GRIP ENHANCING TIRE ATTACHMENT**

(71) Applicant: **Andrew Honeycutt**, Anchorage, AK  
(US)

(72) Inventor: **Andrew Honeycutt**, Anchorage, AK  
(US)

(\*\*) Term: **14 Years**

(21) Appl. No.: **29/525,411**

(22) Filed: **Apr. 29, 2015**

(51) **LOC (10) Cl.** ..... **12-15**

(52) **U.S. Cl.**  
USPC ..... **D12/608**

(58) **Field of Classification Search**  
USPC ..... D12/608, 604, 501, 500, 400, 217, 202;  
D2/909, 915  
CPC ..... B60C 27/04; B60C 27/02; B60C 27/0276;  
B60B 15/18  
See application file for complete search history.

(56) **References Cited**

**U.S. PATENT DOCUMENTS**

2,341,317	A *	2/1944	Faulds	.....	B60C 27/16 152/222
3,850,216	A	11/1974	Sanvitale		
D243,599	S *	3/1977	Gilmartin	.....	D11/27
4,036,272	A	7/1977	Lee		
4,098,313	A	7/1978	Ingerson		
4,187,894	A *	2/1980	Peterson	.....	B60C 27/16 152/222
4,287,926	A	9/1981	Wong		
D308,039	S	5/1990	Ellis		
5,513,684	A	5/1996	Laub		
6,016,856	A *	1/2000	Hynes	.....	B60C 27/16 152/190
6,401,775	B1	6/2002	Sood et al.		

7,055,567	B1	6/2006	Della Camera		
D597,481	S *	8/2009	Toren	.....	D12/608
D689,014	S *	9/2013	Cox	.....	D12/608
8,651,154	B1 *	2/2014	Chira	.....	B60C 27/16 152/221
D731,964	S *	6/2015	Williams	.....	D12/608
9,469,170	B1 *	10/2016	Tyszkiewicz	.....	B60C 27/0284
2002/0079034	A1 *	6/2002	Sood	.....	B60C 27/04 152/225 C
2010/0252160	A1 *	10/2010	Gelowicz	.....	B60C 27/04 152/213 R
2011/0094643	A1 *	4/2011	Reil	.....	B60C 27/04 152/216

(Continued)

*Primary Examiner* — George D Kirschbaum  
*Assistant Examiner* — Clese Moore, Jr.

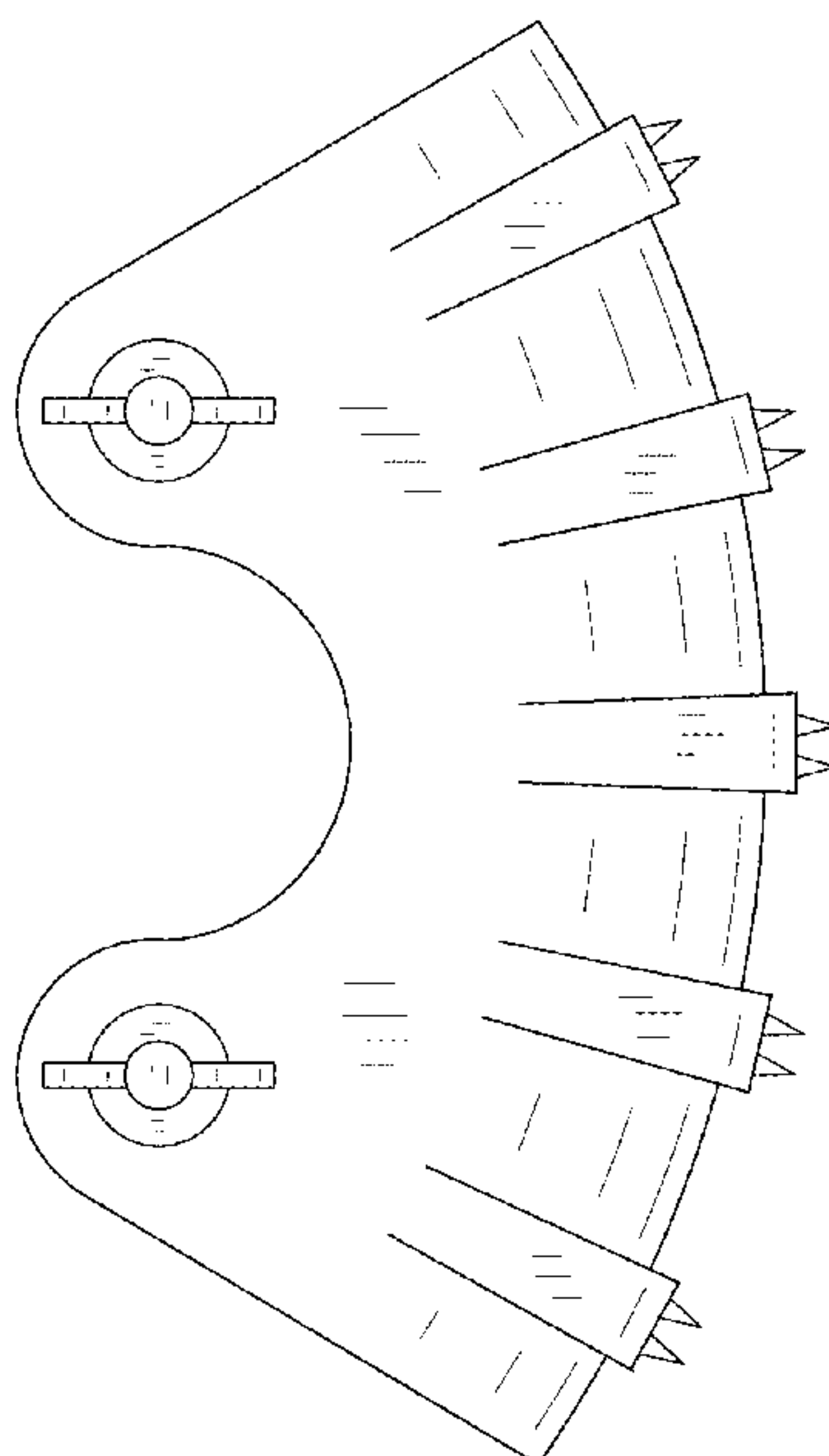
(57) **CLAIM**

The ornamental design for a grip enhancing tire attachment, as shown and described.

**DESCRIPTION**

FIG. 1 is a front view of a grip enhancing tire attachment showing my new design; FIG. 2 is a rear view of the grip enhancing tire attachment; FIG. 3 is a top view of the grip enhancing tire attachment; FIG. 4 is a bottom view of the grip enhancing tire attachment; FIG. 5 is a right side view of the grip enhancing tire attachment, a left side view being a mirror image thereof; FIG. 6 is a top front side perspective view of the grip enhancing tire attachment; and, FIG. 7 is a front view of the grip enhancing tire attachment in use. The broken lines shown in FIG. 7 illustrates environment that form no part of the claimed design.

**1 Claim, 7 Drawing Sheets**



(56)

**References Cited**

U.S. PATENT DOCUMENTS

2011/0220262 A1\* 9/2011 Winton ..... B60C 27/06  
152/228  
2011/0303334 A1\* 12/2011 Safranek ..... B60C 27/04  
152/216  
2012/0119564 A1\* 5/2012 Perry ..... B60B 15/00  
301/44.2  
2012/0153707 A1 6/2012 Dondurur et al.  
2015/0053322 A1\* 2/2015 Curry ..... B60C 27/20  
152/221  
2015/0306926 A1\* 10/2015 Martin ..... B60C 27/0238  
152/216  
2016/0229240 A1\* 8/2016 Shin ..... B60C 27/0269

\* cited by examiner

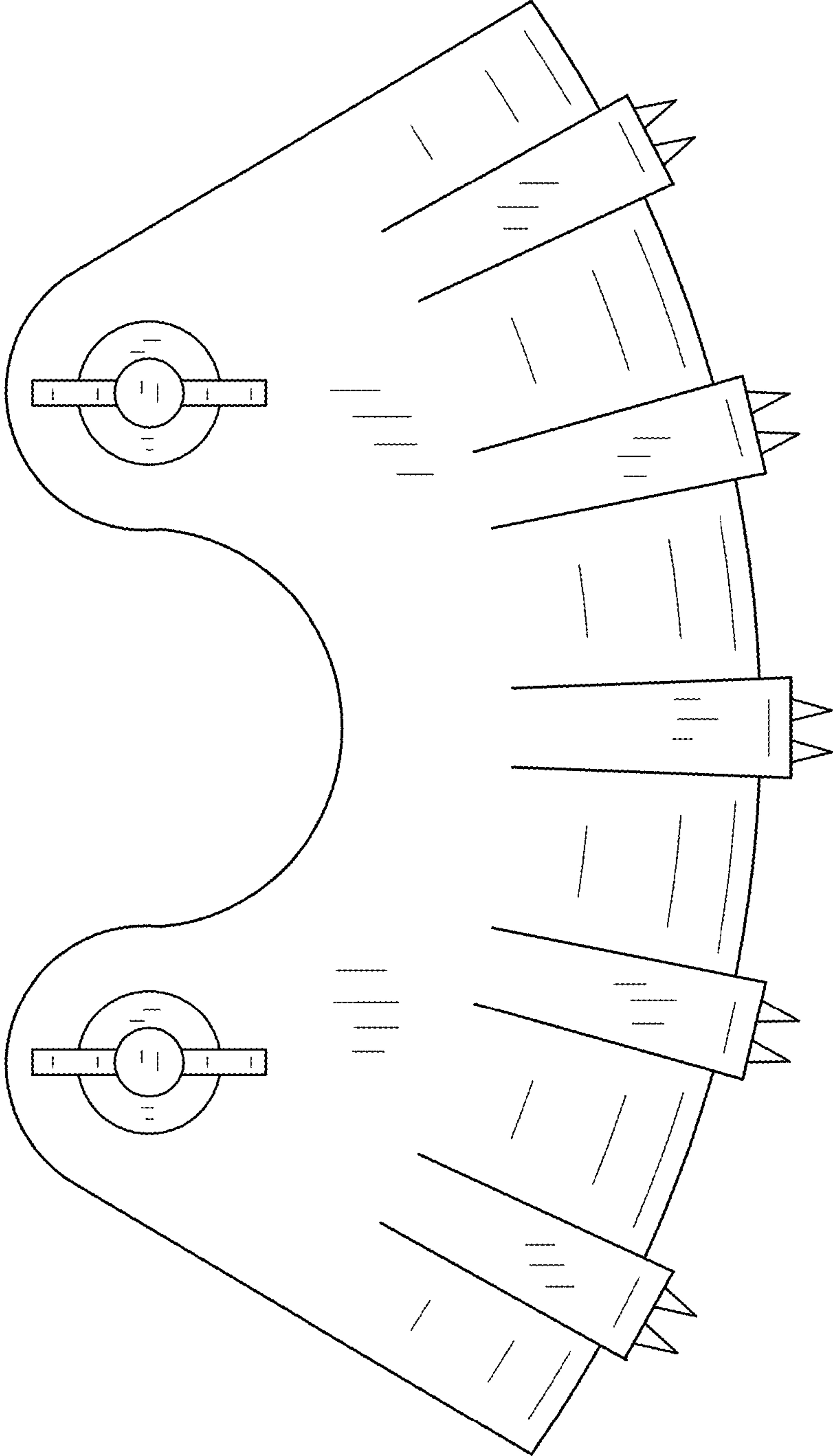


FIG. 1

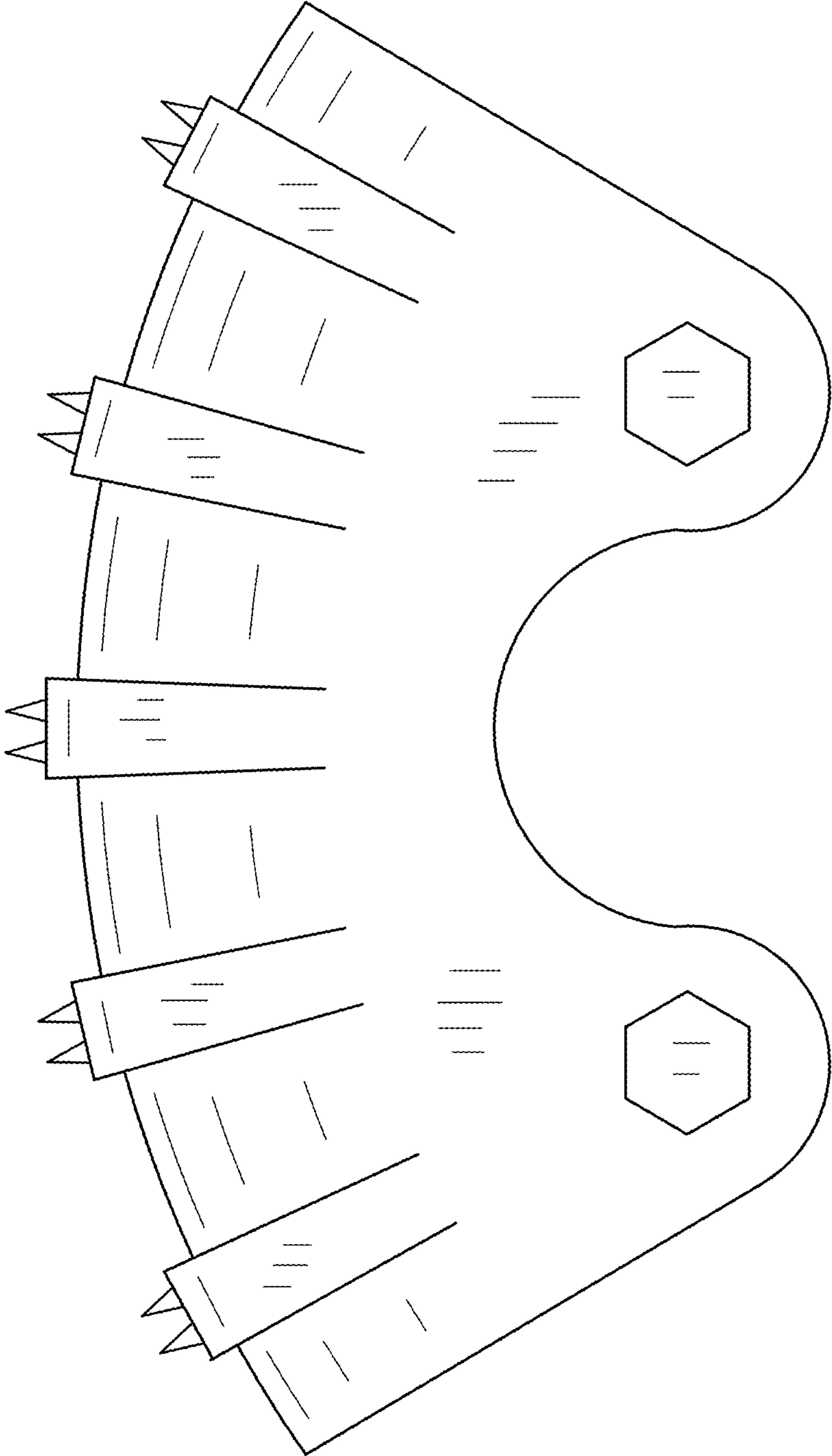


FIG. 2

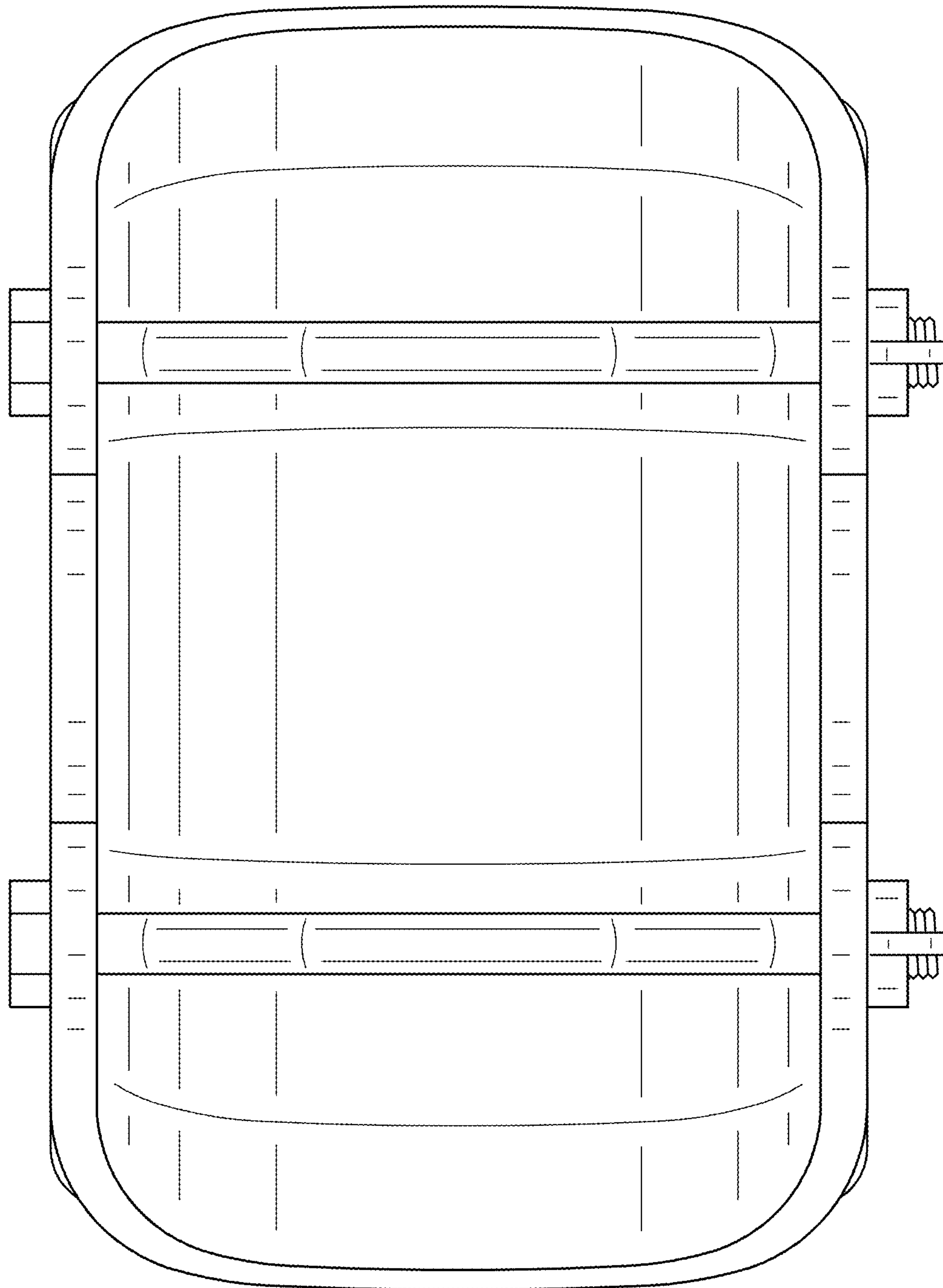


FIG. 3

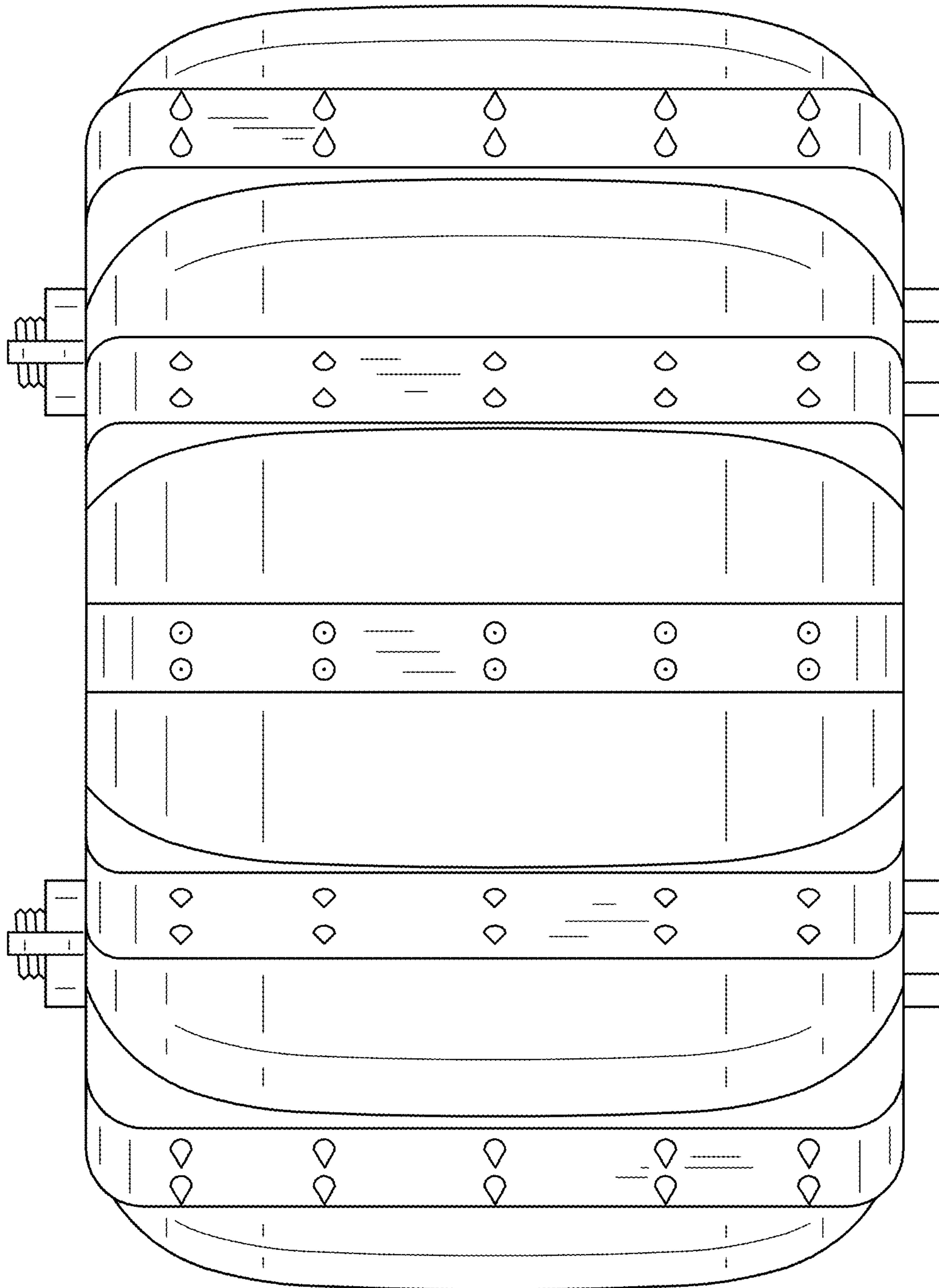


FIG. 4



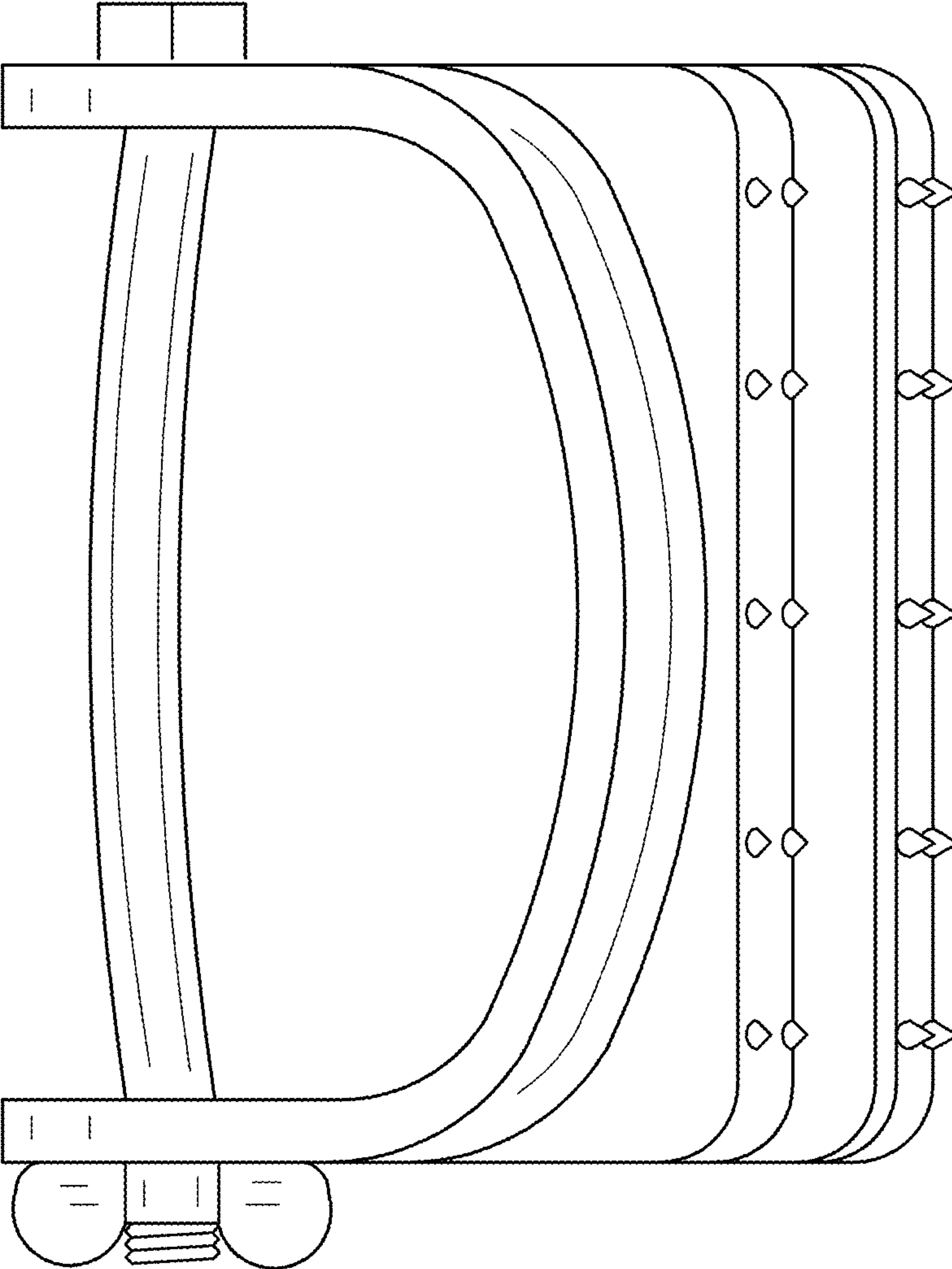


FIG. 5

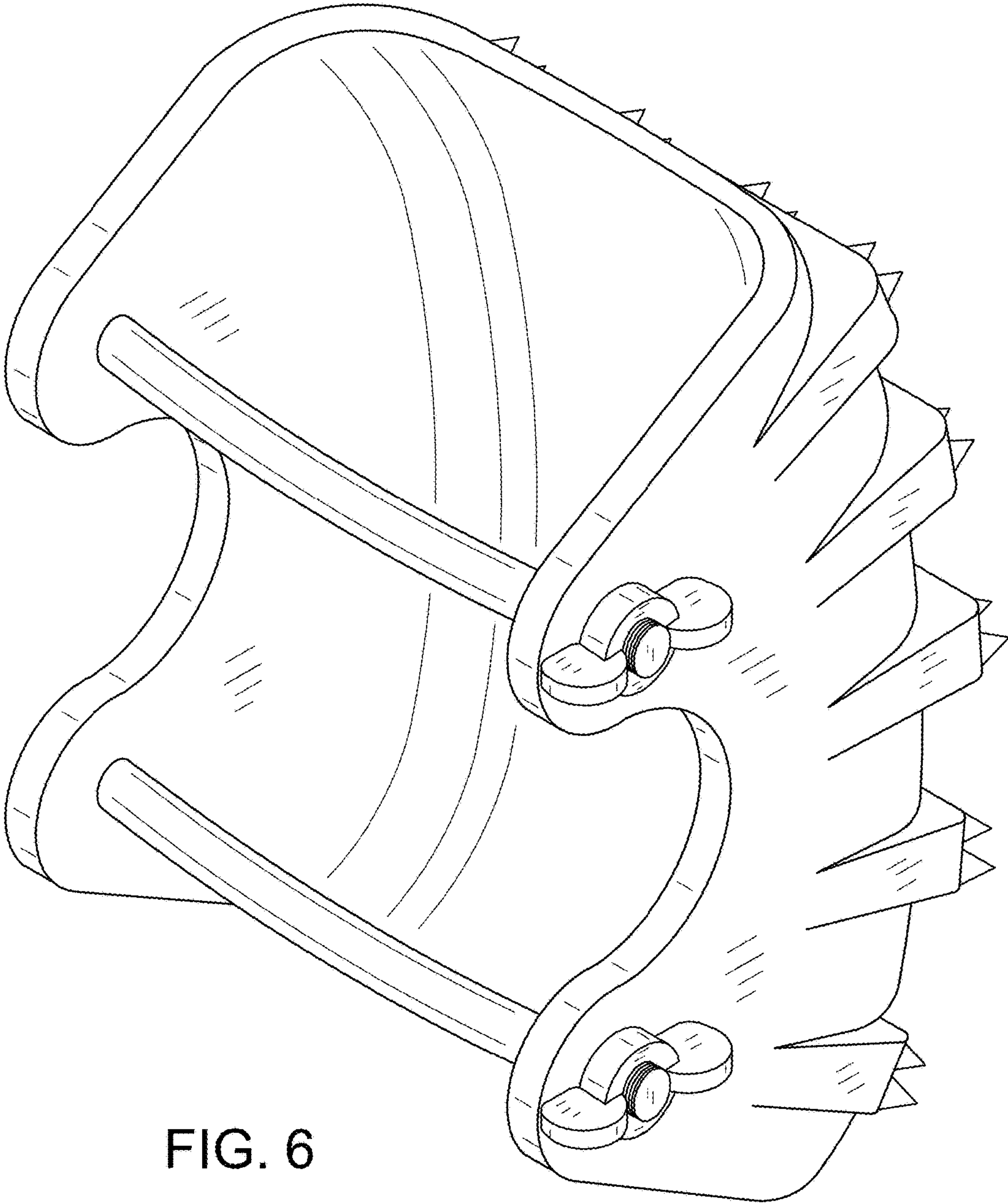


FIG. 6



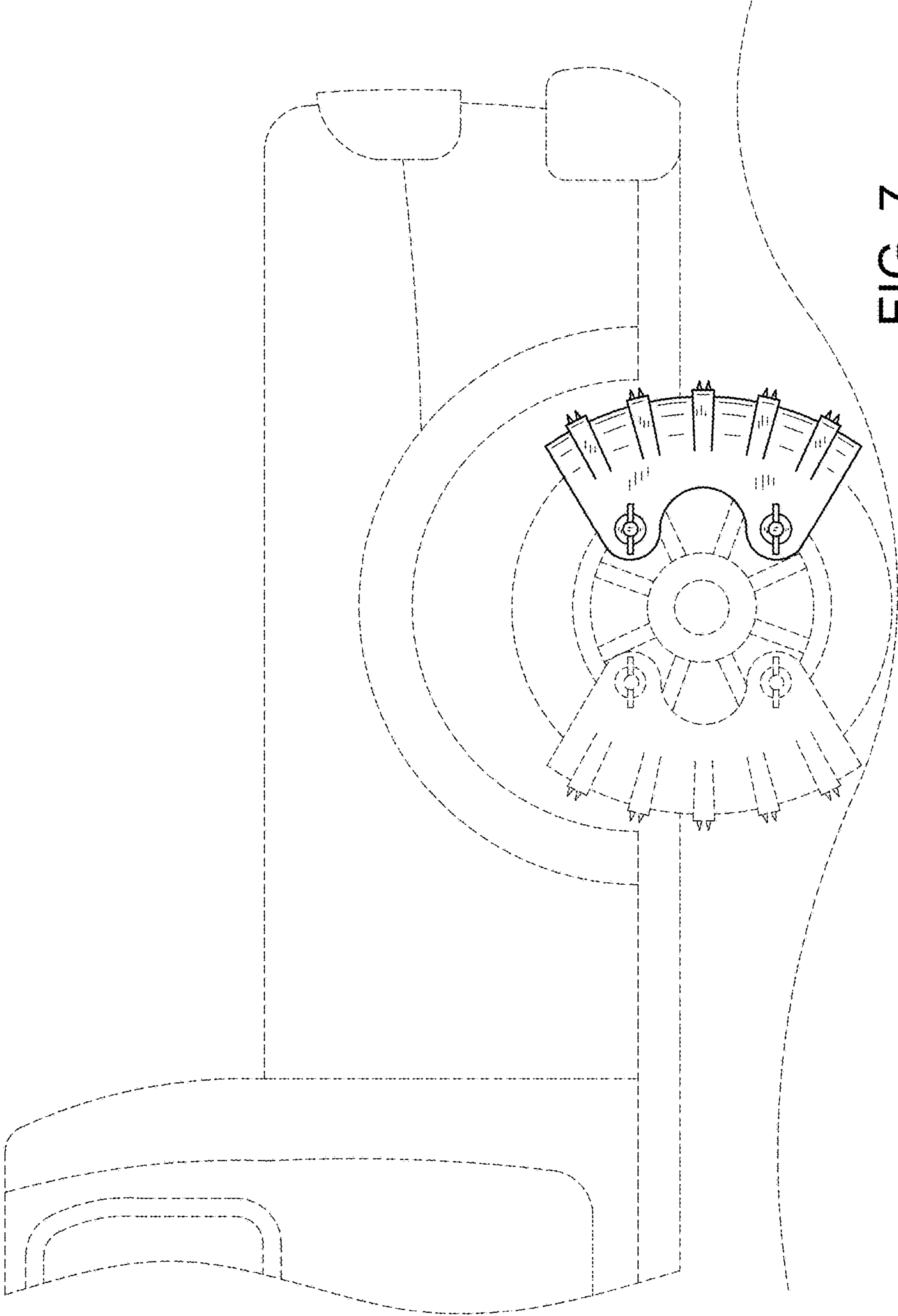


FIG. 7