



US00D781223S

(12) **United States Design Patent**
Dixon et al.

(10) **Patent No.:** **US D781,223 S**
(45) **Date of Patent:** **** Mar. 14, 2017**

(54) **TIRE**

(71) Applicant: **The Goodyear Tire & Rubber Company, Akron, OH (US)**

(72) Inventors: **Max Harold Dixon, Kent, OH (US); Daniel Thomas Murphy, Mogadore, OH (US); Susan Lewis Madar, Macedonia, OH (US)**

(73) Assignee: **The Goodyear Tire & Rubber Company, Akron, OH (US)**

(**) Term: **15 Years**

(21) Appl. No.: **29/530,599**

(22) Filed: **Jun. 18, 2015**

(51) **LOC (10) Cl.** **12-15**

(52) **U.S. Cl.**
USPC **D12/588**

(58) **Field of Classification Search**
USPC D12/586, 587, 588, 589, 590, 591, 596,
D12/597, 598, 600, 601, 900
CPC . B60C 11/03; B60C 11/0306; B60C 11/0337;
B60C 11/0339; B60C 11/11
See application file for complete search history.

(56) **References Cited**

U.S. PATENT DOCUMENTS

D362,213 S *	9/1995	McKisson	D12/586
D387,715 S	12/1997	Miller et al.	D12/147
D410,420 S	6/1999	de Barys	D12/147
D458,584 S	6/2002	Young et al.	D12/600
D569,334 S	5/2008	Maziarka et al.	D12/600
D586,730 S	2/2009	Scheuren et al.	D12/553
D592,589 S	5/2009	Dixon et al.	D12/600
D592,590 S	5/2009	Janesh et al.	D12/600

(Continued)

Primary Examiner — Robert M Spear

(74) Attorney, Agent, or Firm — Robert N. Lipsik

(57) **CLAIM**

The ornamental design for a tire, as shown and described.

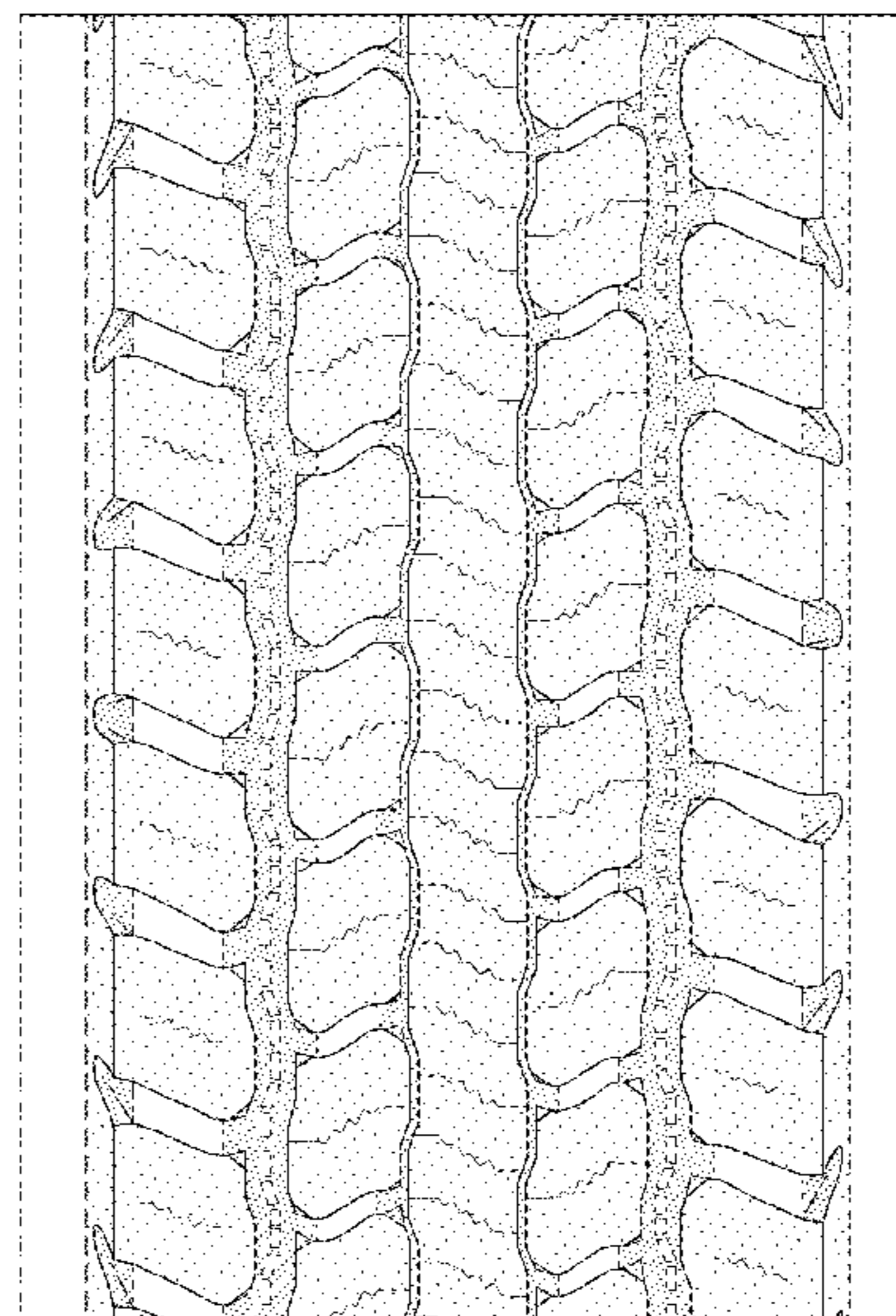
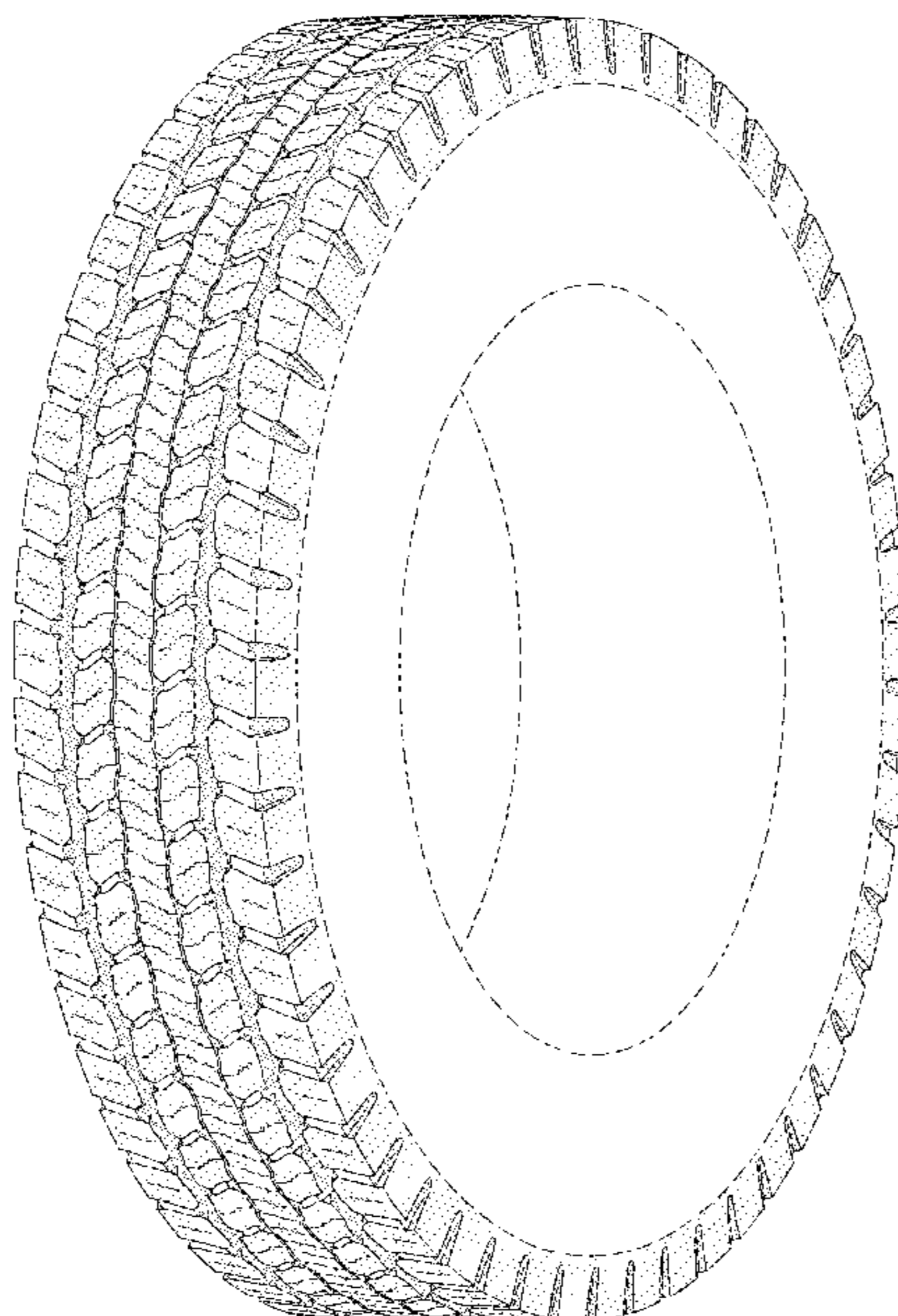
DESCRIPTION

FIG. 1 is a perspective view of a tire showing our new design, it being understood that the pattern repeats uniformly throughout the circumference of the tread;
 FIG. 2 is a front elevational view thereof;
 FIG. 3 is a right side elevational view thereof; the opposite side elevational view being identical thereto;
 FIG. 4 is an enlarged fragmentary front elevational view thereof;
 FIG. 5 is a perspective view of a second embodiment of a tire showing our new design, it being understood that the pattern repeats uniformly throughout the circumference of the tread and that the opposite side view is identical thereto; and,
 FIG. 6 is a front elevational view of a second embodiment, it being understood that an enlarged fragmentary view thereof would be substantially identical to that shown in FIG. 4, with the exception of the inclusion of the sidewall in solid lines.

In the drawings, the unshaded surfaces of the tire form no part of the claim; the broken lines showing of the sidewall, inner bead, peripheral boundary between the tire tread and the sidewall, the rectangular features in the base of the circumferential grooves and tie bar elements in the intermediary and shoulder grooves in FIGS. 1 through 4 depict environmental subject matter and form no part of the claimed design.

The dark stippled surface shading represents the recessed portion of the tread grooves having a depth as best shown in FIG. 2.

1 Claim, 6 Drawing Sheets



(56)

References Cited

U.S. PATENT DOCUMENTS

D597,478 S	8/2009	Scheuren et al.	D12/584
D601,085 S	9/2009	Janesh et al.	D12/600
D601,488 S	10/2009	Maus et al.	D12/600
D626,501 S	11/2010	Cazin-Bourguignon et al.	D12/600
D627,707 S	11/2010	Le et al.	D12/566
D627,713 S	11/2010	Le et al.	D12/600
D628,956 S *	12/2010	Janesh	D12/588
D637,142 S	5/2011	Nicolas et al.	D12/579
D640,185 S *	6/2011	Scheuren	D12/588
D642,511 S	8/2011	Strader et al.	D12/587
D645,810 S	9/2011	Le et al.	D12/600
D662,457 S	6/2012	Krier et al.	D12/588
D667,364 S	9/2012	Krier et al.	D12/586
8,267,131 B2 *	9/2012	Ikeda B60C 11/0306 152/209,18	
D700,885 S	3/2014	Le et al.	D12/588
D710,294 S *	8/2014	Dixon	D12/588
D710,789 S *	8/2014	Koog	D12/588
D715,216 S	10/2014	Dixon et al.	D12/600
D715,217 S	10/2014	Dixon et al.	D12/600
D731,960 S *	6/2015	Otani	D12/587
D761,192 S *	7/2016	Dixon	D12/594
D761,194 S *	7/2016	Dixon	D12/600

* cited by examiner

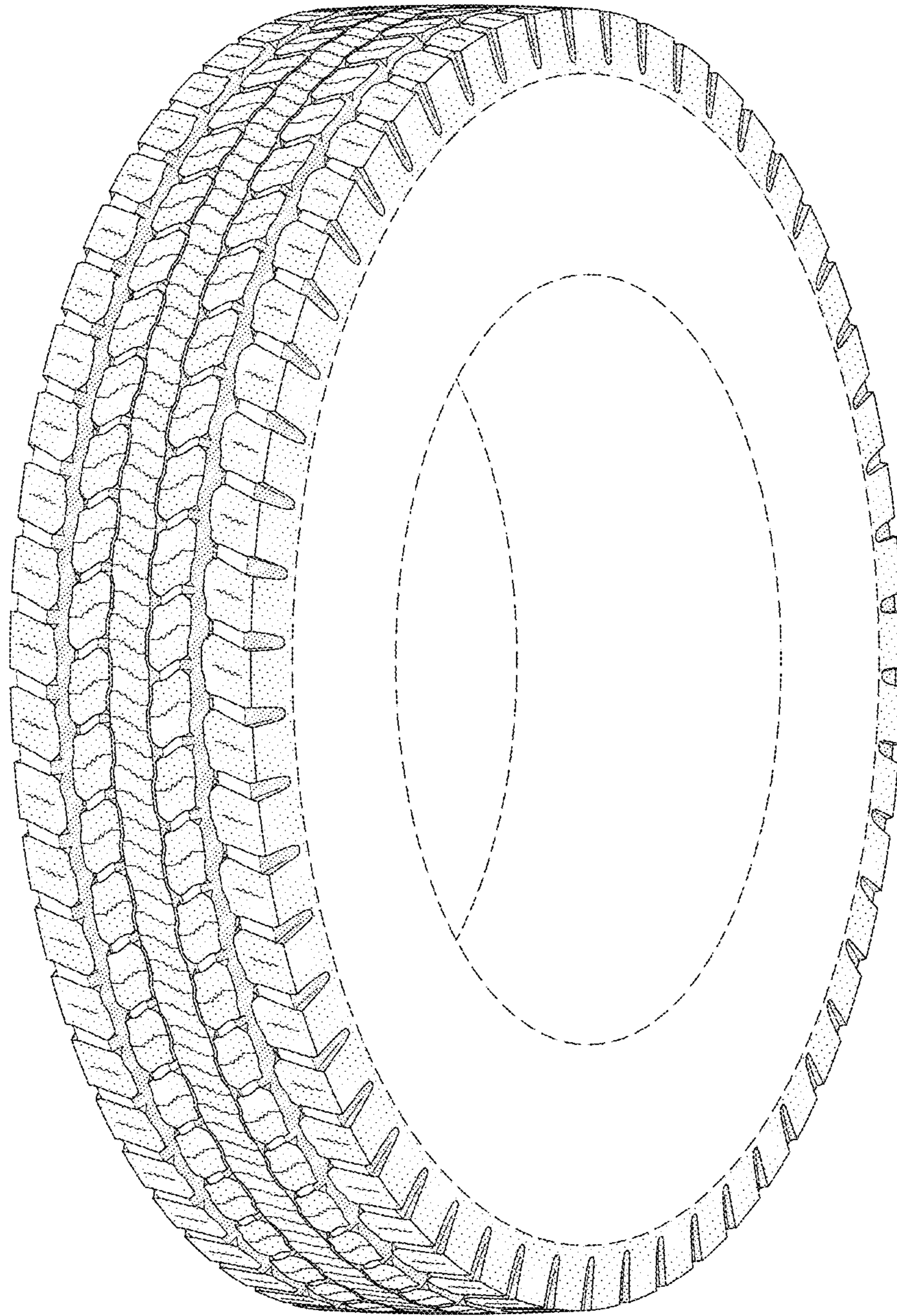


FIG-1

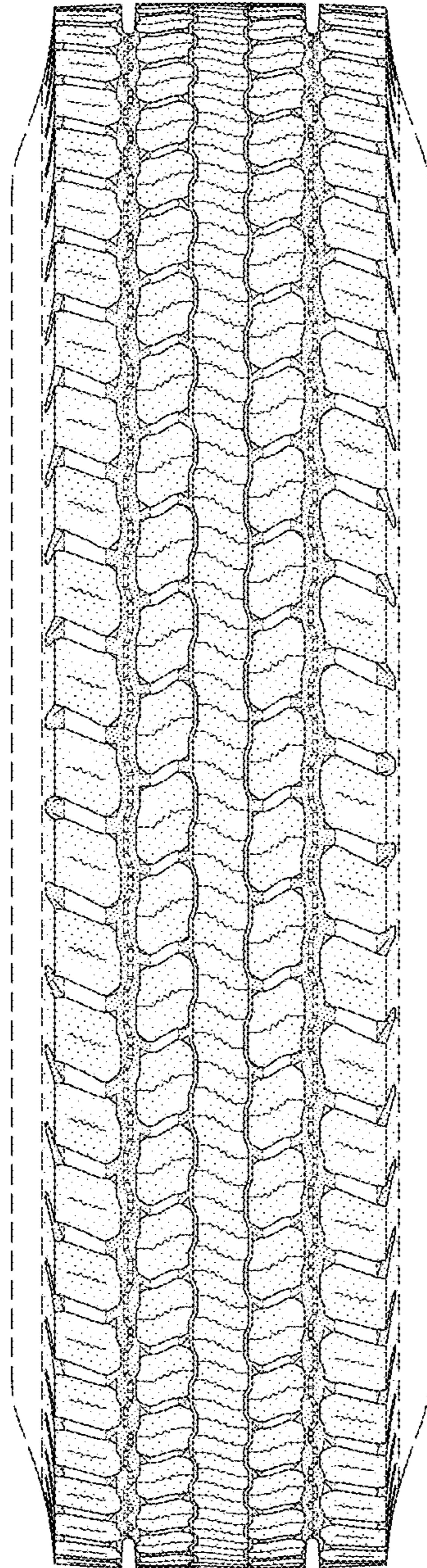


FIG-2

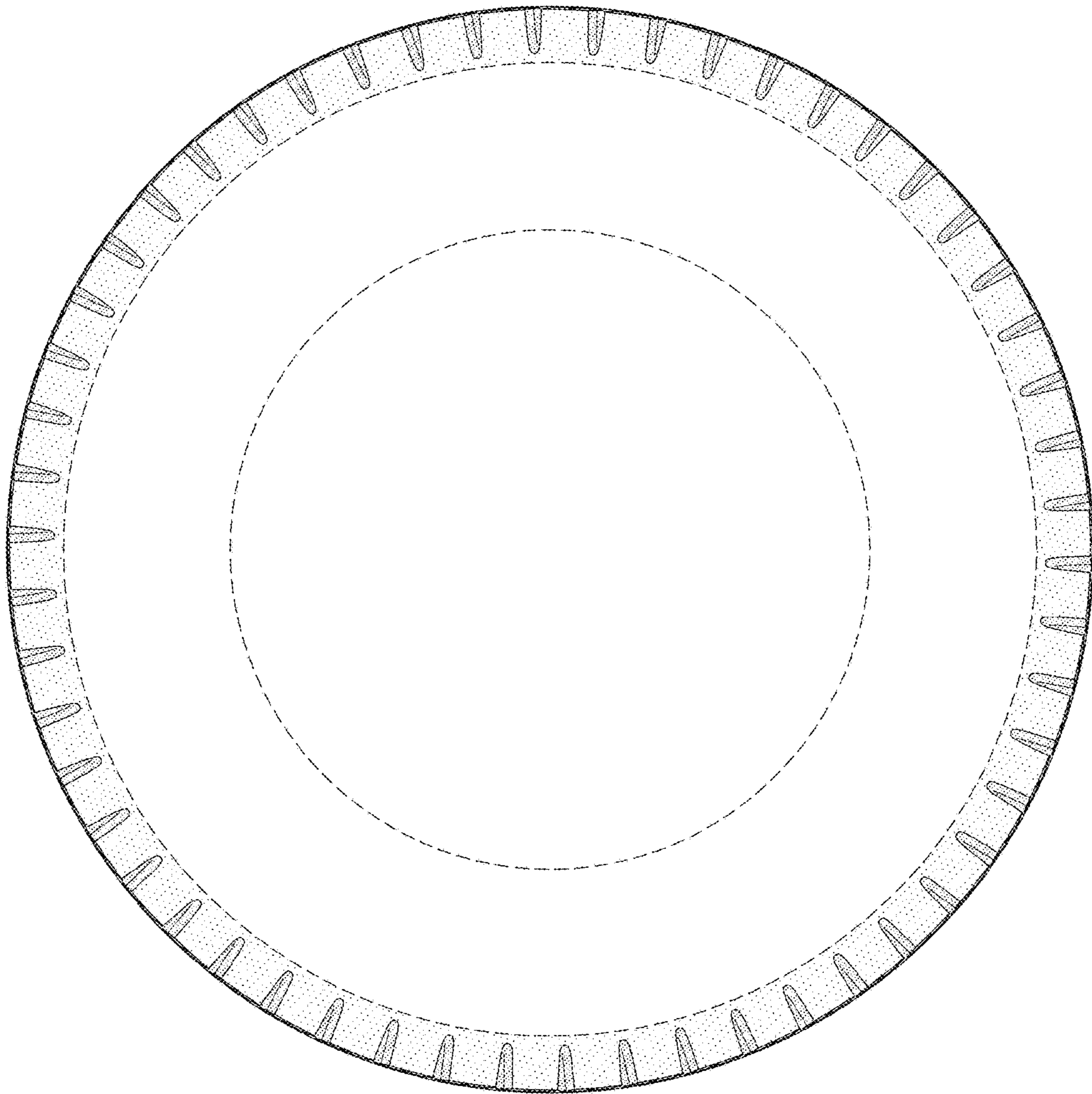


FIG-3

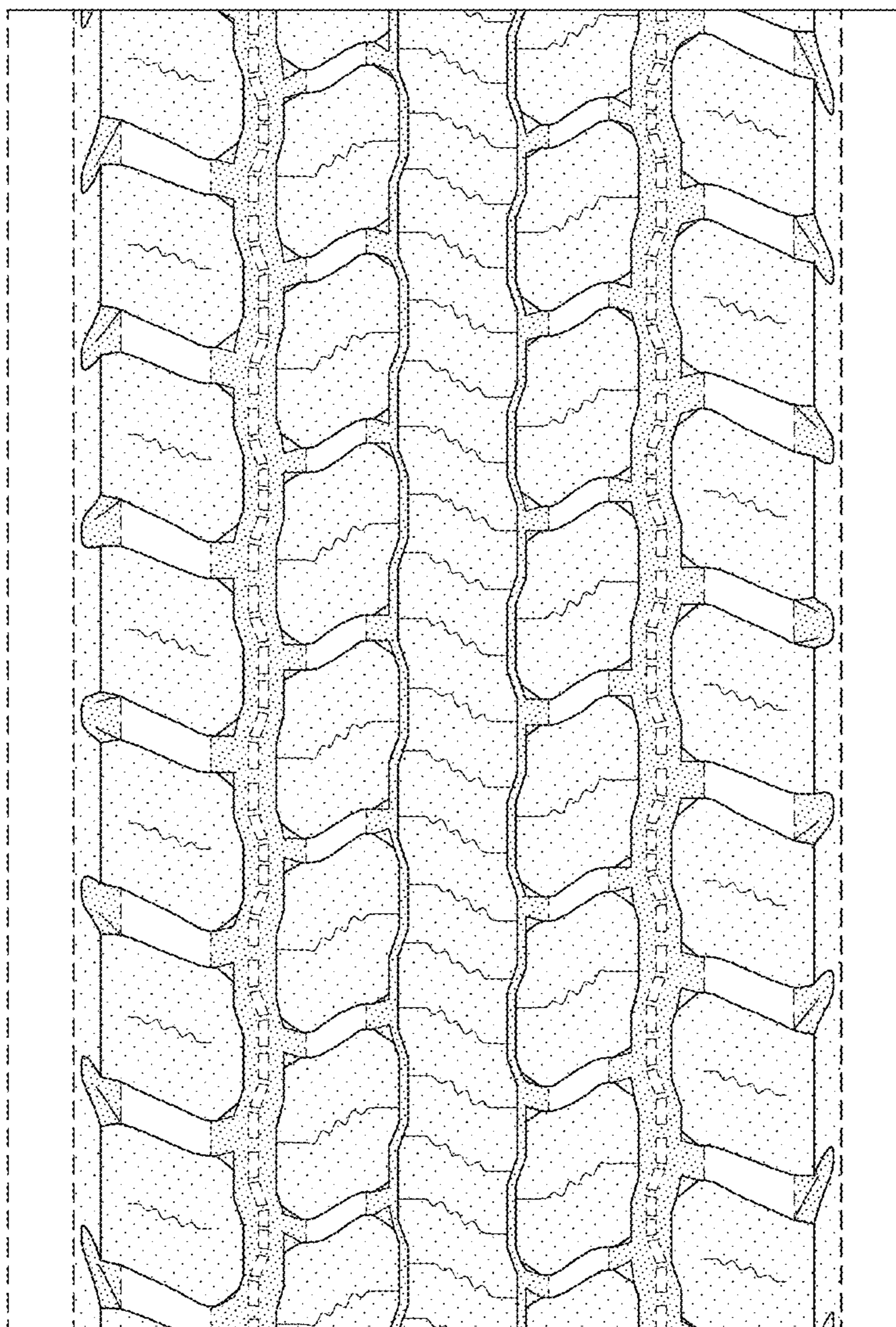


FIG-4

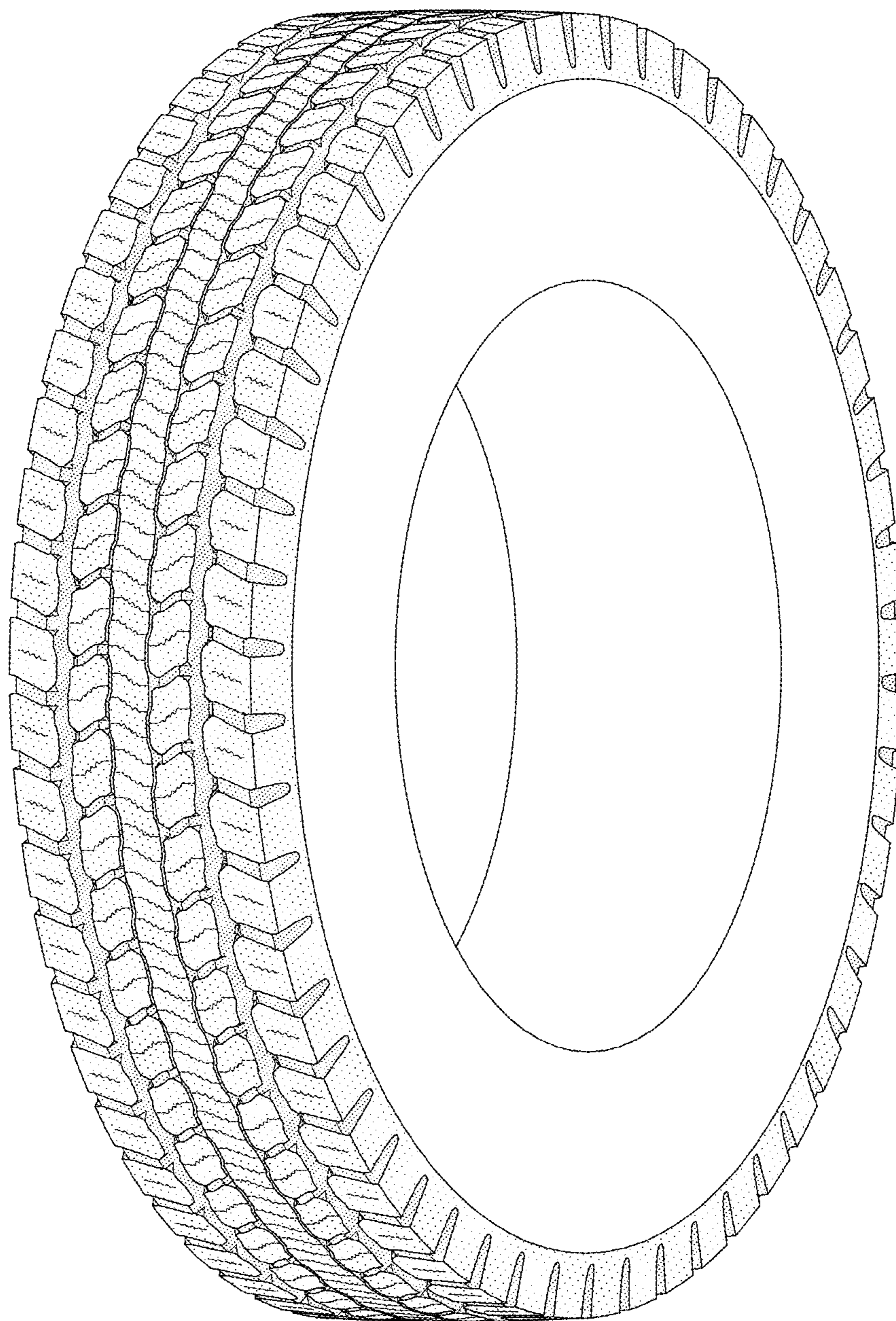


FIG-5

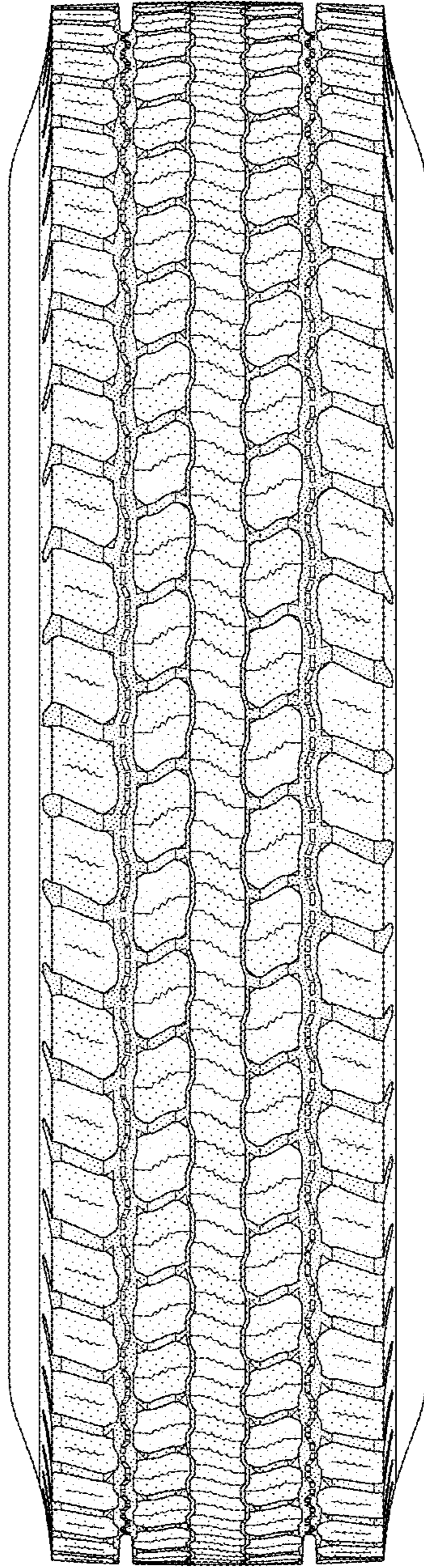


FIG-6