



US00D781211S

(12) **United States Design Patent** (10) **Patent No.:** **US D781,211 S**  
**Satou et al.** (45) **Date of Patent:** **\*\* Mar. 14, 2017**

(54) **CENTER CONSOLE FOR AUTOMOBILE**

*Primary Examiner* — Katrina A Betton

(71) Applicant: **Nissan Motor Co., Ltd.**, Yokohama, Kanagawa (JP)

(74) *Attorney, Agent, or Firm* — Global IP Counselors, LLP

(72) Inventors: **Atsushi Satou**, Kanagawa (JP);  
**Masahiro Matsuda**, Kanagawa (JP)

(57) **CLAIM**

(73) Assignee: **Nissan Motor Co., Ltd.**, Yokohama (JP)

The ornamental design for a center console for an automobile, as shown and described.

(\*\*) Term: **15 Years**

(21) Appl. No.: **29/558,238**

**DESCRIPTION**

(22) Filed: **Mar. 16, 2016**

(30) **Foreign Application Priority Data**

Sep. 17, 2015 (JP) ..... 2015-020708

(51) **LOC (10) Cl.** ..... **12-16**

(52) **U.S. Cl.**  
USPC ..... **D12/419**

(58) **Field of Classification Search**  
USPC ..... D12/415-420, 400, 191, 106, 195, 345,  
D12/96, 99

(Continued)

(56) **References Cited**

**U.S. PATENT DOCUMENTS**

D359,266 S \* 6/1995 Karp ..... D12/419  
D448,720 S \* 10/2001 Nash ..... D12/192

(Continued)

**FOREIGN PATENT DOCUMENTS**

JP D1268987 S 4/2007  
JP D1332119 S 6/2008

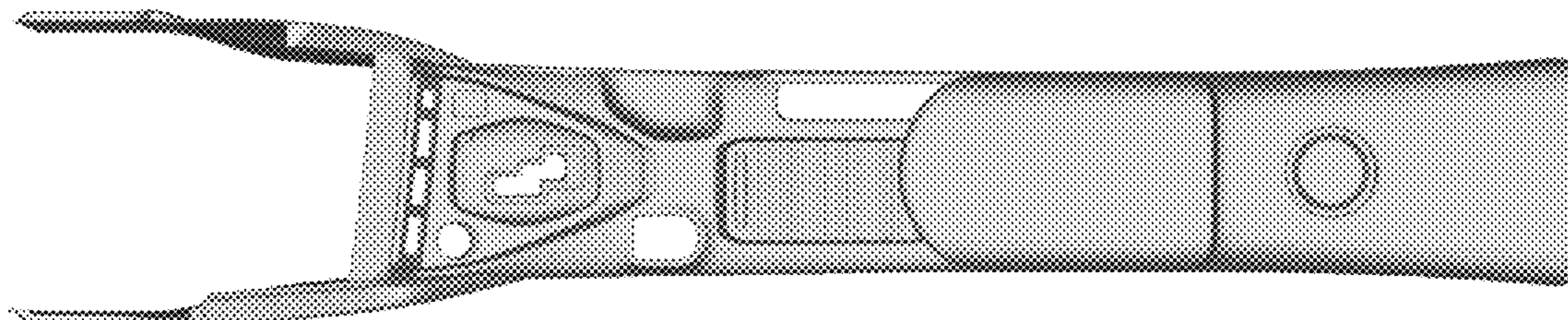
(Continued)

FIG. 1 is a front elevational view of a center console for an automobile in accordance with my new design;  
FIG. 2 is a top plan view of the center console in accordance with my new design of FIG. 1;  
FIG. 3 is a bottom plan view of the center console in accordance with my new design of FIGS. 1 and 2;  
FIG. 4 is a left side elevational view of the center console in accordance with my new design of FIGS. 1 to 3;  
FIG. 5 is a right side elevational view of the center console in accordance with my new design of FIGS. 1 to 4;  
FIG. 6 is a front, left perspective view of the center console in accordance with my new design of FIGS. 1 to 5;  
FIG. 7 is a rear, right perspective view of the center console in accordance with my new design of FIGS. 1 to 6; and,  
FIG. 8 is a rear elevational view of the center console in accordance with my new design of FIGS. 1 to 7.

The inside surfaces of the center console form no part of the claimed design since the inside surfaces are hidden when the center console is mounted to an automobile.

A second embodiment of our new design is identical to the first embodiment. The second embodiment of our new design includes the mirror image of the center console shown in FIGS. 1 to 8.

**1 Claim, 8 Drawing Sheets**



(58) **Field of Classification Search**

CPC ..... B60R 7/04; B60R 7/08  
See application file for complete search history.

(56) **References Cited**

U.S. PATENT DOCUMENTS

6,616,206 B2 \* 9/2003 Luginbill ..... B60N 2/4646  
224/539  
D522,957 S \* 6/2006 Miyashita ..... D12/415  
D568,232 S \* 5/2008 Motozaki ..... D12/421  
D718,218 S 11/2014 Tanaka et al.  
D724,521 S \* 3/2015 Ashley ..... D12/419  
D725,583 S \* 3/2015 Seki ..... D12/419  
9,199,579 B2 \* 12/2015 Gillis ..... B60R 7/04  
D766,811 S \* 9/2016 Shouno ..... D12/419  
D766,812 S \* 9/2016 Kabata ..... D12/423  
D770,361 S \* 11/2016 Chan ..... D12/419  
D770,968 S \* 11/2016 Willis ..... D12/415

FOREIGN PATENT DOCUMENTS

JP D1341442 S 10/2008  
JP D1352674 S 3/2009  
JP D1308928 S 8/2009  
JP D1384126 S 4/2010  
JP D1367250 S 8/2011  
JP D1461197 S 2/2014

\* cited by examiner

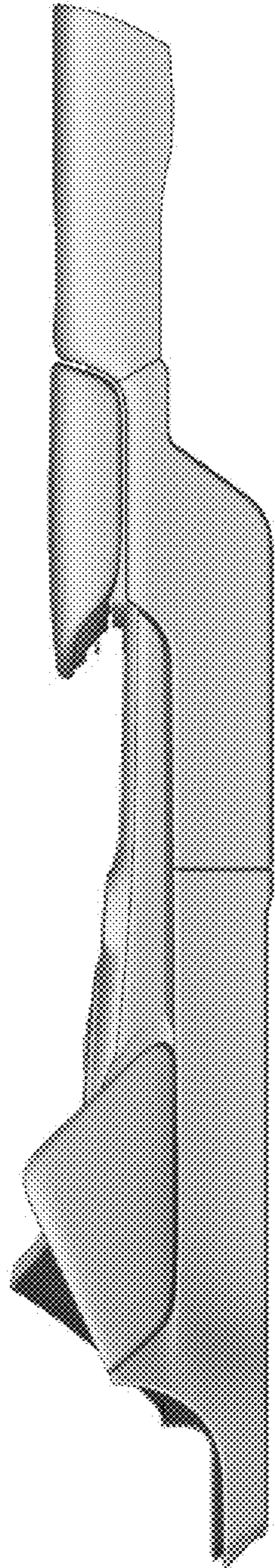


FIG. 1



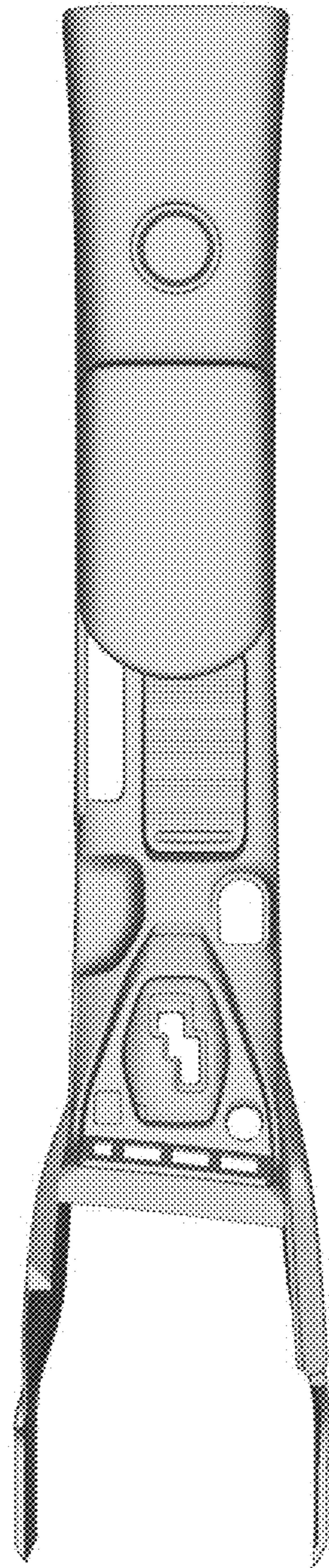


FIG. 2

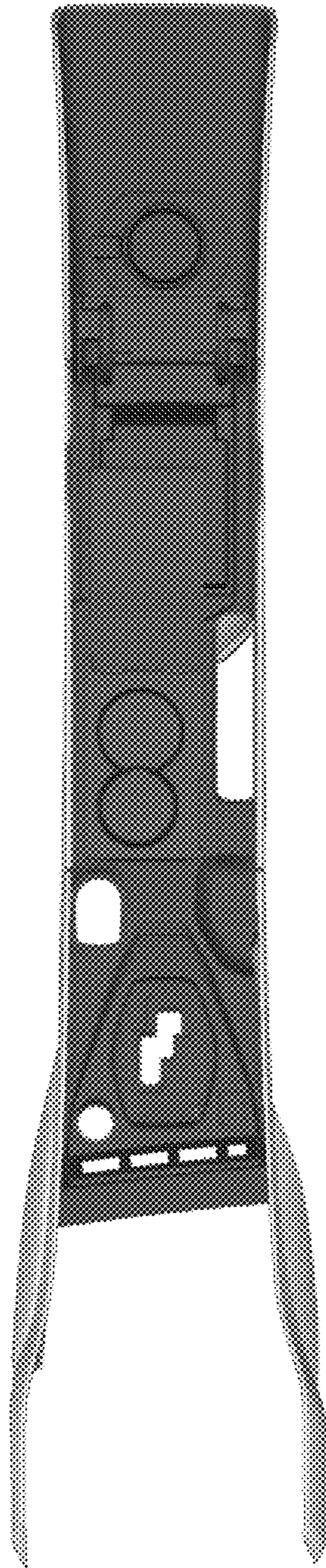


FIG. 3

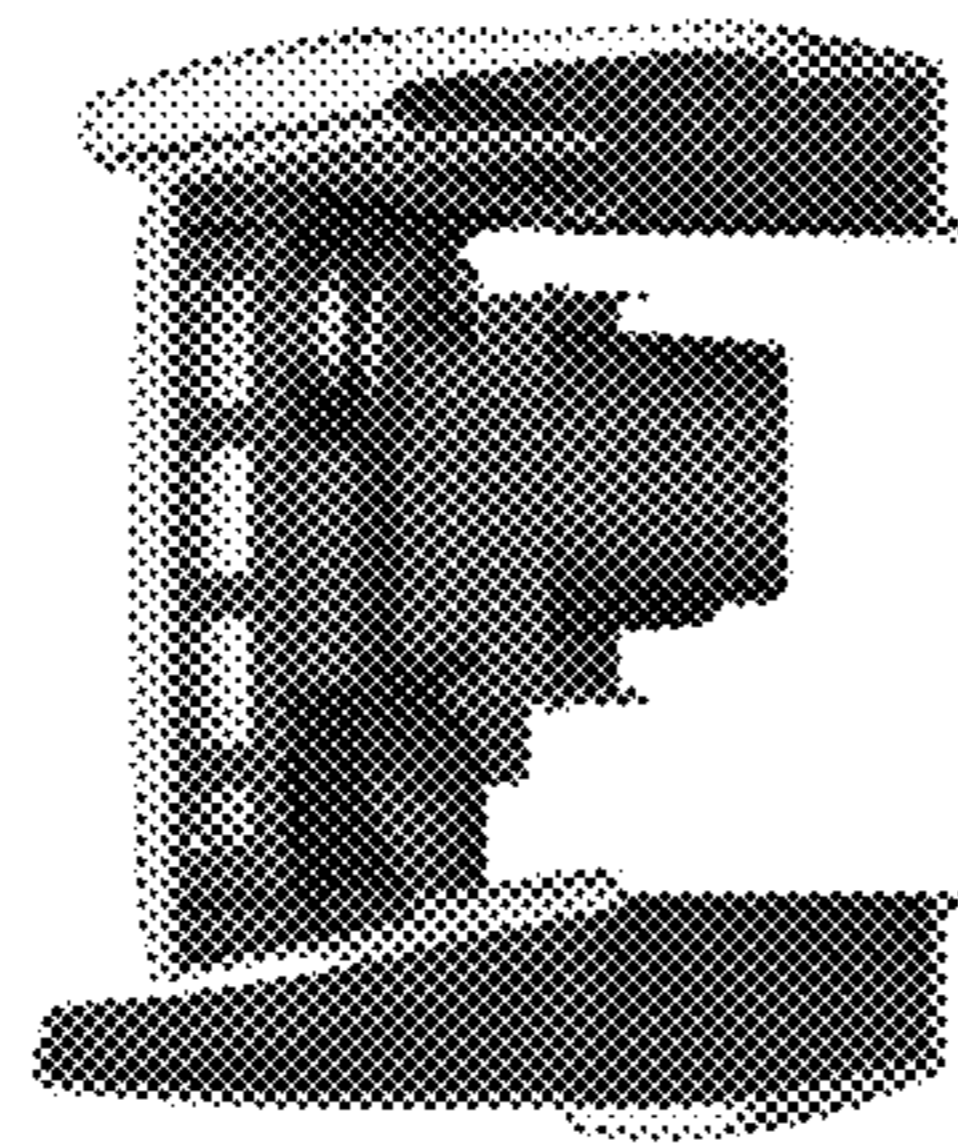


FIG. 4

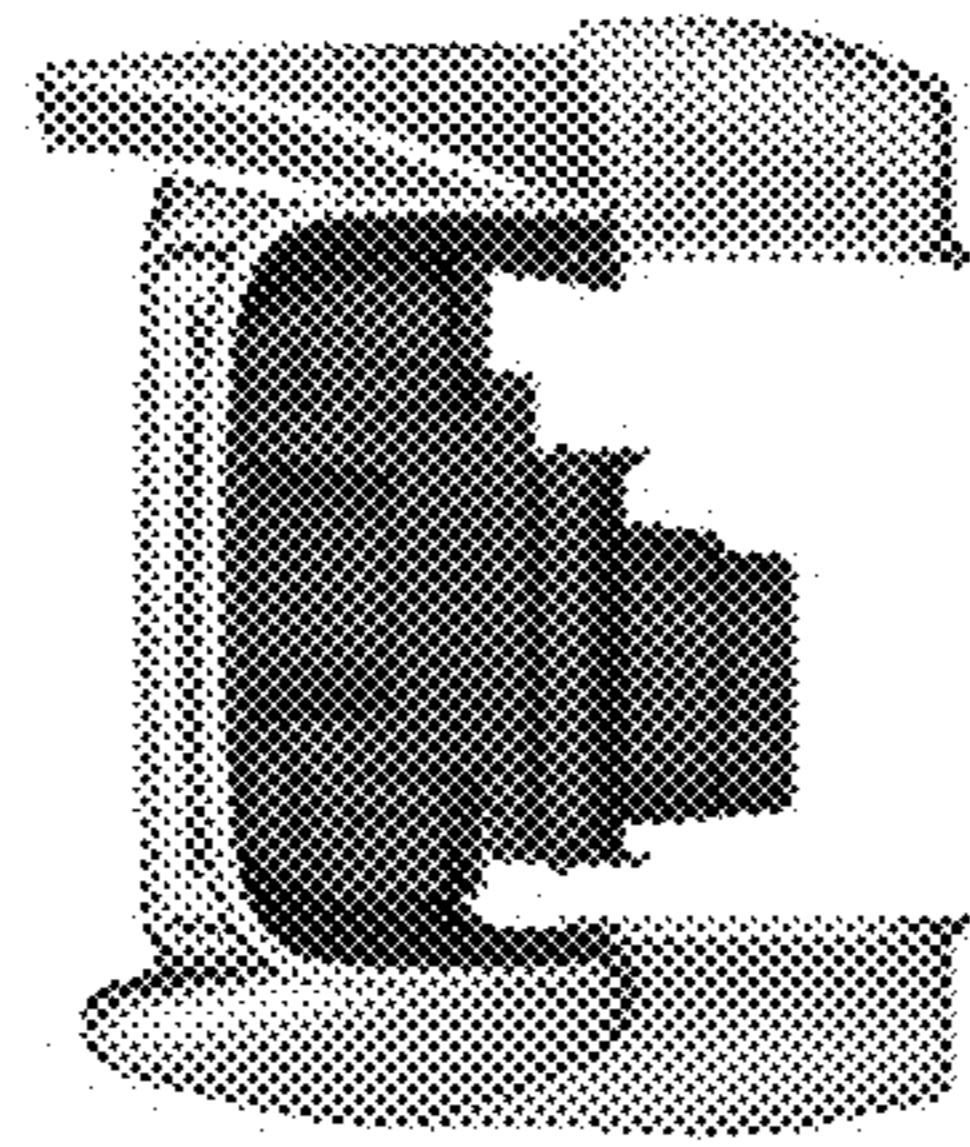


FIG. 5



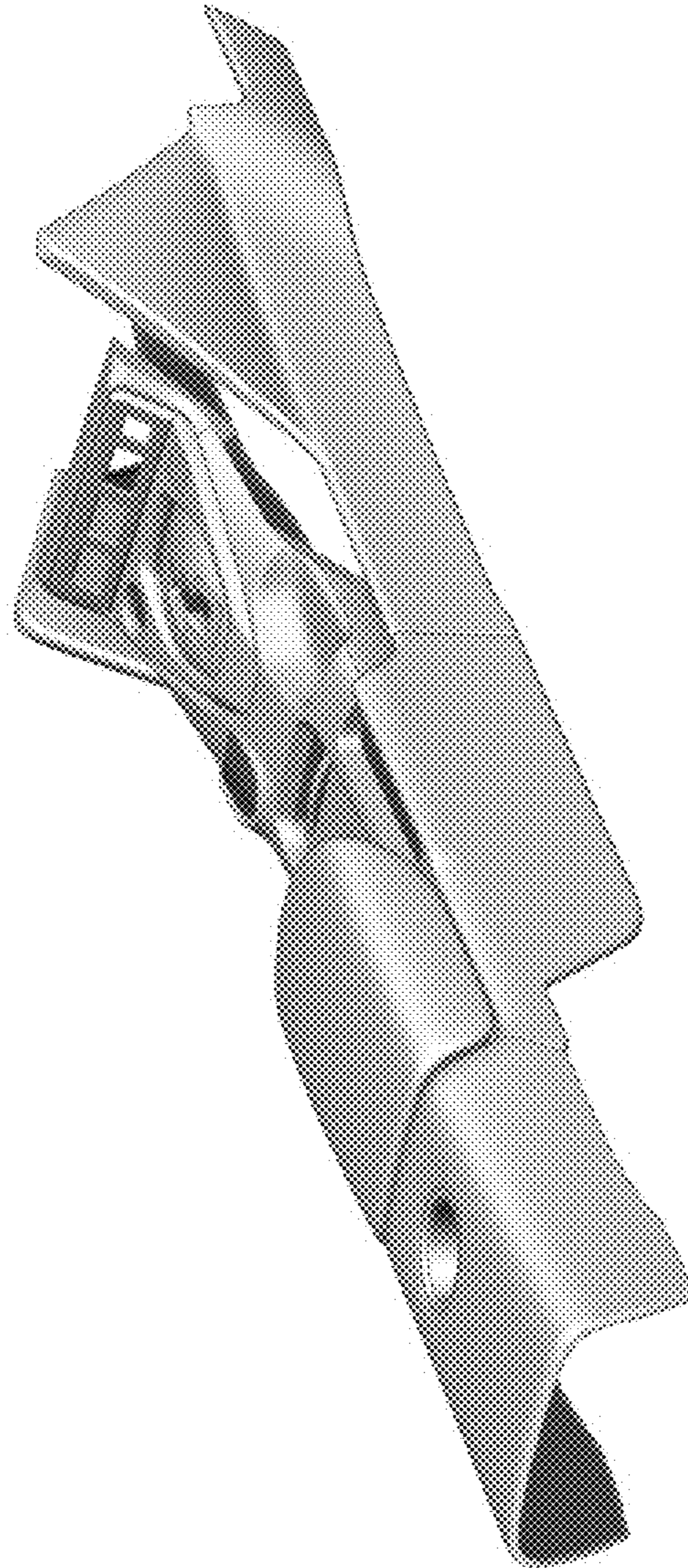


FIG. 6



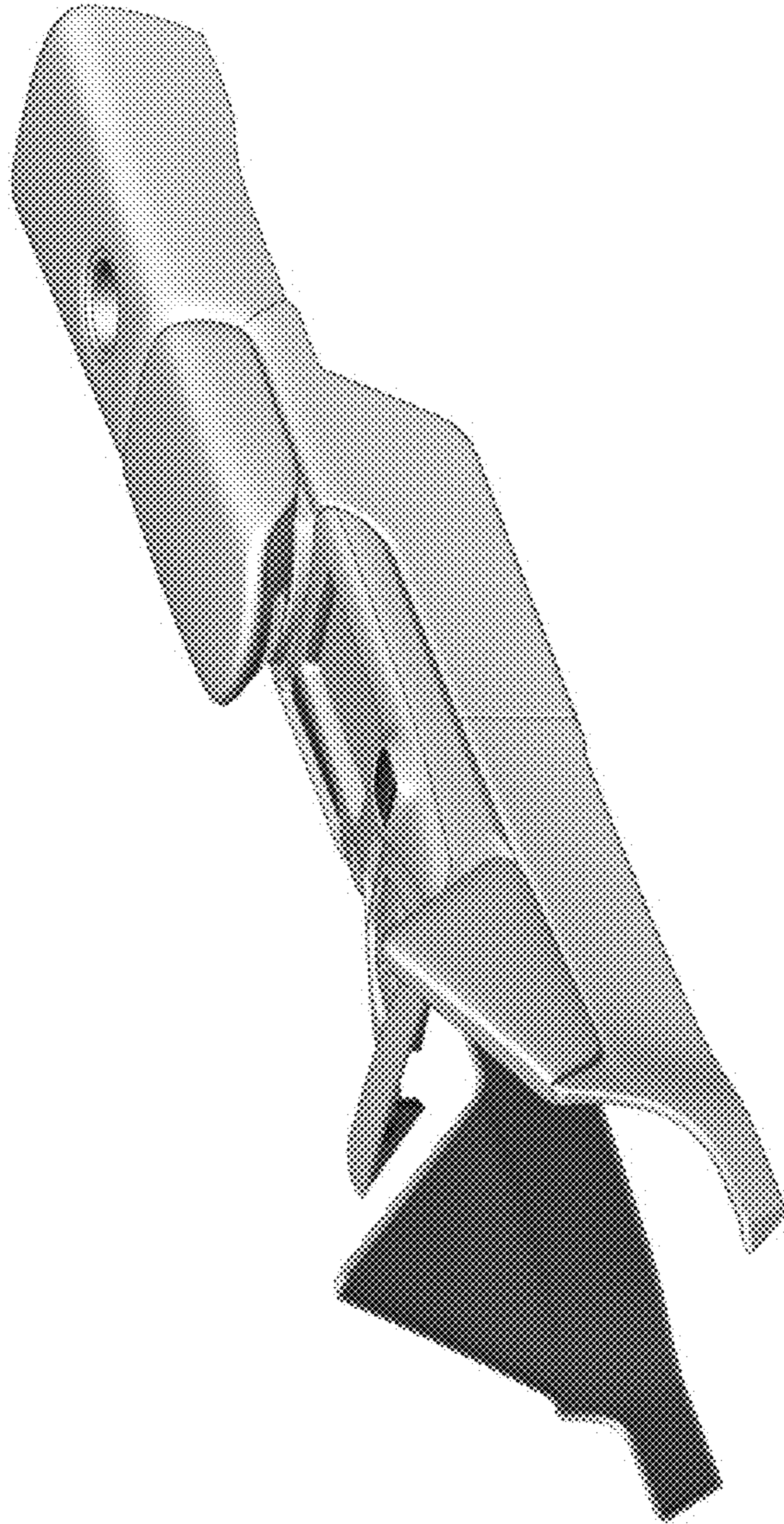


FIG. 7

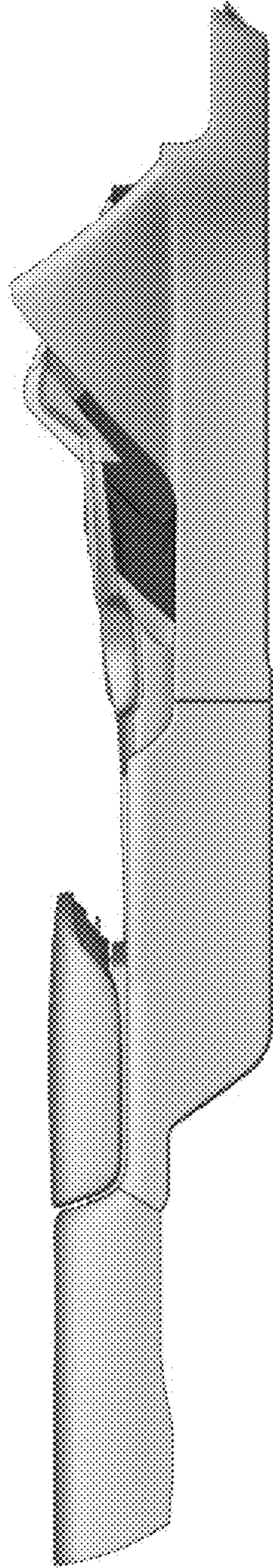


FIG. 8