



US00D781209S

(12) **United States Design Patent**
Houck

(10) **Patent No.:** **US D781,209 S**

(45) **Date of Patent:** **** Mar. 14, 2017**

(54) **MOTORCYCLE AND RECREATIONAL
VEHICLE GARAGE**

(71) Applicant: **Jan Houck**, Ruston, LA (US)

(72) Inventor: **Jan Houck**, Ruston, LA (US)

(**) Term: **15 Years**

(21) Appl. No.: **29/505,719**

(22) Filed: **Jan. 13, 2016**

(51) **LOC (10) Cl.** **12-16**

(52) **U.S. Cl.**
USPC **D12/402**

(58) **Field of Classification Search**
USPC D12/401-405; D6/610, 611, 596, 601,
D6/602, 603, 615, 617, 621; D7/332,
D7/334-337
CPC B62J 19/00; B62J 1/18; B62J 1/26; B62J
1/24; B62J 1/28; B62J 1/22
See application file for complete search history.

(56) **References Cited**

U.S. PATENT DOCUMENTS

3,949,528	A	4/1976	Hartger et al.	
4,306,390	A	12/1981	Brown	
4,982,971	A	1/1991	Marin	
5,265,385	A	11/1993	Smith et al.	
5,414,966	A	5/1995	Montoya	
D391,219	S *	2/1998	Voorhees	D12/402
5,746,237	A	5/1998	Arnic	
D405,045	S *	2/1999	Sauve	D12/402

6,349,732	B1	2/2002	Cooper	
D468,257	S *	1/2003	Roby	D12/402
D546,754	S *	7/2007	Blair	D12/402
D626,060	S *	10/2010	Rians	D12/402
D675,556	S *	2/2013	Isakov	D12/402
D679,771	S *	4/2013	Muggleton	D12/401
D688,619	S *	8/2013	Camara	D12/402
D689,011	S *	9/2013	Isakov	D12/402
D723,451	S *	3/2015	Depew, Jr.	D12/402

* cited by examiner

Primary Examiner — Katrina A Betton

(74) *Attorney, Agent, or Firm* — Richard J. Hammond

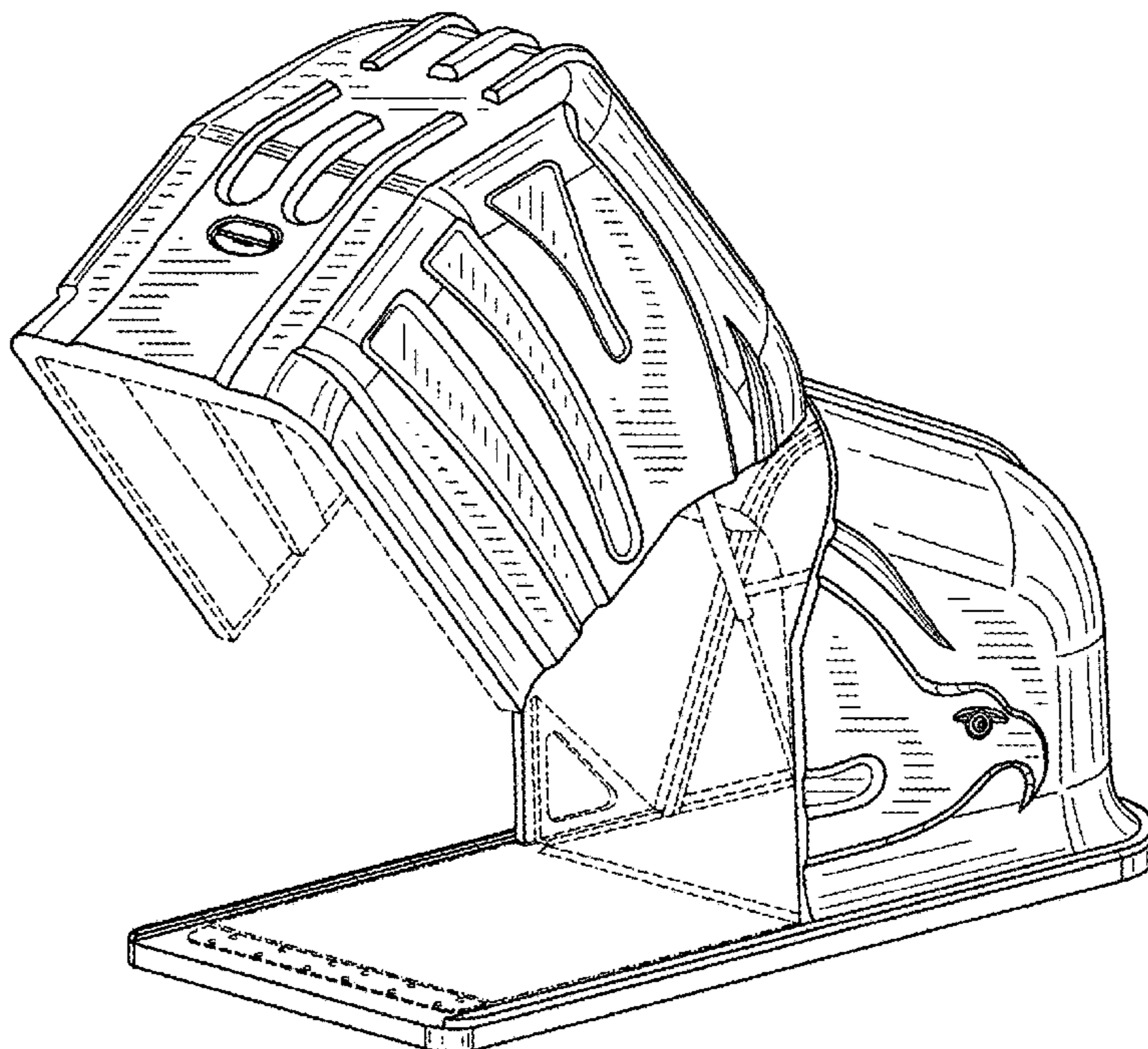
(57) **CLAIM**

The ornamental design for a motorcycle and recreational vehicle garage, as shown and described herein.

DESCRIPTION

FIG. 1—Top, front perspective view of my motorcycle and recreational vehicle garage according my invention;
 FIG. 2—Front elevational view thereof;
 FIG. 3—Rear elevational view thereof;
 FIG. 4—Right side elevational view thereof;
 FIG. 5—Left side elevational view thereof;
 FIG. 6—Top plan view thereof;
 FIG. 7—Bottom plan view thereof;
 FIG. 8—Front perspective view thereof with open hatch;
 and,
 FIG. 9—Rear perspective view thereof with open hatch.
 Broken lines are environmental only and form no part of the claimed design.

1 Claim, 8 Drawing Sheets



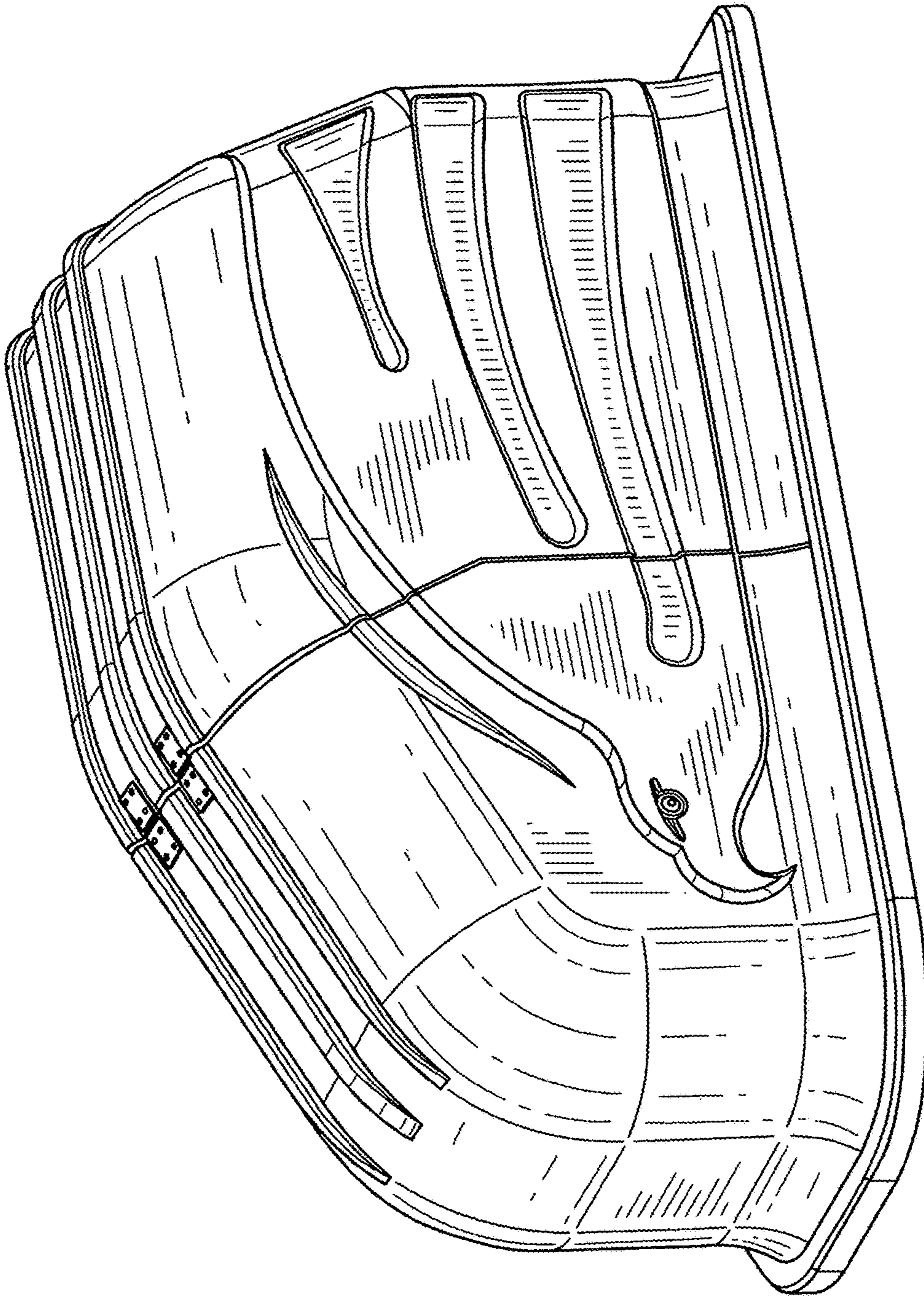


FIG. 1

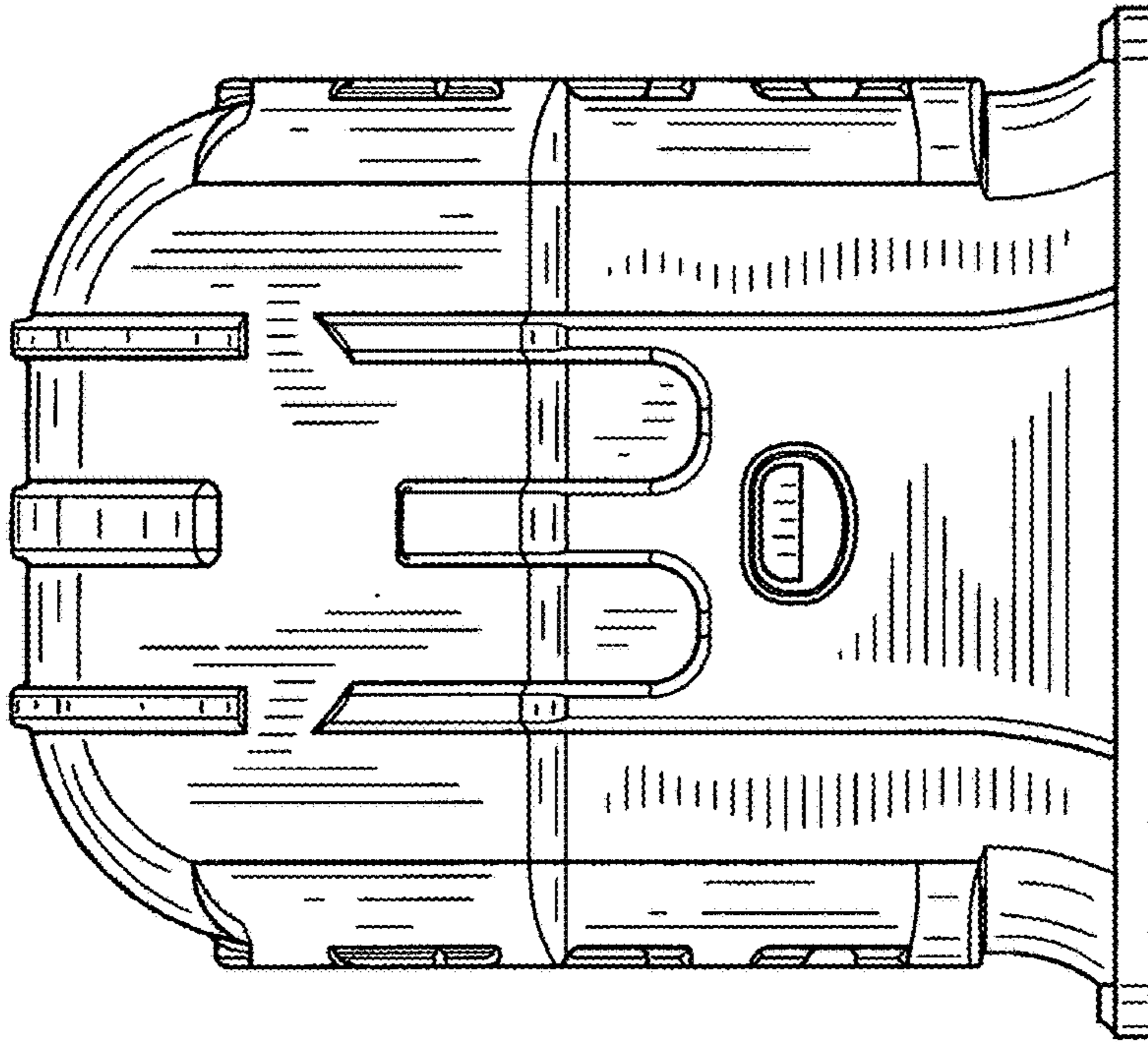


FIG. 3

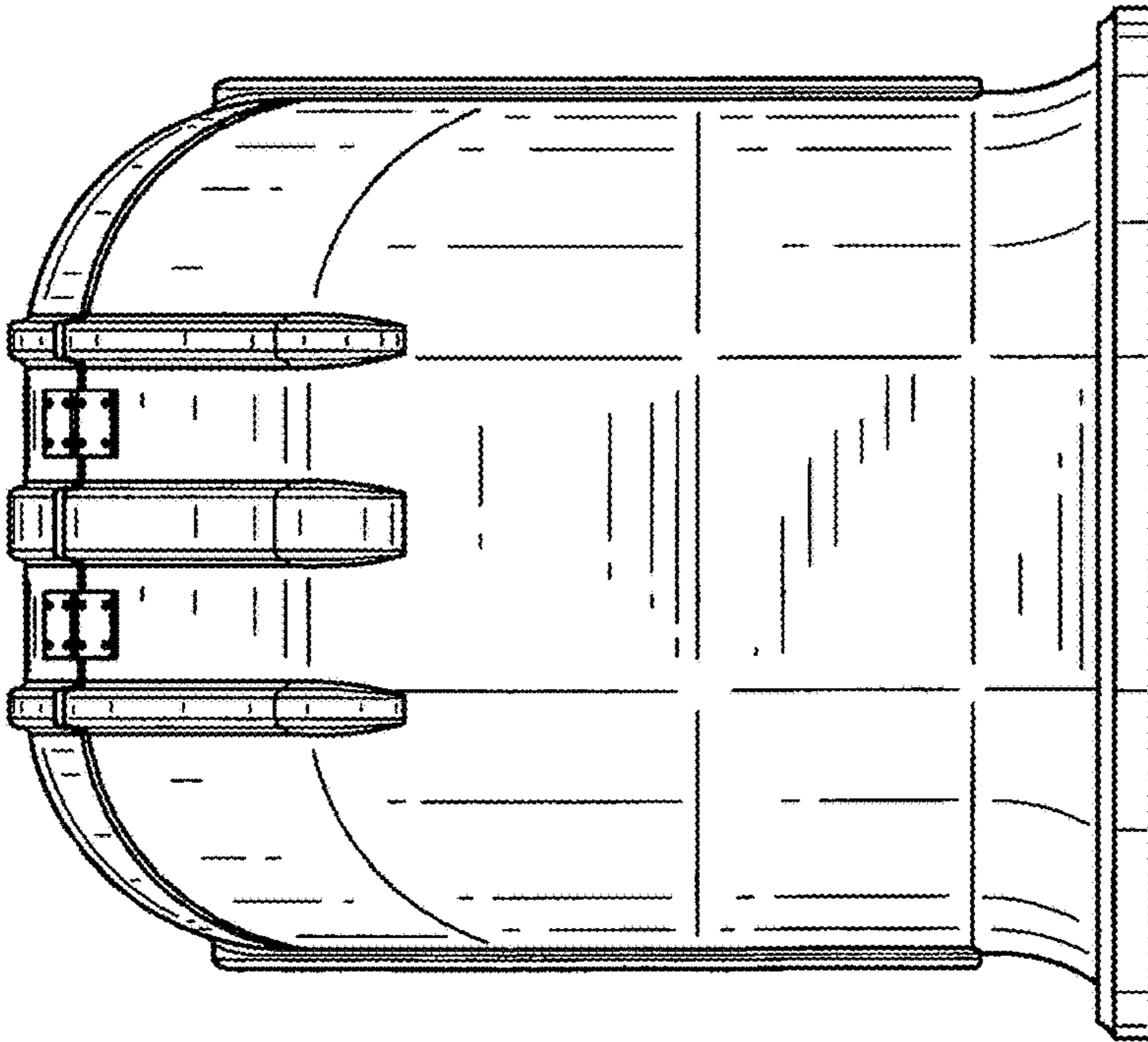


FIG. 2

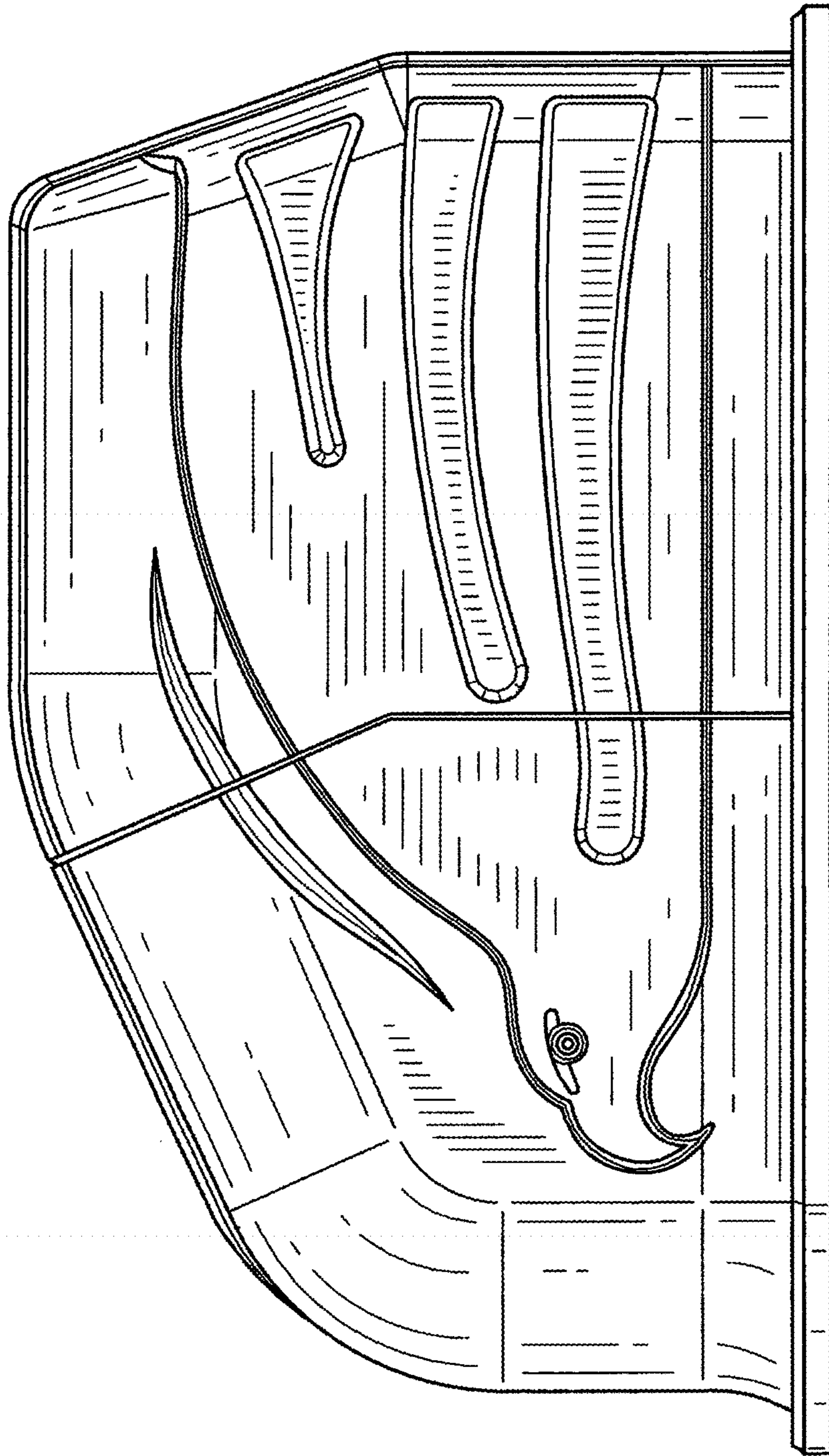


FIG. 4

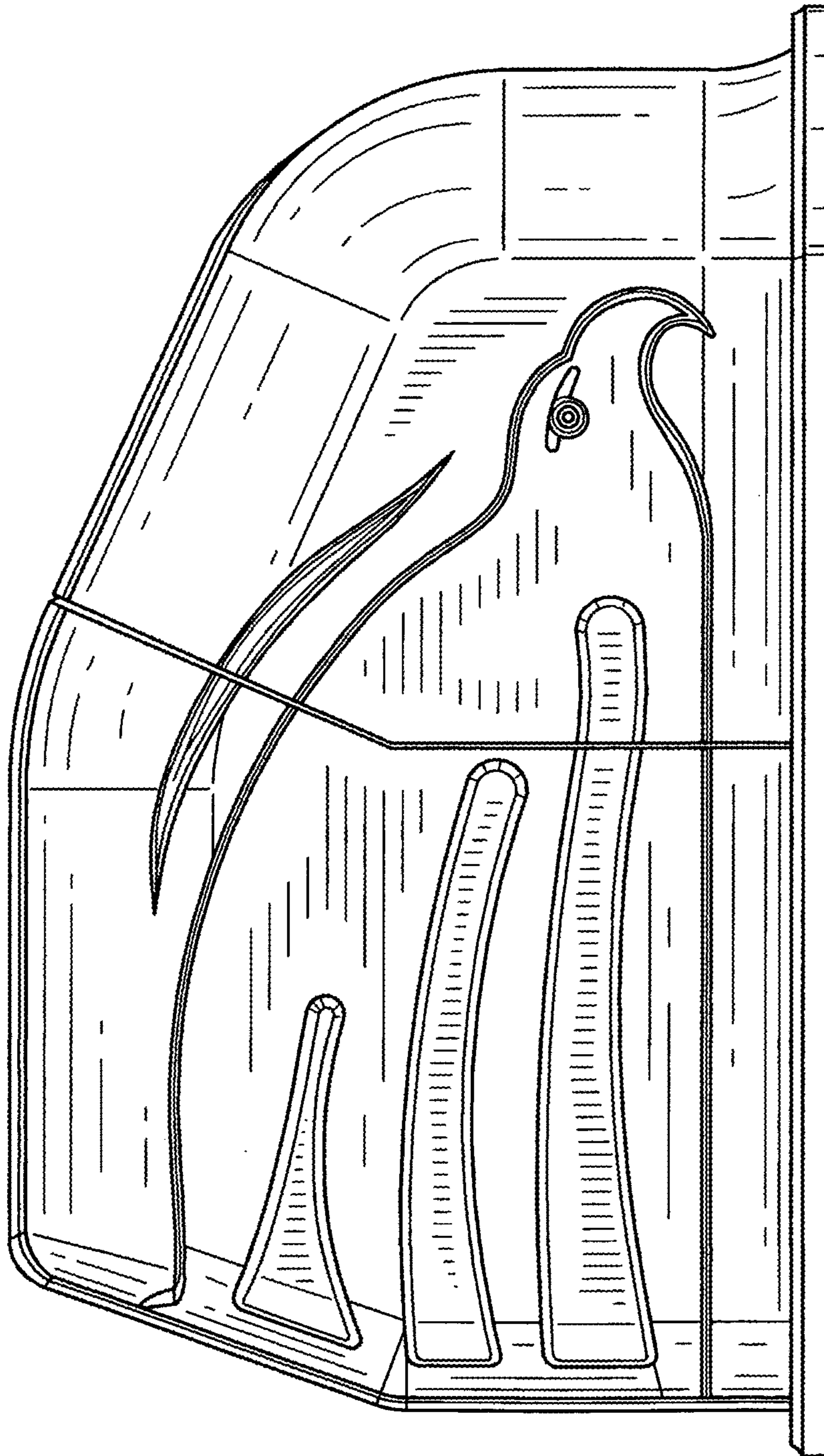


FIG. 5

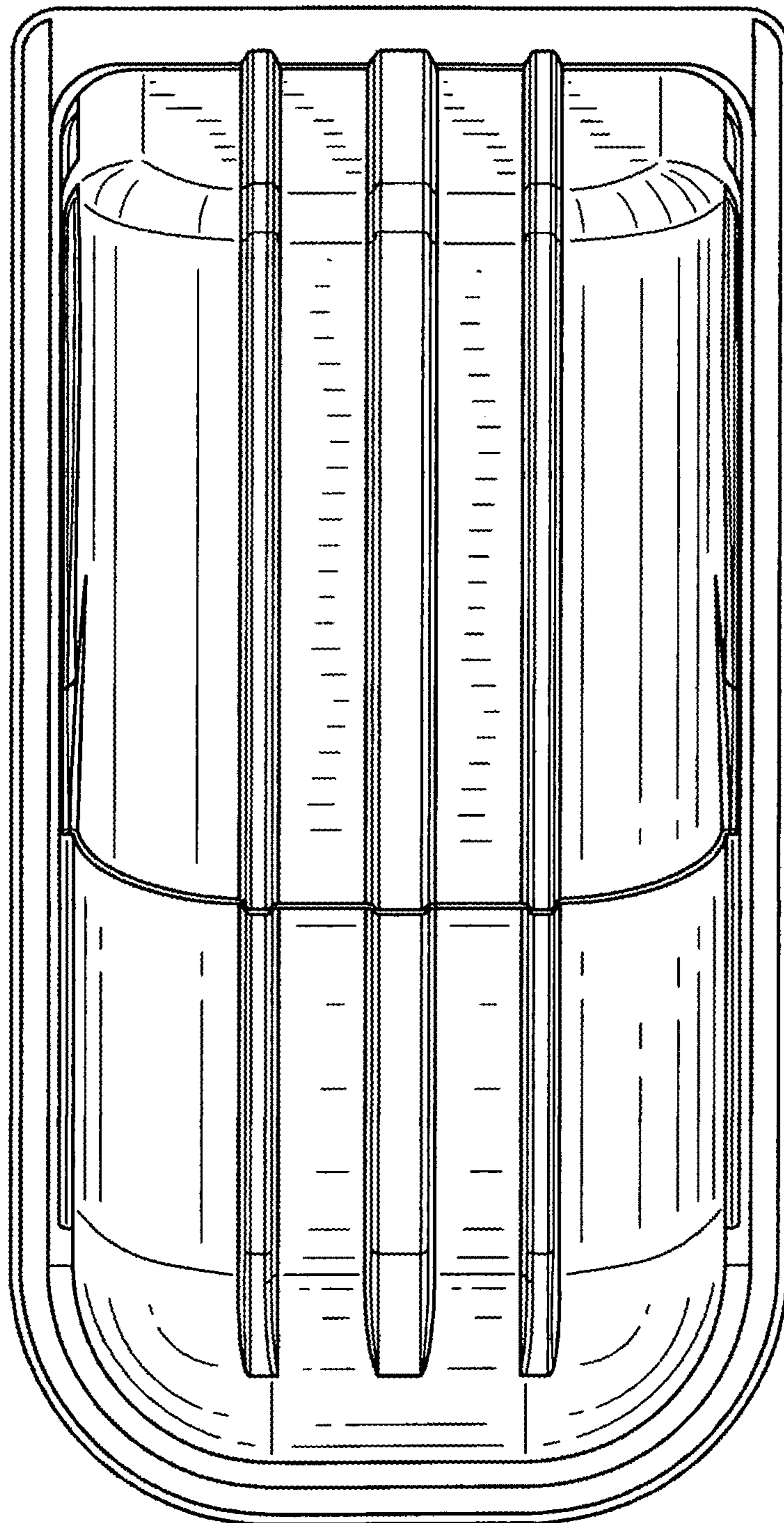


FIG. 6

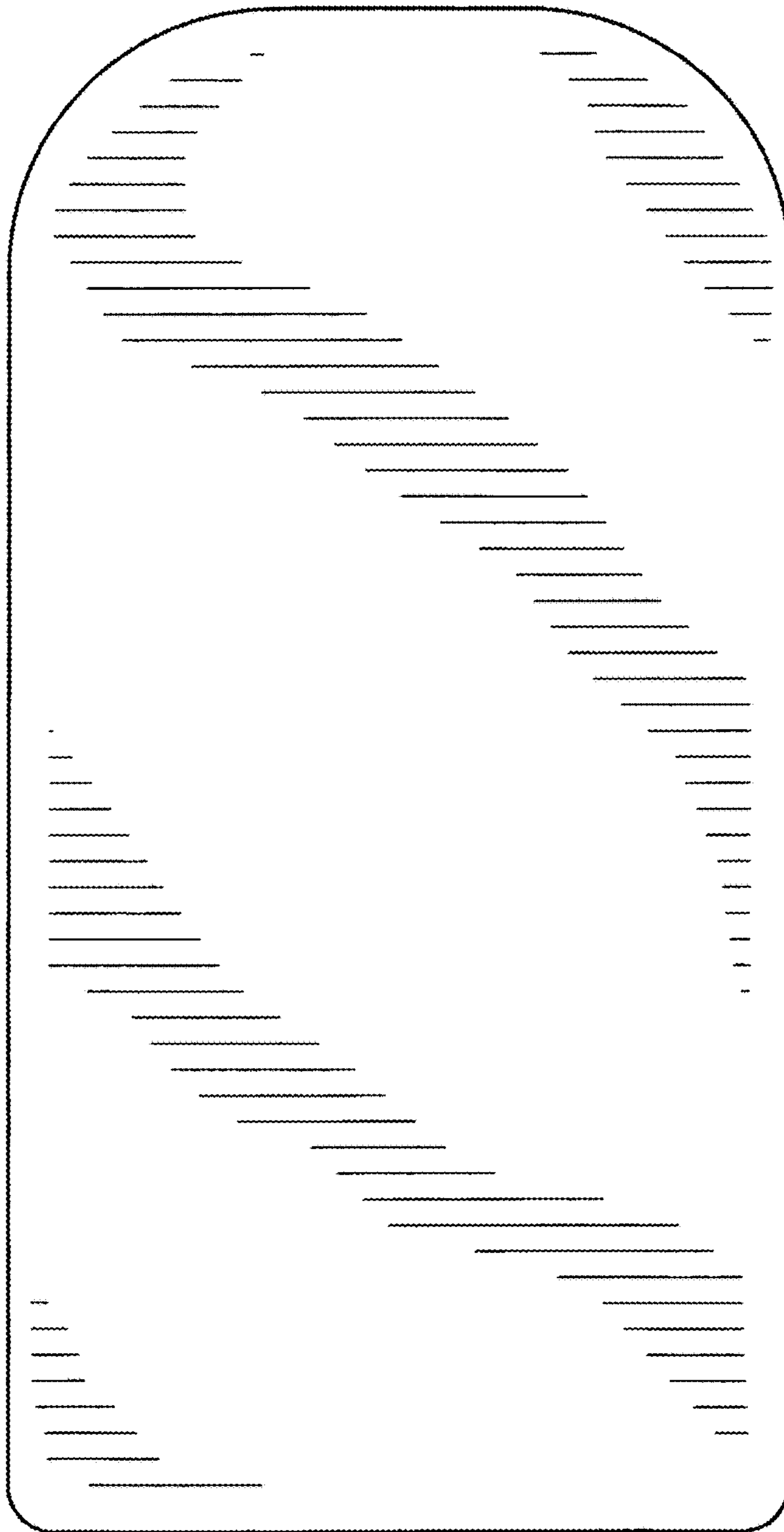


FIG. 7

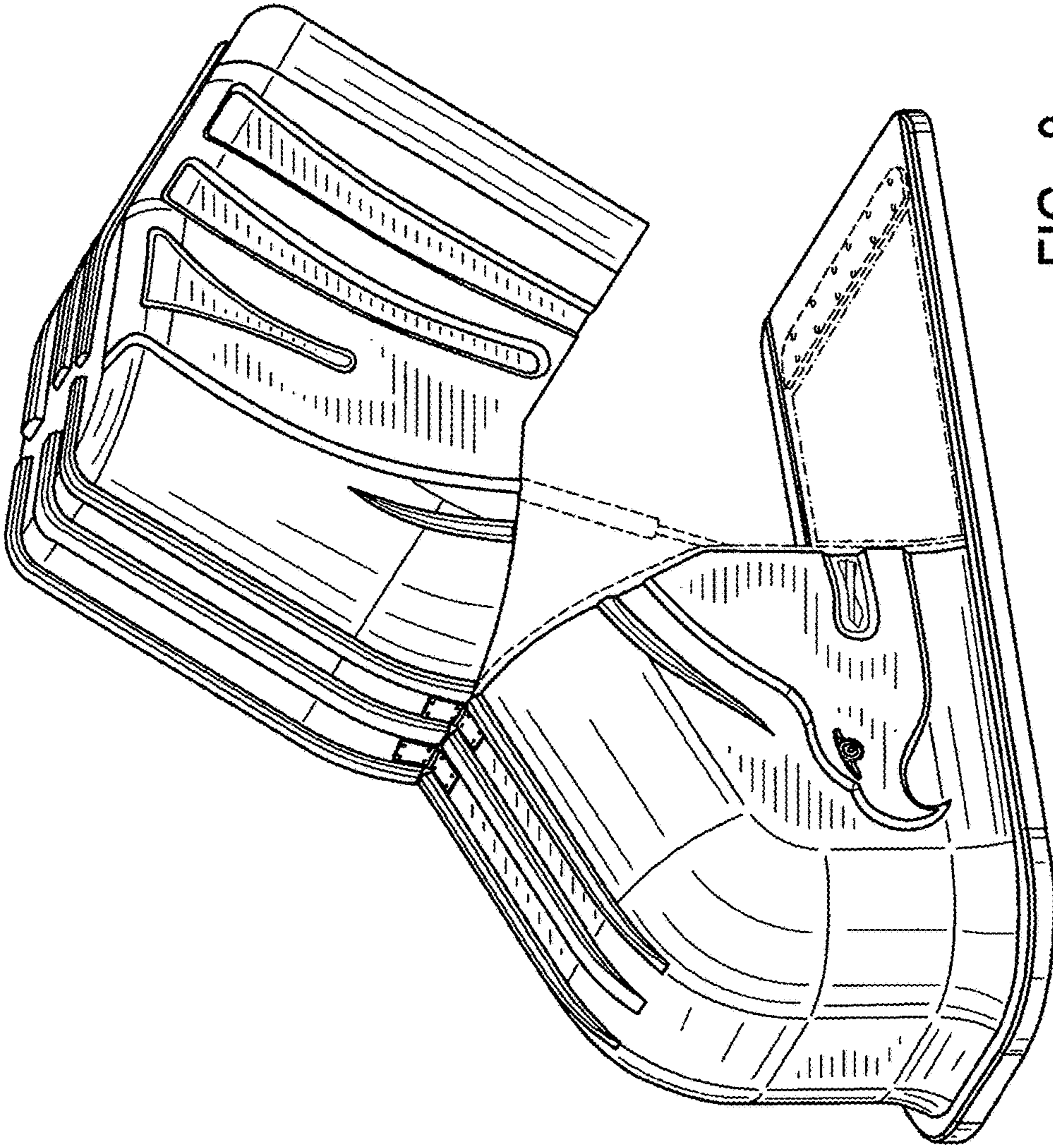


FIG. 8

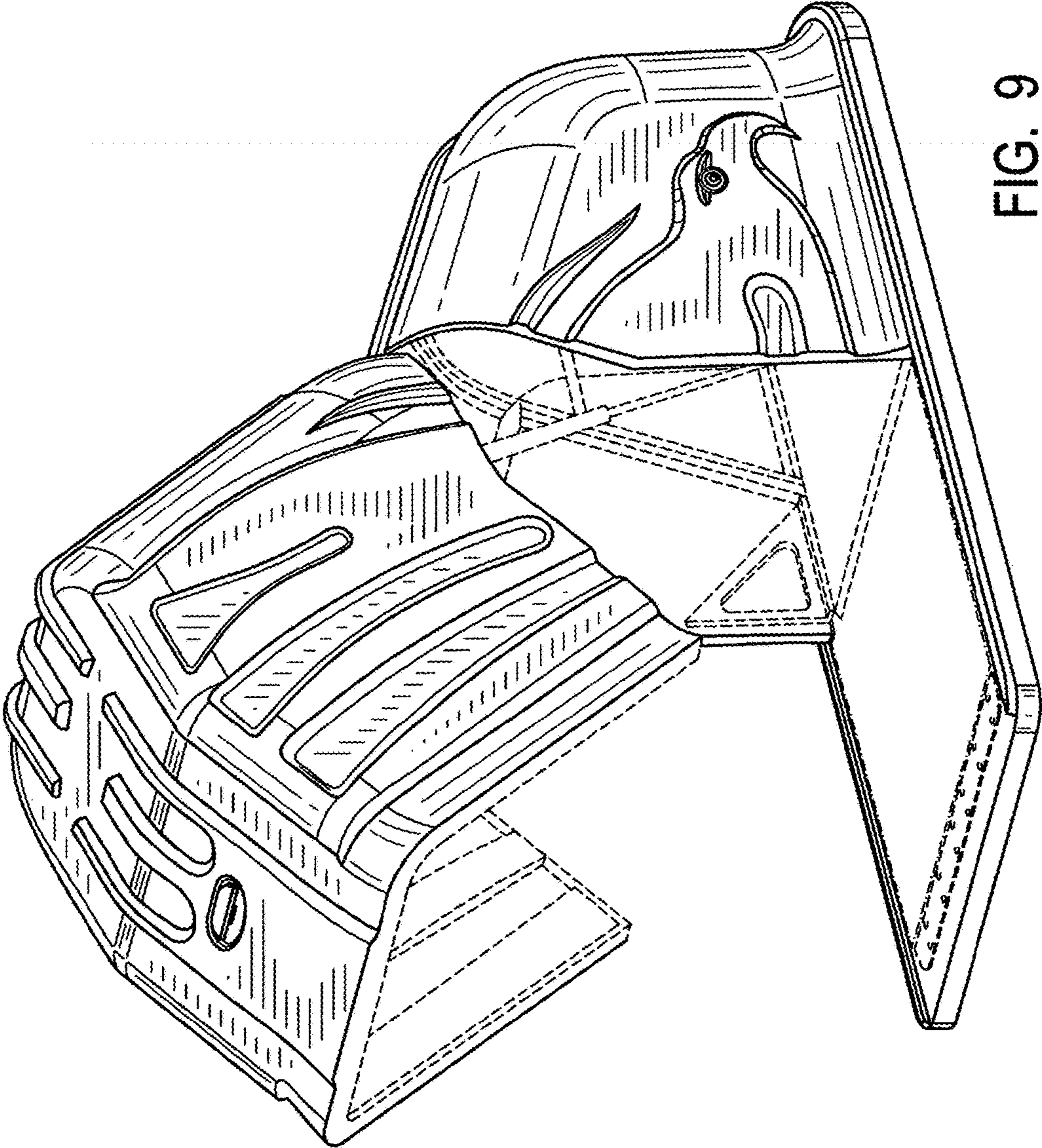


FIG. 9