



US00D781207S

(12) **United States Design Patent**  
**Johnson**

(10) **Patent No.:** **US D781,207 S**

(45) **Date of Patent:** **\*\* Mar. 14, 2017**

(54) **VEHICLE ROOFTOP**

(71) Applicant: **Twist Initiative LLC**, Riverview, FL  
(US)

(72) Inventor: **Douglas A Johnson**, Riverview, FL  
(US)

(73) Assignee: **Douglas Andrew Johnson**, Riverview,  
FL (US)

(\*\*) Term: **15 Years**

(21) Appl. No.: **29/538,241**

(22) Filed: **Sep. 2, 2015**

(51) **LOC (10) Cl.** ..... **12-06**

(52) **U.S. Cl.**  
USPC ..... **D12/222**

(58) **Field of Classification Search**  
USPC ..... D12/222, 223, 400, 401, 404, 406, 412,  
D12/414, 86, 93, 101; D6/552  
CPC ..... B60R 27/00; B60J 1/06  
See application file for complete search history.

(56) **References Cited**

**U.S. PATENT DOCUMENTS**

D513,223 S \* 12/2005 Saito ..... D12/14  
D654,844 S \* 2/2012 Pinto ..... D12/222

D655,668 S \* 3/2012 Levorato ..... D12/222  
D758,281 S \* 6/2016 Galloway ..... D12/222  
D761,713 S \* 7/2016 Hensley ..... D12/222  
D766,157 S \* 9/2016 Reynolds ..... D12/222  
2008/0238065 A1\* 10/2008 Hart ..... B60R 21/13  
280/756

\* cited by examiner

*Primary Examiner* — Katrina A Betton

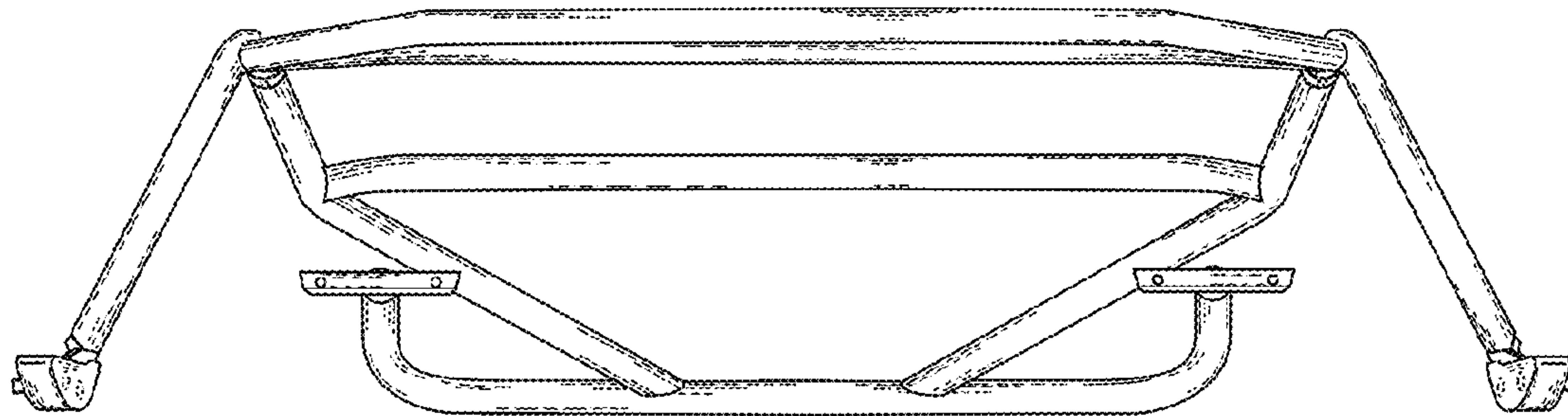
(57) **CLAIM**

The ornamental design for a vehicle rooftop, as shown and described.

**DESCRIPTION**

FIG. 1 is a top plan view of a vehicle rooftop showing my new design;  
FIG. 2 is a bottom plan view thereof;  
FIG. 3 is a front elevational view thereof;  
FIG. 4 is a rear elevational view thereof;  
FIG. 5 is a right side elevational view thereof;  
FIG. 6 is a left side elevational view thereof;  
FIG. 7 is a rear perspective view thereof; and,  
FIG. 8 is a right-side perspective view thereof.  
The broken line showing of fasteners and holes is included for the purpose of illustrating environmental structure and forms no part of the claimed design.

**1 Claim, 8 Drawing Sheets**



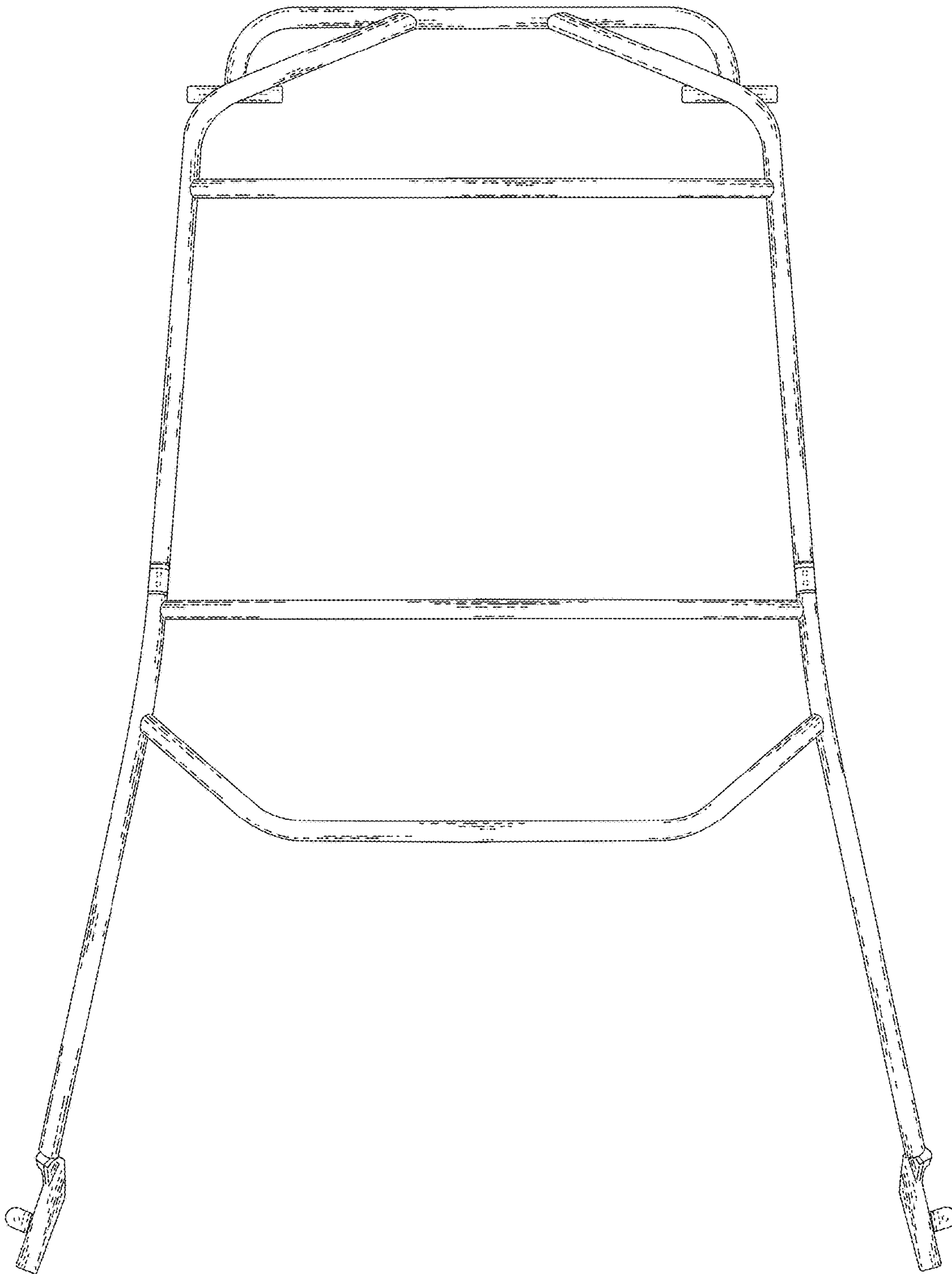


FIG. 1

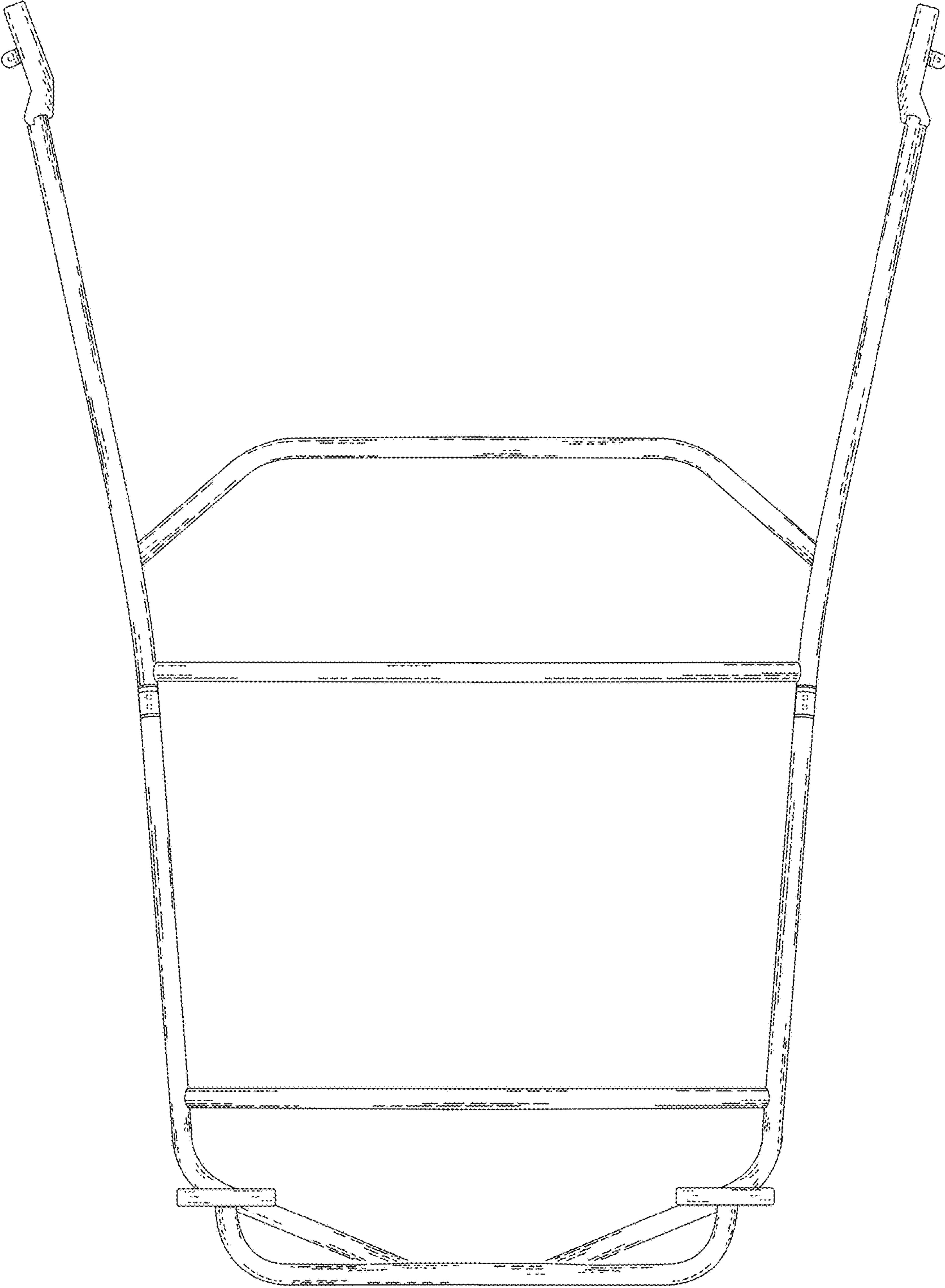


FIG. 2

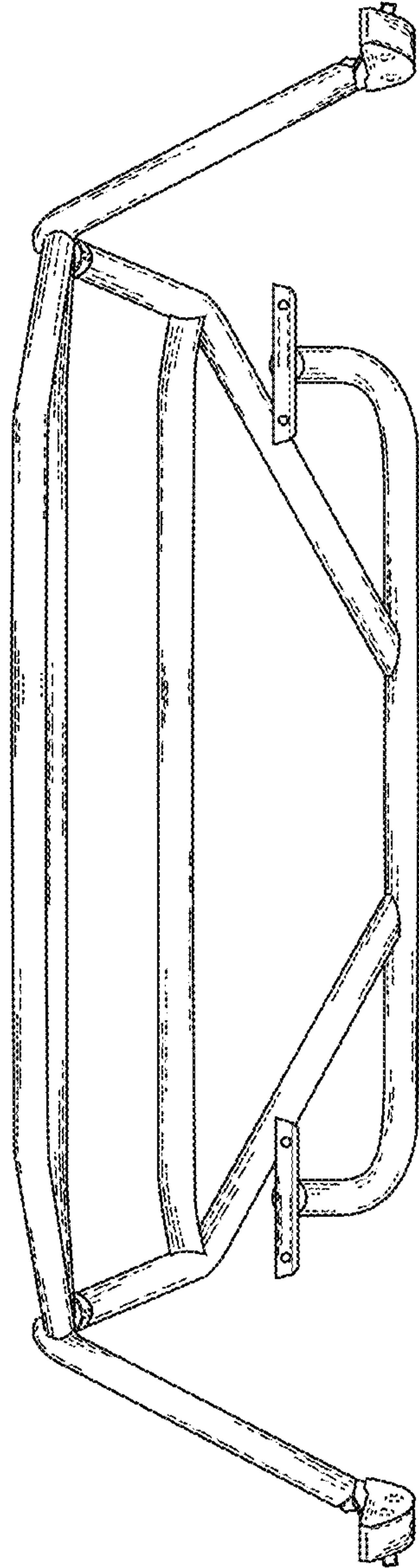


FIG. 3

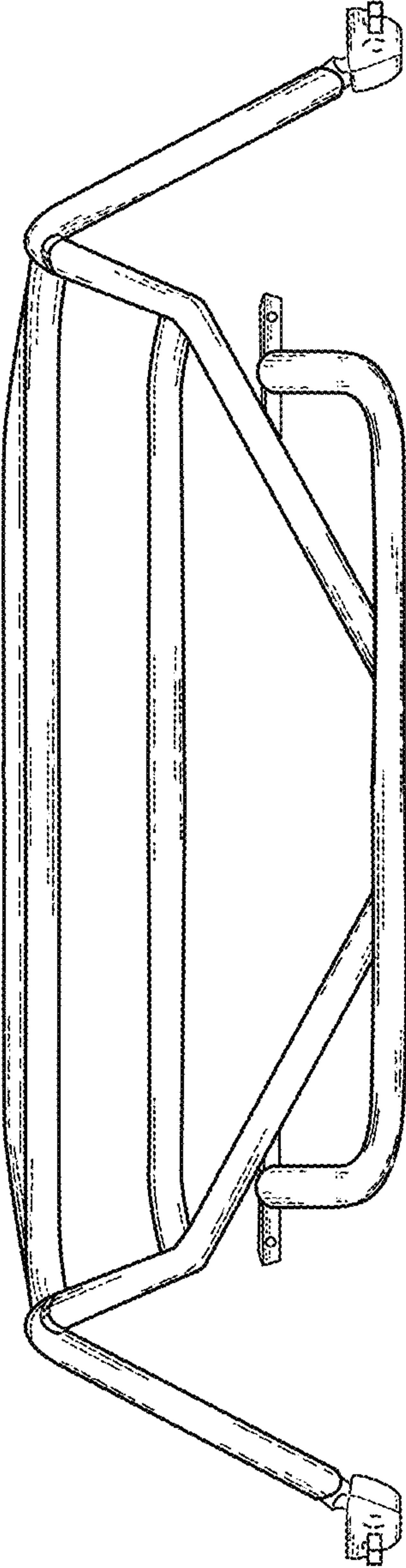


FIG. 4

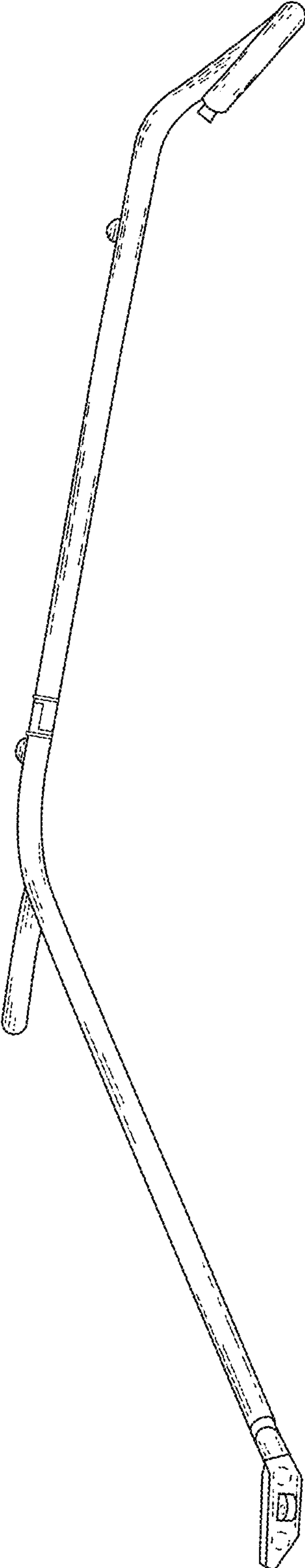


FIG. 5



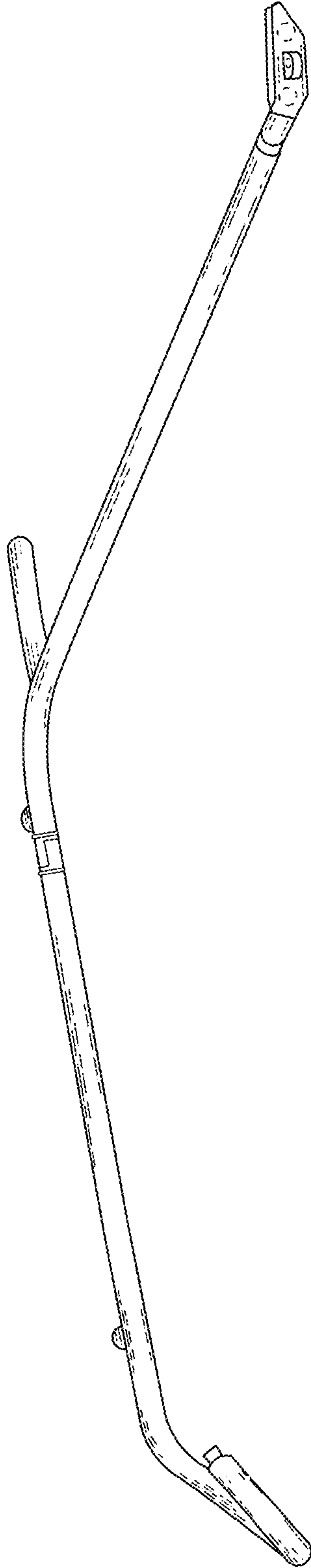


FIG. 6

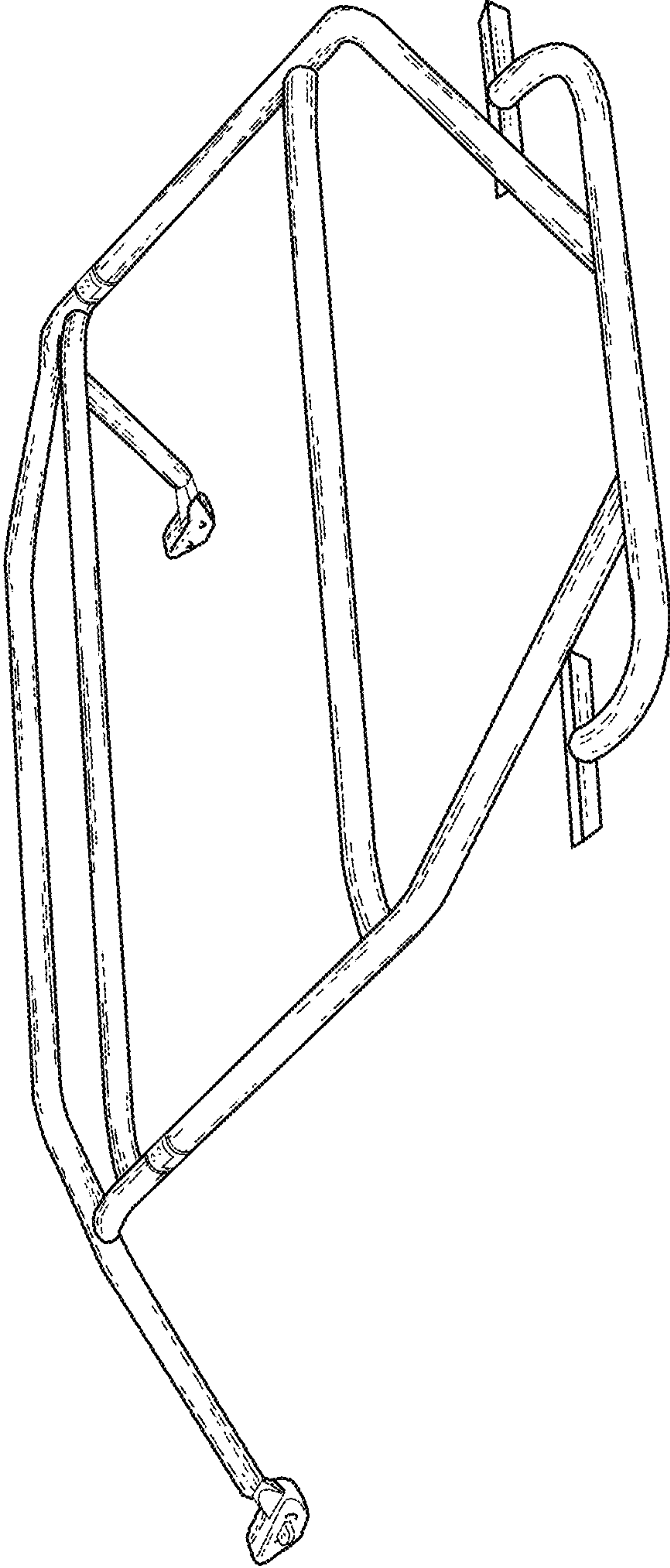


FIG. 7



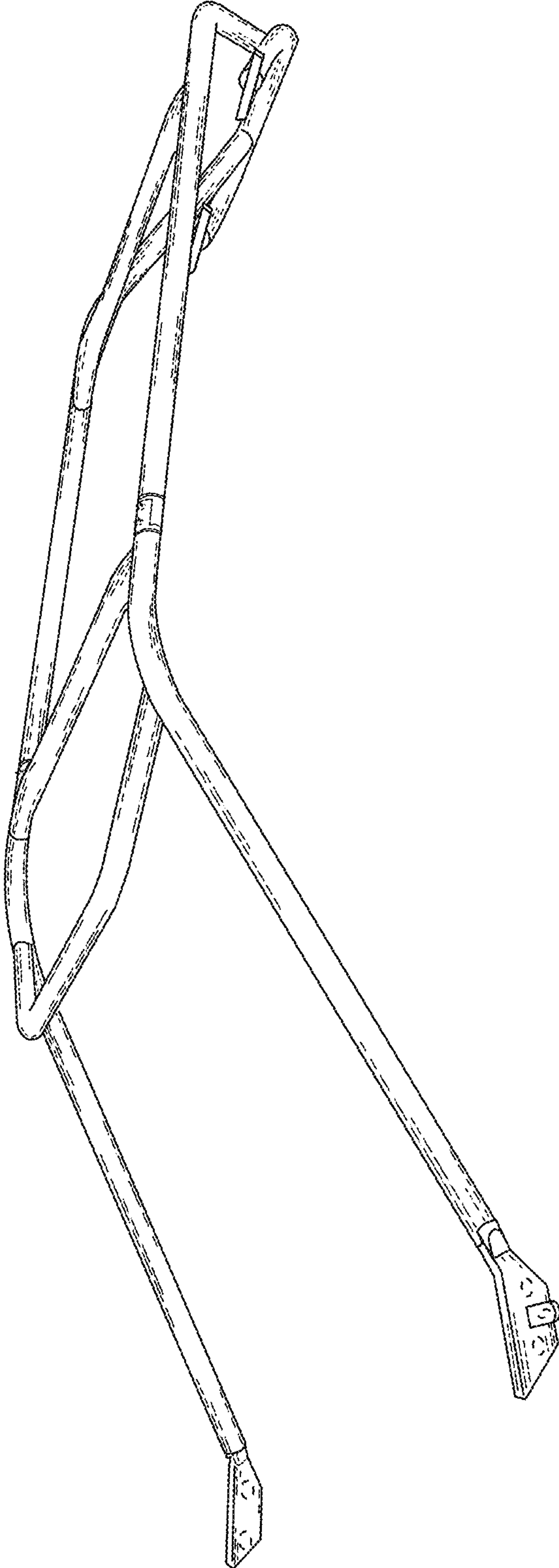


FIG. 8