



US00D781206S

(12) **United States Design Patent**  
**Giolito**

(10) **Patent No.:** **US D781,206 S**

(45) **Date of Patent:** **\*\* Mar. 14, 2017**

(54) **WHEEL**

(71) Applicant: **FCA Italy S.p.A.**, Turin (IT)

(72) Inventor: **Roberto Giolito**, Turin (IT)

(73) Assignee: **FCA ITALY S.p.A.**, Turin (IT)

(\*\*) Term: **15 Years**

(21) Appl. No.: **29/544,864**

(22) Filed: **Nov. 6, 2015**

(30) **Foreign Application Priority Data**

May 21, 2015 (EM) ..... 002704932

(51) **LOC (10) Cl.** ..... **12-16**

(52) **U.S. Cl.**  
USPC ..... **D12/211**

(58) **Field of Classification Search**  
USPC ..... D12/204, 205, 206, 207, 208, 209, 210,  
D12/211, 212, 213

CPC .... B60B 7/00; B60B 7/01; B60B 7/02; B60B  
7/04; B60B 7/06; B60B 3/02; B60B 3/04;  
B60B 3/06; B60B 3/10; B60B 1/00;  
B60B 1/08; B60B 1/10; B60B 1/12

See application file for complete search history.

(56) **References Cited**

**U.S. PATENT DOCUMENTS**

D421,953 S \* 3/2000 Sims ..... D12/211  
D499,686 S \* 12/2004 Song ..... D12/211  
D527,333 S \* 8/2006 Blasi ..... D12/211  
D613,230 S \* 4/2010 Antoniadis ..... D12/211

D632,240 S \* 2/2011 Szews ..... D12/211  
D671,881 S \* 12/2012 Roura ..... D12/211  
D682,181 S \* 5/2013 Zhao ..... D12/211  
D685,312 S \* 7/2013 Zhao ..... D12/211  
D690,252 S \* 9/2013 Bernoni ..... D12/211  
D722,547 S \* 2/2015 Zhao ..... D12/211  
D737,190 S \* 8/2015 Kern ..... D12/211  
D744,929 S \* 12/2015 Zhao ..... D12/211  
D748,558 S \* 2/2016 Hans ..... D12/211

**OTHER PUBLICATIONS**

<http://www.collegehillshonda.com/product/08W19-TE0-102.html>—Retrieved Aug. 29, 2016.\*

\* cited by examiner

*Primary Examiner* — Manpreet Matharu

*Assistant Examiner* — Mojtaba Tehrani

(74) *Attorney, Agent, or Firm* — Cowan, Liebowitz & Latman, P.C.

(57) **CLAIM**

The ornamental design for a wheel, as shown and described.

**DESCRIPTION**

FIG. 1 is a perspective view of the wheel showing my design thereof;

FIG. 2 is a front view thereof;

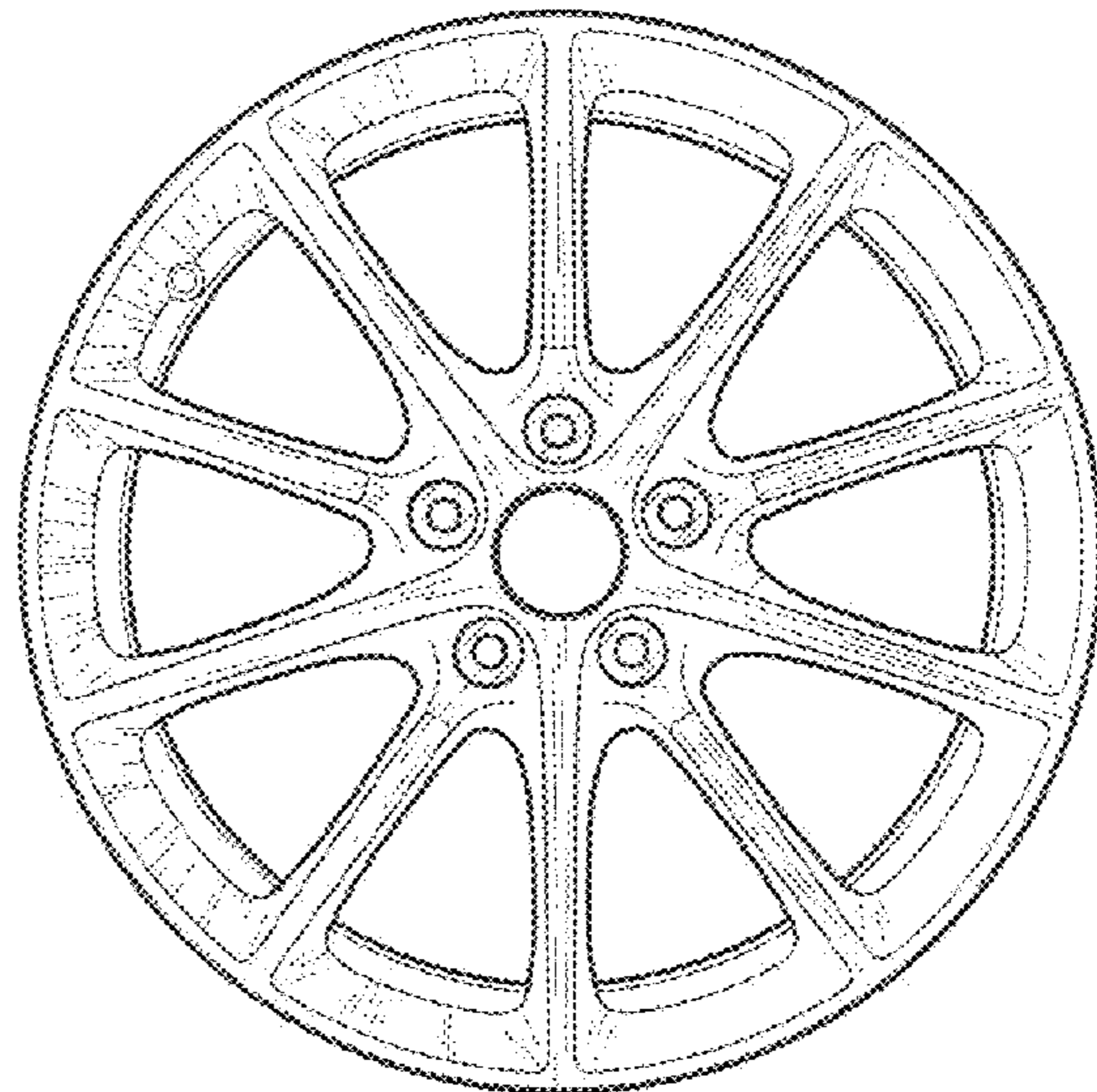
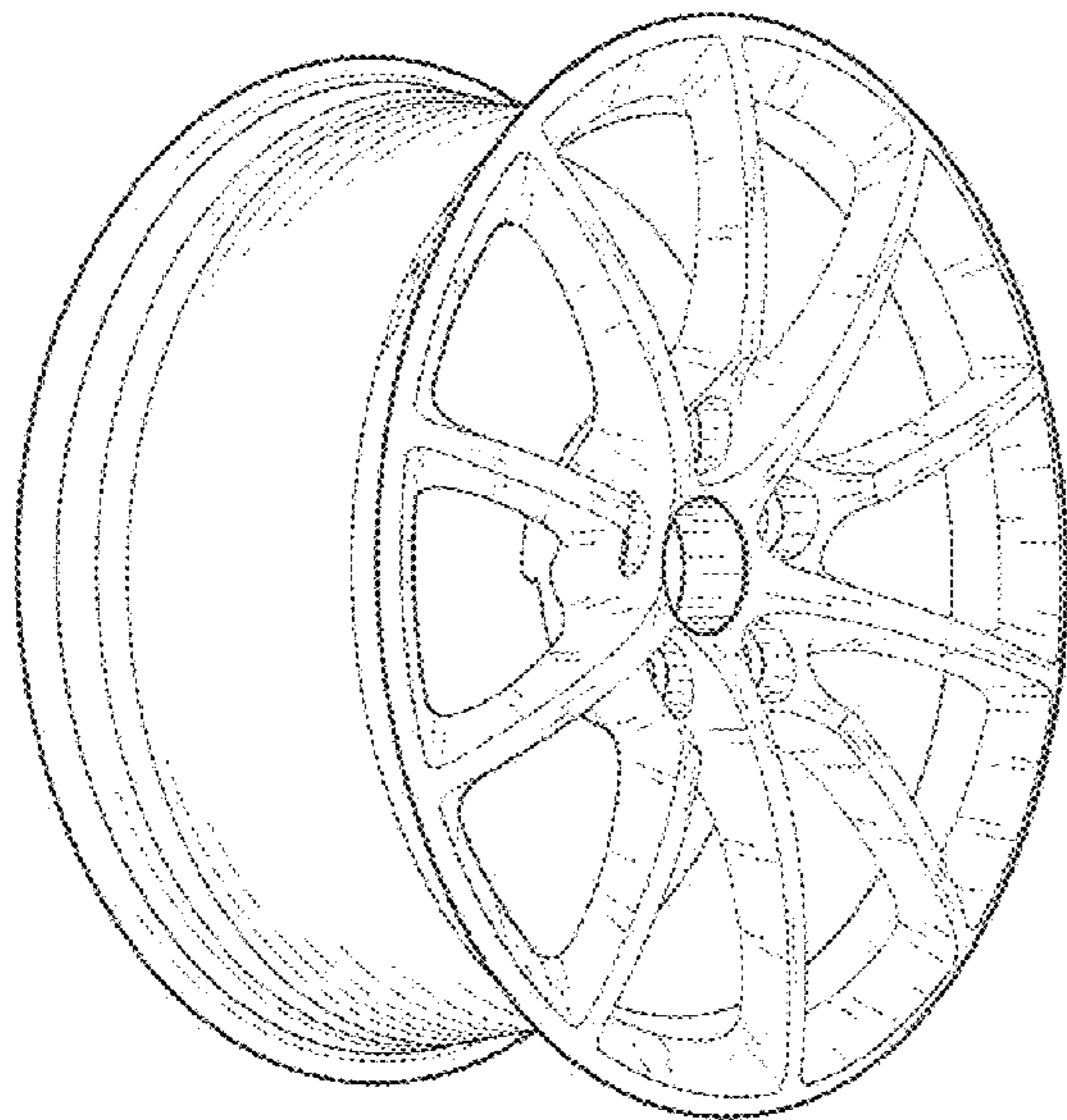
FIG. 3 is a right side view thereof;

FIG. 4 is a left side view thereof;

FIG. 5 is a top view thereof; and,

FIG. 6 is a bottom view thereof.

**1 Claim, 6 Drawing Sheets**



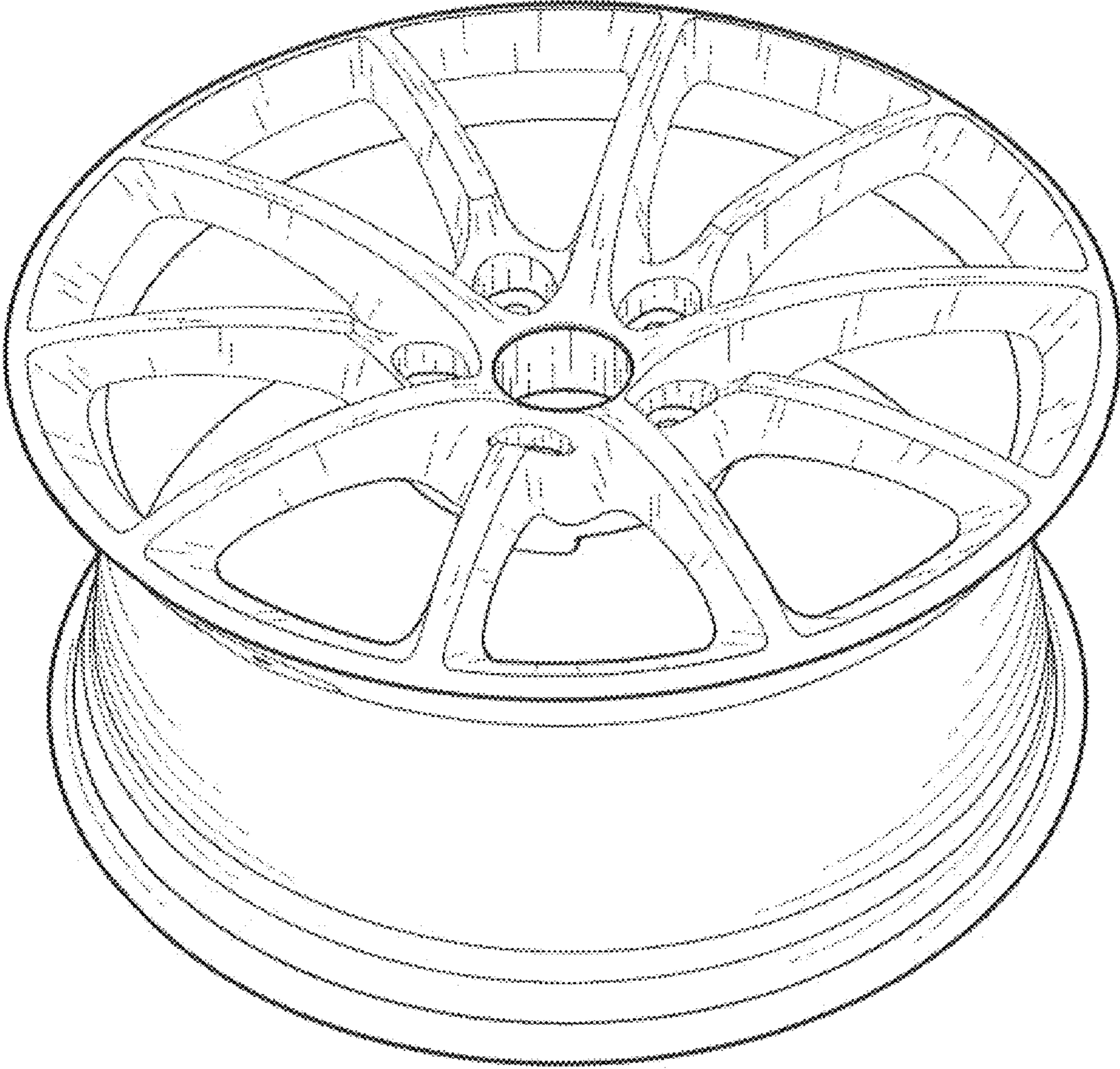


Fig. 1



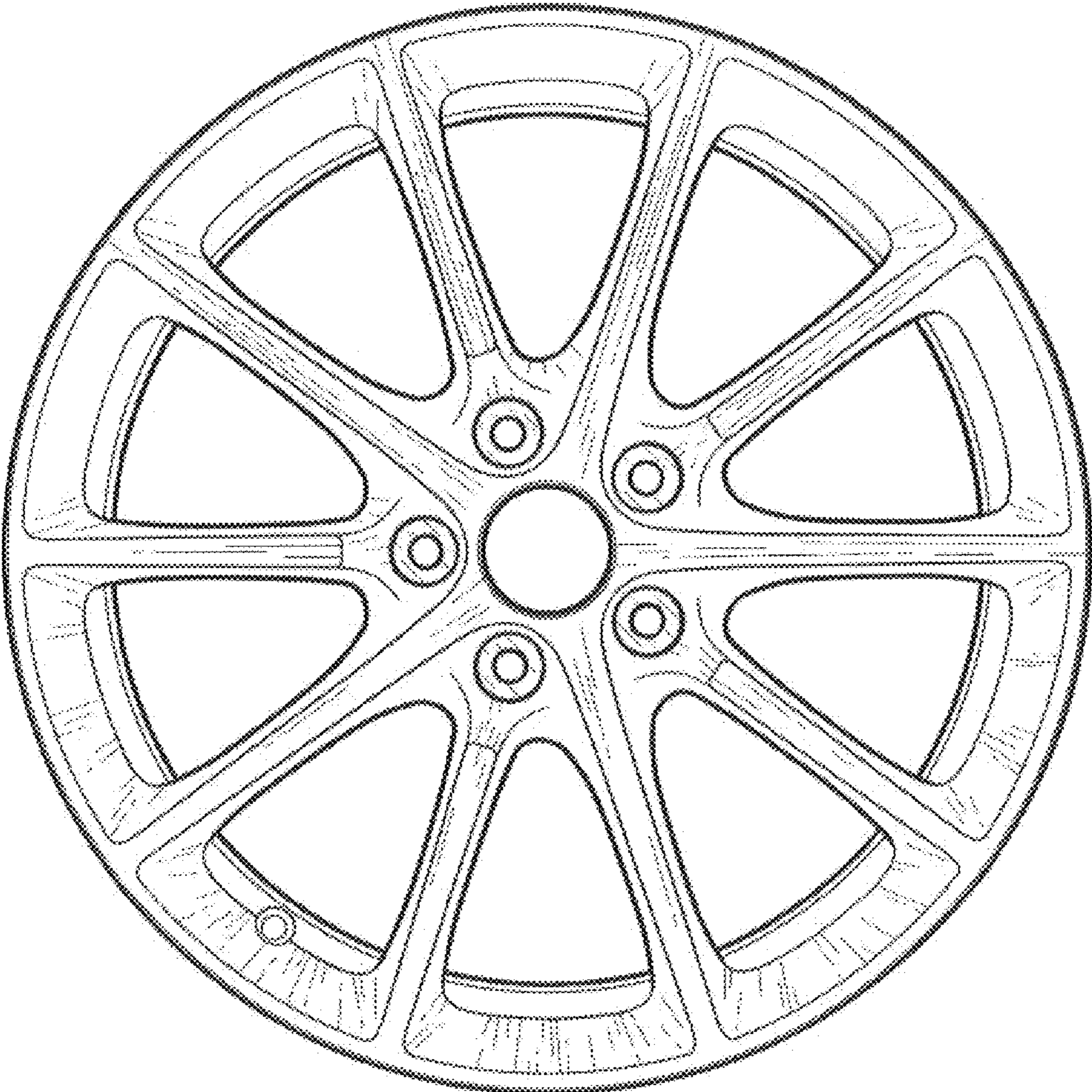


Fig. 2

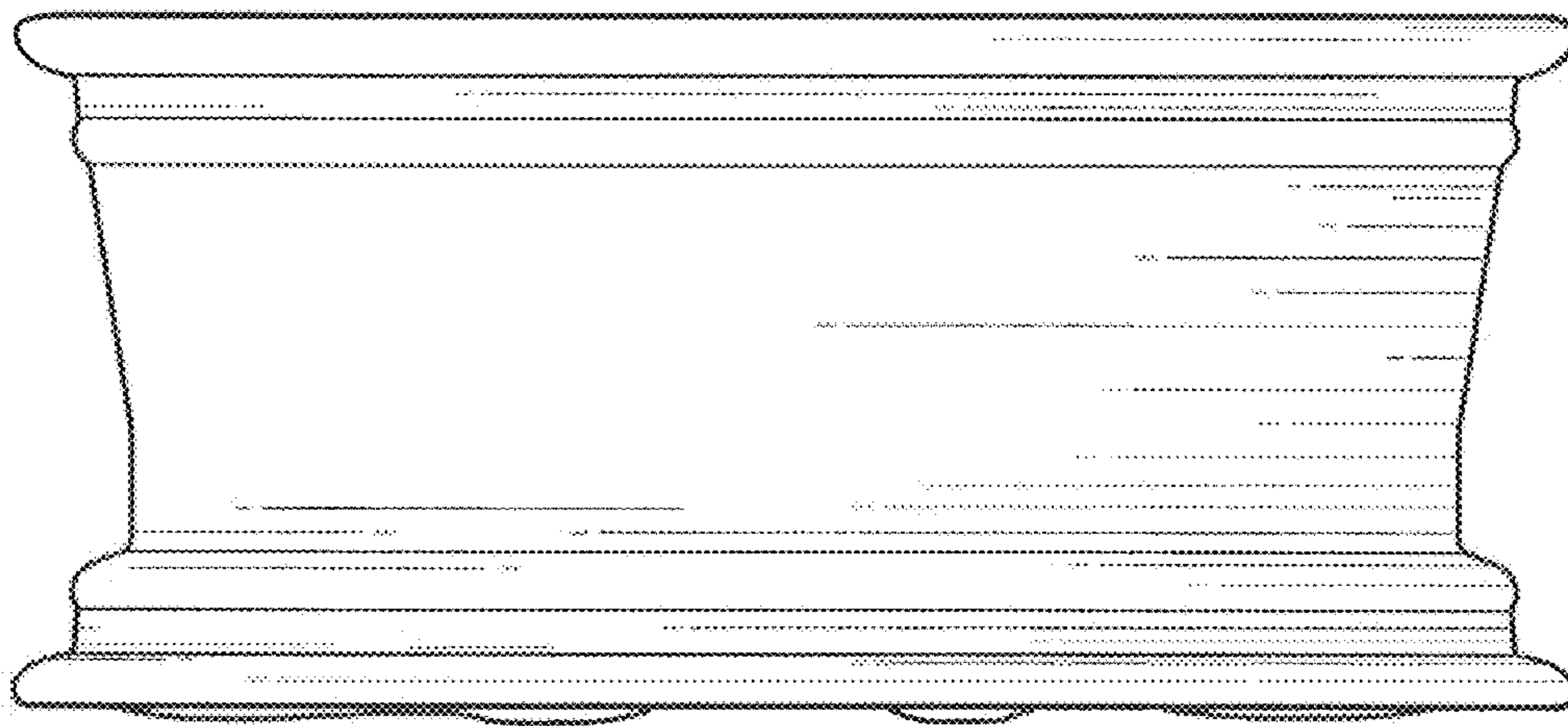


Fig. 3

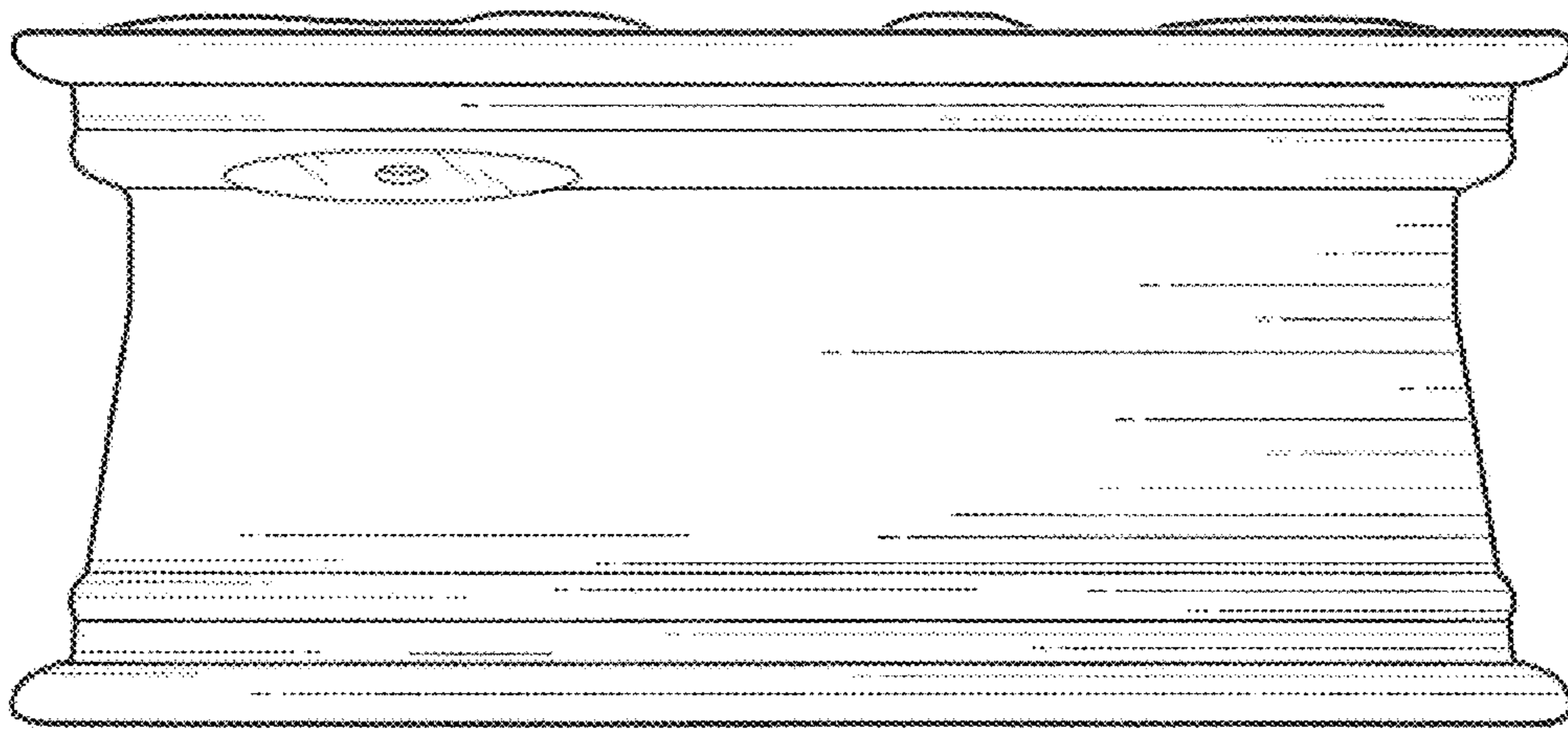


Fig. 4

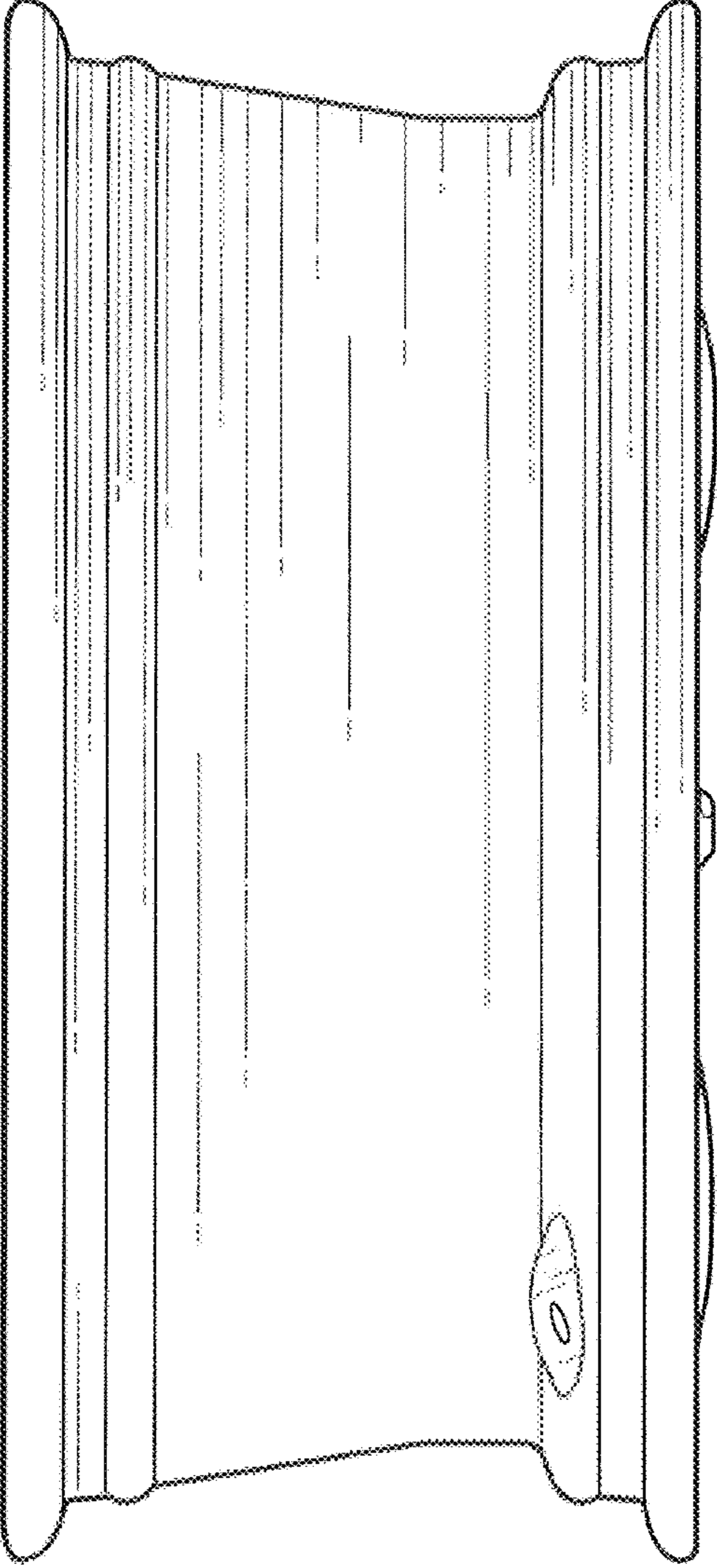


Fig. 5



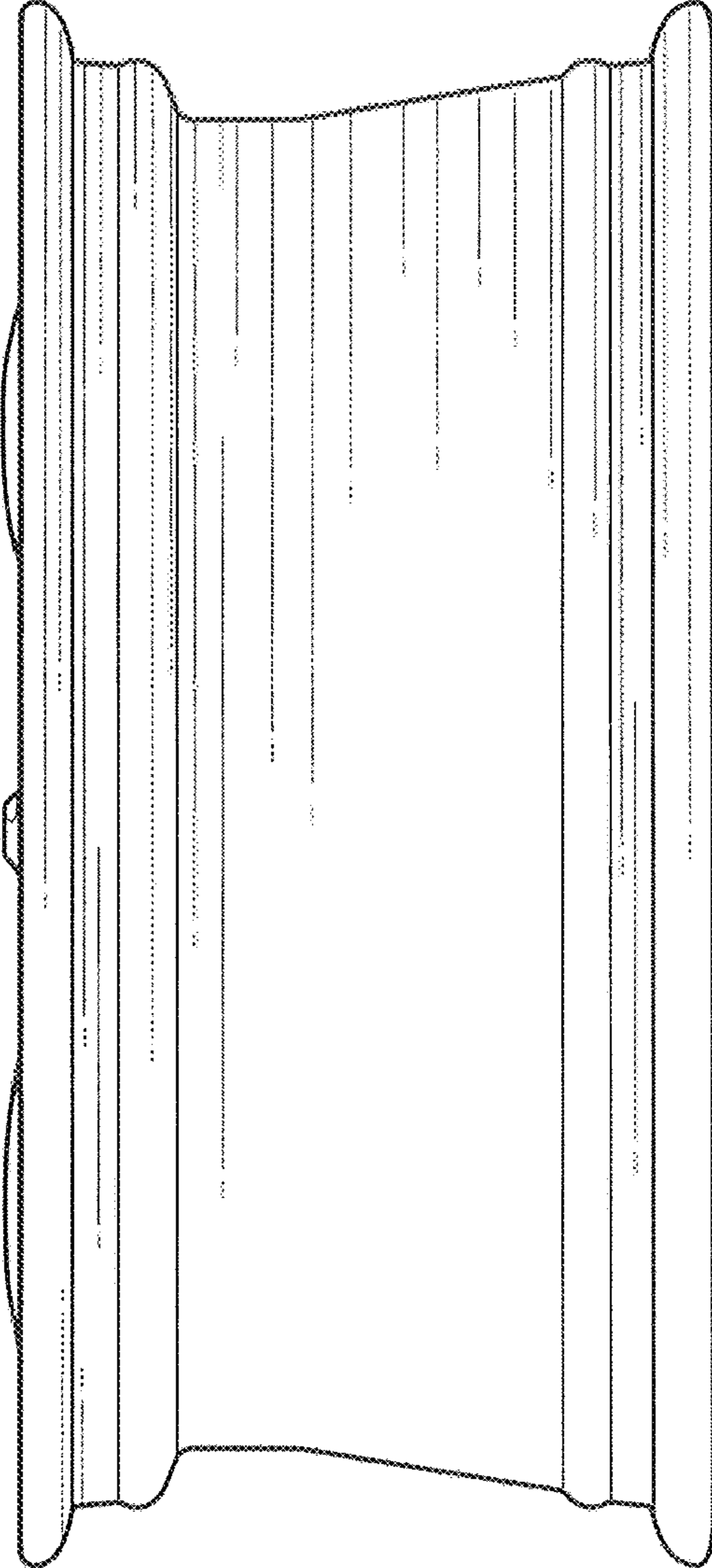


Fig. 6