



US00D781205S

(12) **United States Design Patent**
O'Neill et al.

(10) **Patent No.:** **US D781,205 S**
(45) **Date of Patent:** **** Mar. 14, 2017**

(54) **WHEEL**

(71) Applicant: **Jaguar Land Rover Limited**, Whitley, Coventry (GB)

(72) Inventors: **Michael O'Neill**, Coventry (GB); **Alex Chan**, Coventry (GB); **Paven Patel**, Coventry (GB)

(73) Assignee: **Jaguar Land Rover Limited**, Whitley, Coventry (GB)

(**) Term: **15 Years**

(21) Appl. No.: **29/532,693**

(22) Filed: **Jul. 9, 2015**

(30) **Foreign Application Priority Data**

Jul. 1, 2015 (EM) 002729764

(51) **LOC (10) Cl.** **12-16**

(52) **U.S. Cl.**
USPC **D12/211**

(58) **Field of Classification Search**
USPC D12/204–213
CPC B60B 7/00; B60B 7/02; B60B 7/04; B60B 7/01; B60B 7/06; B60B 3/02; B60B 3/04; B60B 3/06; B60B 3/10; B60B 1/00; B60B 1/08; B60B 1/10; B60B 1/12
See application file for complete search history.

(56) **References Cited**

U.S. PATENT DOCUMENTS

D477,556 S * 7/2003 Koch D12/211
D508,007 S * 8/2005 Koch D12/211
D535,935 S * 1/2007 Scheu D12/211
D609,624 S * 2/2010 Matsubara D12/211

D617,249 S * 6/2010 Juergens D12/211
D619,071 S * 7/2010 Christensen D12/211
D620,871 S * 8/2010 Juergens D12/211
D628,948 S * 12/2010 Chung D12/211
D635,077 S * 3/2011 Nordmann D12/209
D639,225 S * 6/2011 Forschner D12/211
D673,494 S * 1/2013 Lemke D12/209
D686,965 S * 7/2013 Pollmann D12/211
D691,080 S * 10/2013 Stucki D12/211
D701,811 S * 4/2014 Hale, Jr. D12/211
D707,609 S * 6/2014 Curtis D12/211
D719,891 S * 12/2014 Johnson D12/209
D726,089 S * 4/2015 Hodges D12/211
D727,822 S * 4/2015 Wheel D12/209
D738,281 S * 9/2015 Watkin D12/211
D739,329 S * 9/2015 Watkin D12/211
D740,734 S * 10/2015 Wheel D12/209
D741,772 S * 10/2015 Lesnik D12/211
D745,842 S * 12/2015 Wheel D12/209
D749,487 S * 2/2016 Mahoney D12/211
D765,573 S * 9/2016 Johnson D12/211

* cited by examiner

Primary Examiner — Stacia Cadmus

(74) *Attorney, Agent, or Firm* — Wood Herron & Evans LLP

(57) **CLAIM**

The ornamental design for a wheel, as shown and described.

DESCRIPTION

FIG. 1 is a front left perspective view of a wheel for a vehicle according to the invention.

FIG. 2 is a front view thereof.

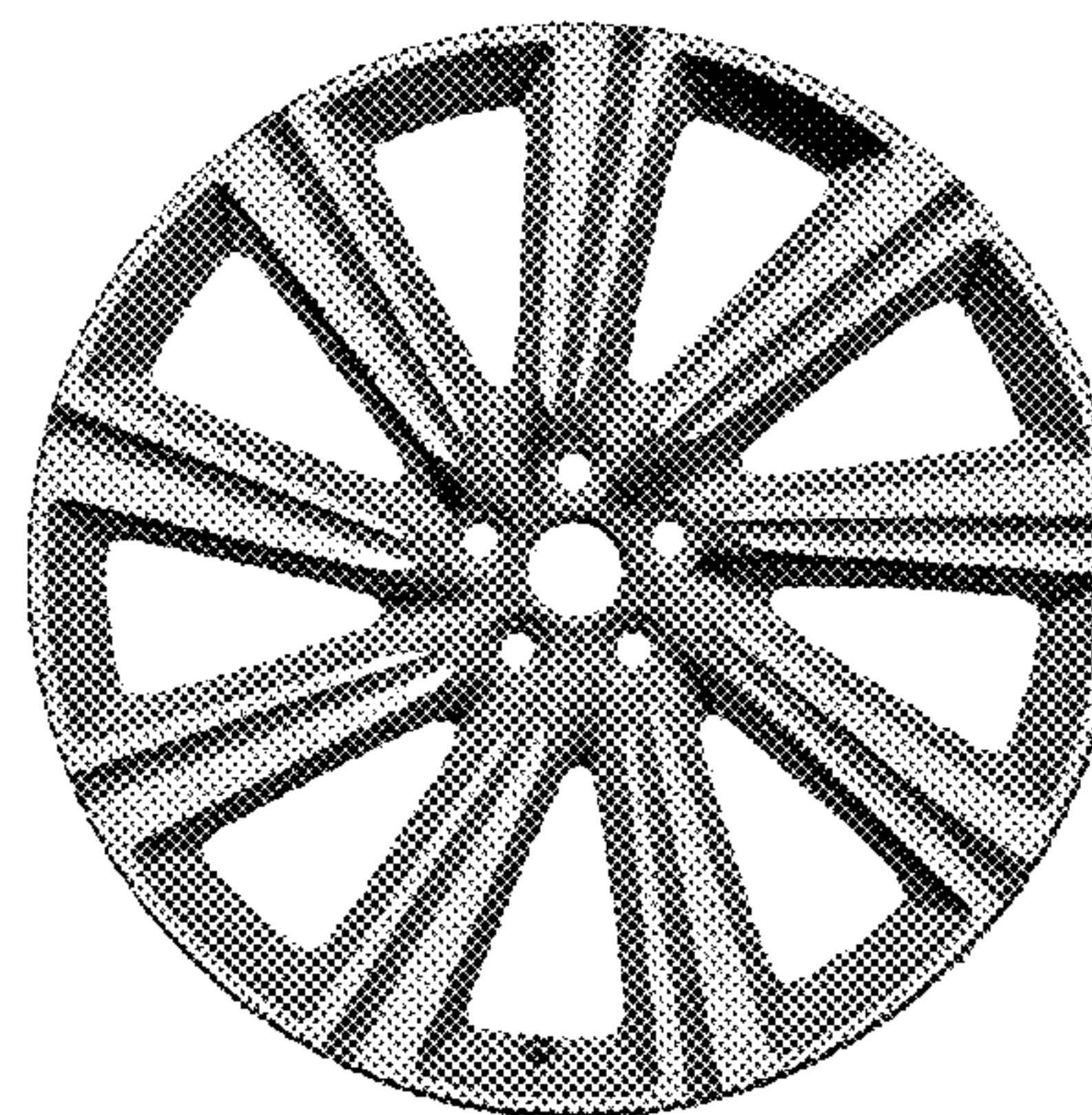
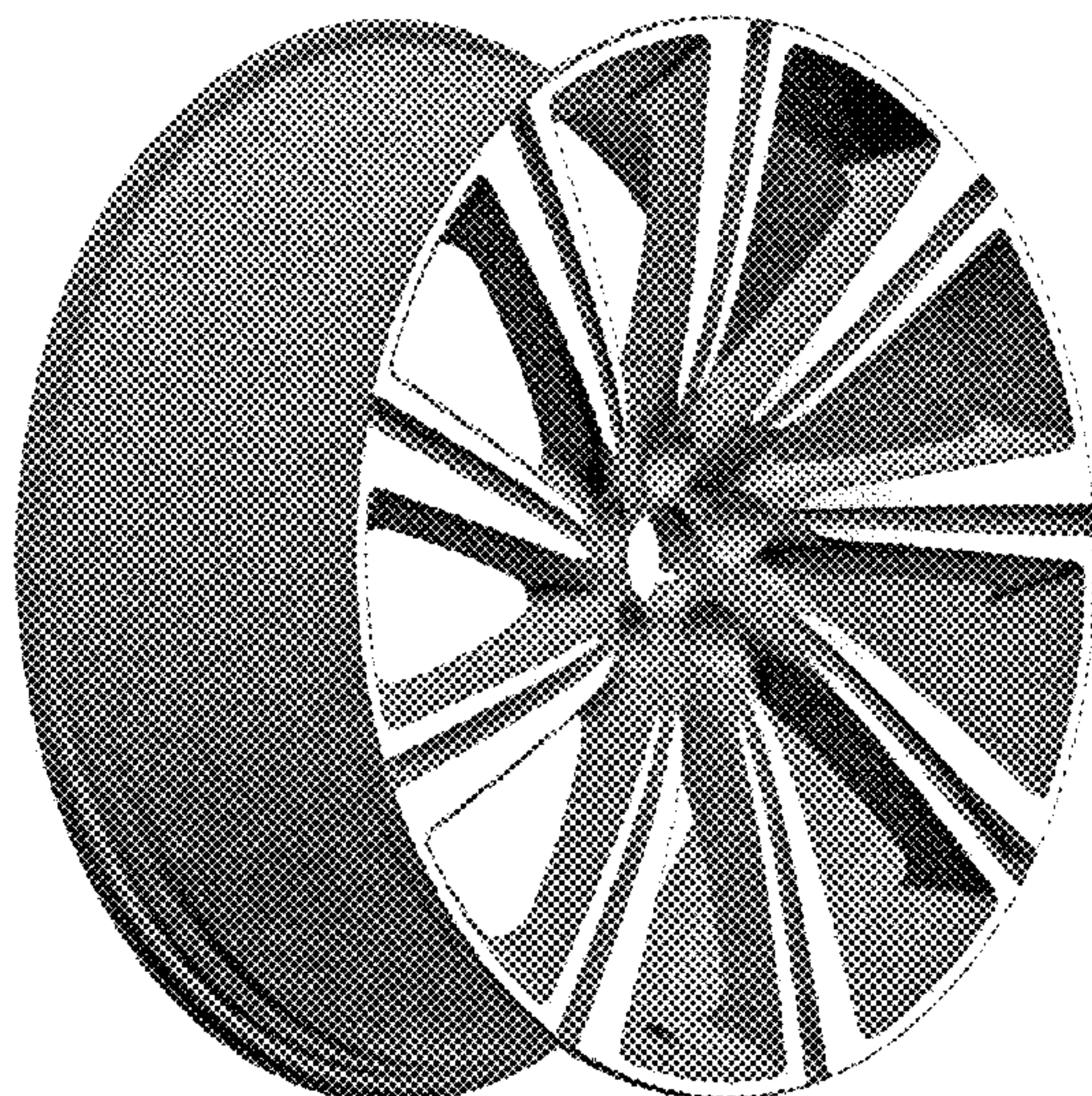
FIG. 3 is a left side view thereof.

FIG. 4 is a rear view thereof; and,

FIG. 5 is a rear right perspective view thereof.

The wheel is shown on a reduced scale in FIGS. 2-5.

1 Claim, 3 Drawing Sheets



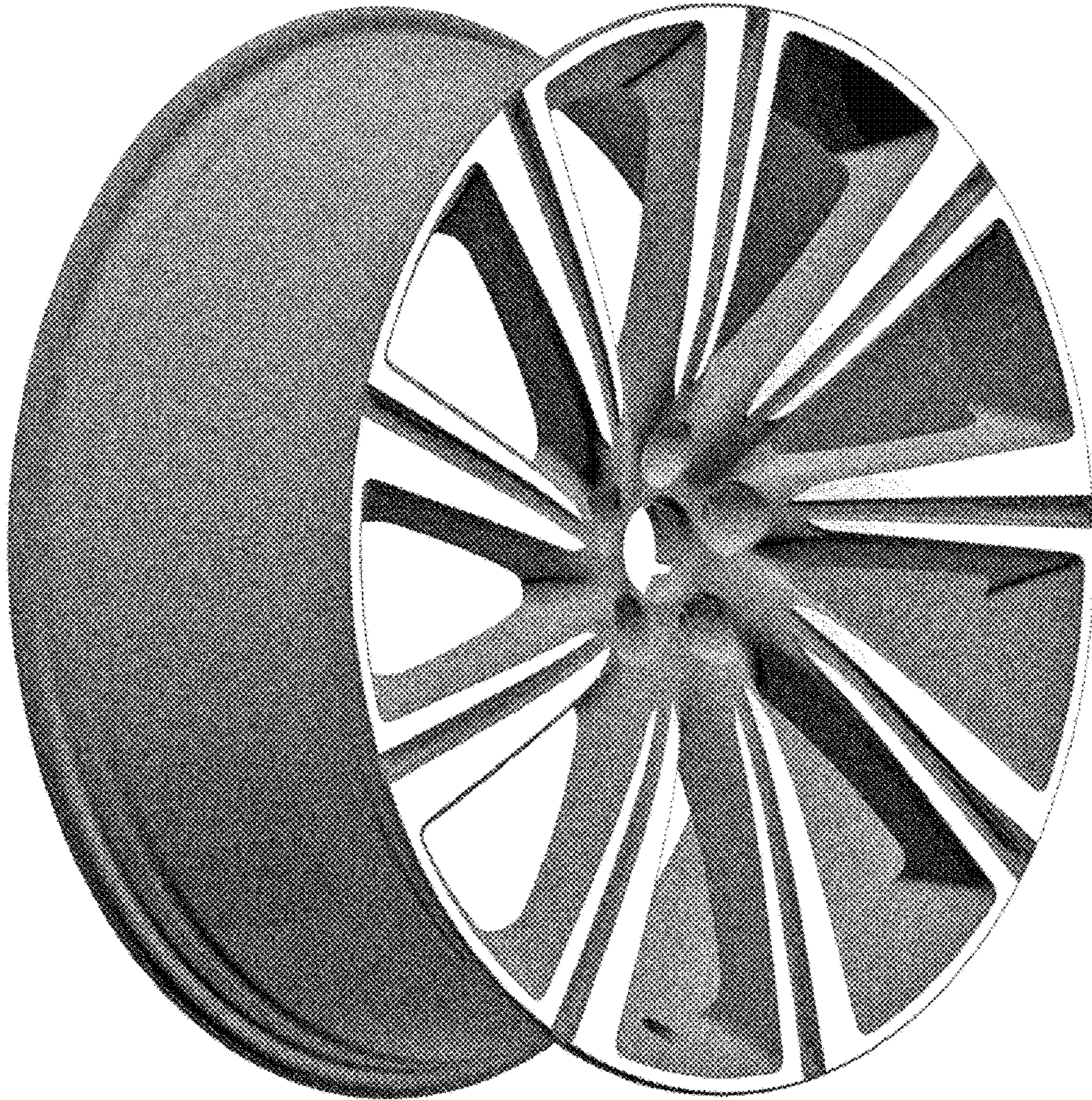


FIG. 1

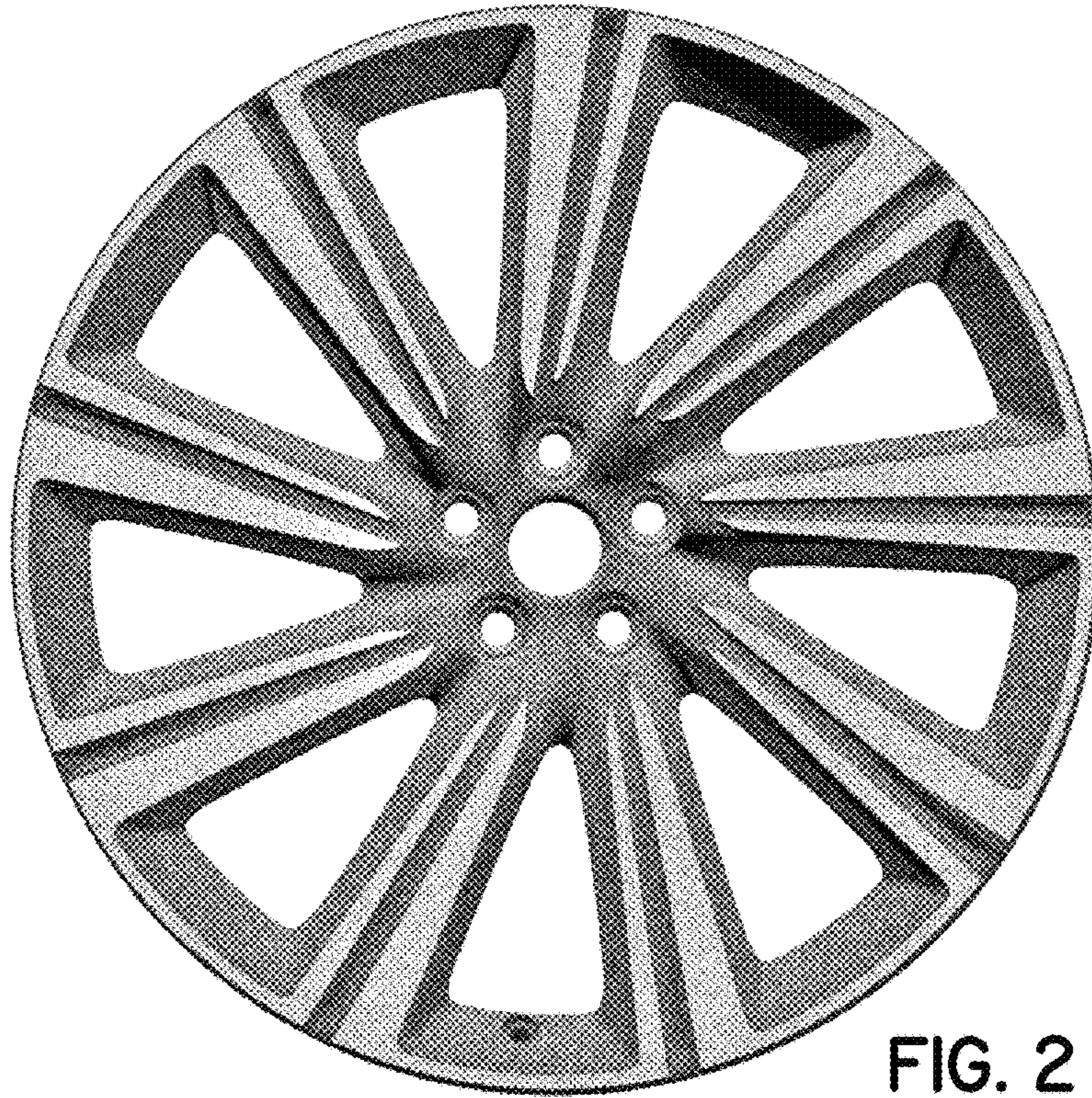


FIG. 2

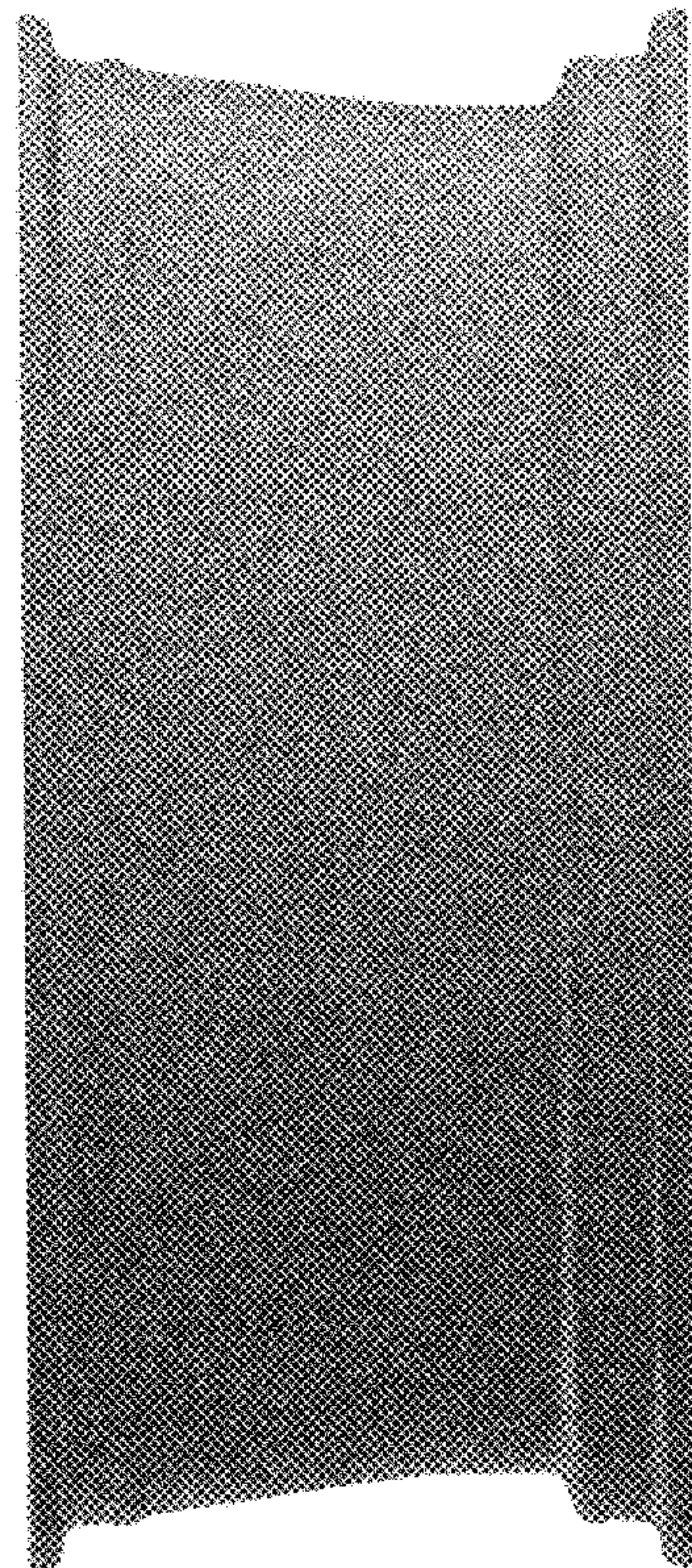


FIG. 3

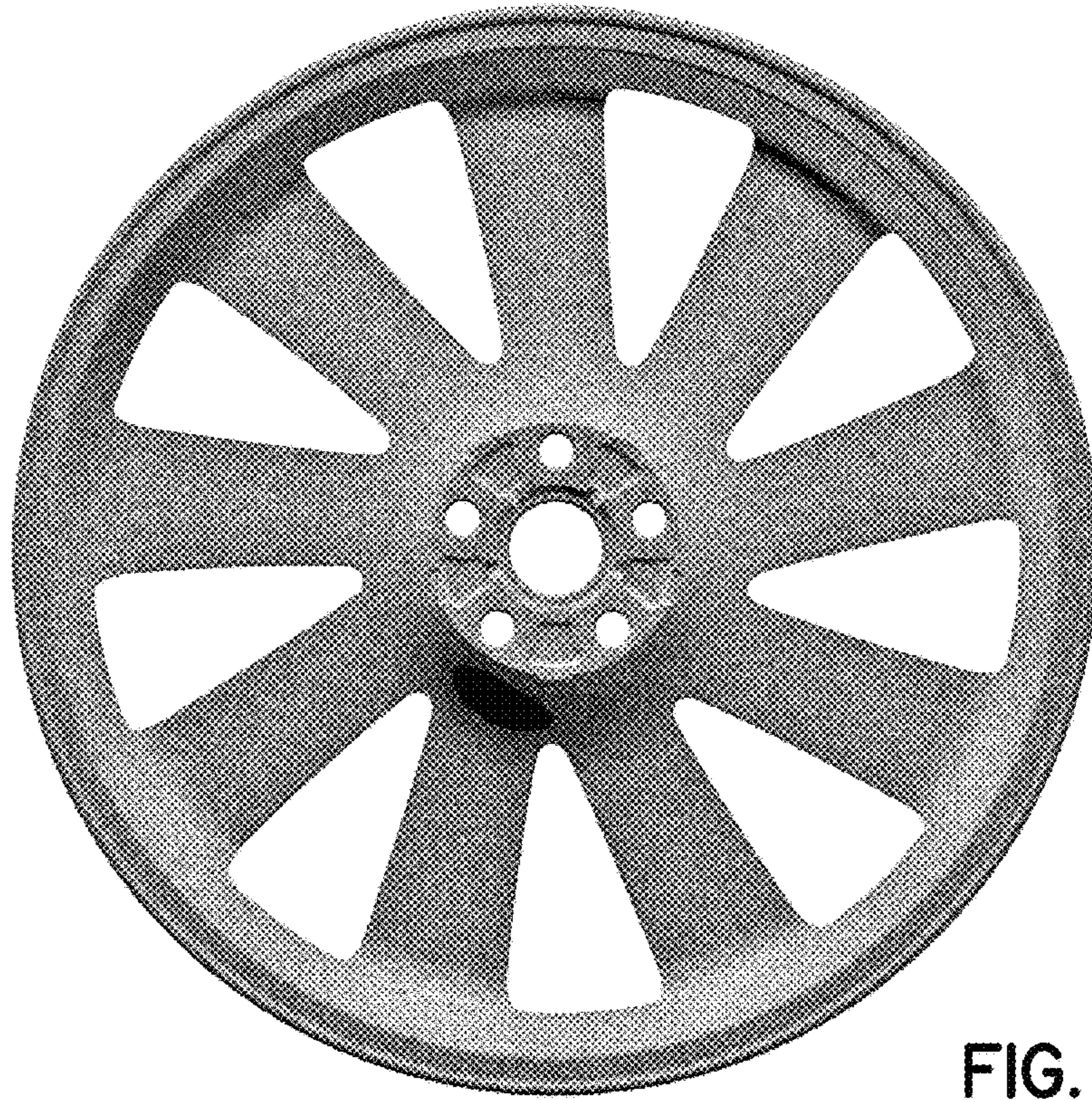


FIG. 4



FIG. 5