



US00D781203S

(12) **United States Design Patent**
Chung

(10) **Patent No.:** **US D781,203 S**

(45) **Date of Patent:** **** Mar. 14, 2017**

(54) **AUTOMOTIVE WHEEL**

(71) Applicant: **Design Infini, Inc.**, Corona, CA (US)

(72) Inventor: **Suny Chung**, Anaheim, CA (US)

(73) Assignee: **Design Infini, Inc.**, Corona, CA (US)

(**) Term: **14 Years**

(21) Appl. No.: **29/516,046**

(22) Filed: **Jan. 29, 2015**

(51) **LOC (10) Cl.** **12-16**

(52) **U.S. Cl.**
USPC **D12/211**

(58) **Field of Classification Search**
USPC D12/204-213
CPC B60B 7/00; B60B 7/02; B60B 7/04; B60B
7/01; B60B 7/06; B60B 3/02; B60B 3/04;
B60B 3/06; B60B 3/10; B60B 1/00;
B60B 1/08; B60B 1/10; B60B 1/12
See application file for complete search history.

(56) **References Cited**

U.S. PATENT DOCUMENTS

D367,031 S	2/1996	Hubbach	
D401,205 S	11/1998	Fischer	
D444,118 S *	6/2001	Chung	D12/211
D449,267 S *	10/2001	Fitzgerald	D12/211
D452,838 S	1/2002	Hieke	
D458,886 S	6/2002	Bhambra	
D460,036 S *	7/2002	Yajima	D12/211
D460,941 S *	7/2002	Muzzarelli	D12/211
D480,673 S	10/2003	Bhambra et al.	
D483,313 S *	12/2003	Lenz	D12/209
D485,523 S	1/2004	Takechi	
D486,112 S	2/2004	Lecher	
D487,419 S *	3/2004	Kim	D12/211
D491,866 S	6/2004	Warming	
D495,985 S	9/2004	Lai	

D497,339 S	10/2004	Heinrich	
D503,916 S	4/2005	Clarke	
D505,373 S *	5/2005	Pfeiffer	D12/209
D515,996 S	2/2006	Baumgartner	
D519,902 S *	5/2006	Pfeiffer	D12/209
D528,060 S *	9/2006	Laengerer	D12/209
D530,657 S *	10/2006	Pfeiffer	D12/211
D534,851 S *	1/2007	Kim	D12/209
D535,240 S	1/2007	Chang	

(Continued)

OTHER PUBLICATIONS

Sema Preview, ATD 2012 Wheel Lineup, 2012, pp. 6, 10, American Tire Distributors, published Nov. 2011.

Primary Examiner — Stacia Cadmus

(74) *Attorney, Agent, or Firm* — Knobbe, Martens, Olson & Bear, LLP

(57) **CLAIM**

The ornamental design for an automotive wheel, as shown and described.

DESCRIPTION

1 is a perspective view of an automotive wheel, showing my new design;

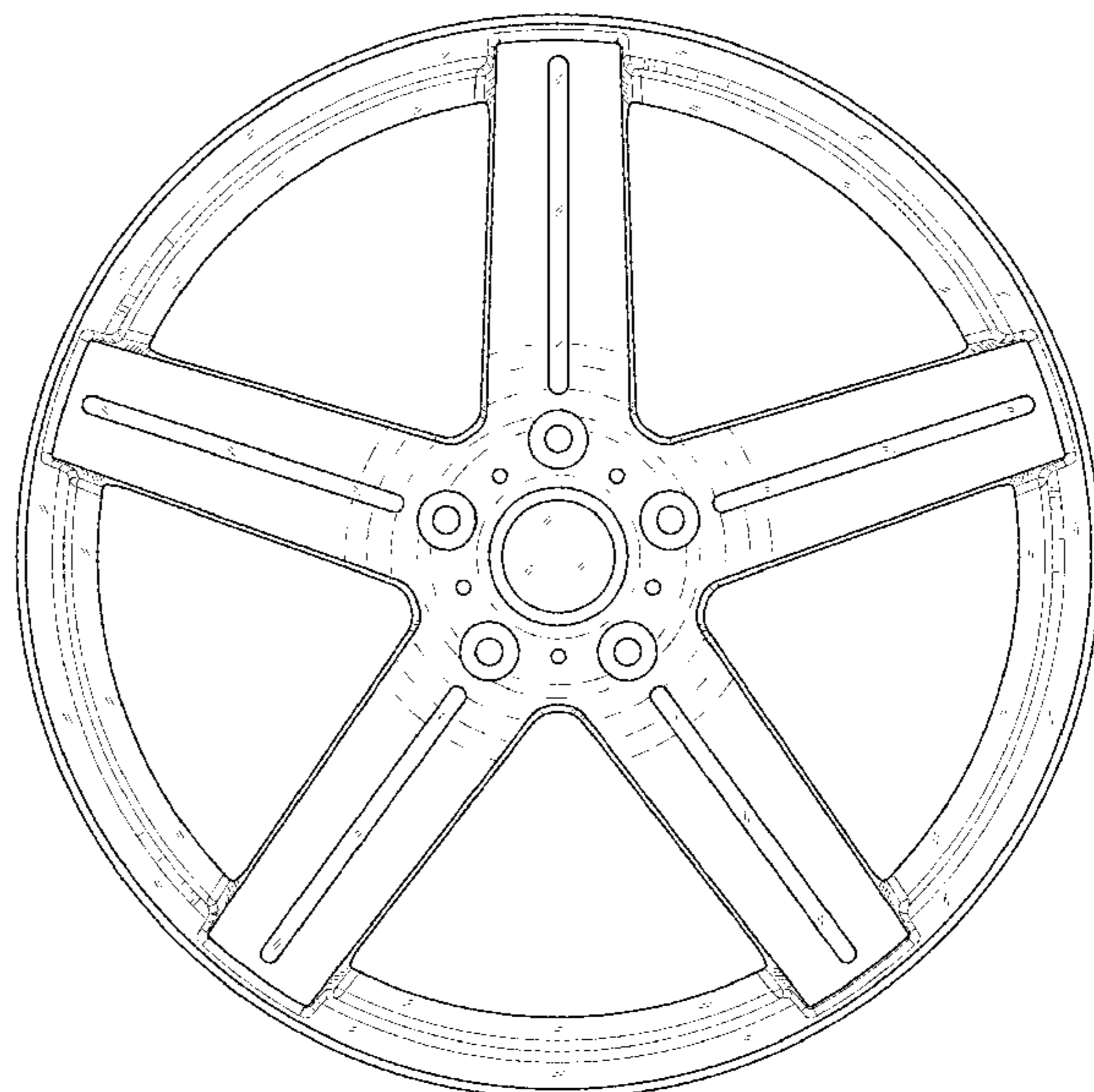
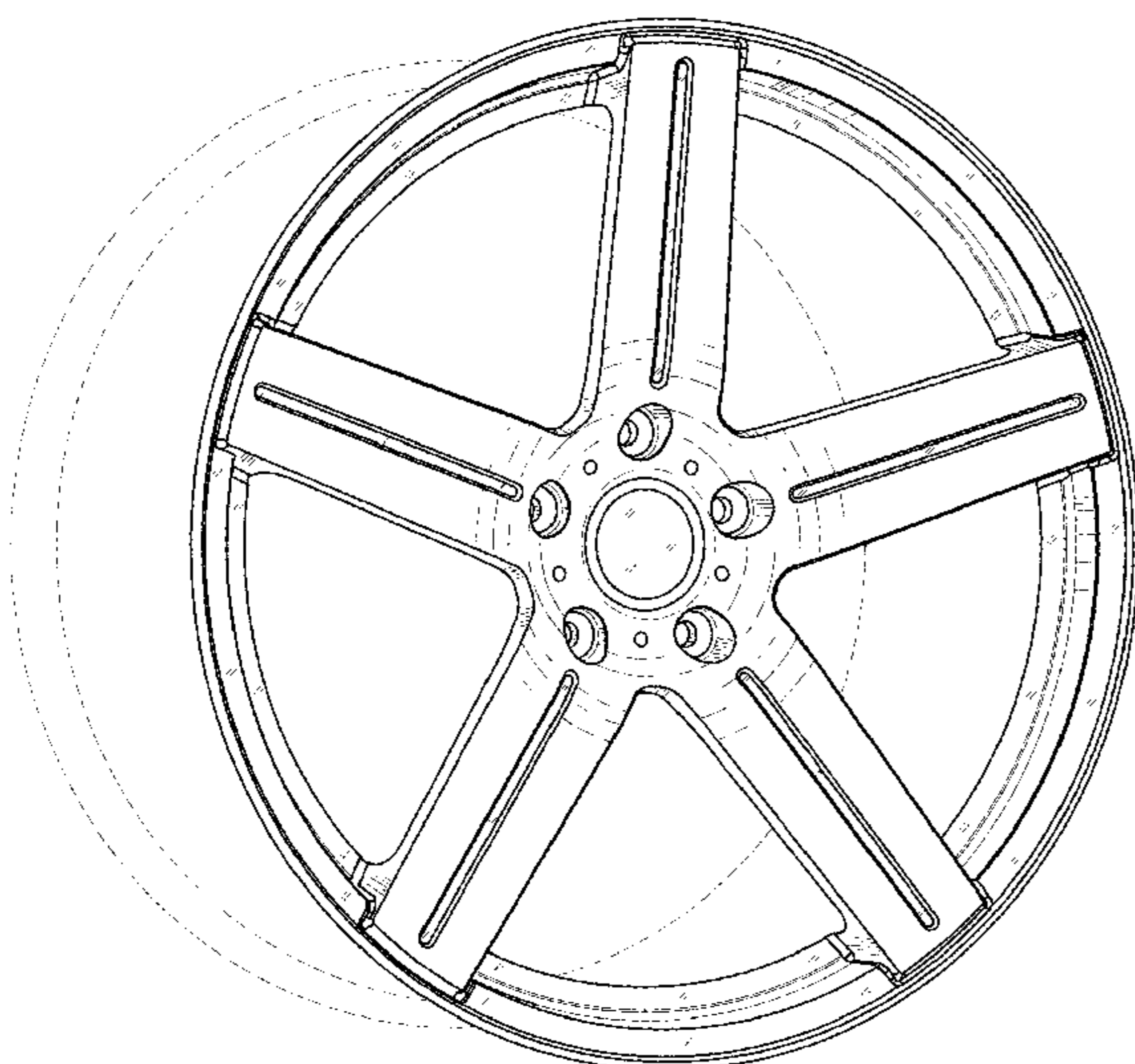
FIG. 2 is a front view thereof;

FIG. 3 is a perspective view of a second embodiment of an automotive wheel, showing my new design; and,

FIG. 4 is a front view of **FIG. 3**.

The broken lines in **FIGS. 1** and **3** showing the rear portion of the wheel are included to depict environmental subject matter only and form no part of the claimed design. In **FIGS. 3** and **4**, the broken lines on the spokes of the wheel identify an edge that forms no part of the claimed design, with the surface bounded by said unclaimed edge being an unclaimed surface.

1 Claim, 4 Drawing Sheets



(56)

References Cited

U.S. PATENT DOCUMENTS

D538,728	S	*	3/2007	Pfeiffer	D12/209
D539,205	S		3/2007	Hosoi	
D540,733	S	*	4/2007	Castiglione	D12/211
D550,599	S	*	9/2007	Celik	D12/209
D603,778	S	*	11/2009	Chung	D12/211
D613,662	S	*	4/2010	Cortes	D12/211
D638,762	S		5/2011	Hilpert	
D638,767	S	*	5/2011	Groom	D12/211
D639,220	S	*	6/2011	Zhao	D12/209
D641,302	S		7/2011	Ettensberger	
D644,154	S	*	8/2011	Antoniadis	D12/209
D671,061	S	*	11/2012	Dilber	D12/211
D675,972	S	*	2/2013	Lee	D12/209
D682,765	S		5/2013	Alfonso	
D703,601	S	*	4/2014	Chung	D12/211
D713,311	S	*	9/2014	Yoon	D12/209
D722,545	S		2/2015	Chung	
D725,020	S	*	3/2015	Kim	D12/211
D735,103	S		7/2015	Lemke	
D741,241	S	*	10/2015	Hale, Jr.	D12/211
D741,243	S	*	10/2015	Zhao	D12/211
D742,799	S	*	11/2015	Zhao	D12/211
D749,030	S	*	2/2016	Zhao	D12/211
D751,482	S		3/2016	Caswell et al.	
D753,041	S		4/2016	Kim	
D758,278	S	*	6/2016	Behmer	D12/211
D760,635	S	*	7/2016	Bildhaeuser	D12/209
D762,542	S		8/2016	Chinavare	
D764,373	S	*	8/2016	Valencia Pollex	D12/211

* cited by examiner

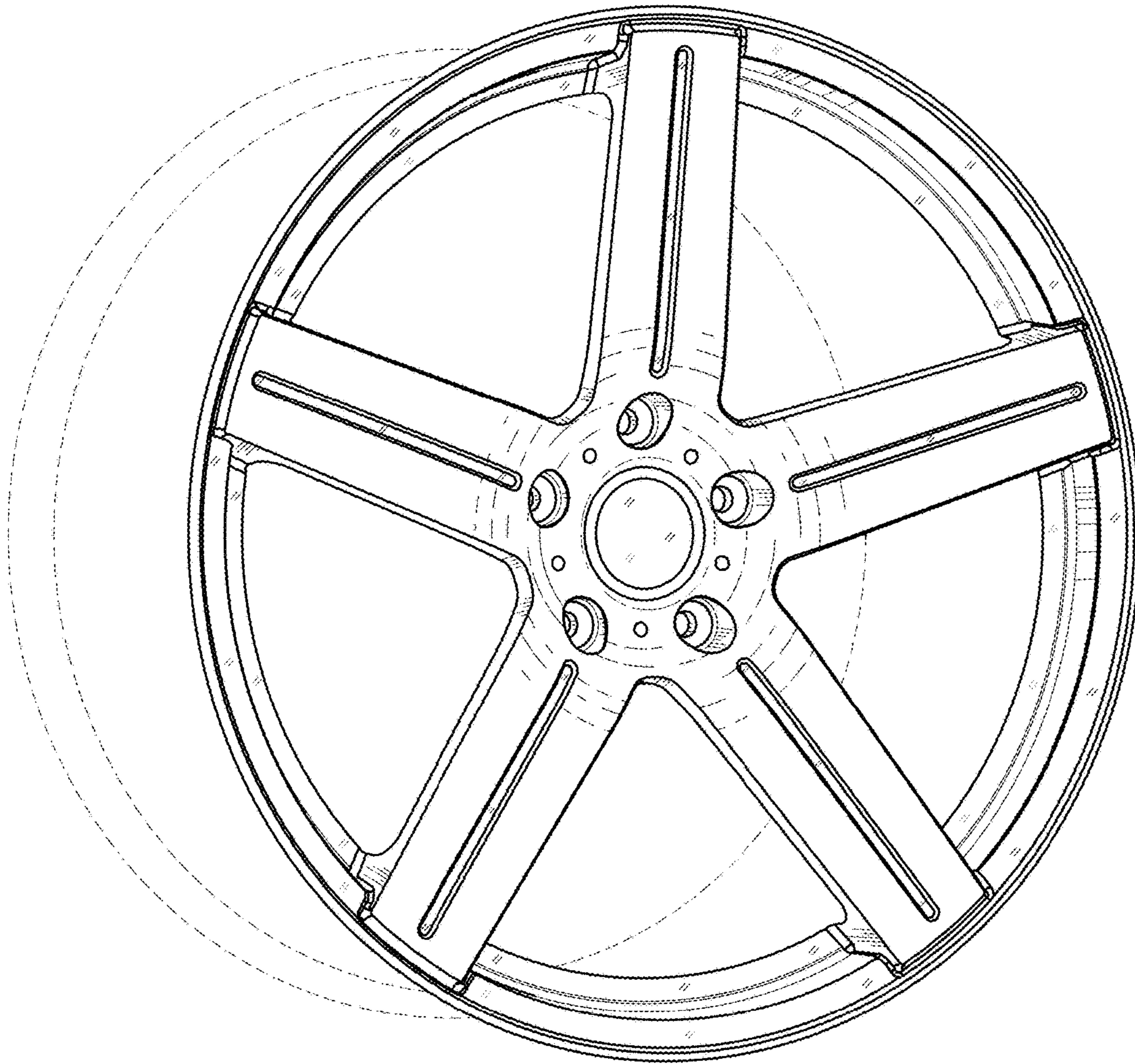


Figure 1

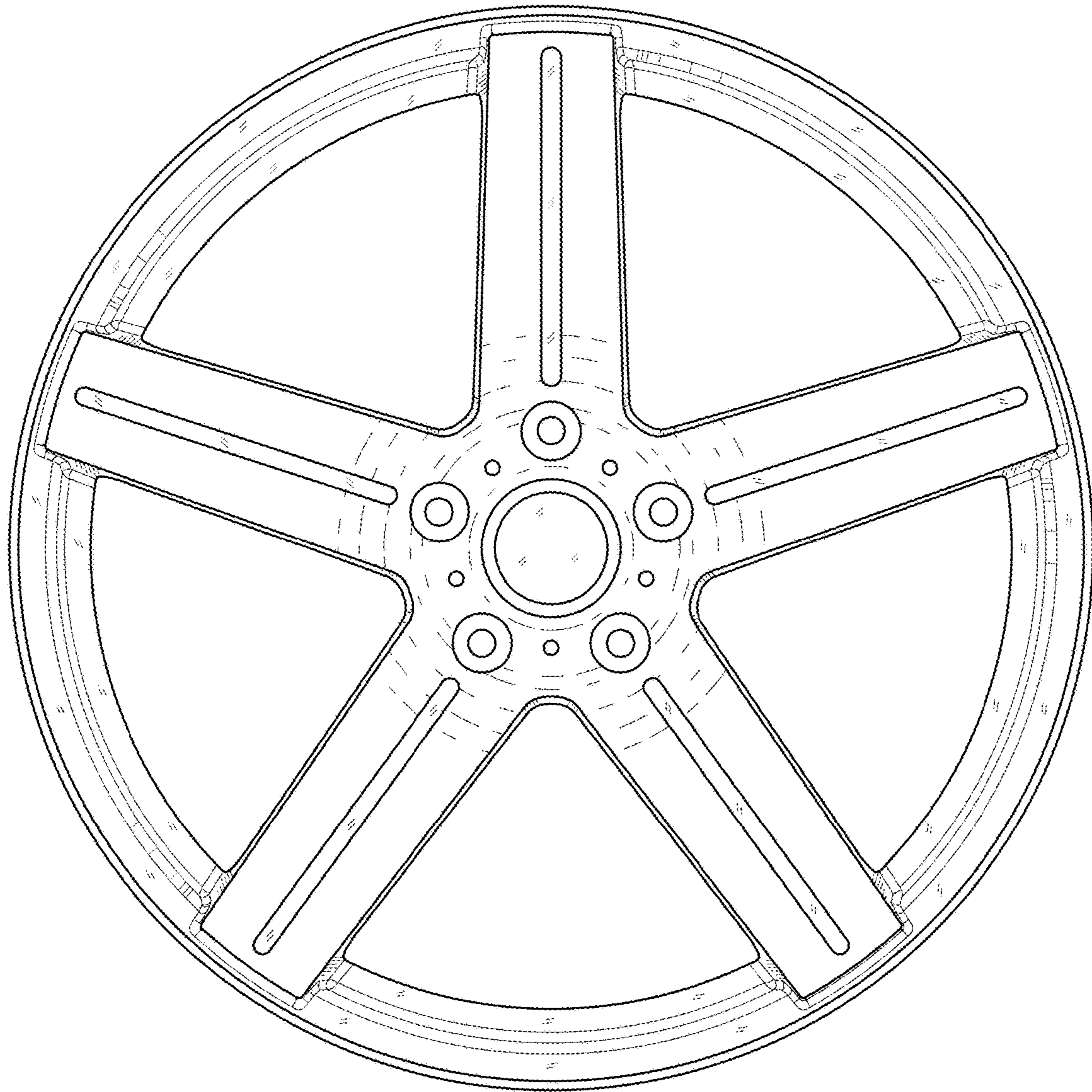


Figure 2

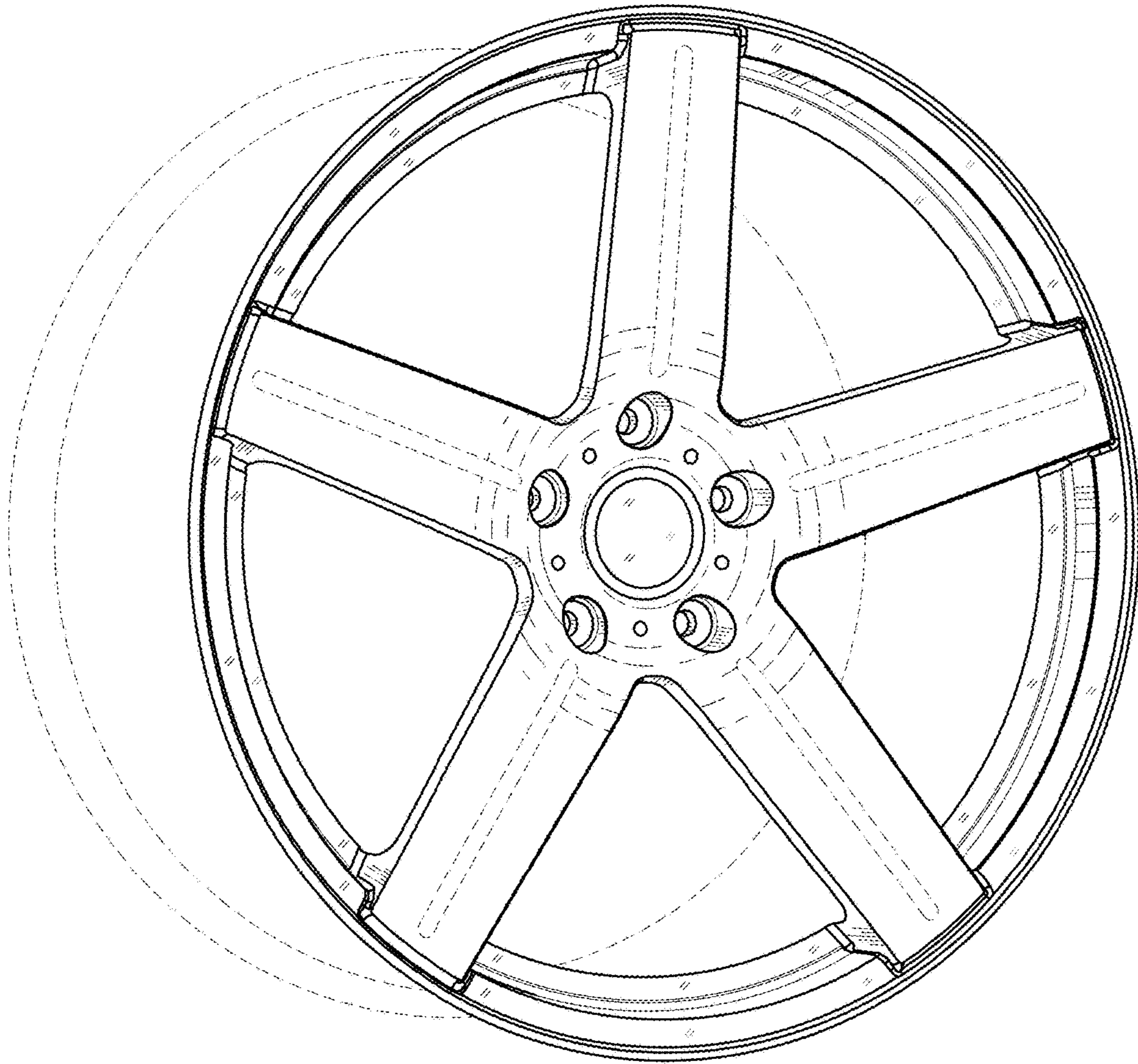


Figure 3

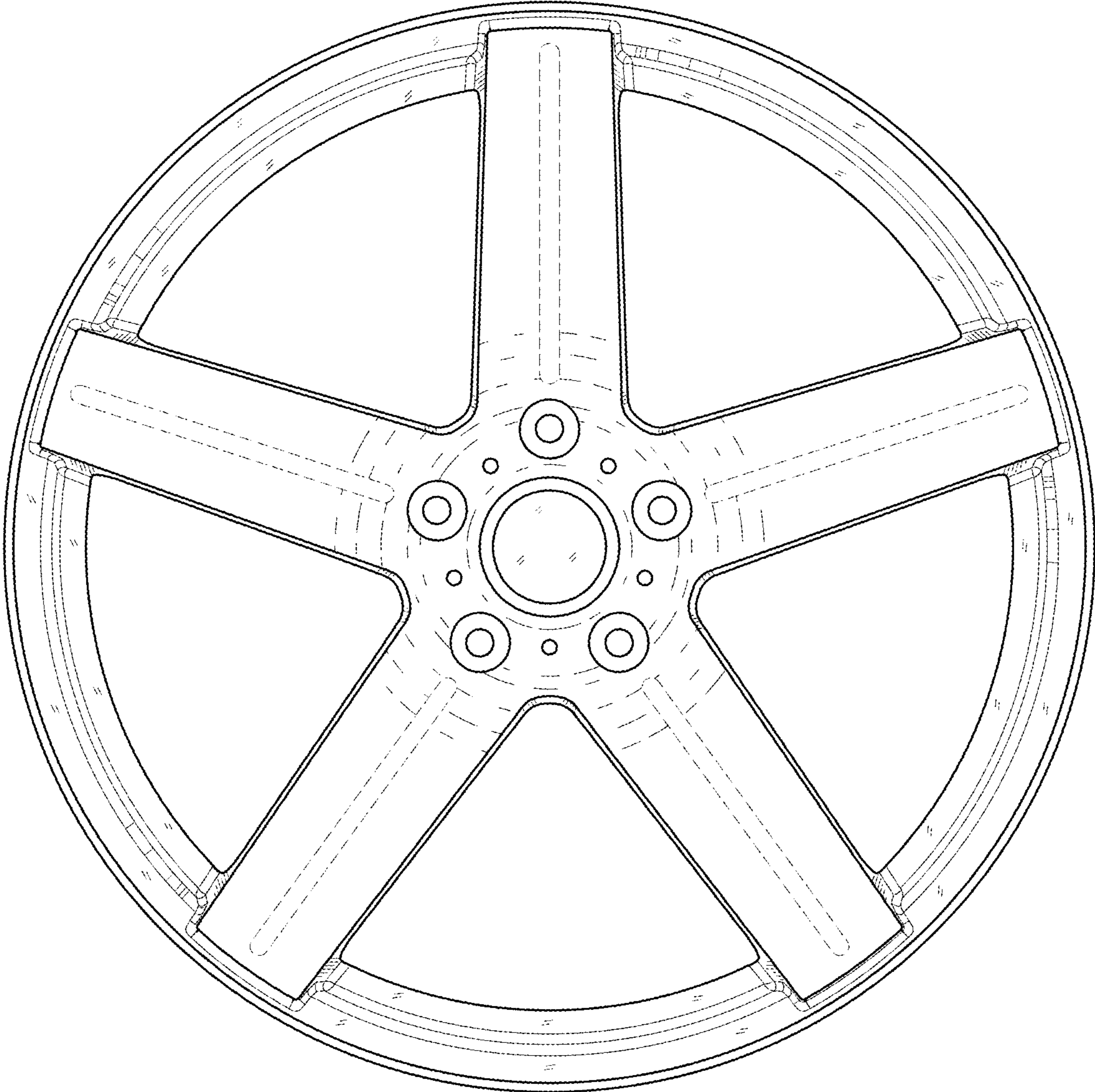


Figure 4