



US00D781200S

(12) **United States Design Patent**
Back et al.

(10) **Patent No.:** **US D781,200 S**
(45) **Date of Patent:** **** Mar. 14, 2017**

(54) **WHEEL FOR AN AUTOMOBILE**

(71) Applicant: **HONDA MOTOR CO., LTD.**, Tokyo (JP)

(72) Inventors: **Jong Kuk Back**, Wako (JP); **Masahiro Sagawa**, Wako (JP)

(73) Assignee: **HONDA MOTOR CO., LTD.**, Tokyo (JP)

(**) Term: **15 Years**

(21) Appl. No.: **29/555,863**

(22) Filed: **Feb. 25, 2016**

(30) **Foreign Application Priority Data**

Aug. 28, 2015 (JP) 2015-018996

(51) **LOC (10) Cl.** **12-16**

(52) **U.S. Cl.**
USPC **D12/209**

(58) **Field of Classification Search**
USPC D12/204–213
CPC B60B 7/00; B60B 7/02; B60B 7/04; B60B 7/01; B60B 7/06; B60B 3/02; B60B 3/04; B60B 3/06; B60B 3/10; B60B 1/00; B60B 1/08; B60B 1/10; B60B 1/12
See application file for complete search history.

(56) **References Cited**

U.S. PATENT DOCUMENTS

D399,811 S * 10/1998 Echazabal D12/209
D435,004 S * 12/2000 Noriega D12/209

D436,338 S * 1/2001 Hussaini D12/209
D455,991 S * 4/2002 Kaucher D12/196
D669,833 S * 10/2012 Pollmann D12/209
D671,475 S * 11/2012 Juergens D12/209
D682,761 S * 5/2013 Pollmann D12/209
D683,681 S * 6/2013 Juergens D12/209
D685,709 S * 7/2013 Hanaoka D12/209
D709,427 S * 7/2014 Clottu D12/209
D726,086 S * 4/2015 Muntada Roura D12/209
D738,278 S * 9/2015 Wolff D12/209
D748,031 S * 1/2016 Miyazawa D12/209
D755,692 S * 5/2016 Nakahara D12/209
D757,625 S * 5/2016 Hu D12/209
D761,711 S * 7/2016 Wolff D12/209
D762,543 S * 8/2016 Hara D12/209
D763,158 S * 8/2016 Hara D12/209

* cited by examiner

Primary Examiner — Stacia Cadmus

(74) *Attorney, Agent, or Firm* — Westerman, Hattori, Daniels & Adrian, LLP

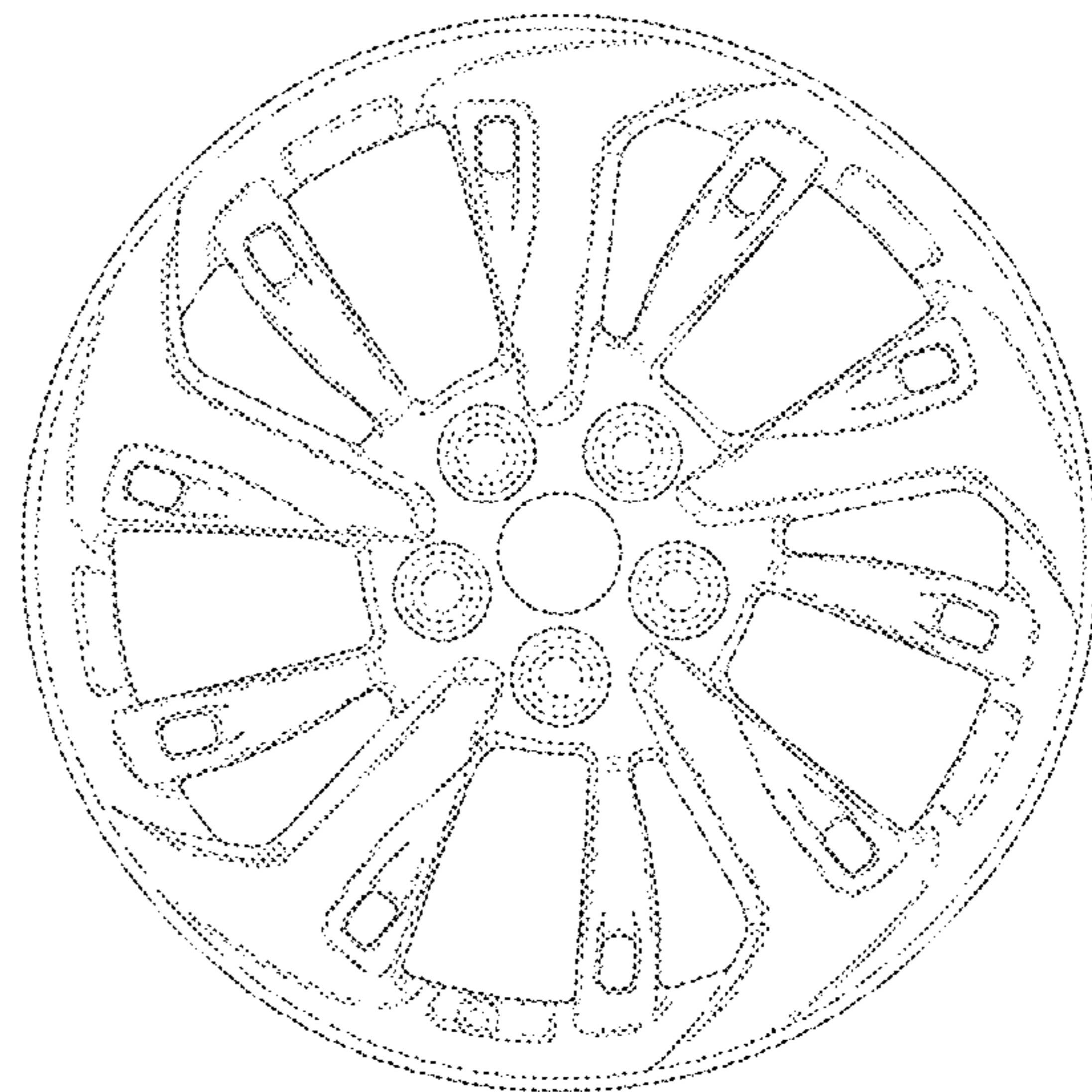
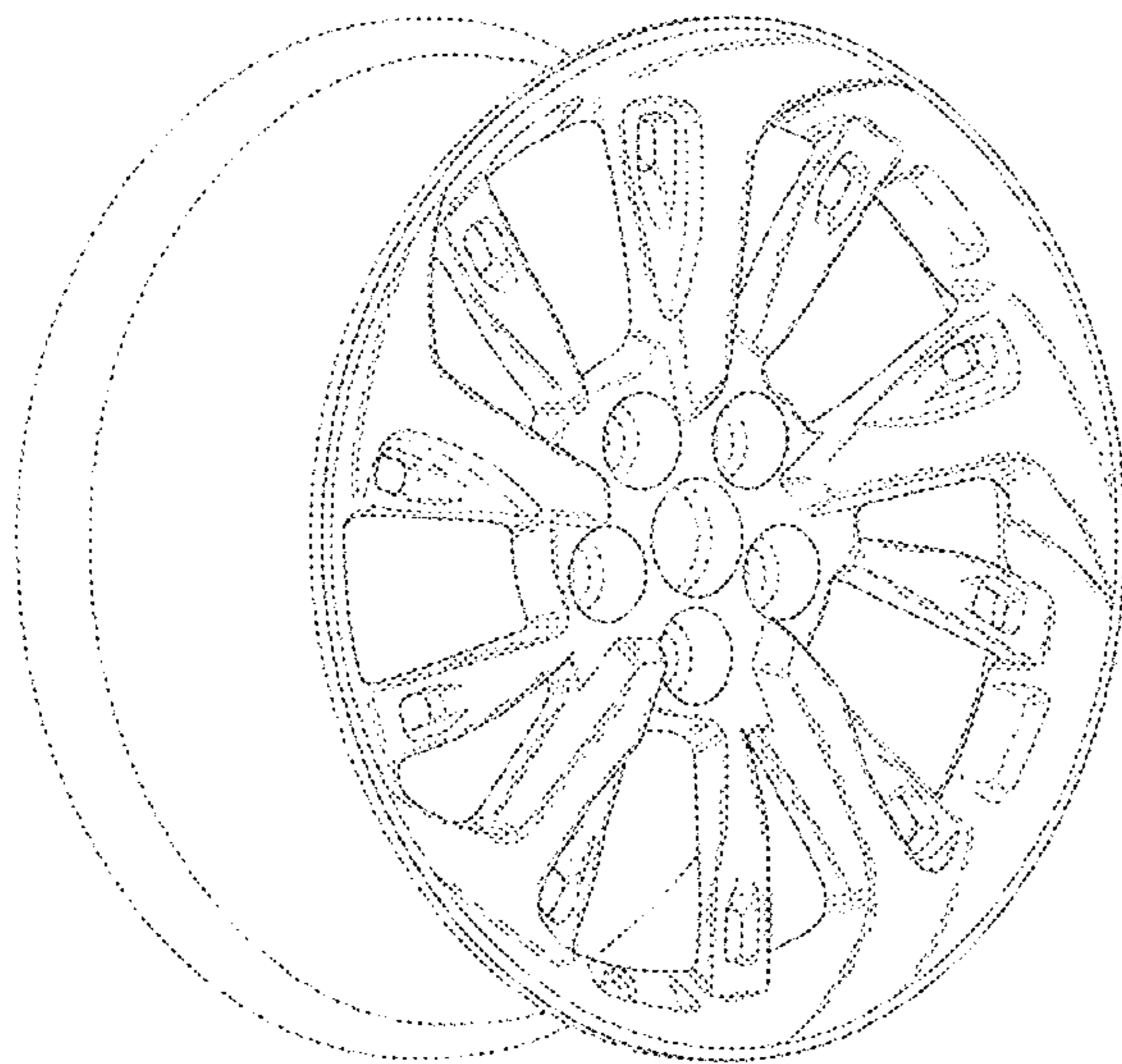
(57) **CLAIM**

The ornamental design for a wheel for an automobile, as shown and described.

DESCRIPTION

FIG. 1 is a front perspective view of a wheel for an automobile;
FIG. 2 is an enlarged partial view of the front perspective view thereof; and,
FIG. 3 is a front view thereof.
In the drawings, the broken lines depict environmental subject matter only and form no part of the claimed design.

1 Claim, 3 Drawing Sheets



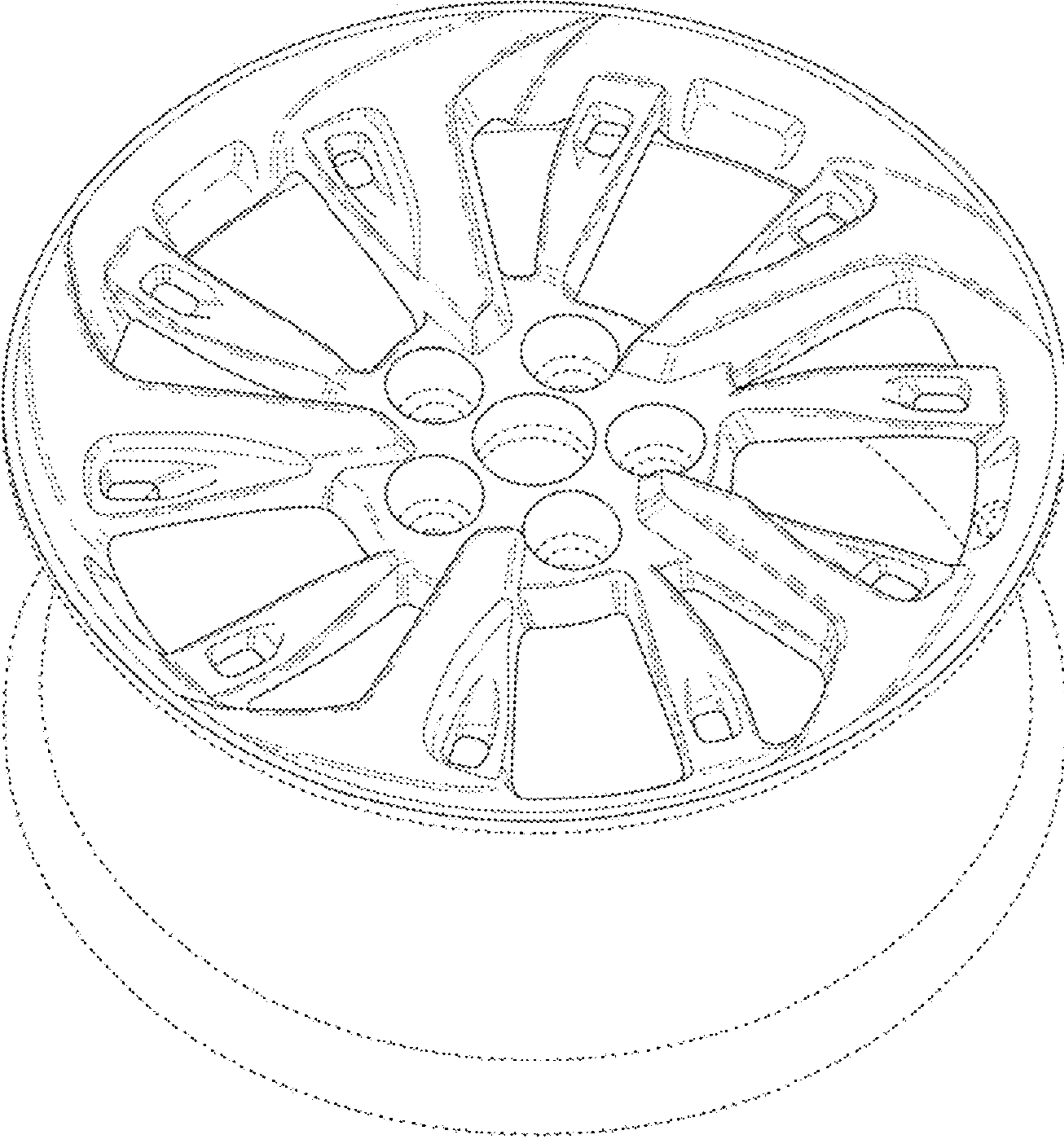


FIG.1

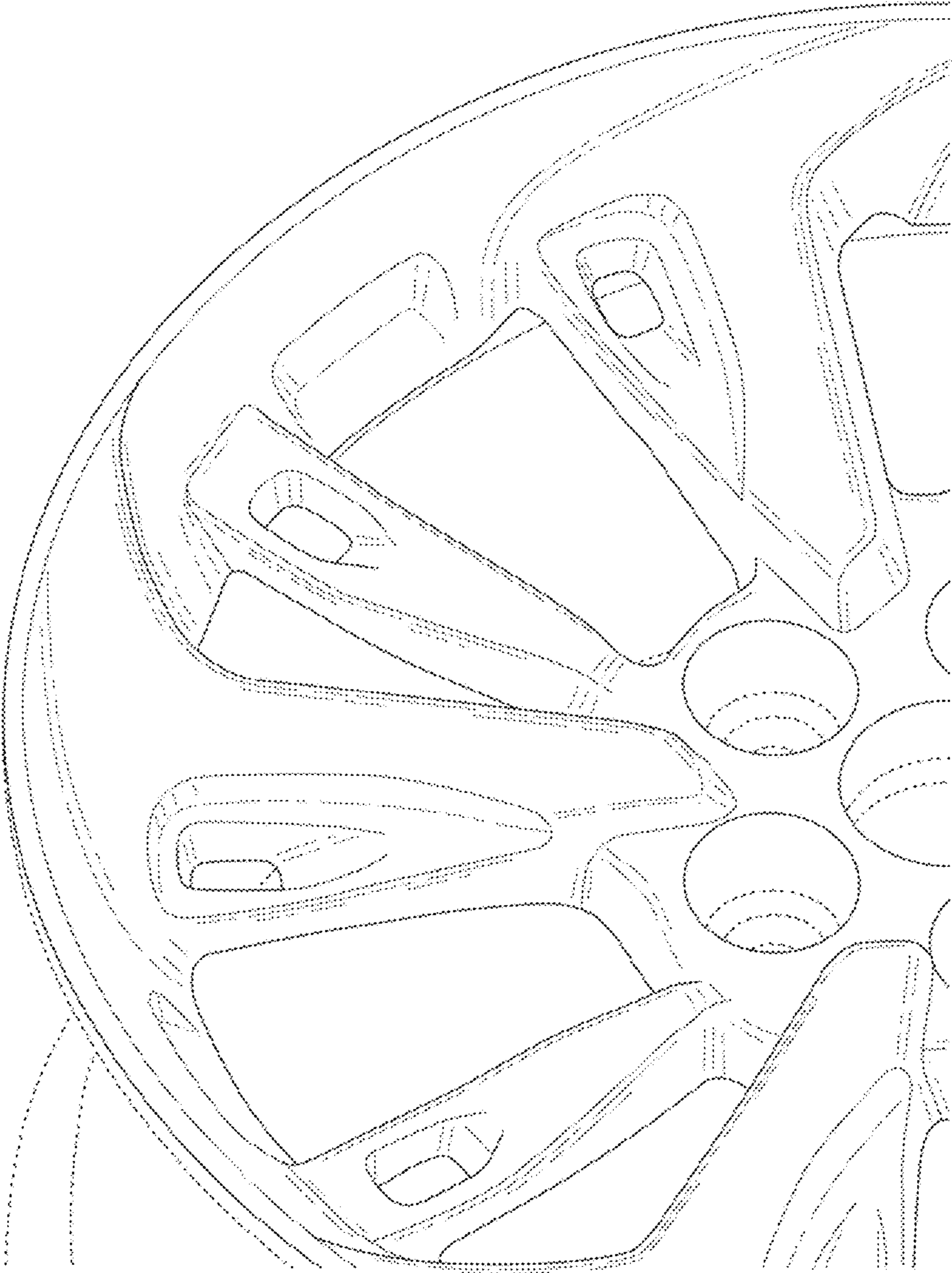


FIG.2

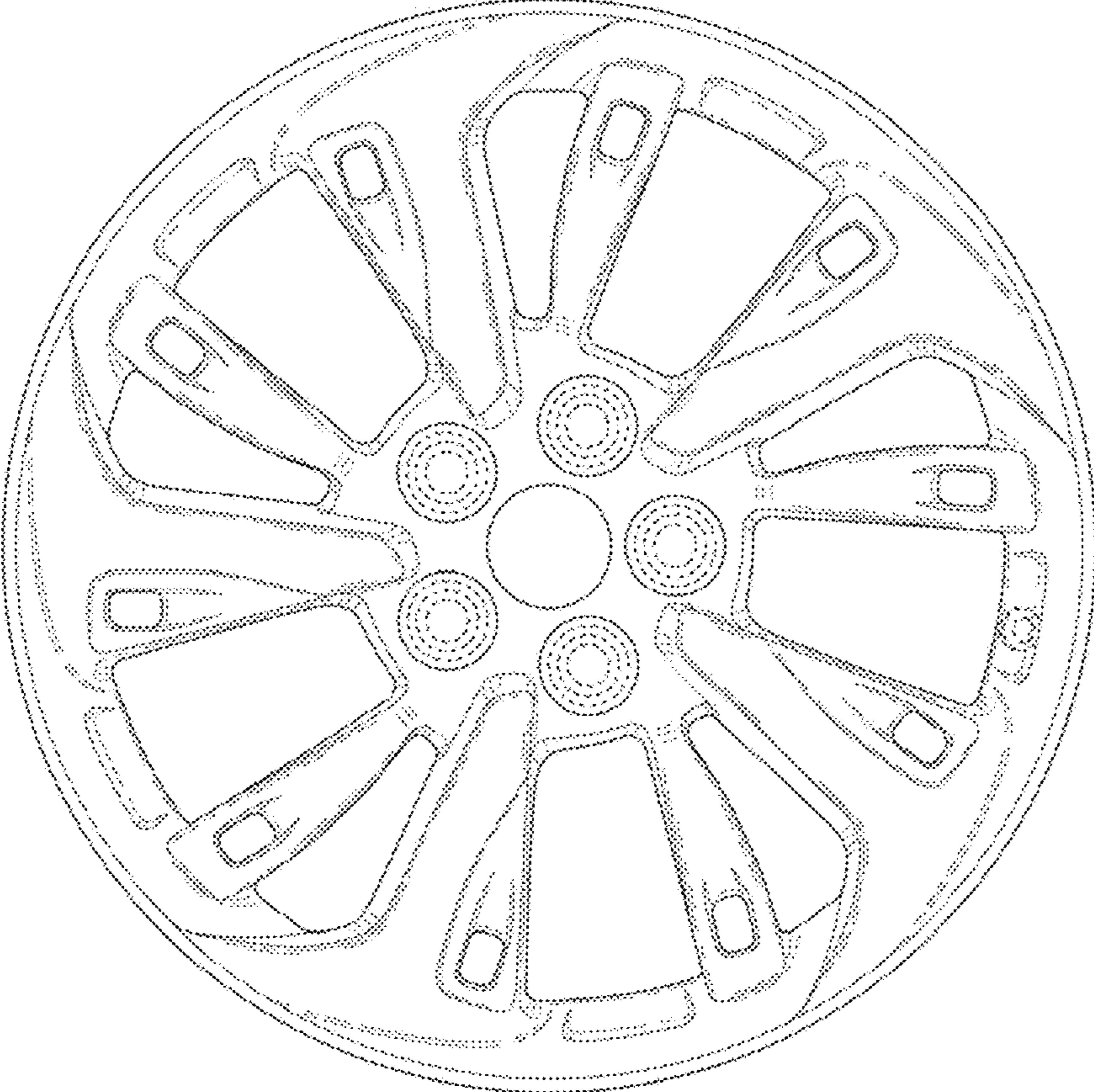


FIG.3