



US00D781198S

(12) **United States Design Patent**
Owens et al.

(10) **Patent No.:** **US D781,198 S**
(45) **Date of Patent:** **** Mar. 14, 2017**

(54) **AUTOMOBILE WHEEL**

(71) Applicants: **John S Owens**, Pleasant Ridge, MI (US); **Vincent J Galante**, Lake Orion, MI (US); **Mark T Allen**, Oxford, MI (US)

(72) Inventors: **John S Owens**, Pleasant Ridge, MI (US); **Vincent J Galante**, Lake Orion, MI (US); **Mark T Allen**, Oxford, MI (US)

(73) Assignee: **FCA US LLC**, Auburn Hills, MI (US)

(**) Term: **15 Years**

(21) Appl. No.: **29/555,534**

(22) Filed: **Feb. 23, 2016**

(51) **LOC (10) Cl.** **12-16**

(52) **U.S. Cl.**
USPC **D12/209**

(58) **Field of Classification Search**
USPC D12/204–213
CPC B60B 7/00; B60B 7/02; B60B 7/04; B60B 7/01; B60B 7/06; B60B 3/02; B60B 3/04; B60B 3/06; B60B 3/10; B60B 1/00; B60B 1/08; B60B 1/10; B60B 1/12
See application file for complete search history.

(56) **References Cited**

U.S. PATENT DOCUMENTS

D426,184 S * 6/2000 Goplen D12/209
D455,993 S * 4/2002 Ayoub D12/211
D530,252 S * 10/2006 Gabath D12/209

D560,585 S * 1/2008 Blasi D12/209
D585,805 S * 2/2009 Friedrich D12/209
D618,152 S * 6/2010 Juergens D12/209
D644,587 S * 9/2011 Gotschke D12/209
D660,762 S * 5/2012 Gabath D12/209
D673,092 S * 12/2012 Platto D12/209
D673,096 S * 12/2012 Platto D12/209
D683,684 S * 6/2013 Campbell D12/209
D730,795 S * 6/2015 Mays D12/209
D734,704 S * 7/2015 Juergens D12/211
D738,804 S * 9/2015 George D12/209
D750,543 S * 3/2016 Behmer D12/209
D753,043 S * 4/2016 Pollmann D12/209
D754,582 S * 4/2016 Kobayashi D12/209
D757,624 S * 5/2016 Hammoud D12/209
D760,140 S * 6/2016 Chung D12/209
D761,181 S * 7/2016 Bucher D12/209
D763,760 S * 8/2016 Gale D12/209
D763,764 S * 8/2016 Dunford D12/209

* cited by examiner

Primary Examiner — Stacia Cadmus

(74) *Attorney, Agent, or Firm* — Ralph E Smith

(57) **CLAIM**

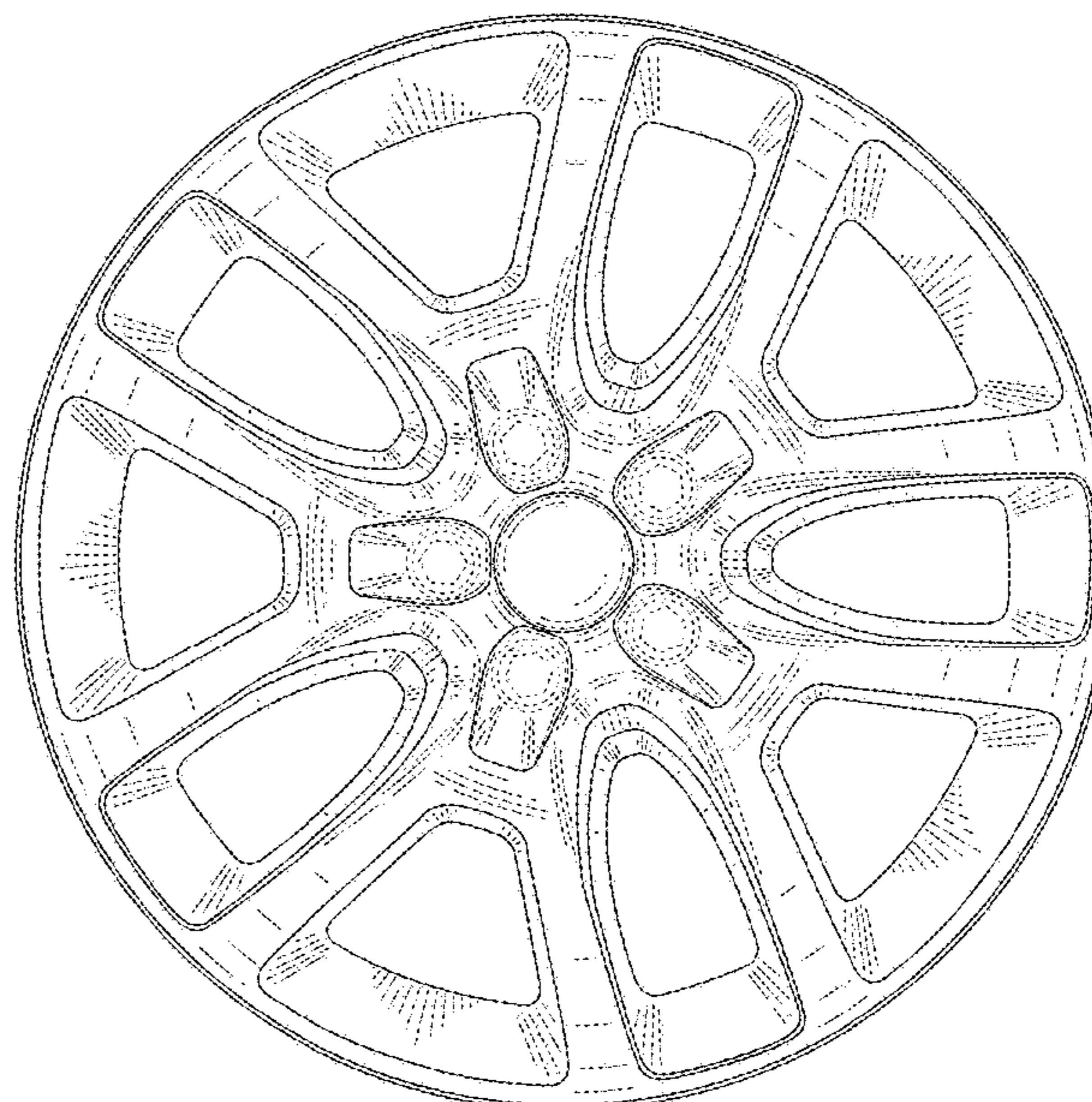
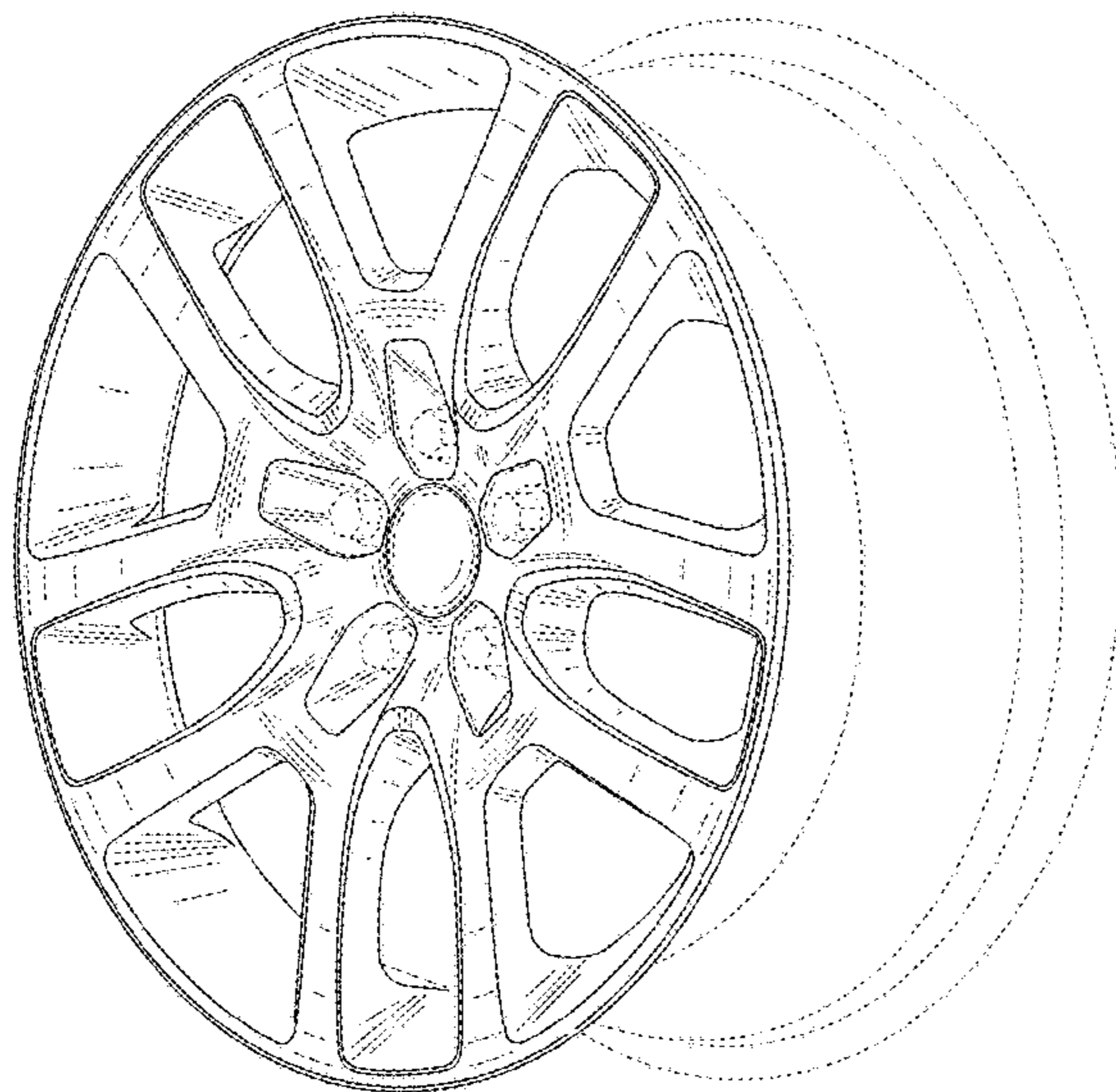
The ornamental design for an automobile wheel, as shown and described.

DESCRIPTION

FIG. 1 is a left side perspective view of an automobile wheel showing our new design; FIG. 2 is a right side perspective view thereof; and, FIG. 3 is a front view.

It will be understood that the broken lines shown in the drawings illustrate portions of the automobile wheel that form no part of claimed design.

1 Claim, 3 Drawing Sheets



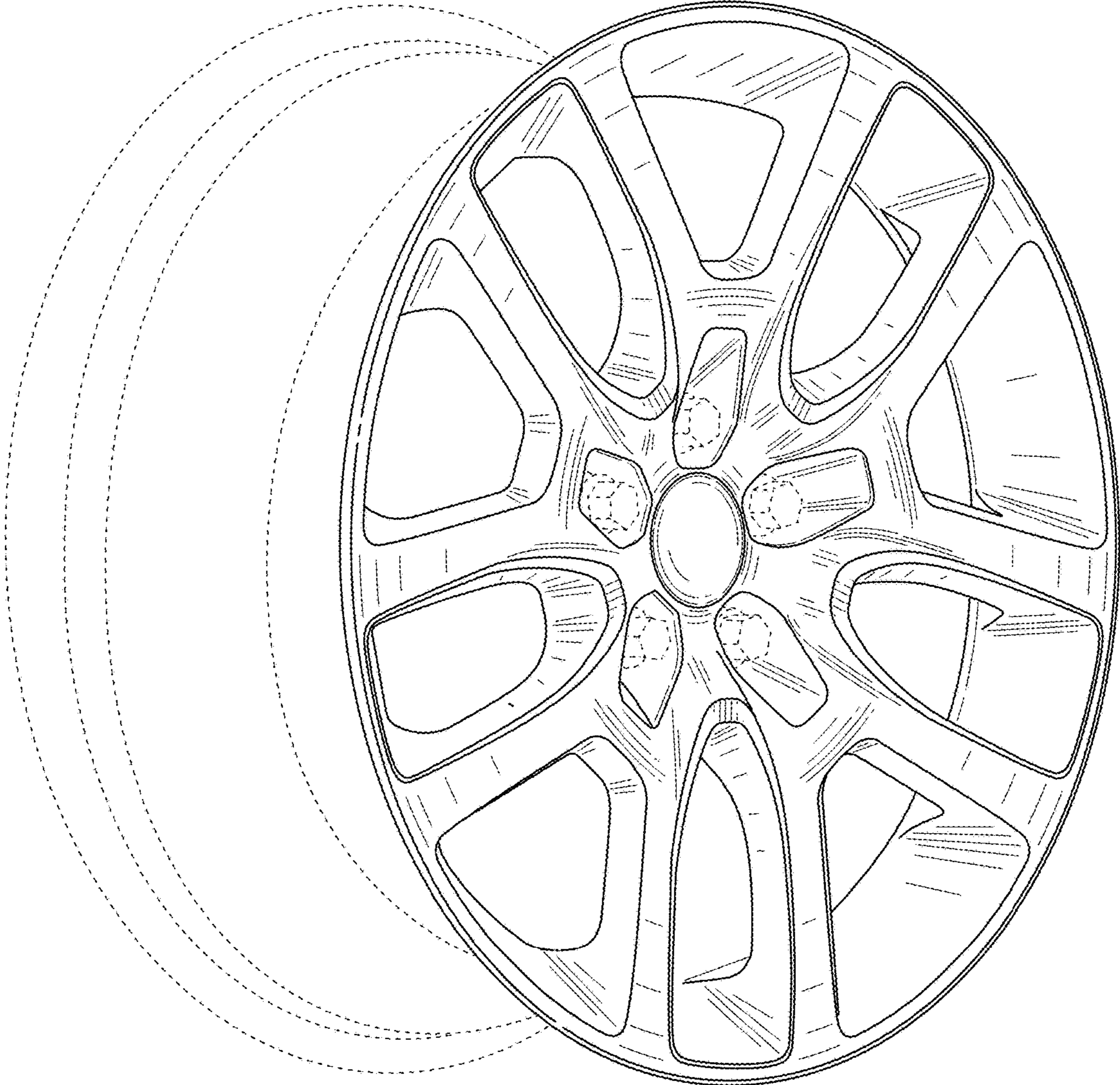


FIG. 1

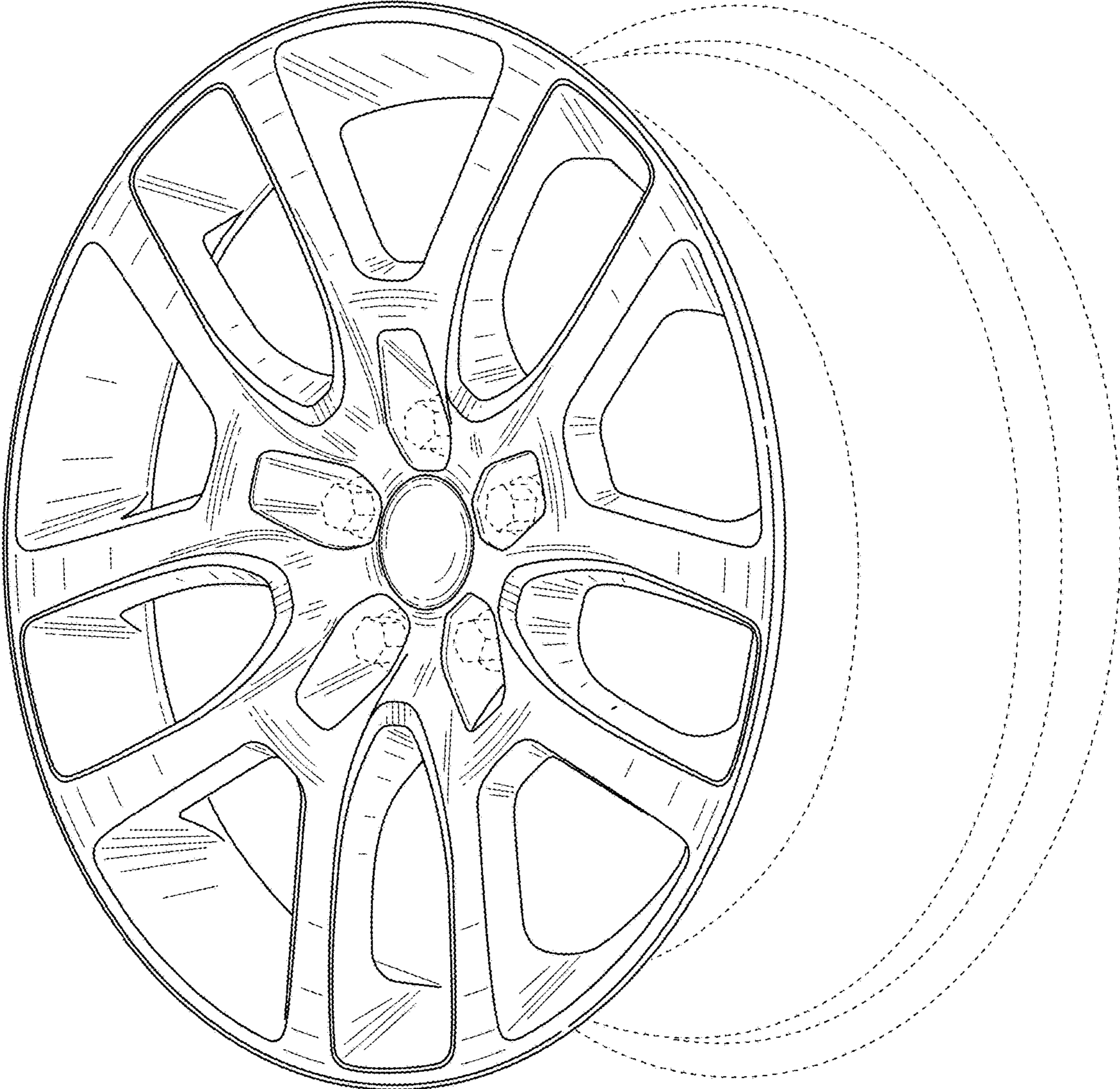


FIG. 2

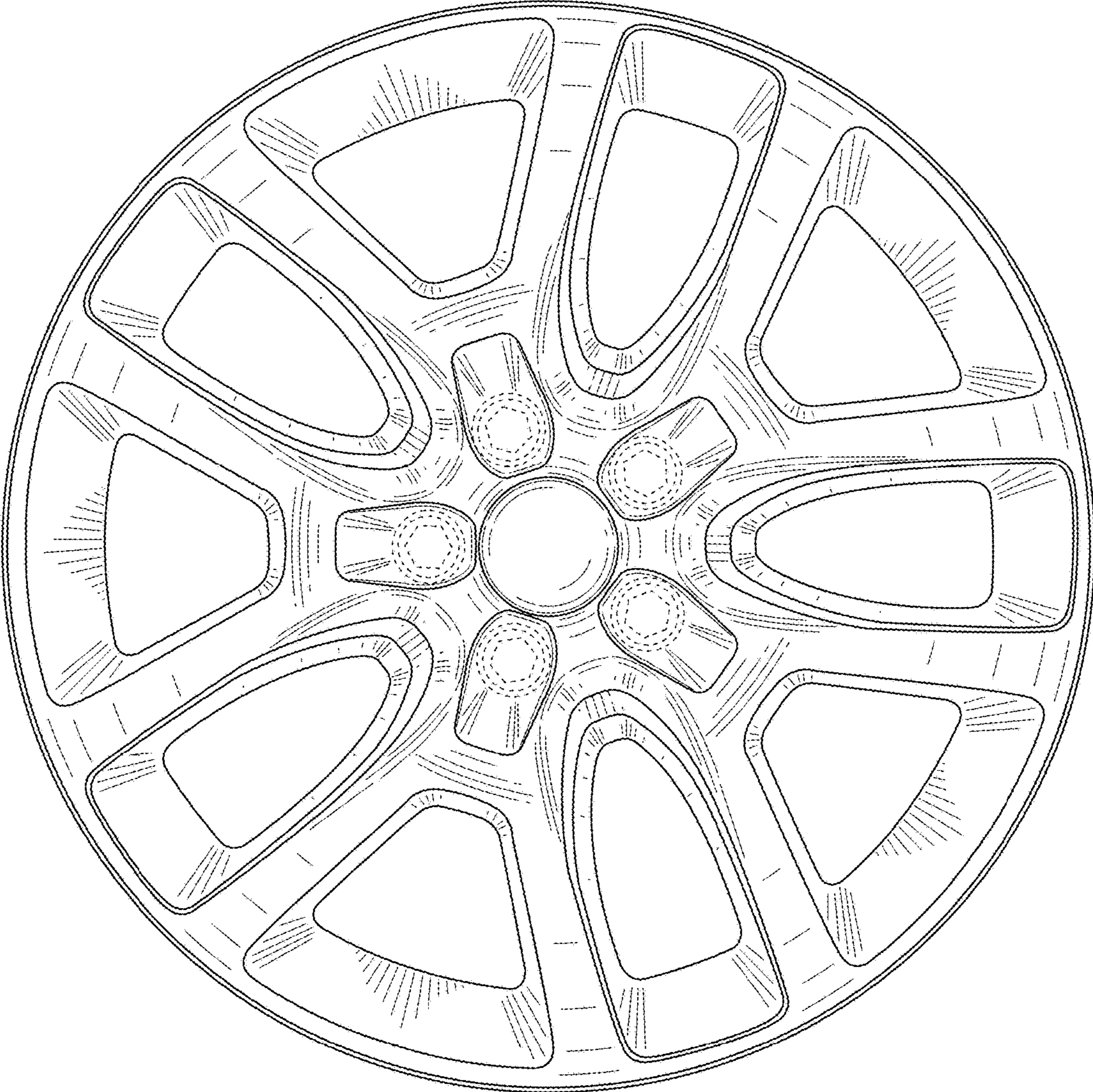


FIG. 3