



US00D781197S

(12) **United States Design Patent**
Ninov et al.

(10) **Patent No.:** **US D781,197 S**
(45) **Date of Patent:** **** Mar. 14, 2017**

(54) **AUTOMOBILE WHEEL**

(71) Applicants: **Deyan Ninov**, Royal Oak, MI (US);
Gregory Howell, Farmington, MI (US)

(72) Inventors: **Deyan Ninov**, Royal Oak, MI (US);
Gregory Howell, Farmington, MI (US)

(73) Assignee: **FCA US LLC**, Auburn Hills, MI (US)

(**) Term: **15 Years**

(21) Appl. No.: **29/555,530**

(22) Filed: **Feb. 23, 2016**

(51) **LOC (10) Cl.** **12-16**

(52) **U.S. Cl.**
USPC **D12/209**

(58) **Field of Classification Search**
USPC D12/204-213
CPC B60B 7/00; B60B 7/02; B60B 7/04; B60B
7/01; B60B 7/06; B60B 3/02; B60B 3/04;
B60B 3/06; B60B 3/10; B60B 1/00;
B60B 1/08; B60B 1/10; B60B 1/12
See application file for complete search history.

(56) **References Cited**

U.S. PATENT DOCUMENTS

D465,186 S * 11/2002 Chung D12/211
D526,265 S * 8/2006 Muzzarelli D12/209

D625,238 S * 10/2010 Zhao D12/209
D686,961 S * 7/2013 Chung D12/209
D709,426 S * 7/2014 Kong D12/209
D712,330 S * 9/2014 Chung D12/209
D715,719 S * 10/2014 Platto D12/209
D732,449 S * 6/2015 Grake D12/209
D754,046 S * 4/2016 Chung D12/209
D756,281 S * 5/2016 Chung D12/209
D760,140 S * 6/2016 Chung D12/209
D767,465 S * 9/2016 Liffick D12/209

* cited by examiner

Primary Examiner — Stacia Cadmus

(74) *Attorney, Agent, or Firm* — Ralph E Smith

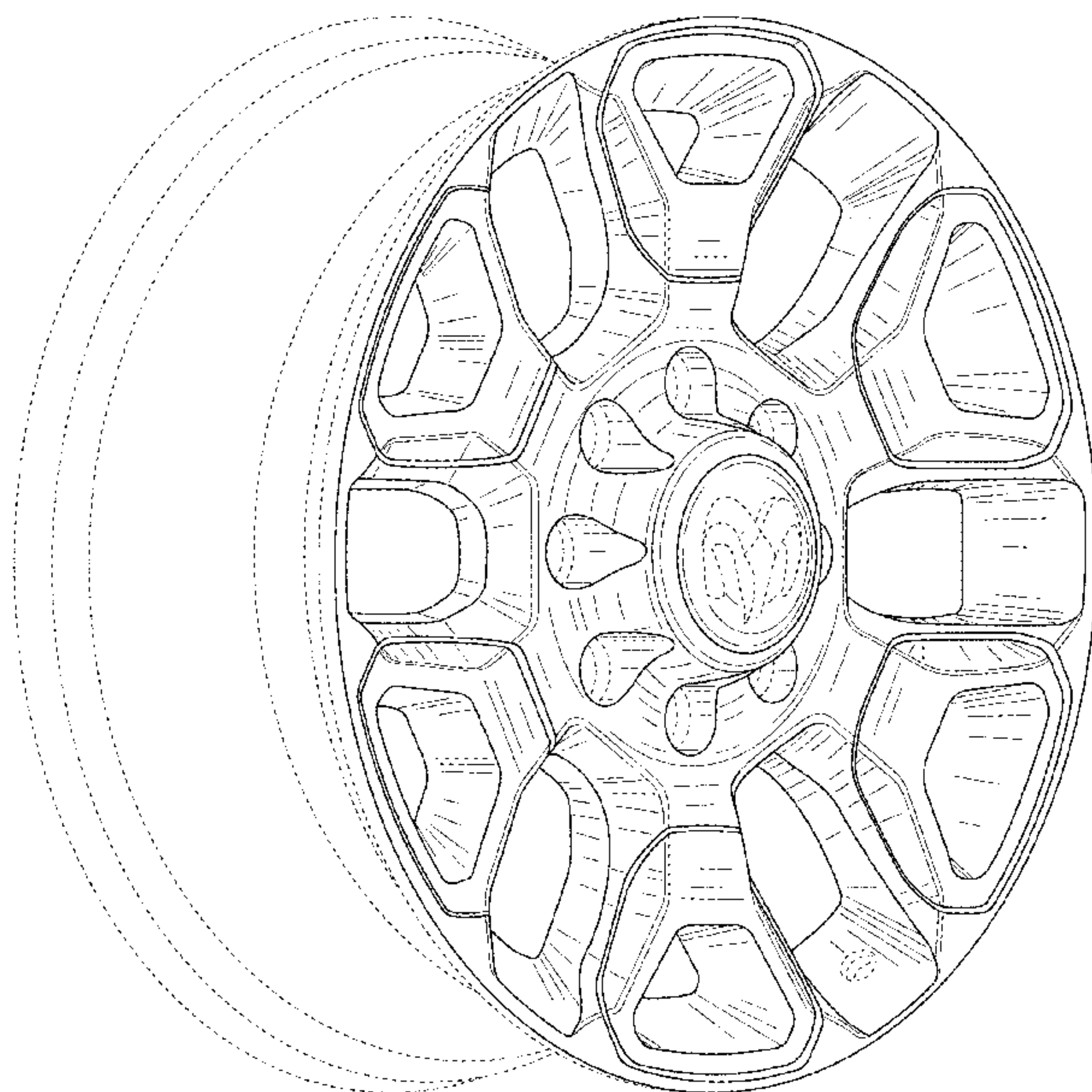
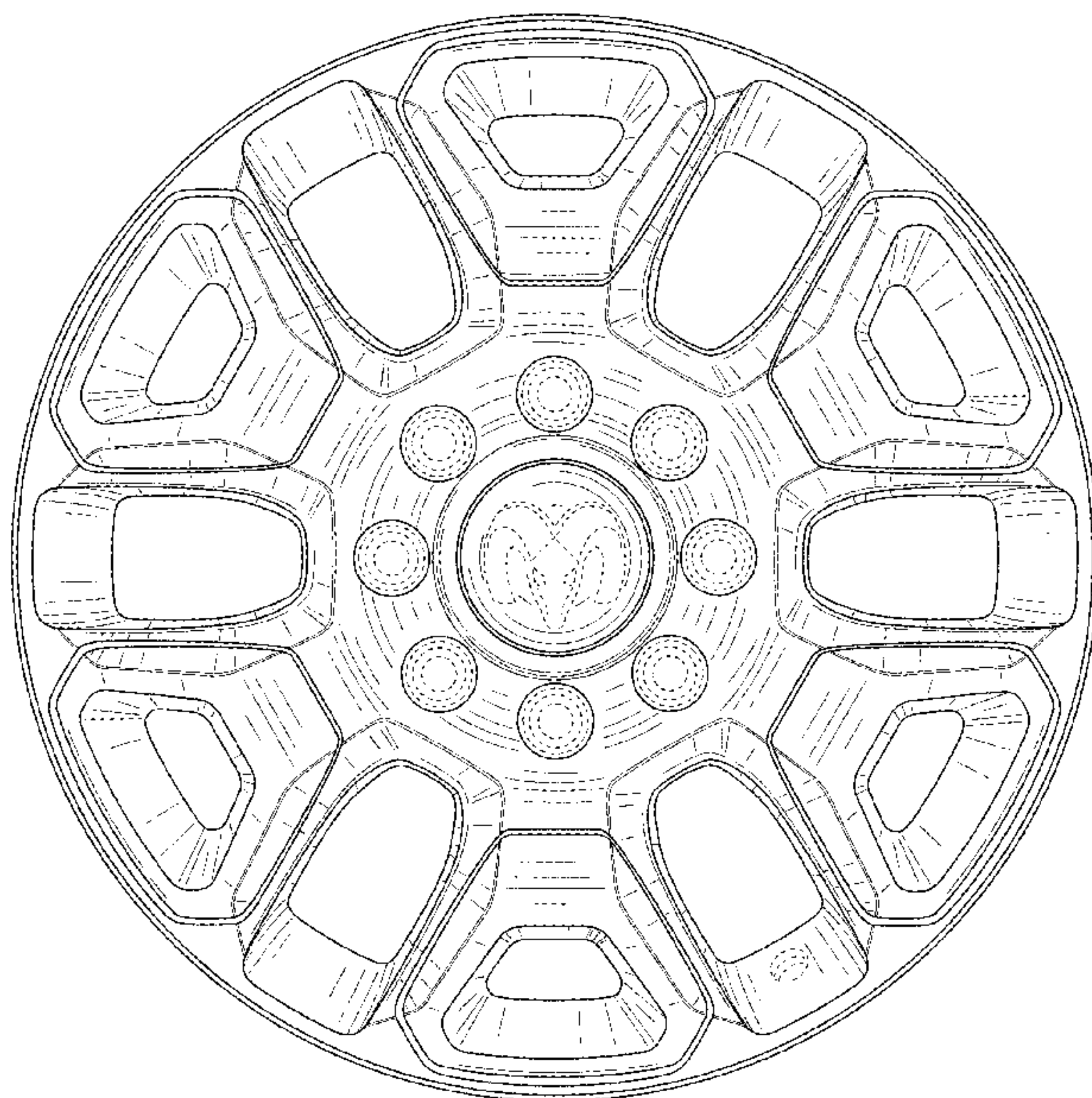
(57) **CLAIM**

The ornamental design for an automobile wheel, as shown and described.

DESCRIPTION

FIG. 1 is a front view of an automobile wheel showing our new design;
FIG. 2 is a right side perspective view thereof; and,
FIG. 3 is a left side perspective view.
It will be understood that the broken lines shown in the drawings illustrate portions of the automobile wheel that form no part of claimed design.

1 Claim, 3 Drawing Sheets



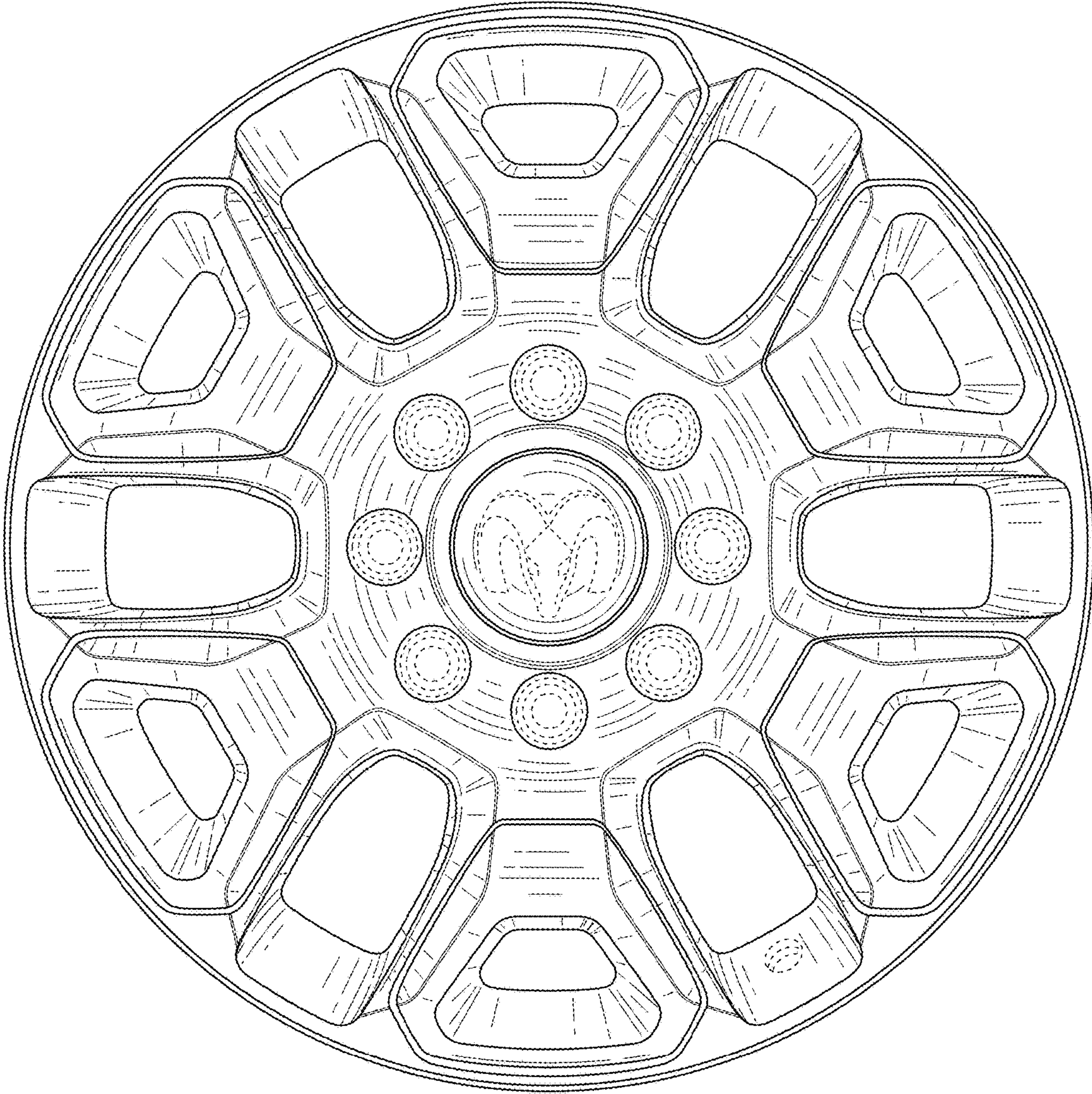


FIG. 1

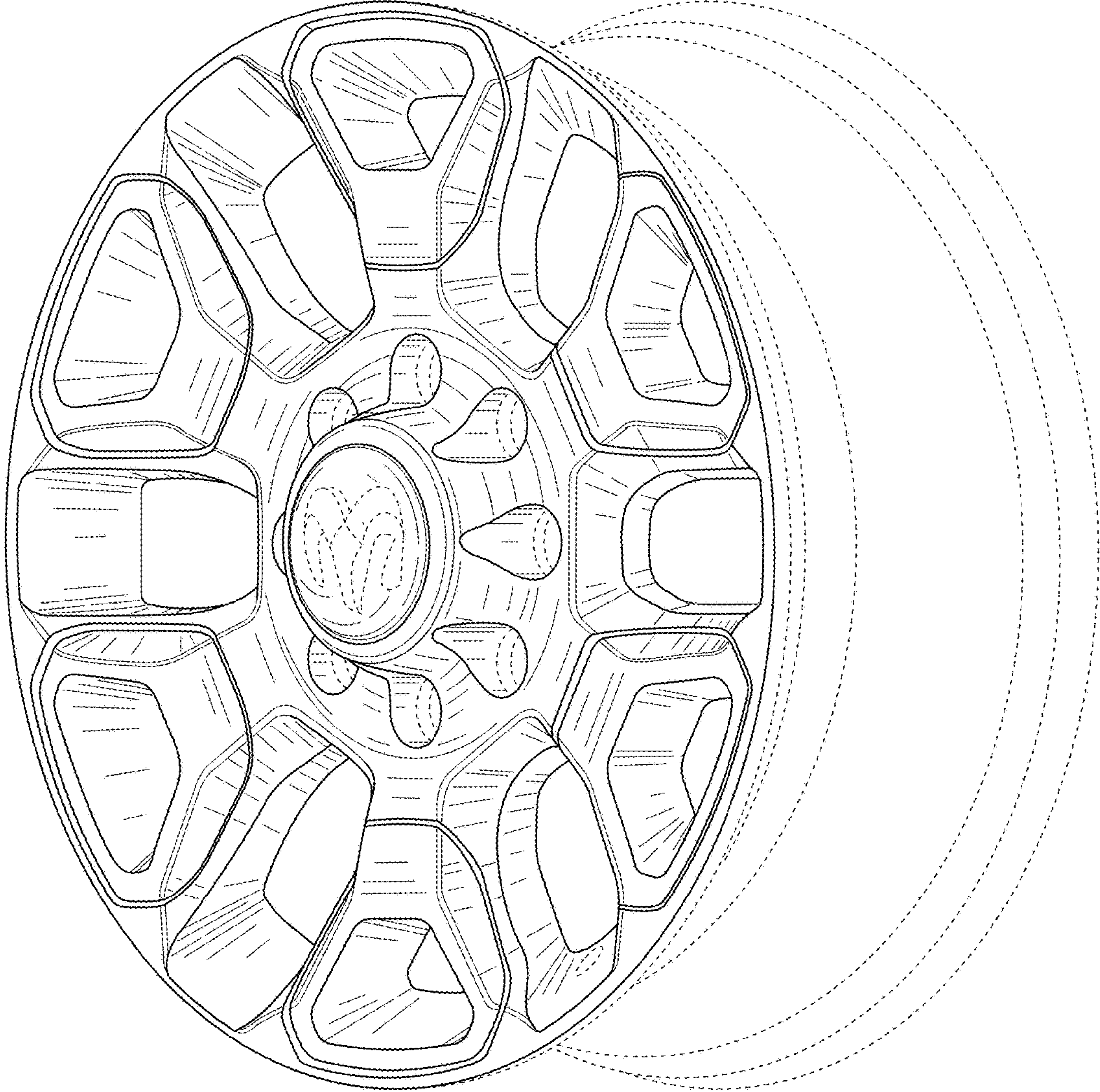


FIG. 2

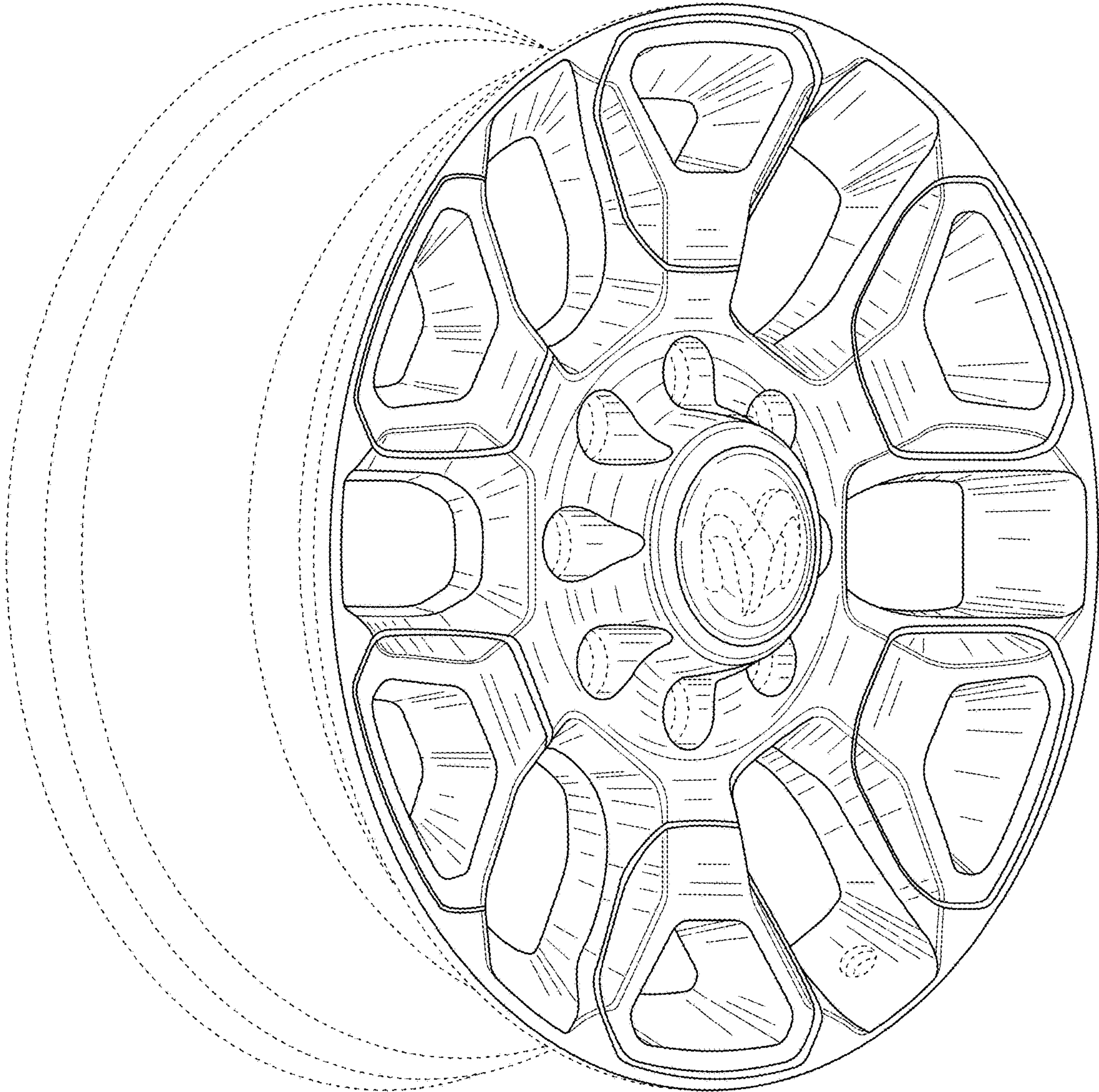


FIG. 3