



US00D781196S

(12) **United States Design Patent**
Youn

(10) **Patent No.:** **US D781,196 S**
(45) **Date of Patent:** **** Mar. 14, 2017**

(54) **WHEEL**

(71) Applicant: **Faraday & Future Inc.**, Gardena, CA (US)

(72) Inventor: **Hanbin Youn**, Los Angeles, CA (US)

(73) Assignee: **Faraday & Future Inc.**, Gardena, CA (US)

(**) Term: **15 Years**

(21) Appl. No.: **29/550,058**

(22) Filed: **Dec. 30, 2015**

(51) **LOC (10) Cl.** **12-16**

(52) **U.S. Cl.**
USPC **D12/209**

(58) **Field of Classification Search**
USPC D12/204–213
CPC B60B 7/00; B60B 7/02; B60B 7/04; B60B 7/01; B60B 7/06; B60B 3/02; B60B 3/04; B60B 3/06; B60B 3/10; B60B 1/00; B60B 1/08; B60B 1/10; B60B 1/12
See application file for complete search history.

(56) **References Cited**

U.S. PATENT DOCUMENTS

D352,688 S	*	11/1994	Boselli	D12/211
D374,420 S	*	10/1996	Neeper	D12/209
D407,054 S	*	3/1999	Kelley	D12/209
D436,572 S	*	1/2001	Brown	D12/209
D458,889 S	*	6/2002	Fitzgerald	D12/209

D481,984 S	*	11/2003	Sulahian	D12/211
D500,279 S	*	12/2004	Kataoka	D12/211
D571,702 S	*	6/2008	Guidry	D12/209
D669,007 S	*	10/2012	Starr, Jr.	D12/209
D678,157 S	*	3/2013	Perini	D12/209
D769,165 S	*	10/2016	Choi	D12/209

* cited by examiner

Primary Examiner — Stacia Cadmus

(74) *Attorney, Agent, or Firm* — Knobbe, Martens, Olson & Bear LLP

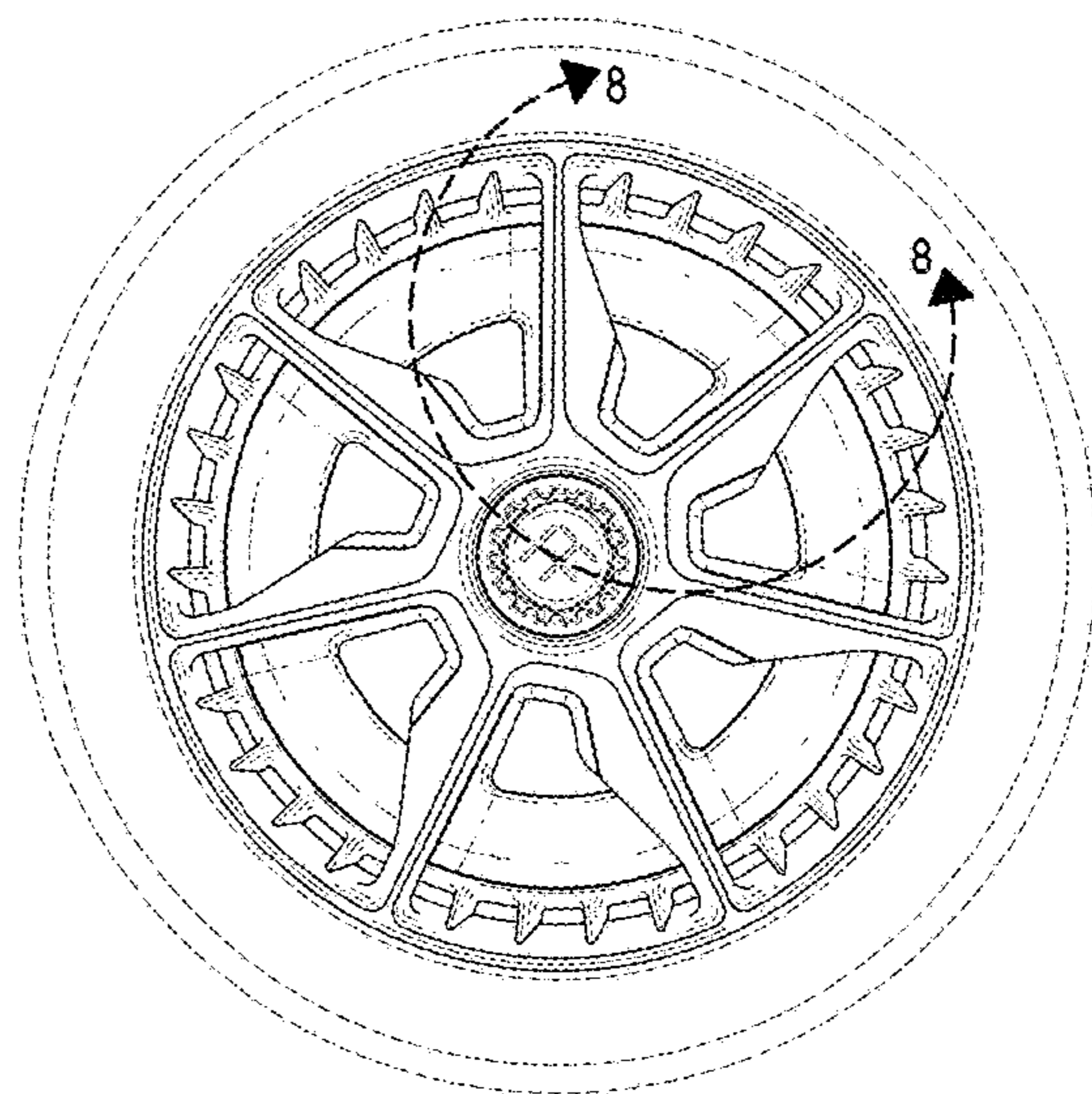
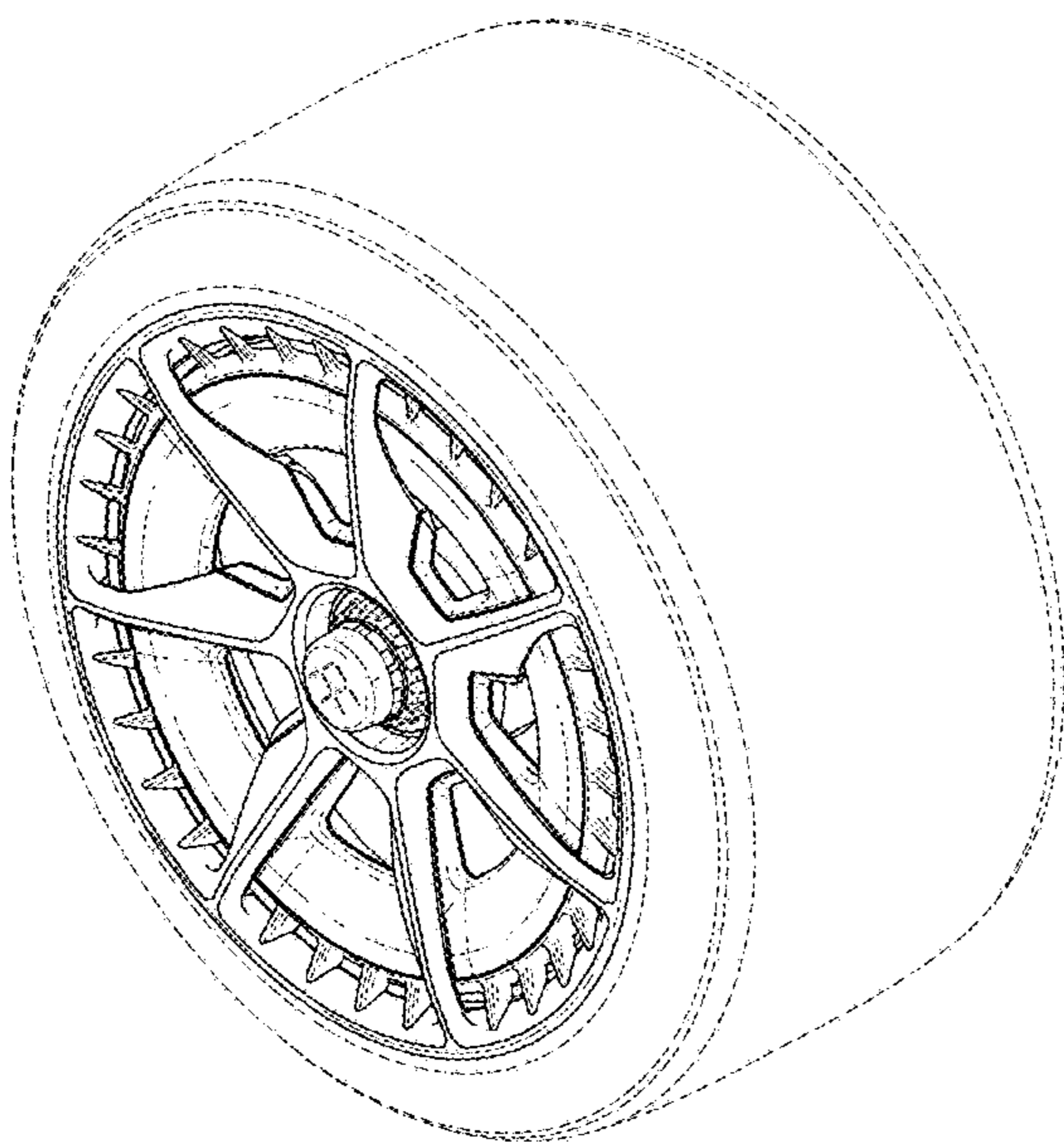
(57) **CLAIM**

The ornamental design for a wheel, as shown and described.

DESCRIPTION

FIG. 1 is a top, front, and right side perspective view of a wheel.
 FIG. 2 is a top, rear, and left side perspective view of the wheel of FIG. 1.
 FIG. 3 is a front elevation view of the wheel of FIG. 1.
 FIG. 4 is a left elevation view of the wheel of FIG. 1, the right side being a mirror image.
 FIG. 5 is a left side view of the wheel of FIG. 1.
 FIG. 6 is a top plan view of the wheel of FIG. 1.
 FIG. 7 is a bottom plan view of the wheel of FIG. 1; and, FIG. 8 is enlarged fragmentary front elevation view of the circled portion of the wheel of FIG. 3.
 The broken lines in the drawings depict environmental structure and form no part of the claimed design.

1 Claim, 7 Drawing Sheets



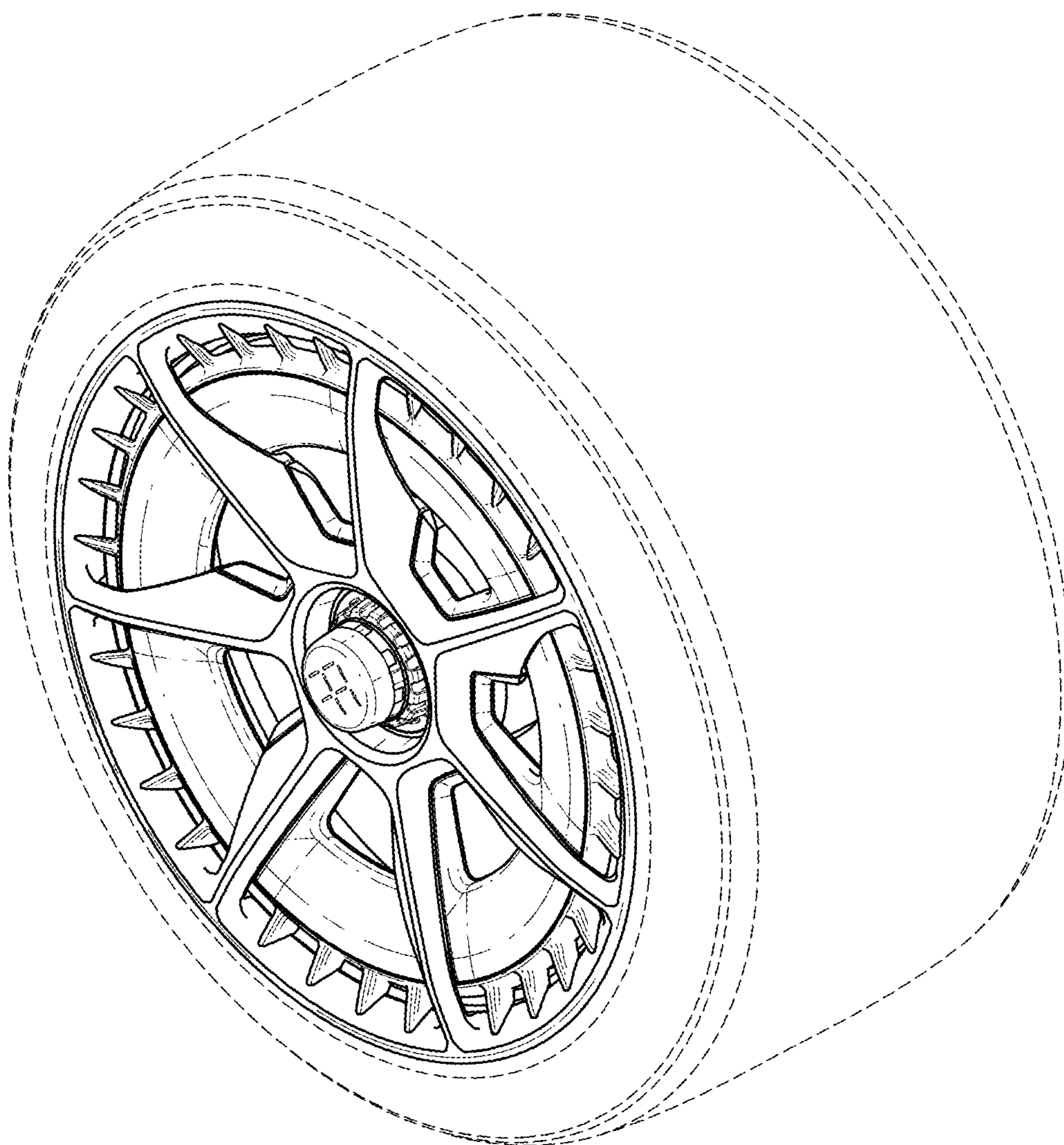


FIG. 1

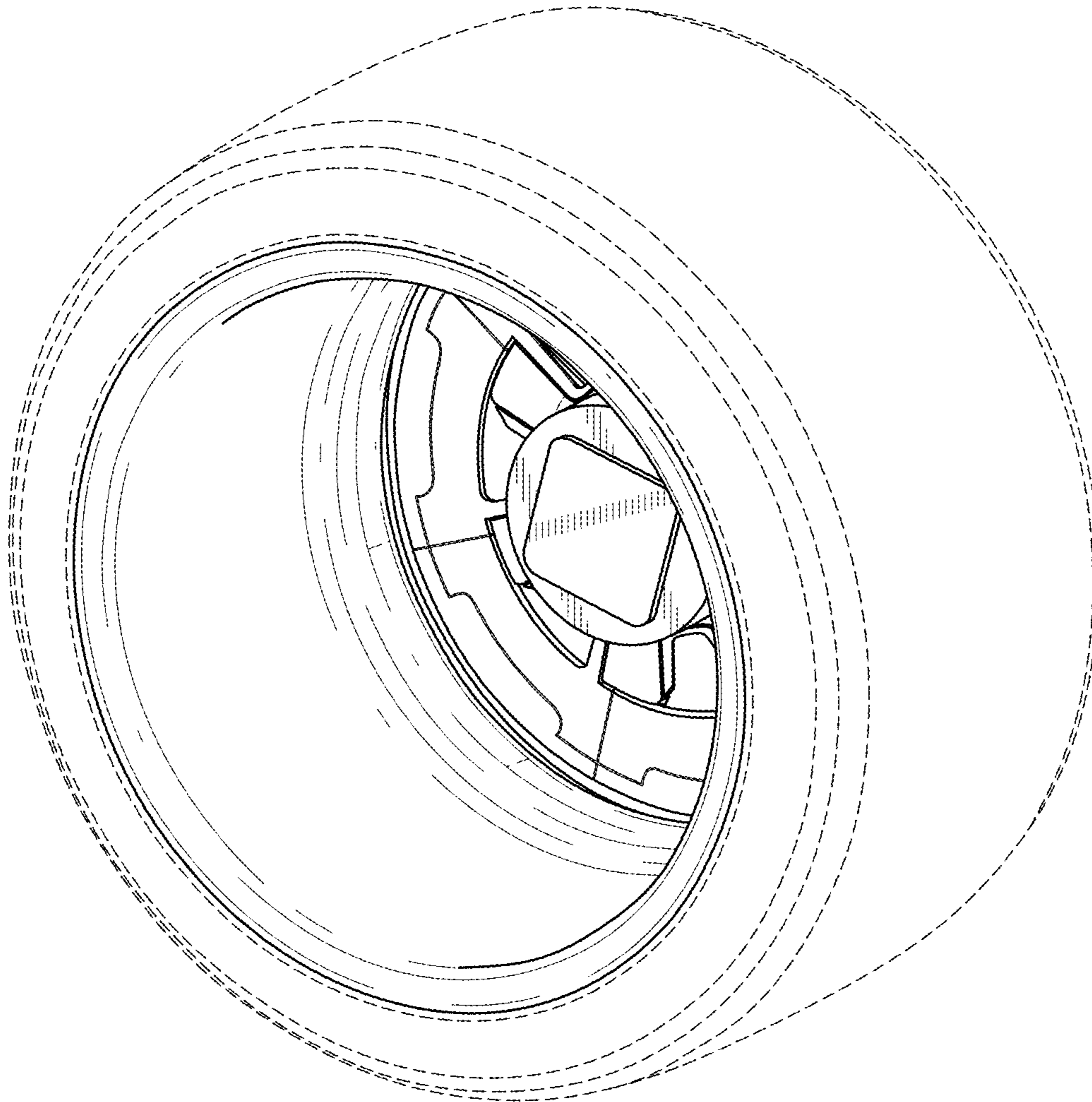


FIG. 2

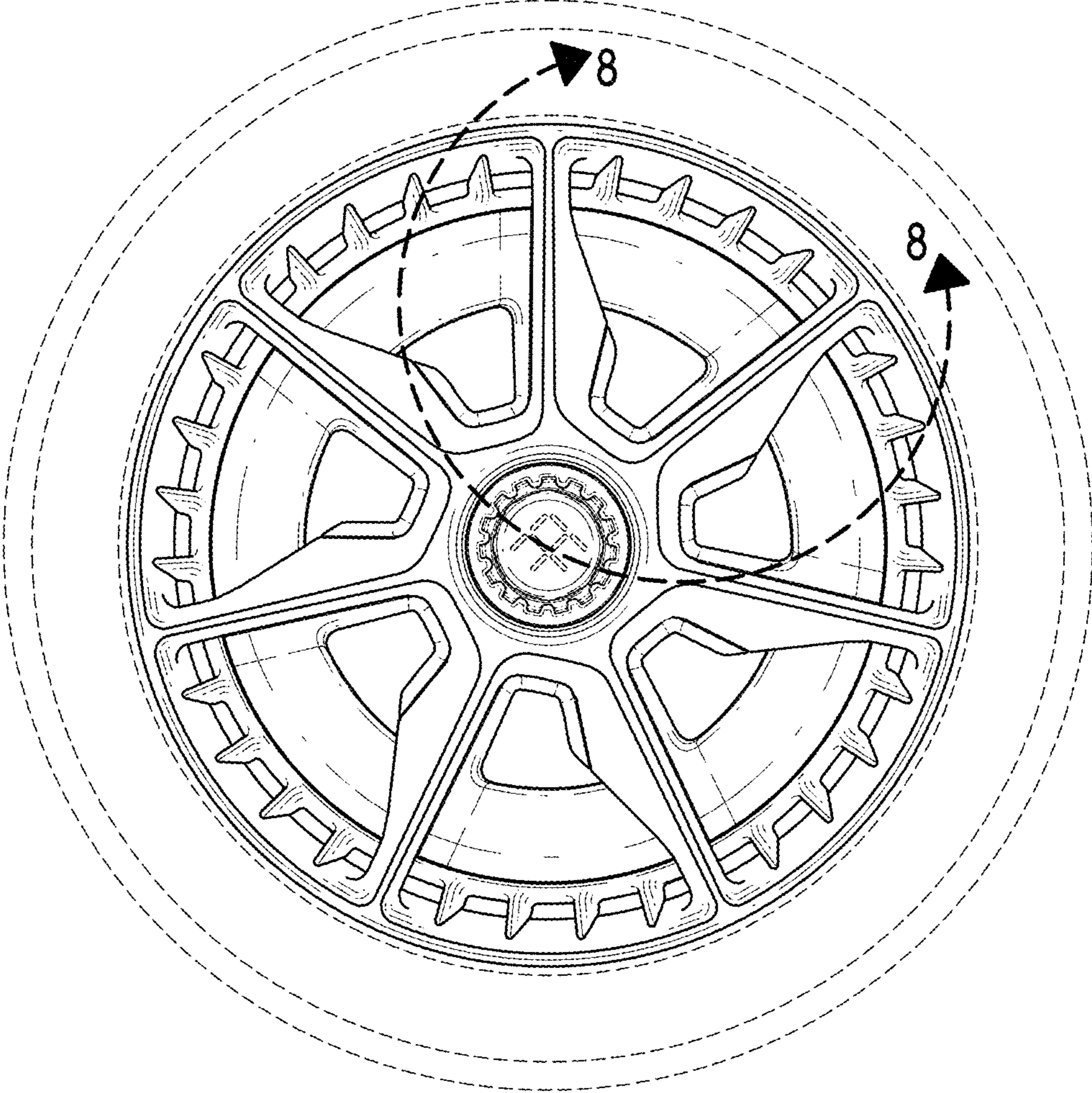


FIG. 3

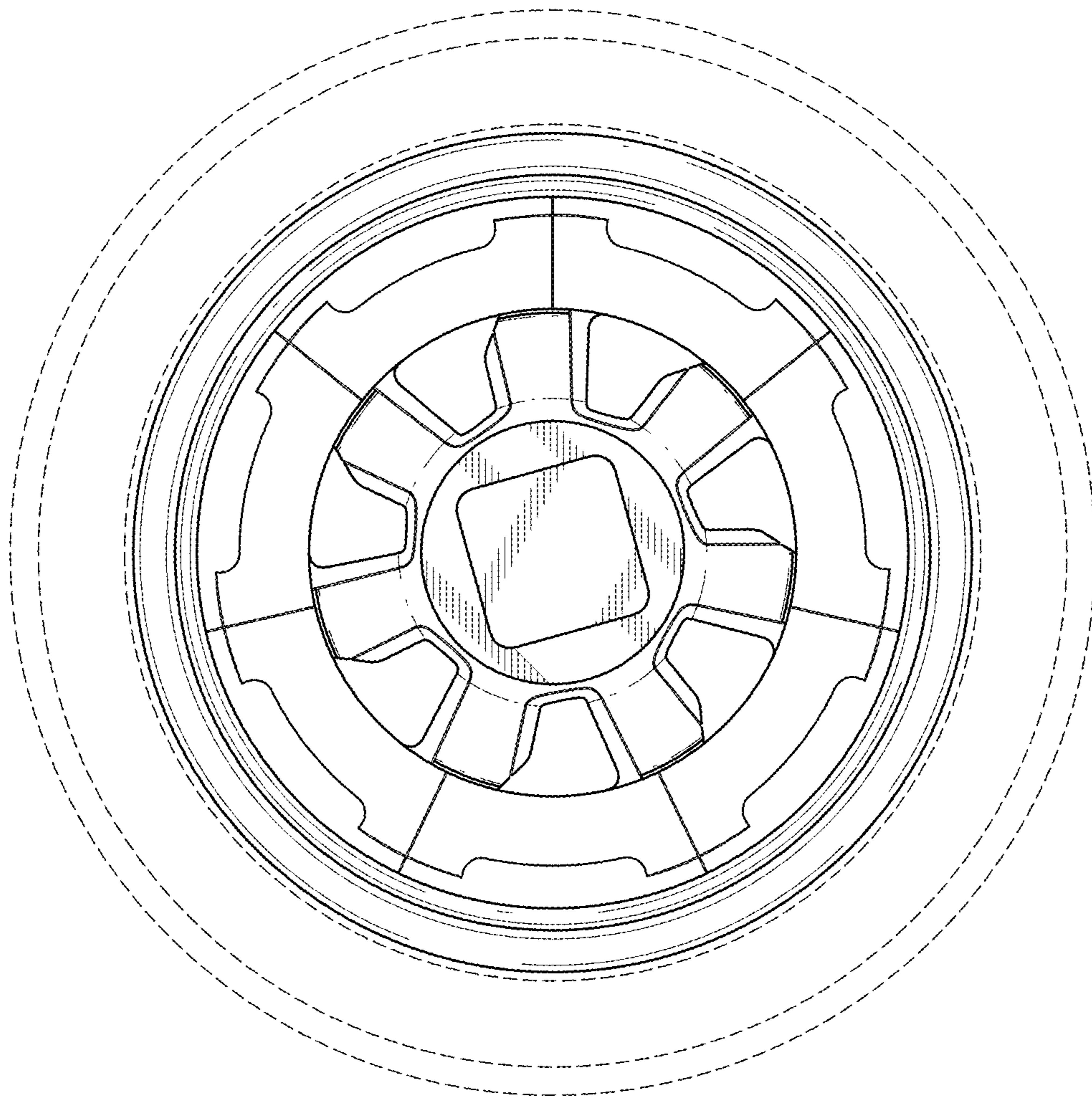


FIG. 4

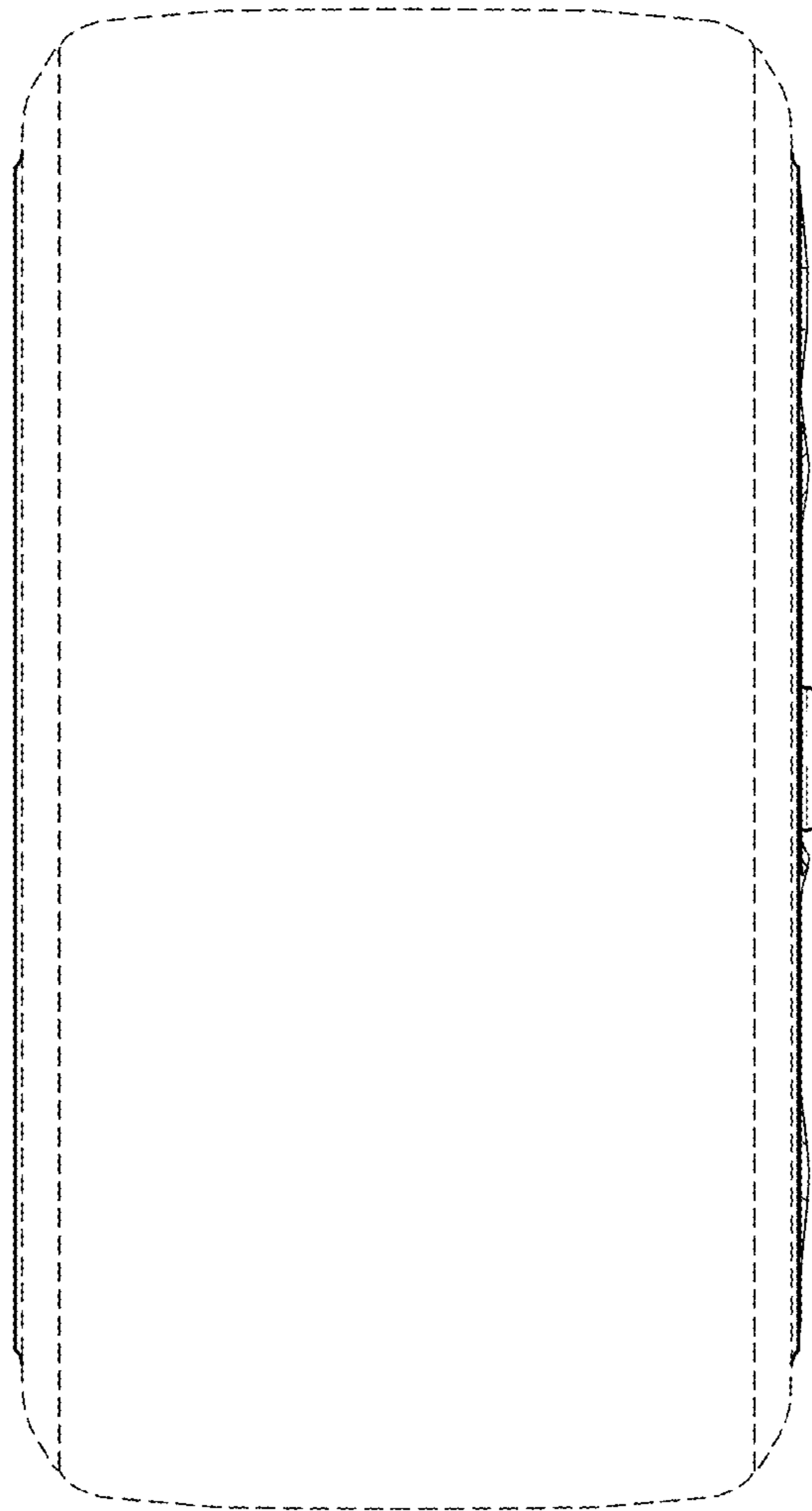


FIG. 5

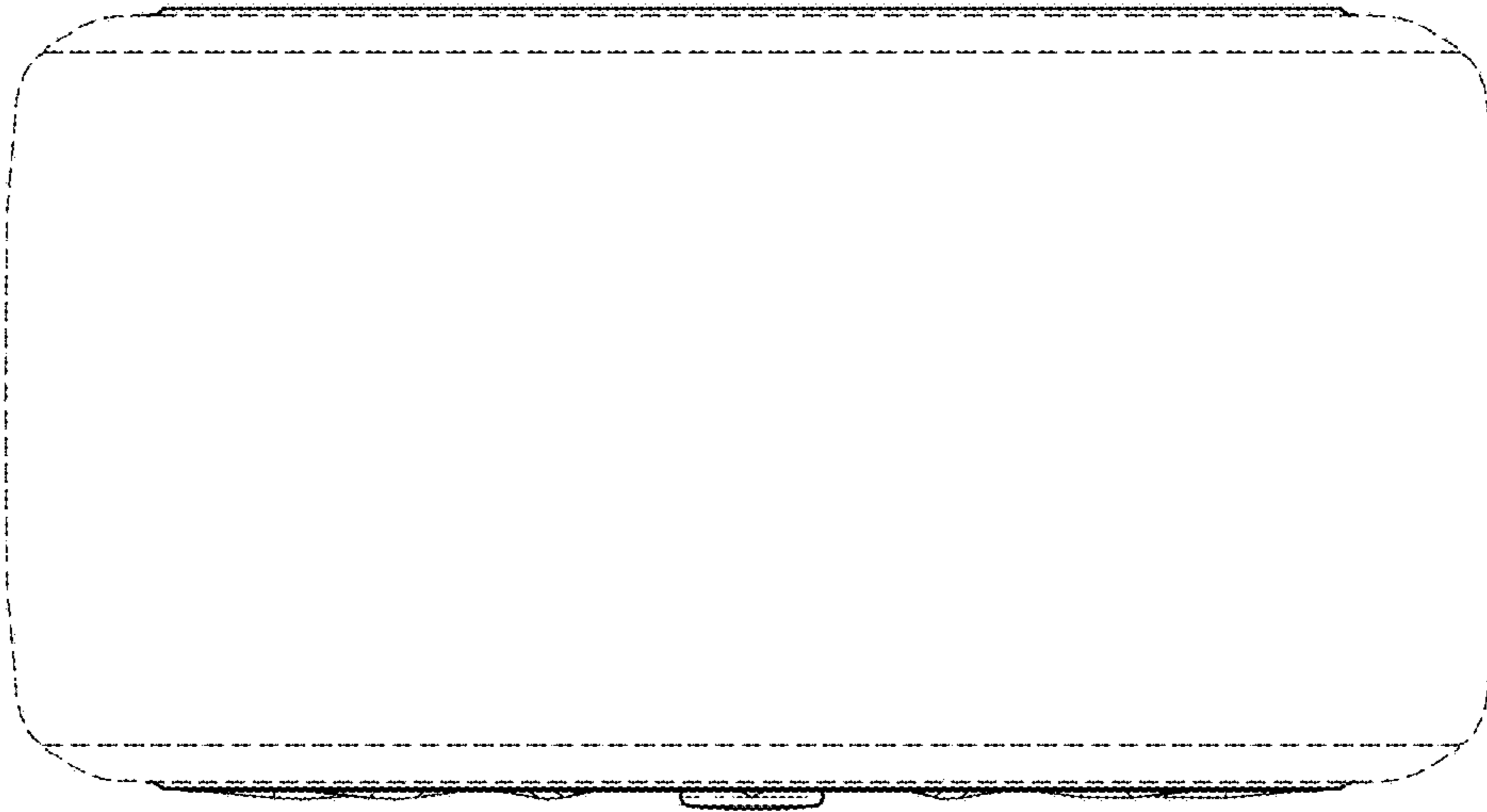


FIG. 6

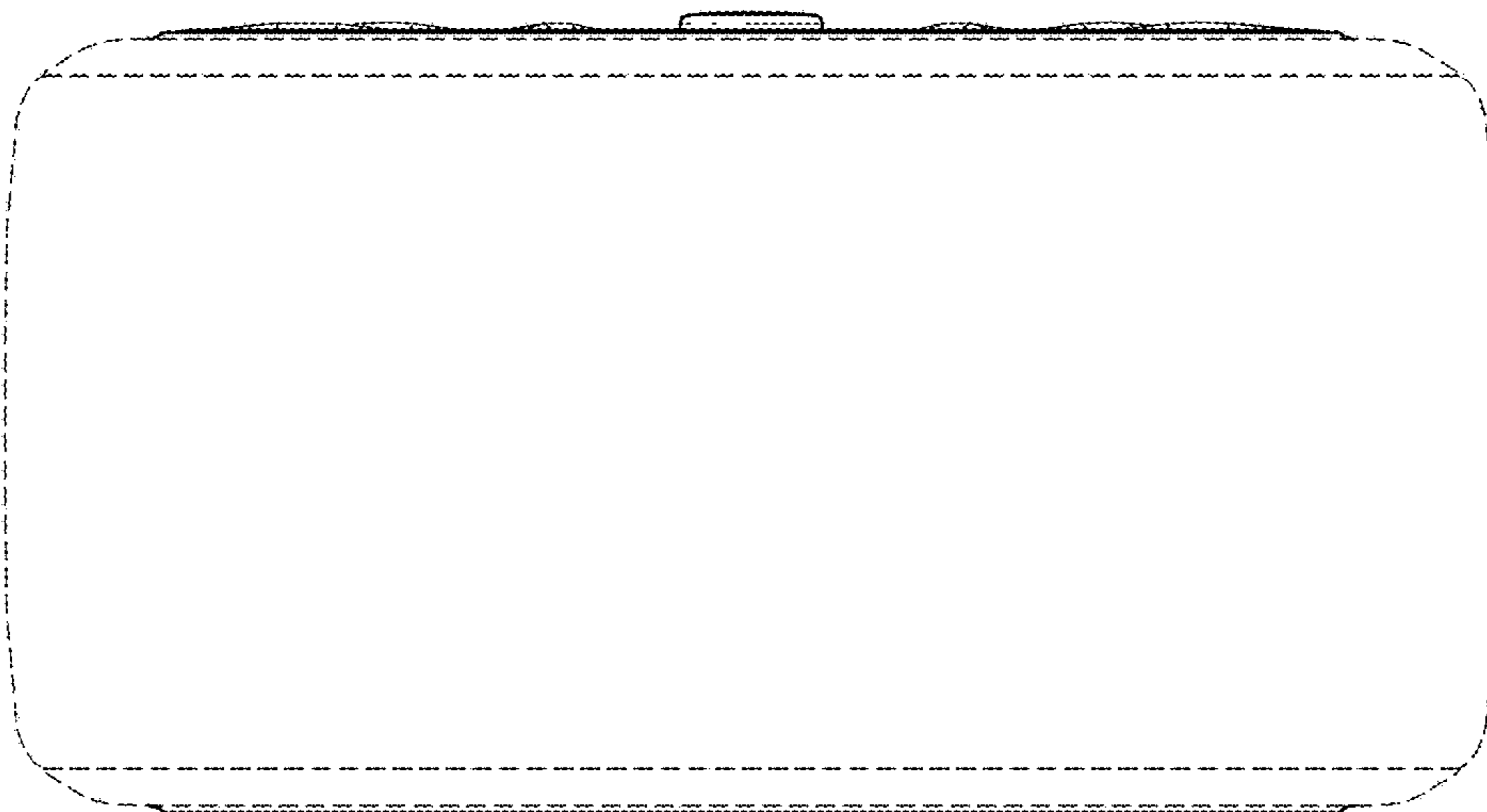


FIG. 7

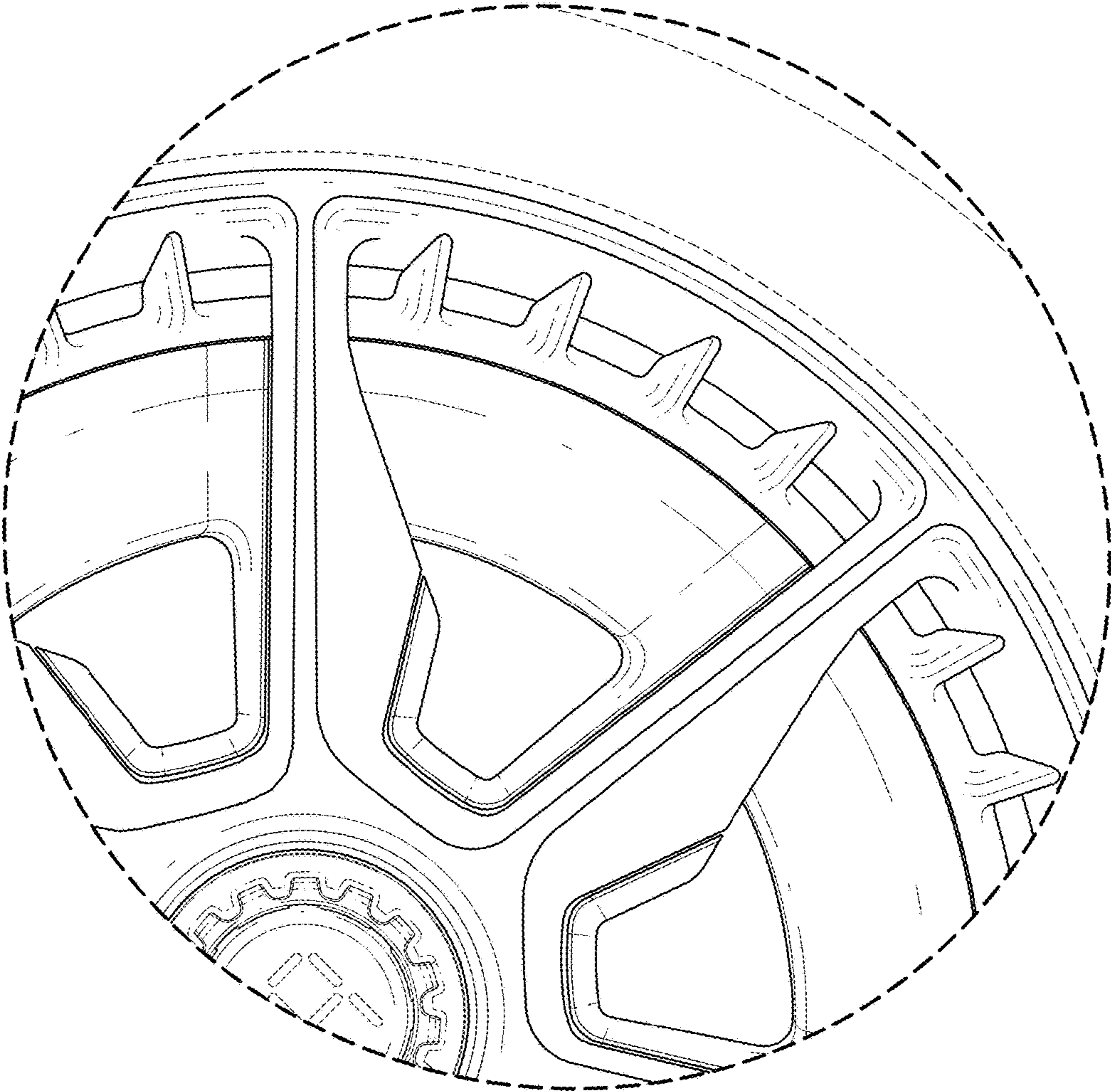


FIG. 8